

US00D967701S

(12) **United States Design Patent**  
**Huang**

(10) **Patent No.:** **US D967,701 S**

(45) **Date of Patent:** **\*\* Oct. 25, 2022**

(54) **OVER THE DOOR DOUBLE HANGER**

(71) Applicant: **SHENZHEN HAILAI TECHNOLOGY CO., LTD**, Shenzhen (CN)

(72) Inventor: **Weidan Huang**, Shenzhen (CN)

(73) Assignee: **SHENZHEN HAILAI TECHNOLOGY CO., LTD**, Shenzhen (CN)

(\*\*) Term: **15 Years**

(21) Appl. No.: **29/777,041**

(22) Filed: **Apr. 2, 2021**

(51) **LOC (13) Cl.** ..... **08-03**

(52) **U.S. Cl.**  
USPC ..... **D8/370**

(58) **Field of Classification Search**  
USPC ..... D8/373, 358, 359, 354, 370, 71, 330,  
D8/336, 351, 356, 360.1, 363, 364, 367,  
D8/372, 379, 381, 382, 395, 396;  
D6/349, 352  
See application file for complete search history.

(56) **References Cited**

**U.S. PATENT DOCUMENTS**

D387,569 S \* 12/1997 Goodman ..... D8/372  
D396,371 S \* 7/1998 Oliver ..... D8/367

D422,199 S \* 4/2000 Snell ..... D8/372  
D591,143 S \* 4/2009 Ernst ..... D8/372  
D613,586 S \* 4/2010 Goodman ..... D8/367  
D646,960 S \* 10/2011 Goodman ..... D8/372  
D680,421 S \* 4/2013 Martin et al.  
D700,044 S \* 2/2014 Goodman ..... D8/367  
D712,240 S \* 9/2014 Bracegirdle ..... D8/384  
D734,134 S \* 7/2015 Bauerle  
D794,431 S \* 8/2017 Goodman ..... D8/372  
D913,777 S \* 3/2021 Liu ..... D8/370  
D913,778 S \* 3/2021 Huang ..... D8/367

\* cited by examiner

*Primary Examiner* — Khawaja Anwar

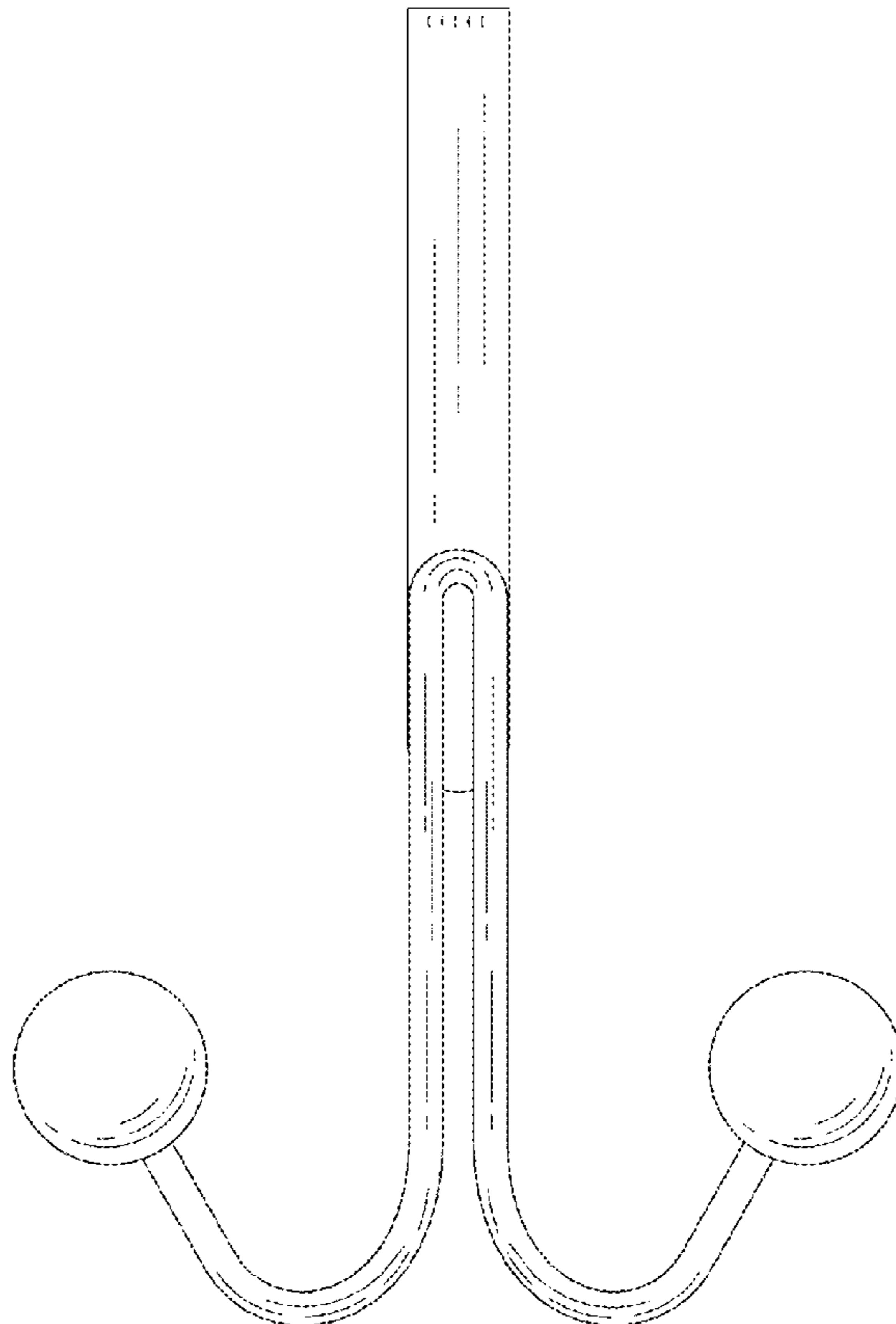
(57) **CLAIM**

The ornamental design for an over the door double hanger, as shown and described.

**DESCRIPTION**

FIG. 1 is a front elevational view of an over the door double hanger showing my new design;  
FIG. 2 is a rear elevational view thereof;  
FIG. 3 is a right side elevational view thereof;  
FIG. 4 is a left side elevational view thereof;  
FIG. 5 is a bottom plan view thereof;  
FIG. 6 is a top plan view thereof; and,  
FIG. 7 is a perspective view thereof.

**1 Claim, 7 Drawing Sheets**



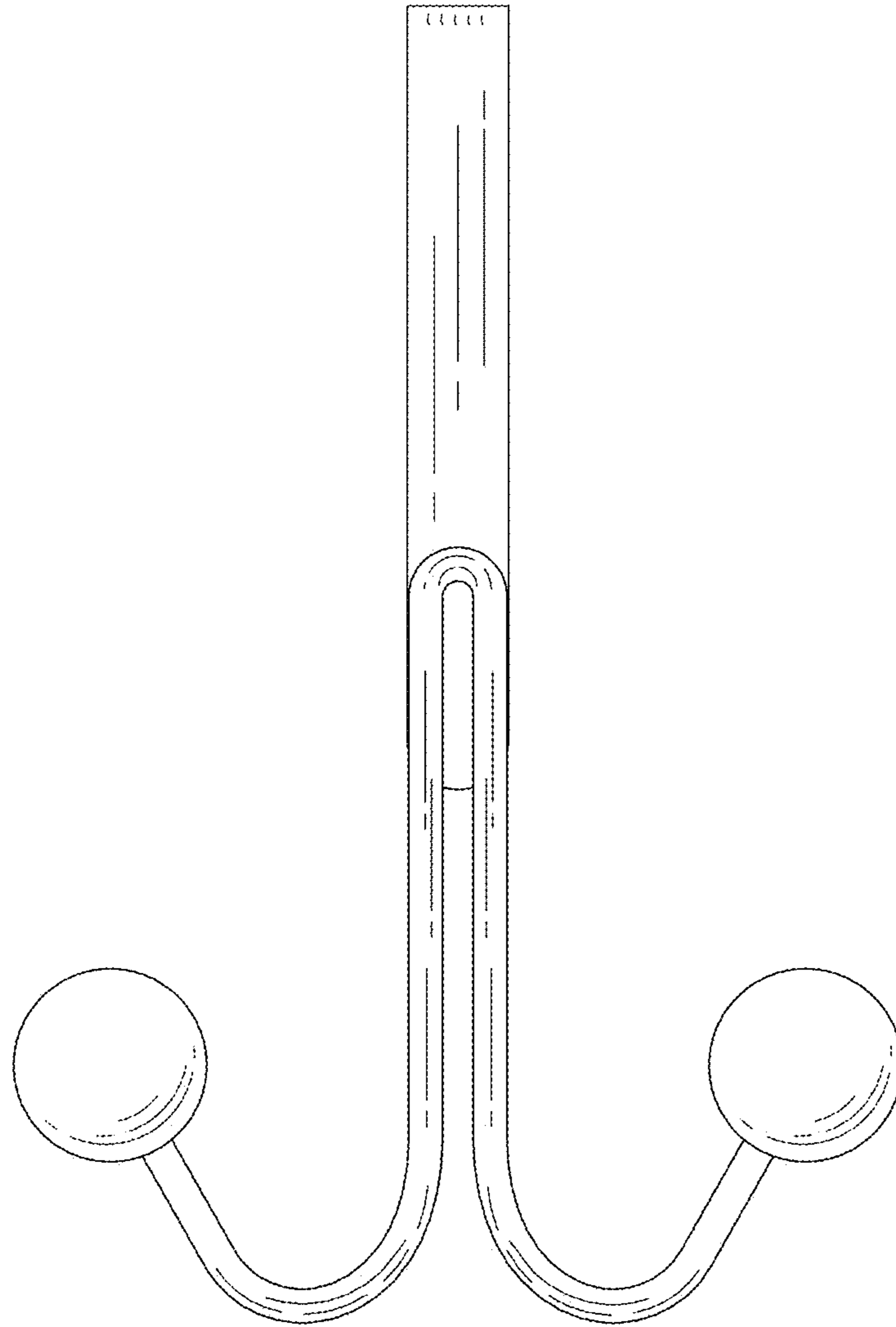


FIG. 1

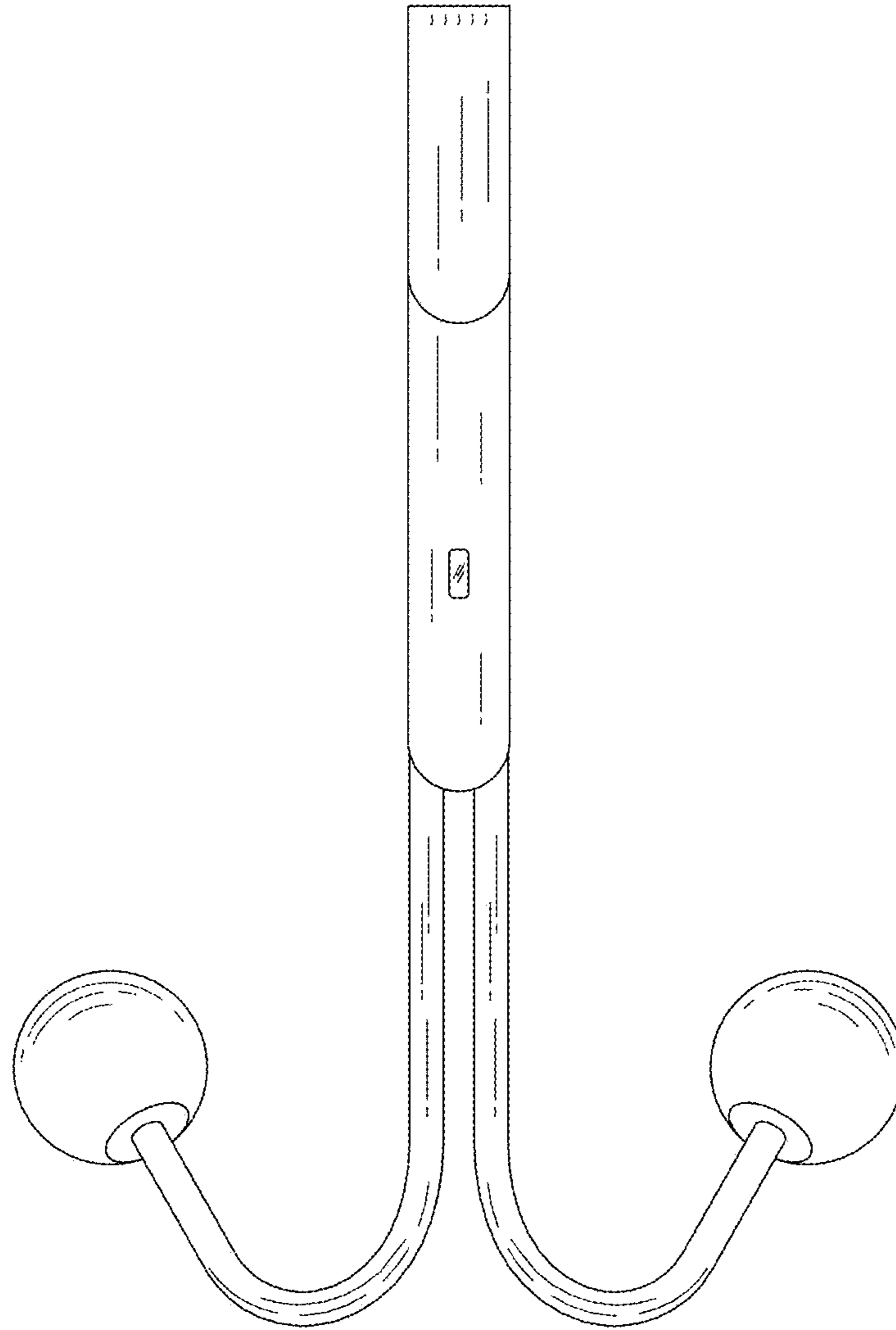


FIG. 2

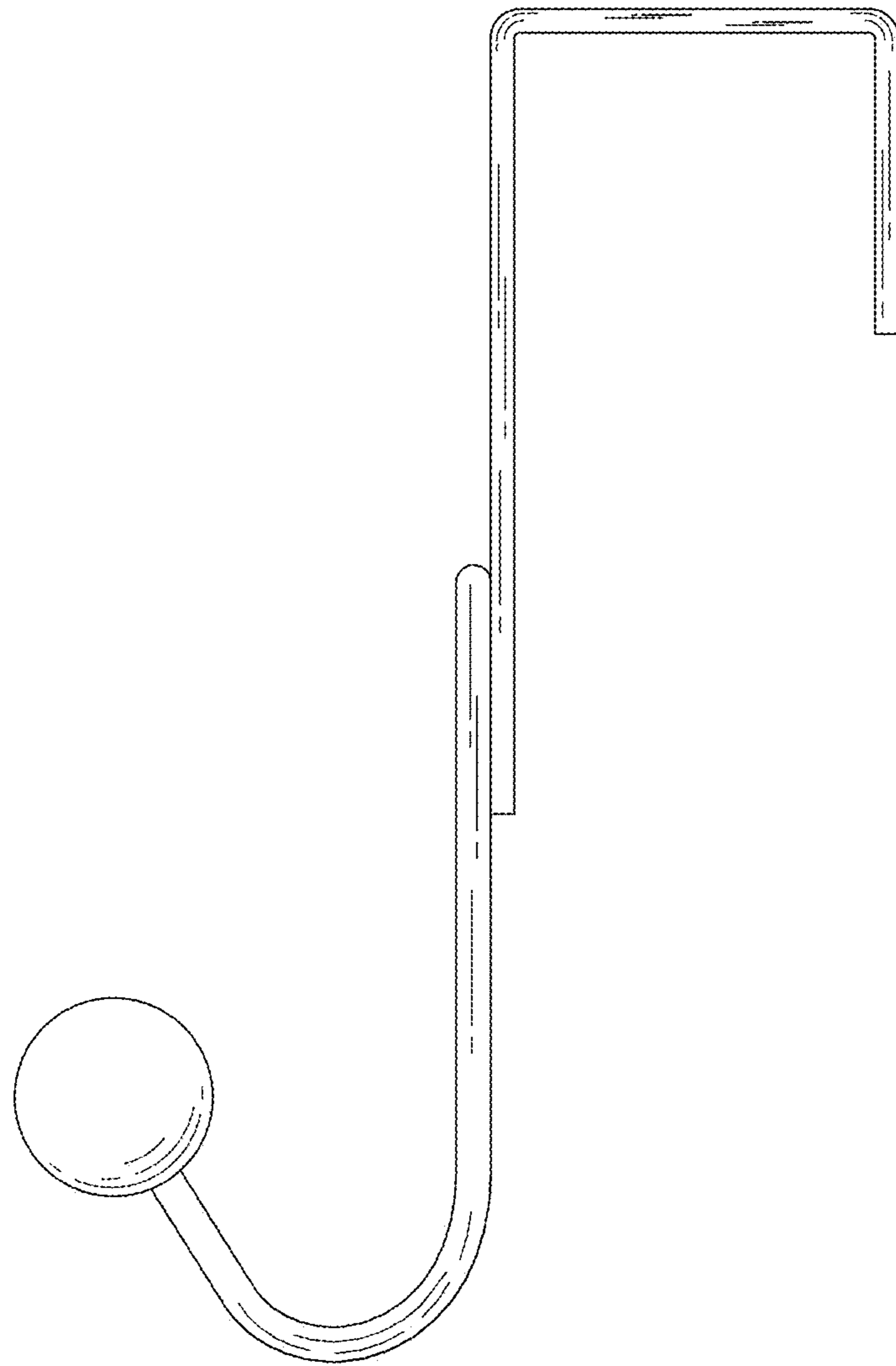


FIG. 3

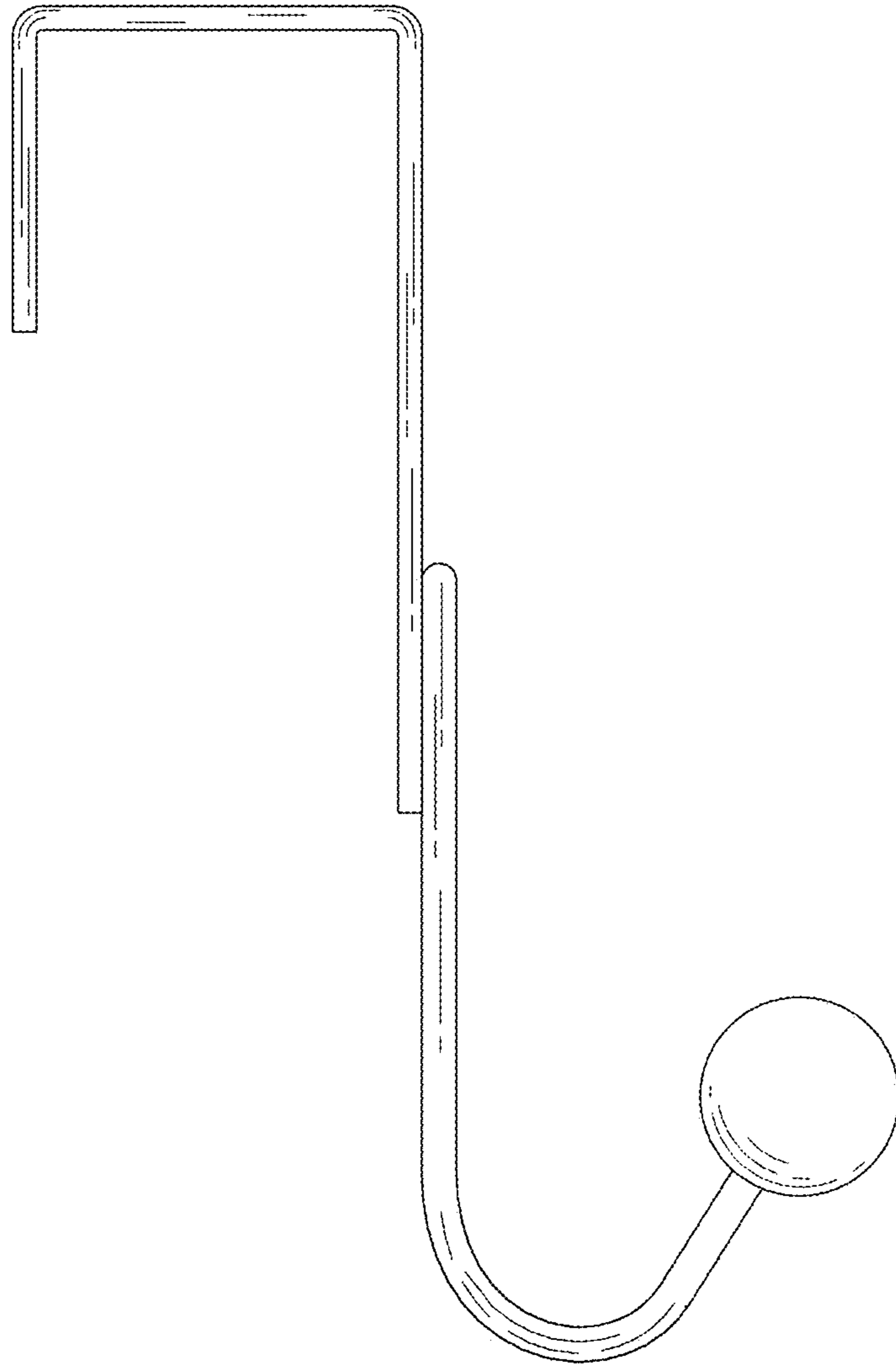


FIG. 4

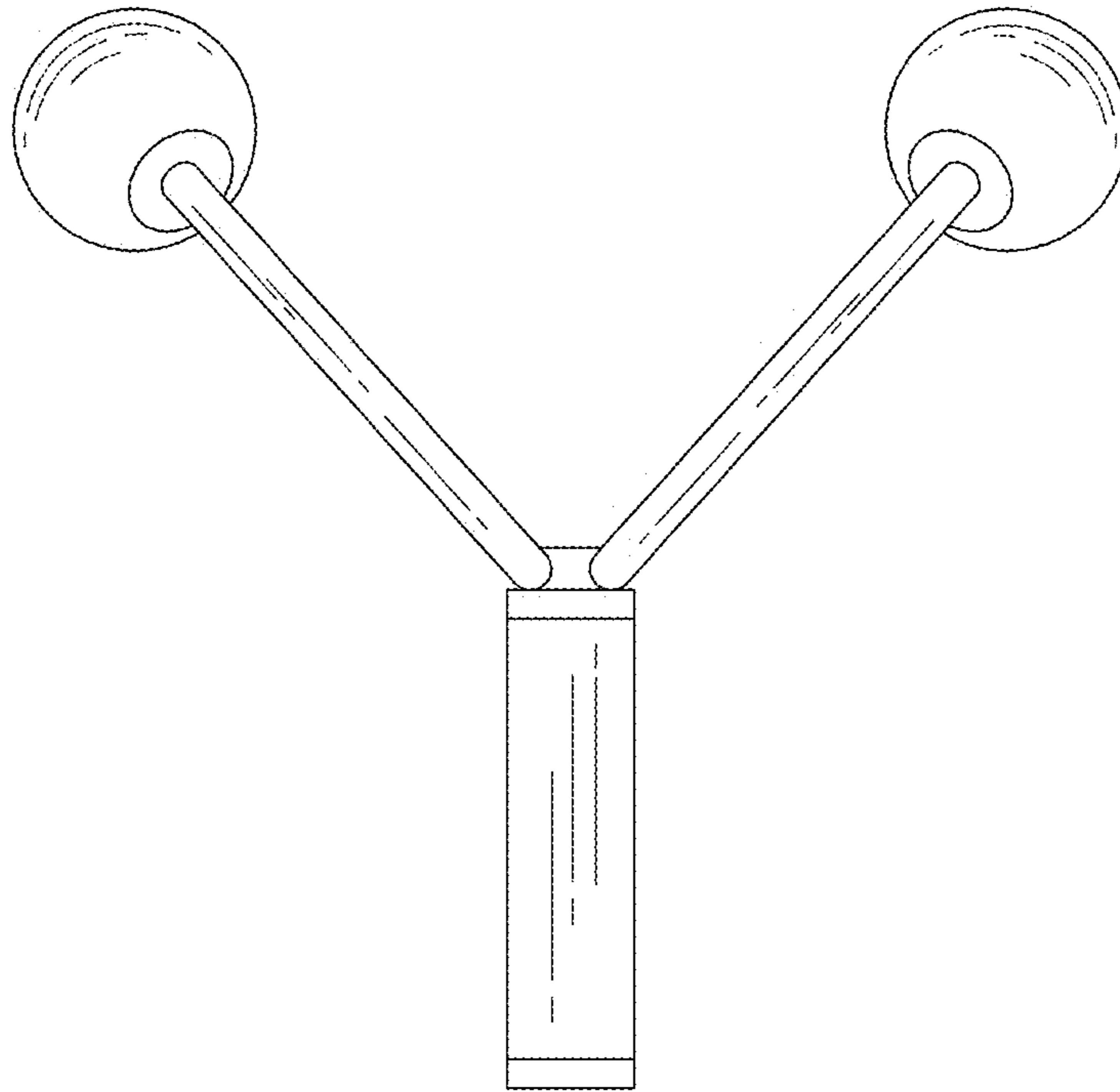


FIG. 5

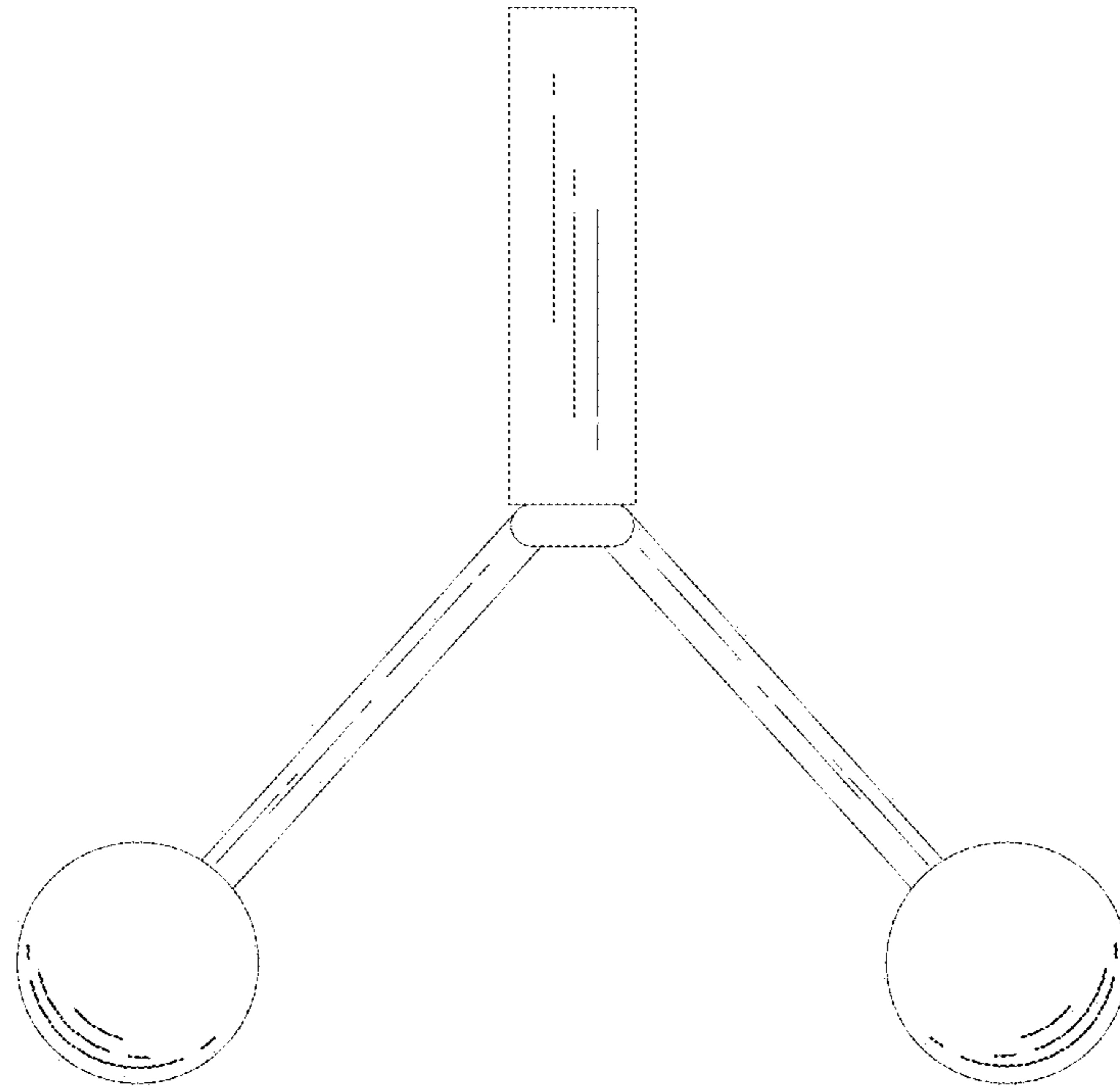


FIG. 6

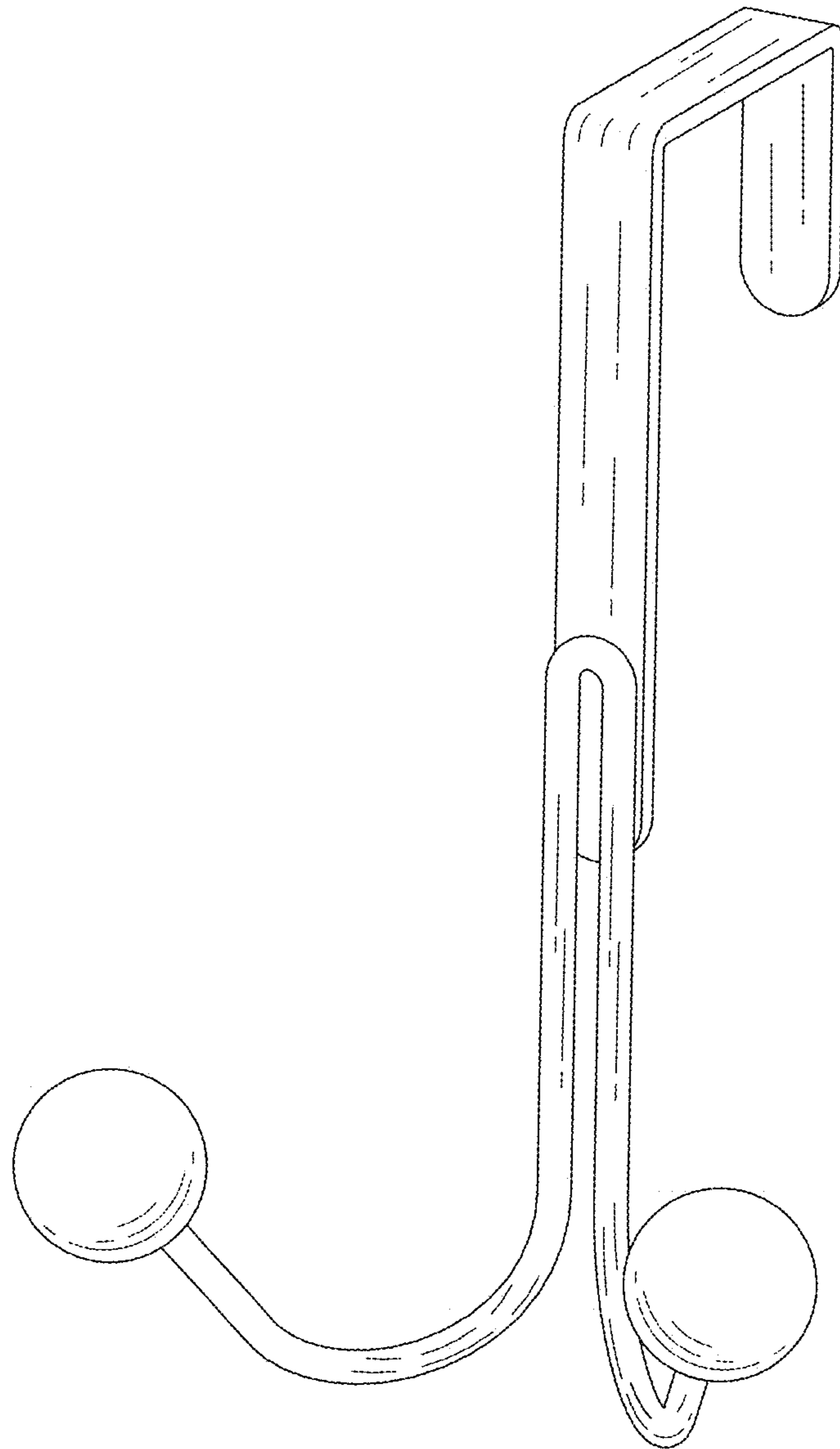


FIG. 7