

US00D967699S

(12) **United States Design Patent** (10) **Patent No.:** **US D967,699 S**
Padilla (45) **Date of Patent:** **** Oct. 25, 2022**

(54) **ATTACHMENT HOOK ORNAMENT**

(71) Applicant: **Troy L Padilla**, San Juan Pueblo, NM (US)

(72) Inventor: **Troy L Padilla**, San Juan Pueblo, NM (US)

(**) Term: **15 Years**

(21) Appl. No.: **29/741,121**

(22) Filed: **Jul. 9, 2020**

(51) **LOC (13) Cl.** **08-11**

(52) **U.S. Cl.**
USPC **D8/367**

(58) **Field of Classification Search**
USPC D8/367, 354, 349, 373; D6/323;
248/301-304, 339
CPC A47G 1/00; A47G 25/00
See application file for complete search history.

(56) **References Cited**

U.S. PATENT DOCUMENTS

2,679,998	A *	6/1954	Keller	F16B 47/003	D8/367
2,803,595	A *	8/1957	Salvatore	C25F 7/00	204/297.02
D354,429	S *	1/1995	McNaughton		D8/367
D449,977	S *	11/2001	Dembowiak		D8/367
D472,795	S *	4/2003	Saxby		D8/367
D505,315	S *	5/2005	Snell		D8/367
D667,720	S *	9/2012	Berkowitz		D8/367
D670,997	S *	11/2012	Thompson		D8/367
D733,525	S *	7/2015	Petzl		D8/356
D741,145	S *	10/2015	Petzl		D8/356
D746,664	S *	1/2016	Najieb		D8/367
D747,176	S *	1/2016	Petzl		D8/356
D840,792	S *	2/2019	Sugasawara		D8/367

D842,083	S *	3/2019	Thompson	D8/367
D864,697	S *	10/2019	Gnocchini	D8/367
D879,596	S *	3/2020	Li	D8/367
D880,990	S *	4/2020	Liu	D8/367
D915,181	S *	4/2021	Chen	D8/367
D931,089	S *	9/2021	Guo	D8/367
D935,312	S *	11/2021	Zhou	D8/367
D939,330	S *	12/2021	Zhou	D8/367
D948,997	S *	4/2022	Wang	D8/367
D953,150	S *	5/2022	Luo	D8/367
D953,849	S *	6/2022	Liu	D8/367

* cited by examiner

Primary Examiner — Cynthia R Underwood
(74) *Attorney, Agent, or Firm* — Plager Schack LLP;
Mark H. Plager; Michael J. O'Brien

(57) **CLAIM**

The ornamental design for the attachment hook ornament, as shown and described.

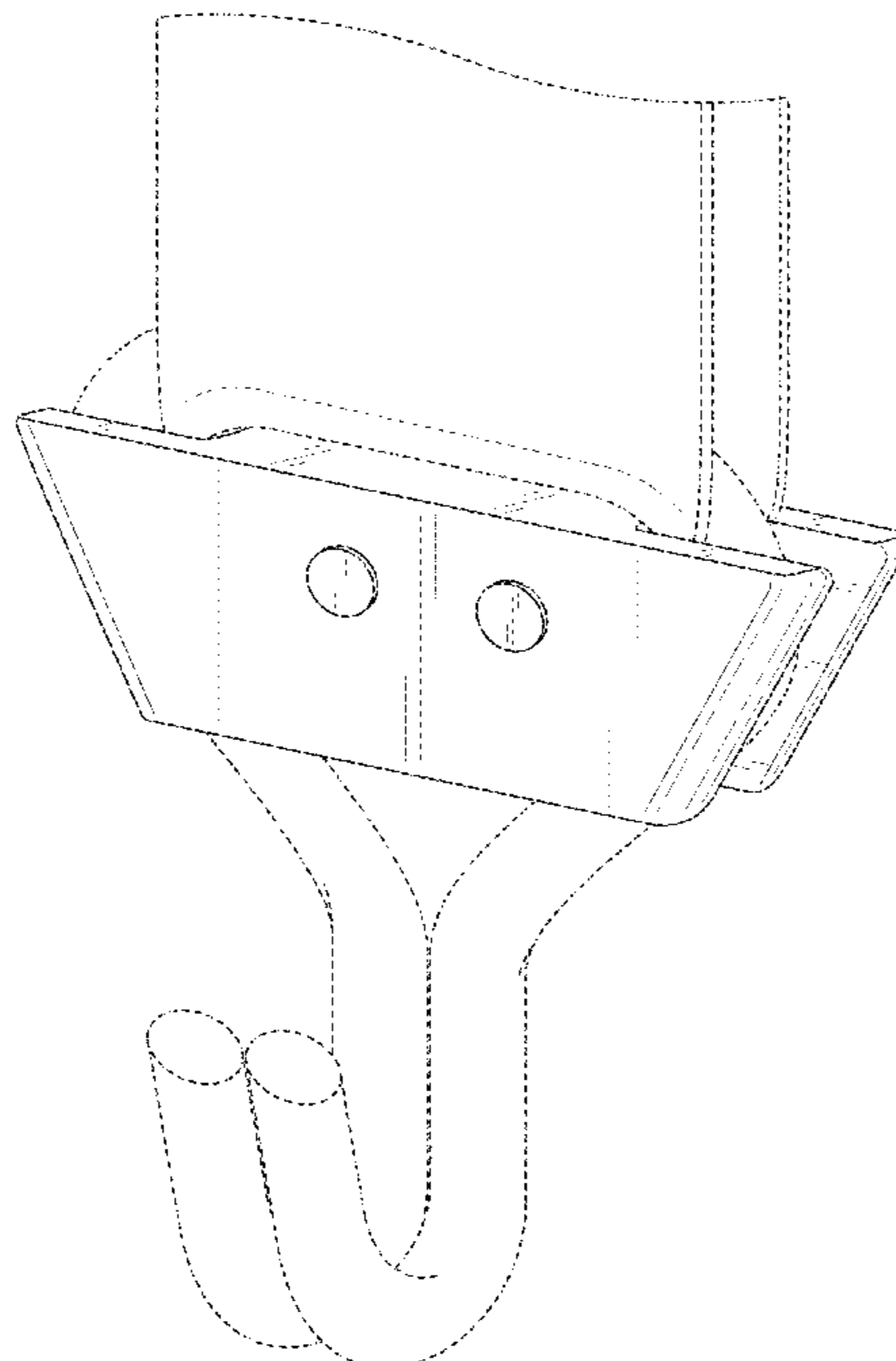
DESCRIPTION

FIG. 1 is a front perspective view of a new design for an attachment hook ornament. An attachment hook and an attachment strap are shown as environmental material in dashed lines.

FIG. 2 is a front view thereof;
FIG. 3 is a rear view thereof;
FIG. 4 is a left side view thereof;
FIG. 5 is a right side view thereof;
FIG. 6 is a top view thereof; and,
FIG. 7 is a bottom view thereof.

The solid line showing illustrates the claimed features within the design for the claimed article of manufacture. The dashed lines are environmental material that form no part of the claimed design.

1 Claim, 6 Drawing Sheets



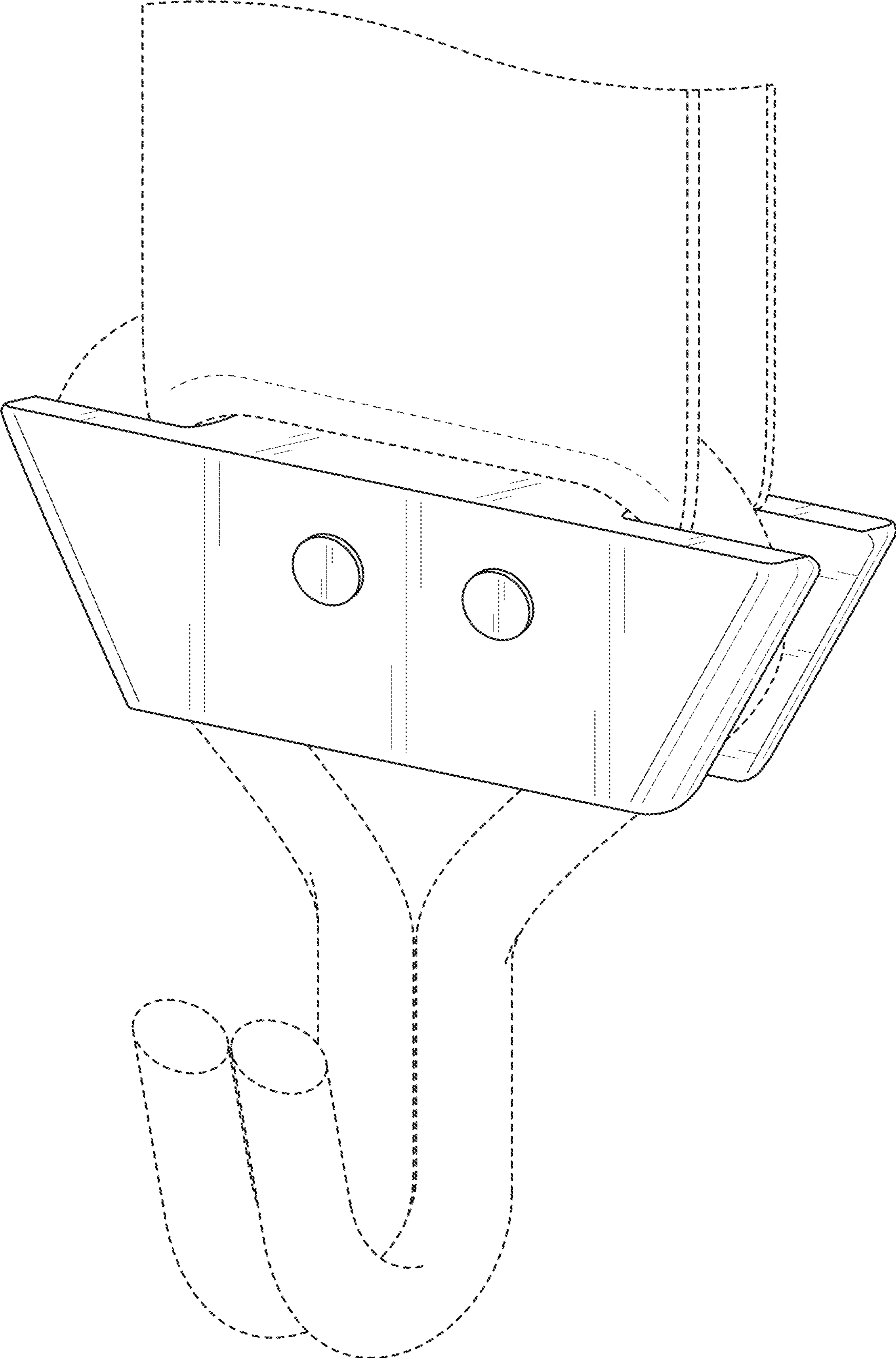


FIG. 1

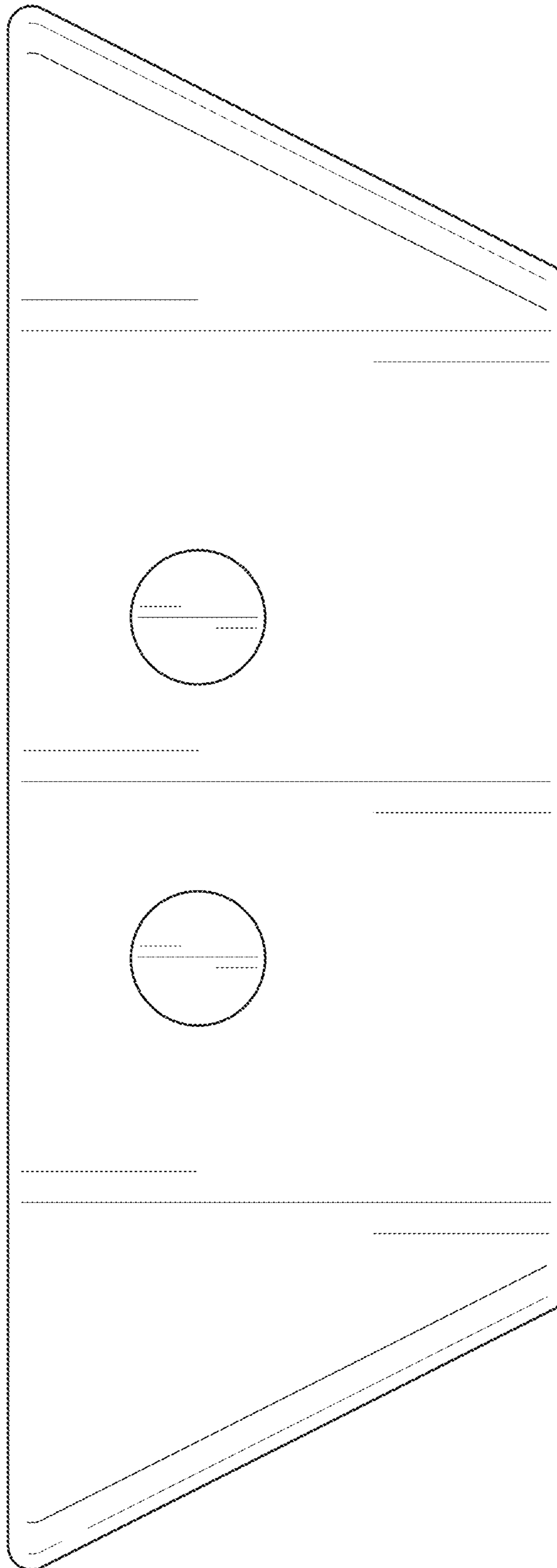


FIG. 2

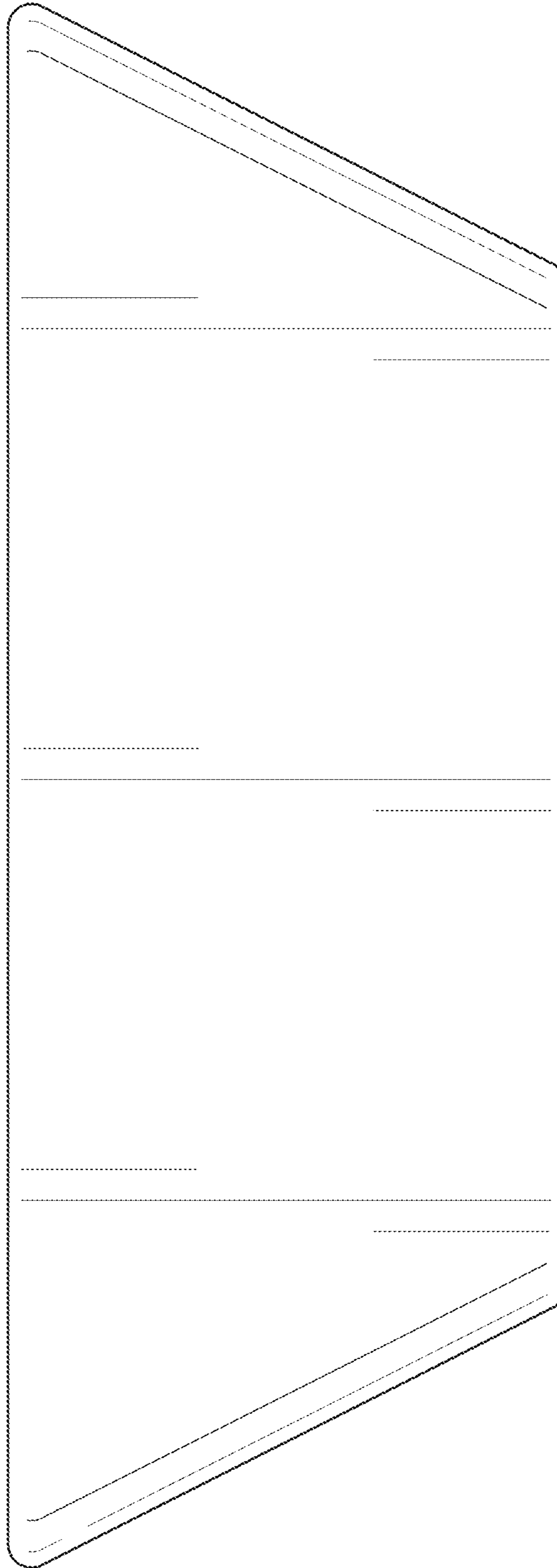


FIG. 3

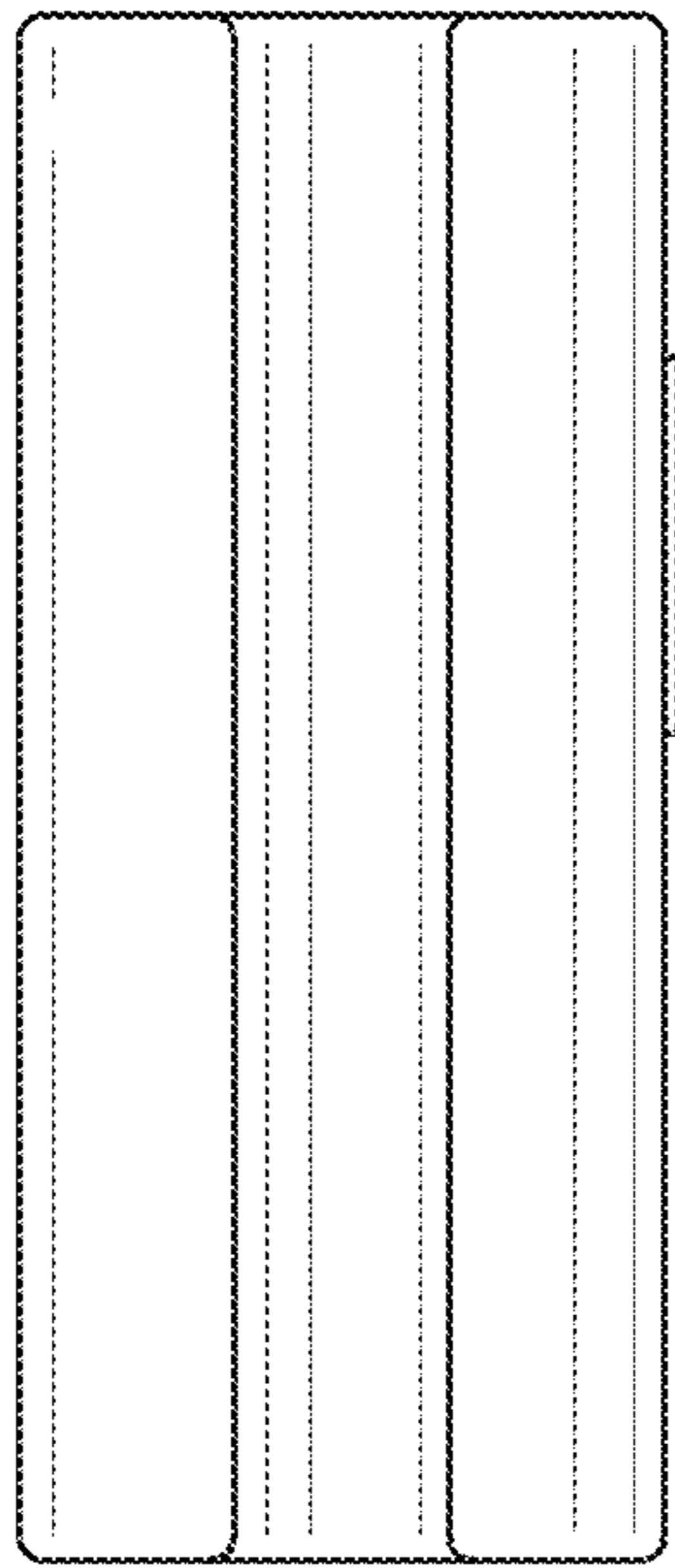


FIG. 4

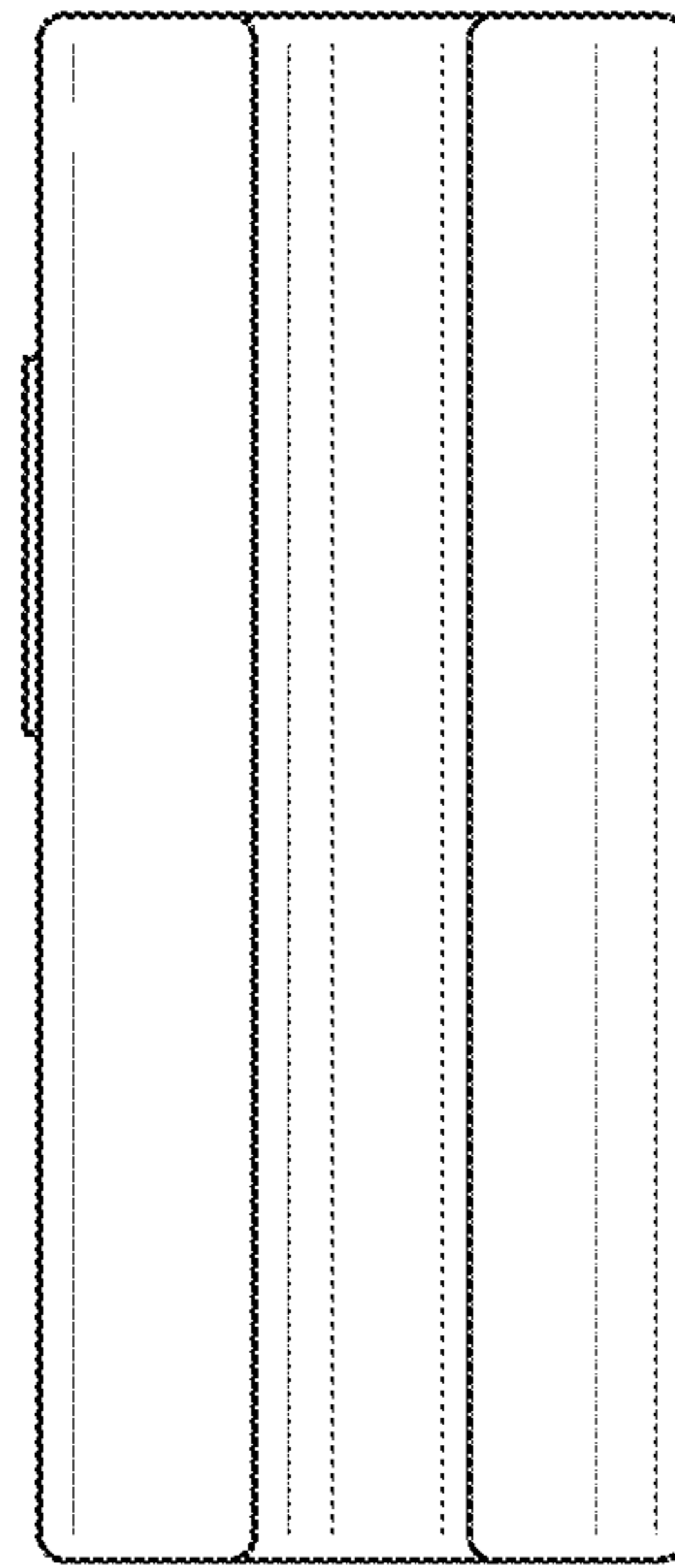


FIG. 5

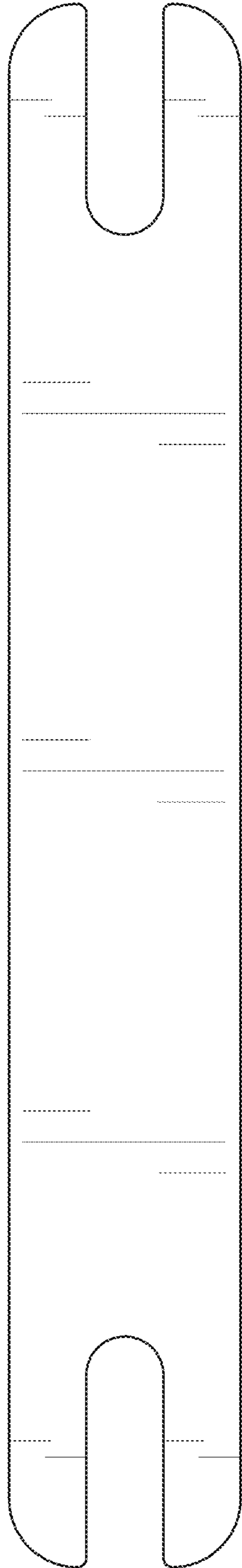


FIG. 6

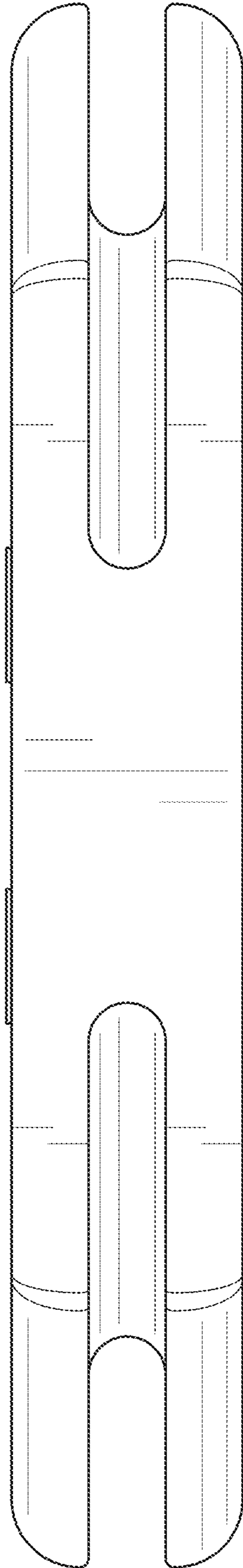


FIG. 7