



US00D967698S

(12) **United States Design Patent**
Holguin

(10) **Patent No.:** **US D967,698 S**

(45) **Date of Patent:** **** Oct. 25, 2022**

(54) **CPAP HOSE HOLDER**

FOREIGN PATENT DOCUMENTS

(71) Applicant: **OTEN Medical LLC**, El Paso, TX
(US)

JP D1143817 * 6/2002
KR 300863872.0000 * 7/2016

(72) Inventor: **Ernesto Holguin**, El Paso, TX (US)

OTHER PUBLICATIONS

(73) Assignee: **OTEN Medical LLC**, El Paso, TX
(US)

The Original CPAP Hose Holder-, first available Jan. 17, 2021 based on WaybackMachin.com , Google.com, [online], [site visited Jun. 7, 2022], Available from internet URL: https://web.archive.org/web/2021*/https://otenmedical.com/collections/cpap-hose-holder (Year: NA).*

(**) Term: **15 Years**

(21) Appl. No.: **29/652,571**

(Continued)

(22) Filed: **Sep. 23, 2020**

(51) **LOC (13) Cl.** **09-06**

(52) **U.S. Cl.**
USPC **D8/356; D8/394**

(58) **Field of Classification Search**
USPC D8/349, 352, 382, 72, 73, 394, 395, 396,
D8/356; D11/215, 214, 200, 1, 95;
D16/242, 245; D25/119, 125, 715, 114
CPC .. F16C 2314/72; F16C 29/0623; F16C 29/06;
F16C 29/0609; F16C 29/005; F16C
29/008; F16C 29/04; F16C 29/0657;
F16C 29/004; F16C 29/12; A47B 1/10;
A47B 88/493; A47B 88/423

Primary Examiner — Omeed Agilee
Assistant Examiner — Rozita Mozaffarian
(74) *Attorney, Agent, or Firm* — Patterson Thuent
Pedersen, P.A.

See application file for complete search history.

(57) **CLAIM**

The ornamental design for a CPAP hose holder, as shown and described.

(56) **References Cited**

U.S. PATENT DOCUMENTS

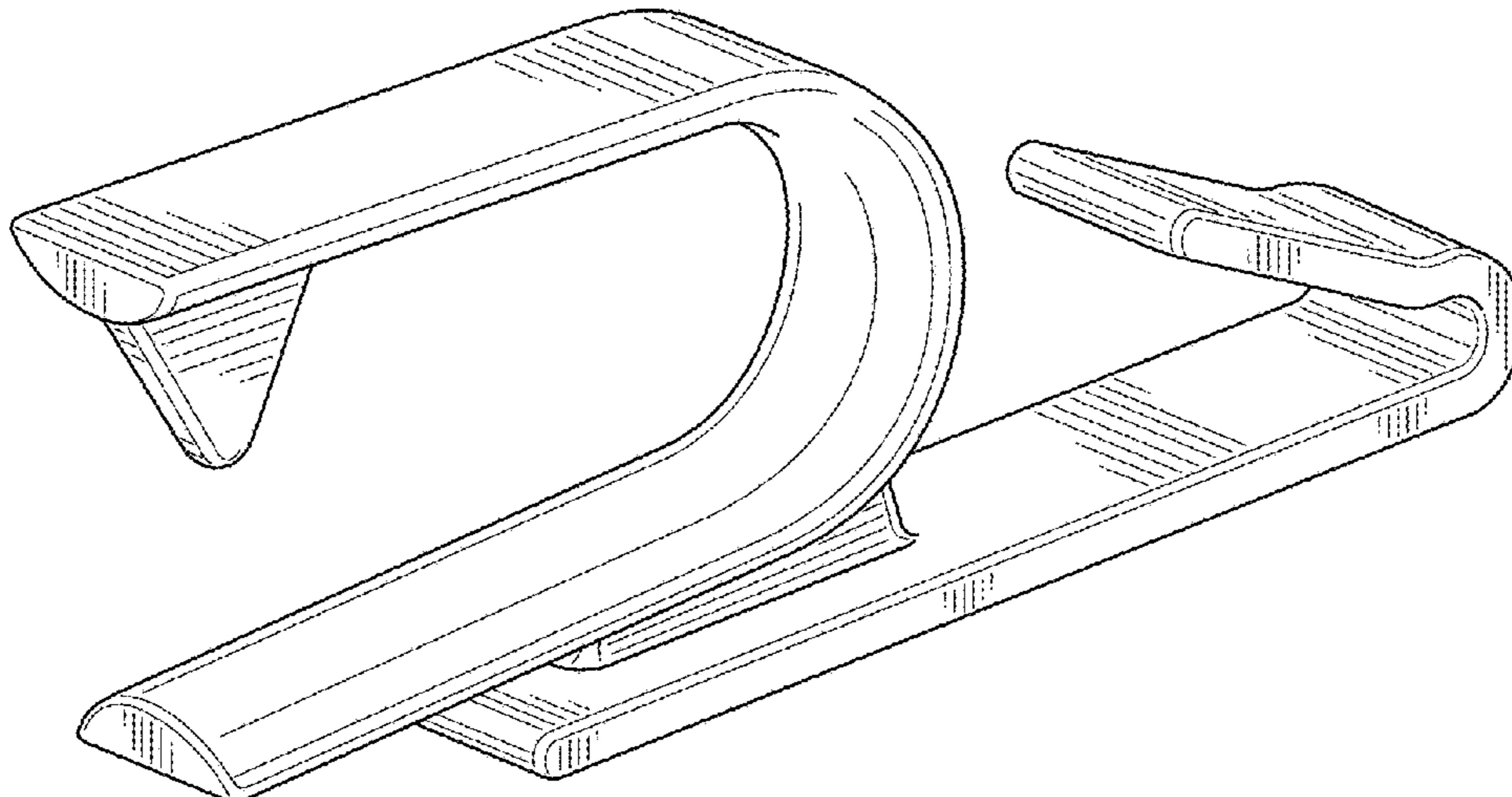
4,317,262	A *	3/1982	Wells, Jr.	F16L 3/12 24/17 AP
4,609,171	A *	9/1986	Matsui	H02G 3/32 248/316.1
4,779,828	A *	10/1988	Munch	H02G 3/32 24/339
D347,384	S *	5/1994	White	D8/395
D424,922	S *	5/2000	Sherman	D8/395
6,206,331	B1 *	3/2001	Keith	B60R 16/0215 248/74.1
D453,676	S *	2/2002	Pliml, Jr.	D19/100
D762,105	S *	7/2016	Prevost	D8/349

(Continued)

DESCRIPTION

FIG. 1 is a perspective view of a CPAP hose holder, showing my new design;
FIG. 2 is a front view of the CPAP hose holder depicted in FIG. 1;
FIG. 3 is a rear view of the CPAP hose holder depicted in FIG. 1;
FIG. 4 is a right-side view of the CPAP hose holder depicted in FIG. 1;
FIG. 5 is a left-side view of the CPAP hose holder depicted in FIG. 1;
FIG. 6 is a top plan view of the CPAP hose holder depicted in FIG. 1; and,
FIG. 7 is a top plan view of the CPAP hose holder depicted in FIG. 1.

1 Claim, 7 Drawing Sheets



(56)

References Cited

U.S. PATENT DOCUMENTS

D892,602 S * 8/2020 White D8/380
D936,457 S * 11/2021 Holguin D8/349
D939,941 S * 1/2022 Wang D8/356
D947,011 S * 3/2022 Yuanxiang D8/356

OTHER PUBLICATIONS

Jieyabi CPAP Hose Hanger with Anti-Skid Function, Amazon.com, [online], [site visited Jun. 7, 2022], Available from internet URL: https://www.amazon.com/JIEYABI-Anti-Skid-Function%EF%BC%8CCPAP-Organizer-Headband/dp/B09LRFXHH1/ref=sr_1_8?keywords=cpap+hose+stand&qid=1654617296&sr=8-8 (Year: NA).*

* cited by examiner

FIG. 1

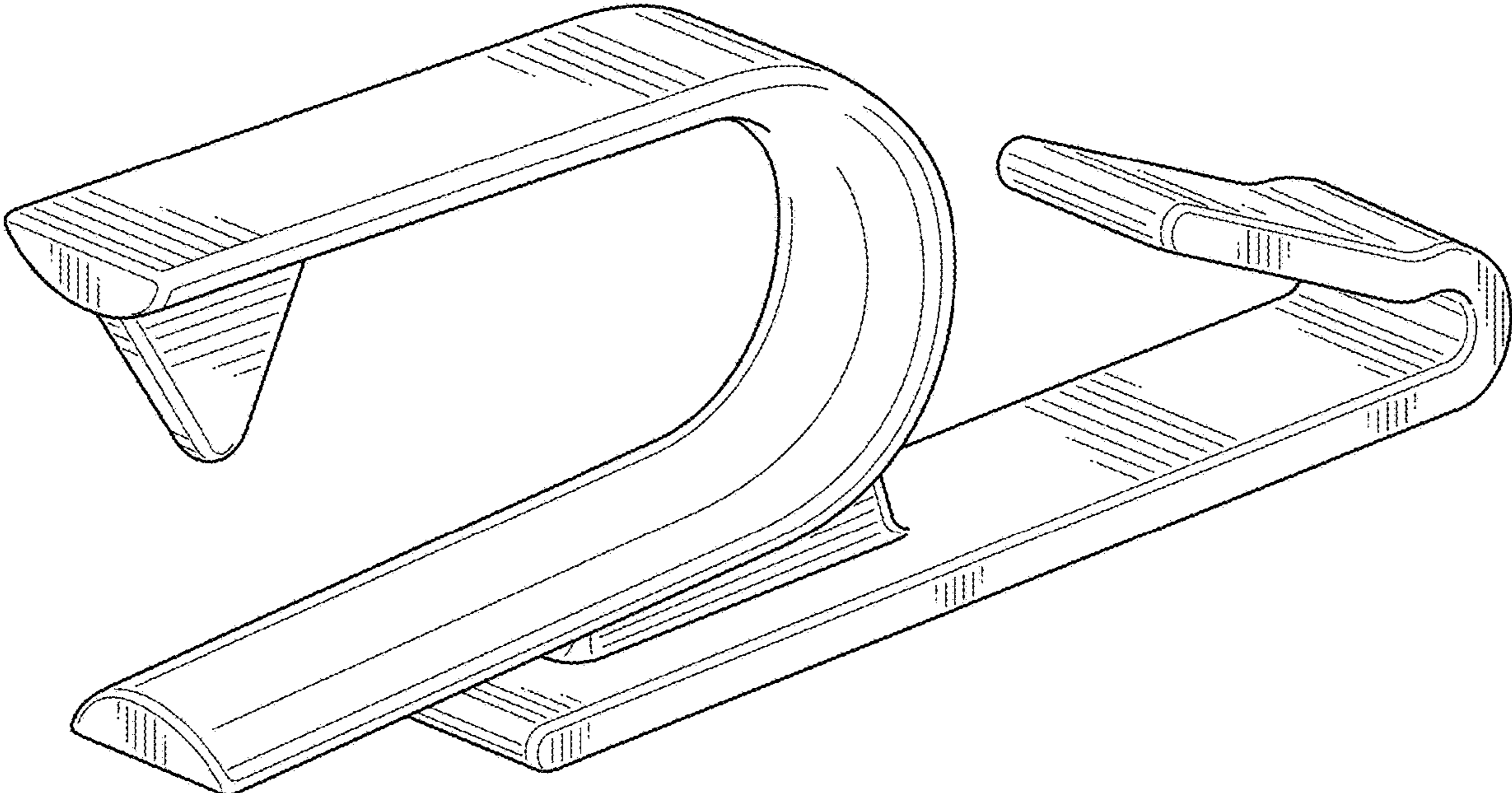


FIG. 2

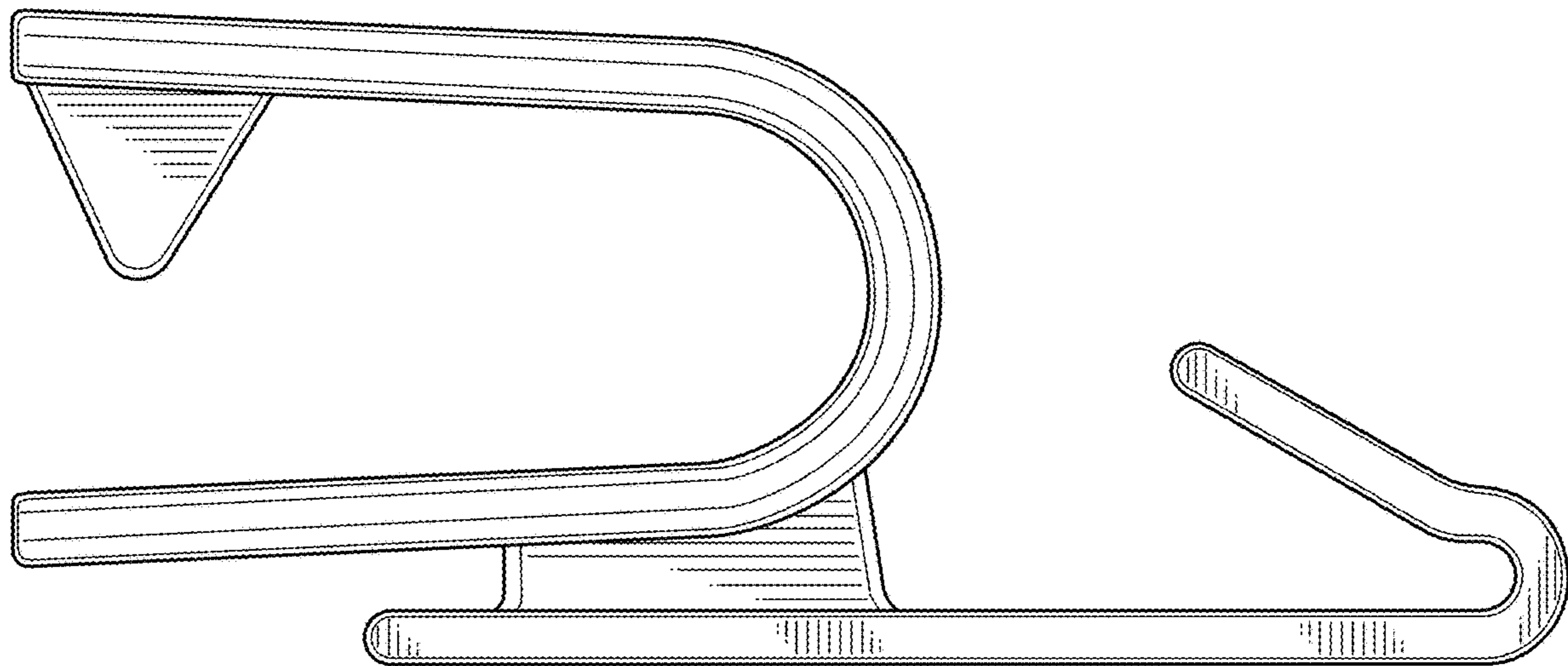


FIG. 3

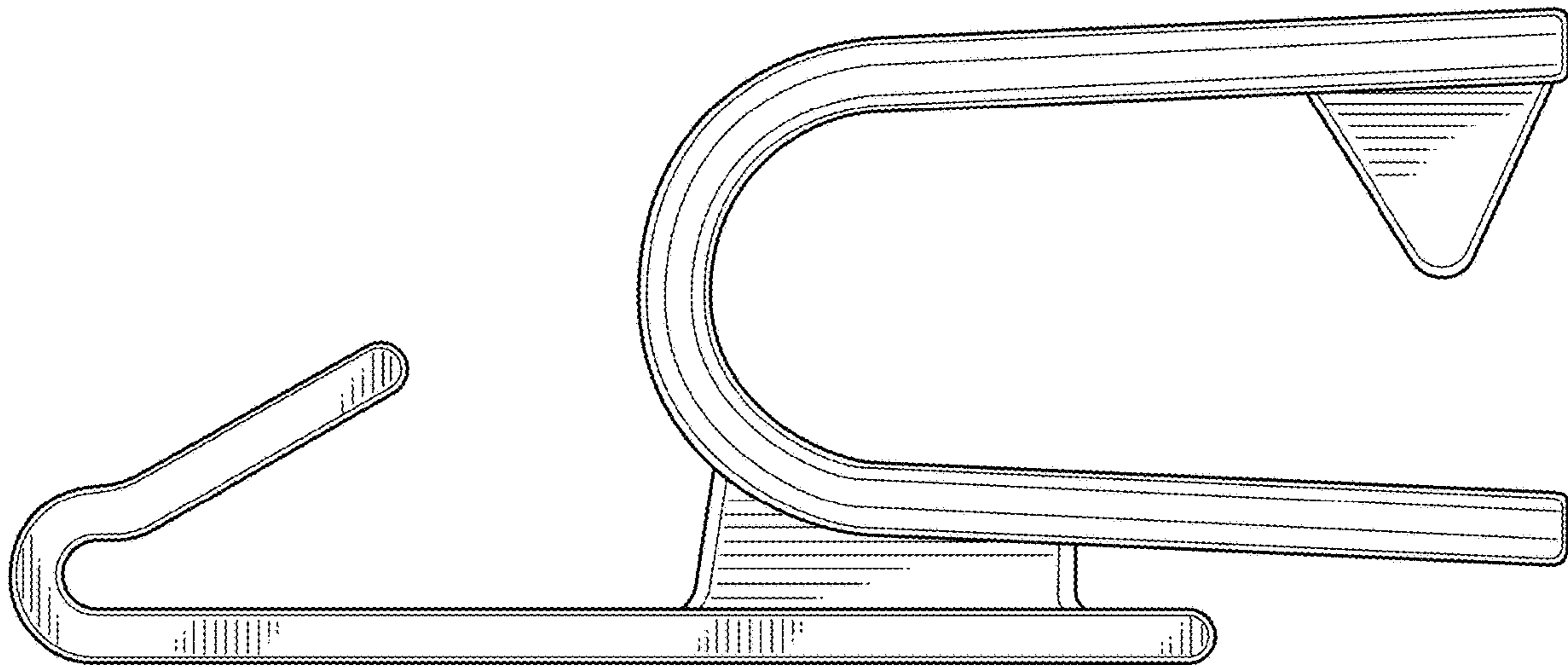


FIG. 4

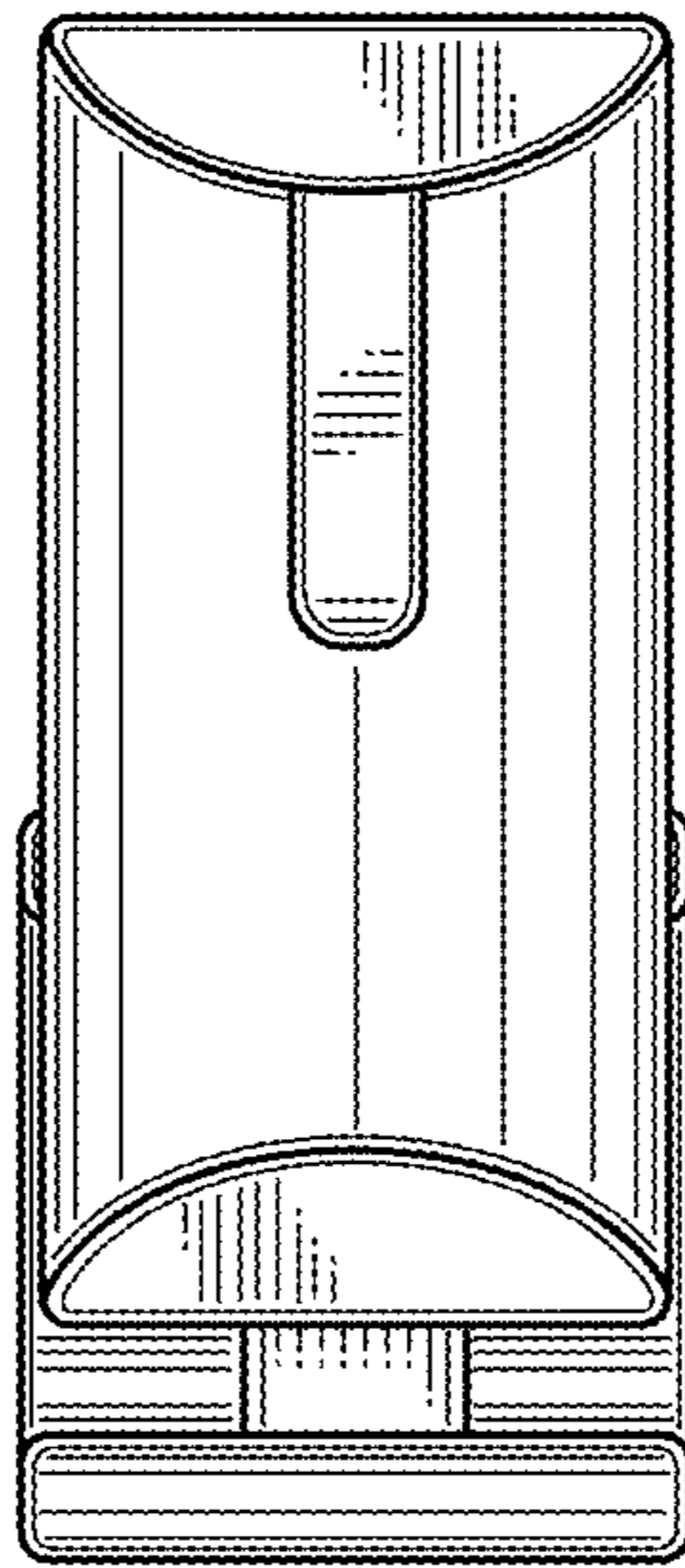


FIG. 5

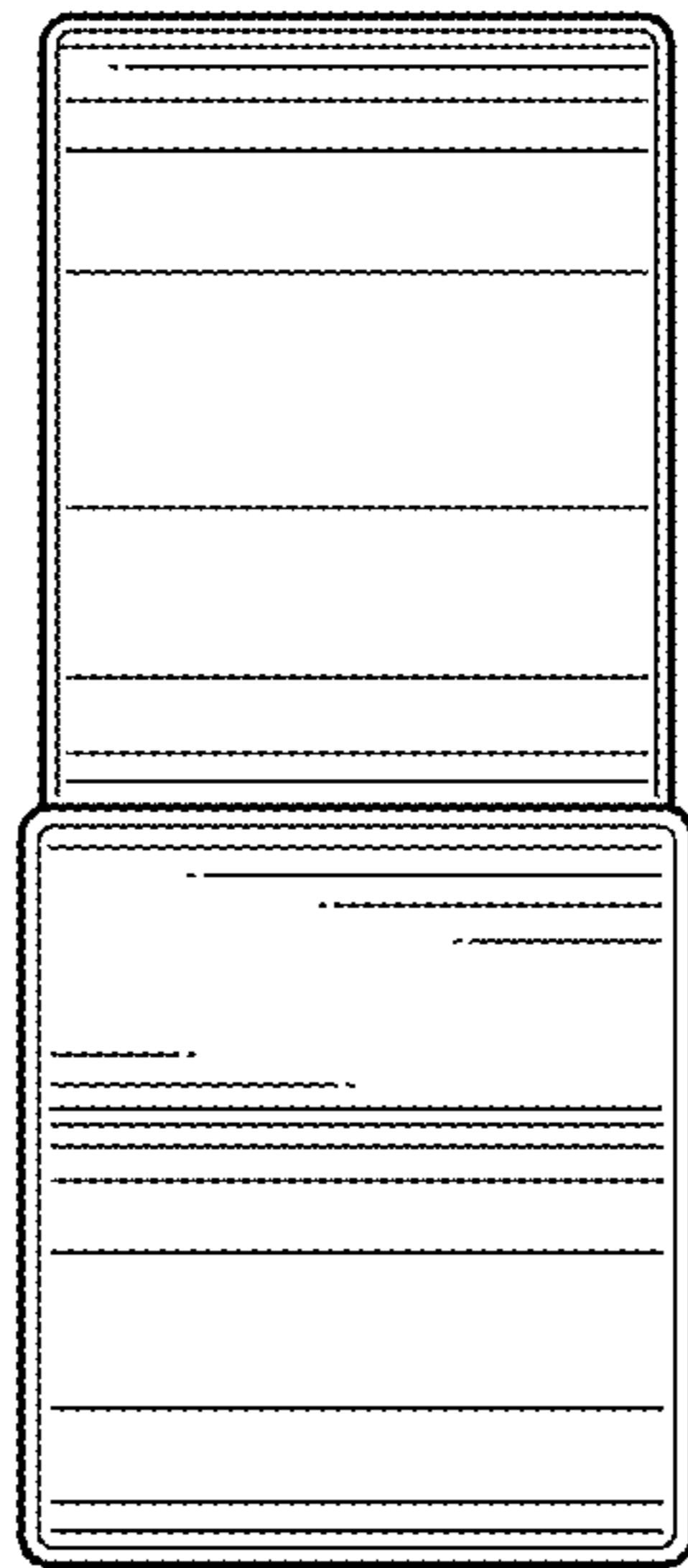


FIG. 6

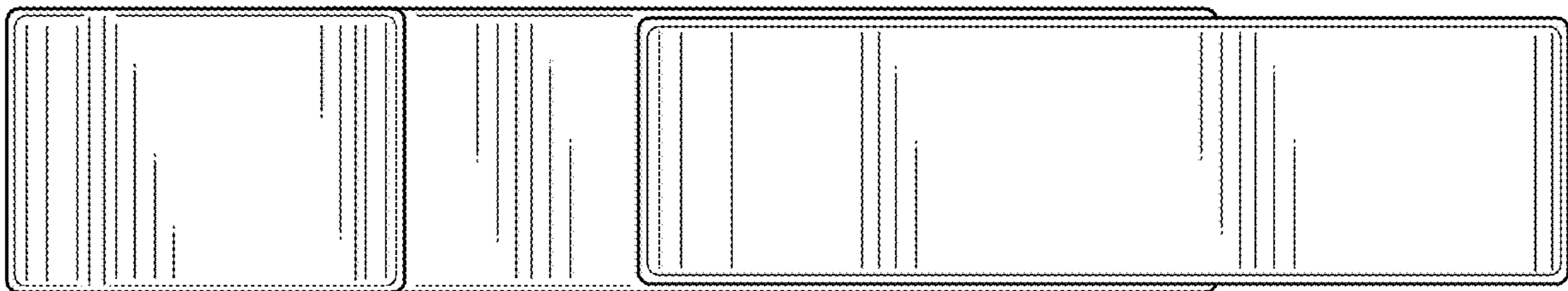


FIG. 7

