



US00D967697S

(12) **United States Design Patent**
Jiang

(10) **Patent No.:** **US D967,697 S**

(45) **Date of Patent:** **** Oct. 25, 2022**

(54) **DISPLAY BRACKET**

(71) Applicant: **Xiaoxi Jiang**, Qiqihar (CN)

(72) Inventor: **Xiaoxi Jiang**, Qiqihar (CN)

(**) Term: **15 Years**

(21) Appl. No.: **29/828,205**

(22) Filed: **Feb. 24, 2022**

(51) **LOC (13) Cl.** **08-01**

(52) **U.S. Cl.**
USPC **D8/354**

(58) **Field of Classification Search**
USPC D6/702, 705, 705.7, 707, 707.19;
D20/99; D14/239; D8/349, 499
CPC A47G 7/044; G09F 7/20; E06B 3/96
See application file for complete search history.

(56) **References Cited**

U.S. PATENT DOCUMENTS

| | | | | |
|--------------|---------|----------|-------|---------|
| D309,249 S * | 7/1990 | Crowley | | D8/354 |
| D377,505 S * | 1/1997 | Thompson | | D25/119 |
| D478,497 S * | 8/2003 | Curtas | | D8/354 |
| D605,026 S * | 12/2009 | Lin | | D8/354 |
| D679,174 S | 4/2013 | Nowak | | |

| | | | | |
|--------------|---------|---------------|-------|---------|
| D702,534 S | 4/2014 | Nowak | | |
| D802,850 S * | 11/2017 | Spaile | | D30/119 |
| D853,665 S * | 7/2019 | Itzhak-Sigron | | D30/160 |
| D903,471 S * | 12/2020 | Deckelman | | D8/354 |
| D924,041 S * | 7/2021 | Brown | | D8/349 |
| D941,661 S * | 1/2022 | Tanner | | D8/354 |

* cited by examiner

Primary Examiner — Kelley A Donnelly

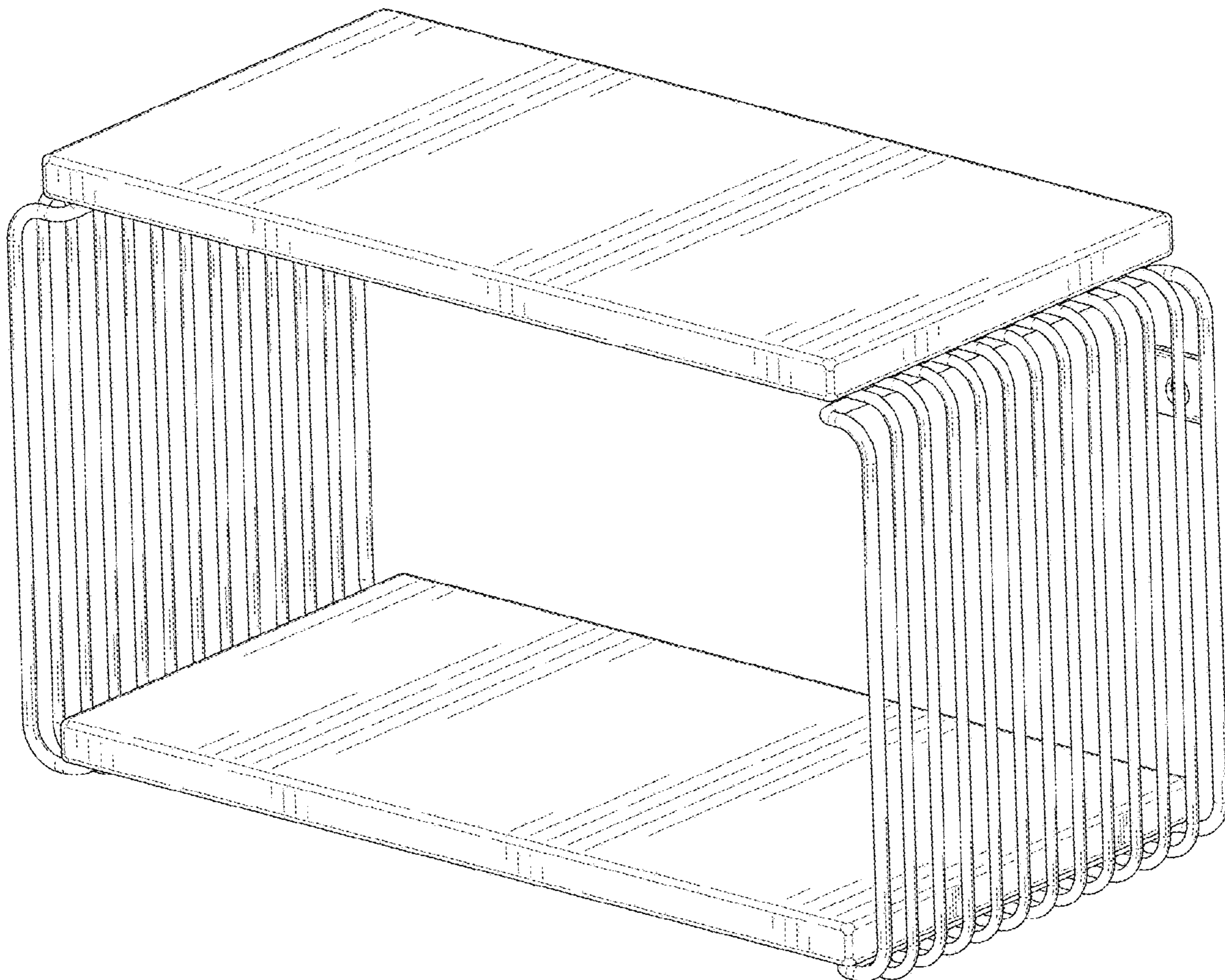
(57) **CLAIM**

The ornamental design for a display bracket, as shown and described.

DESCRIPTION

FIG. 1 is a perspective view of a display bracket showing my new design;
FIG. 2 is another perspective view thereof;
FIG. 3 is a front elevational view thereof;
FIG. 4 is a rear elevational view thereof;
FIG. 5 is a left side elevational view thereof;
FIG. 6 is a right side elevational view thereof;
FIG. 7 is a top plan view thereof; and,
FIG. 8 is a bottom plan view thereof.
The broken lines in the drawings depict portions of the display bracket that form no part of the claimed design.

1 Claim, 8 Drawing Sheets



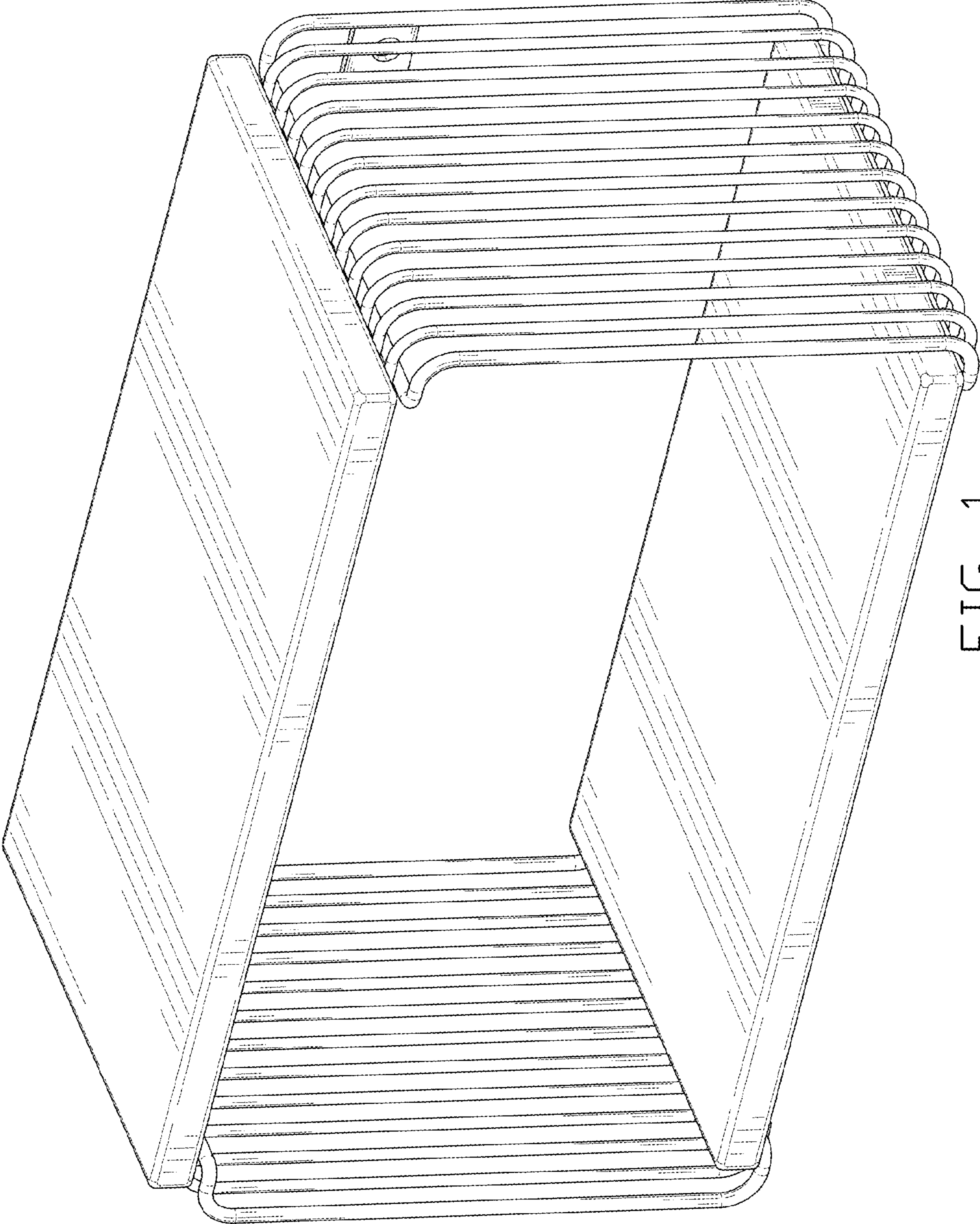


FIG. 1

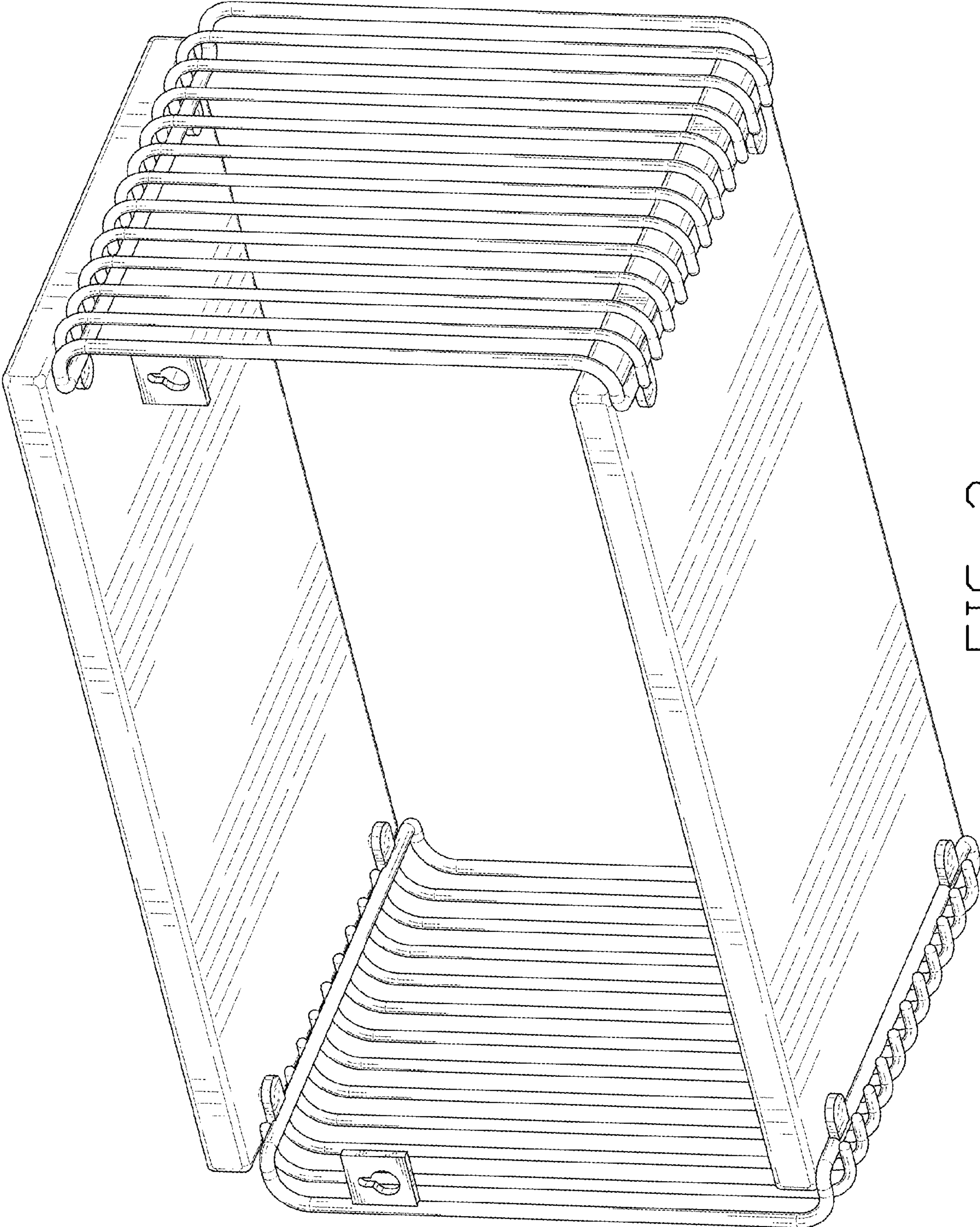


FIG. 2

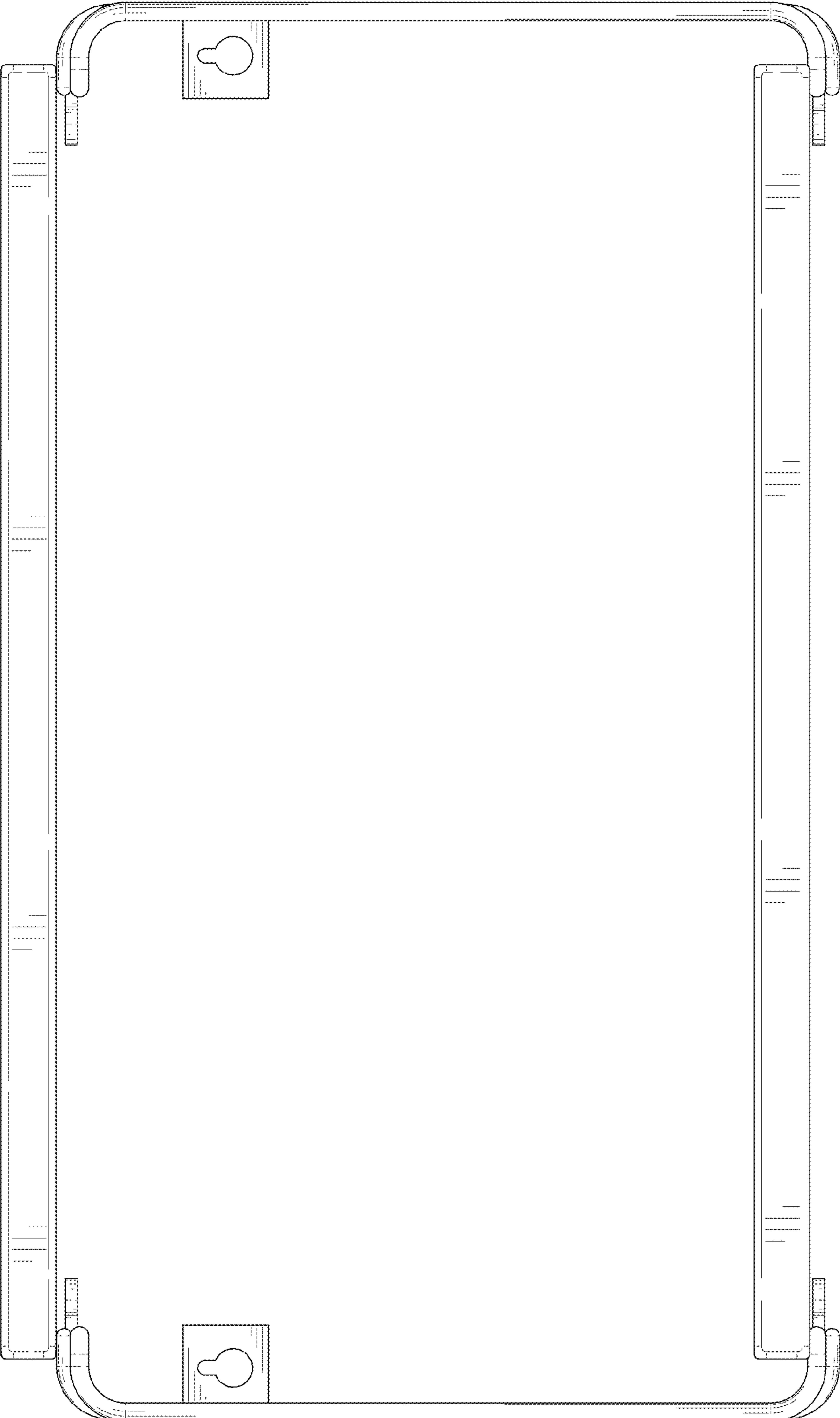


FIG. 3

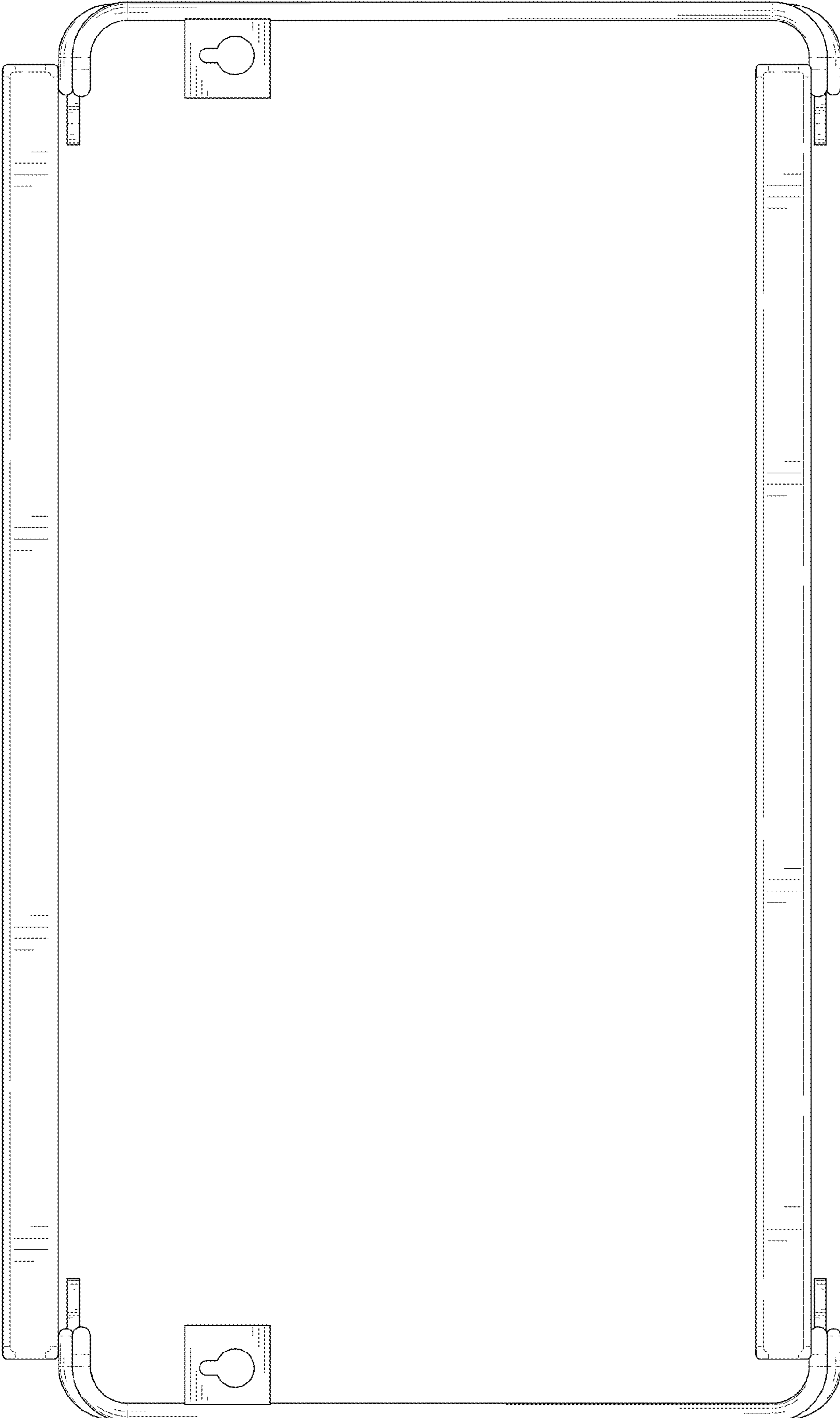


FIG. 4

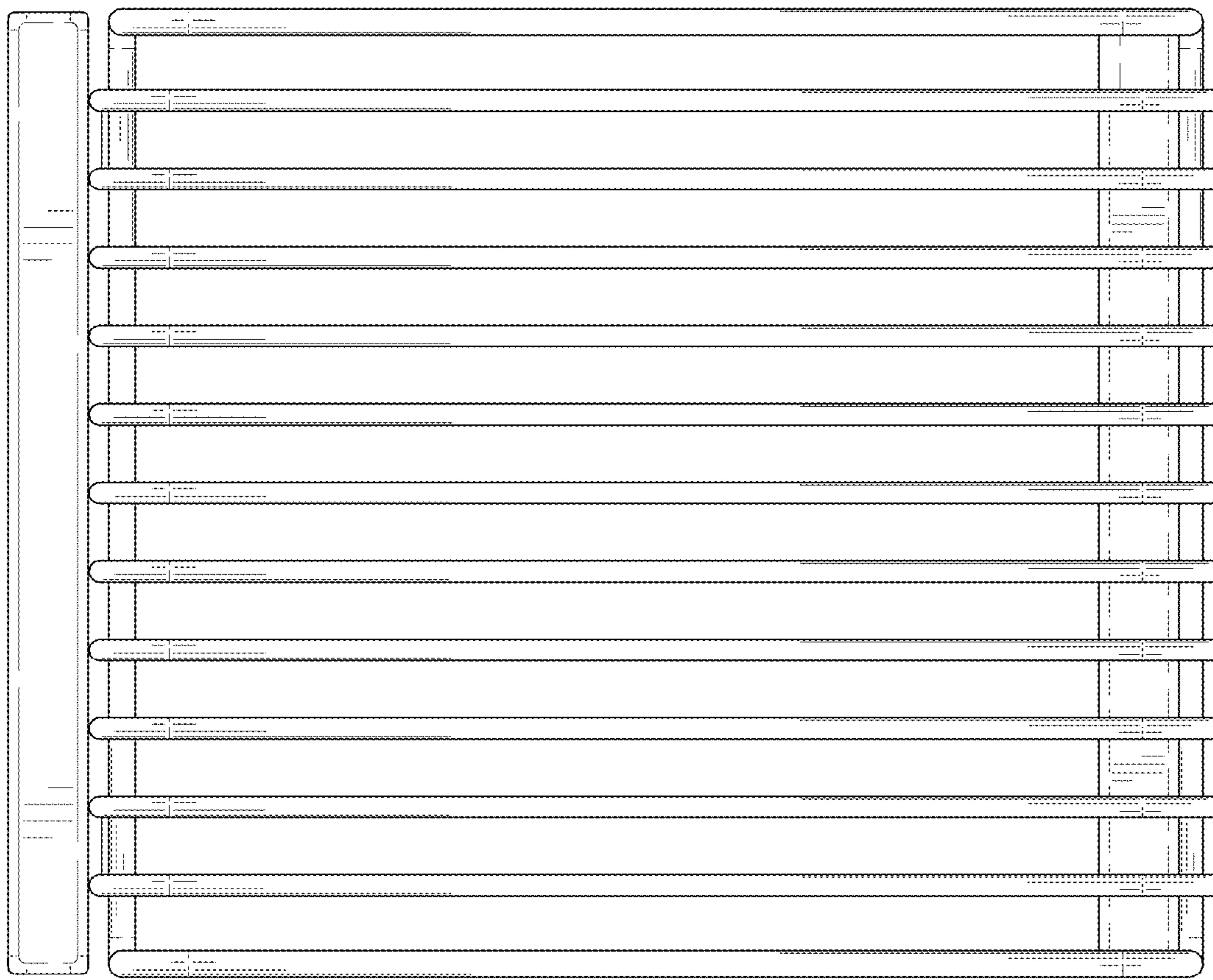


FIG. 5

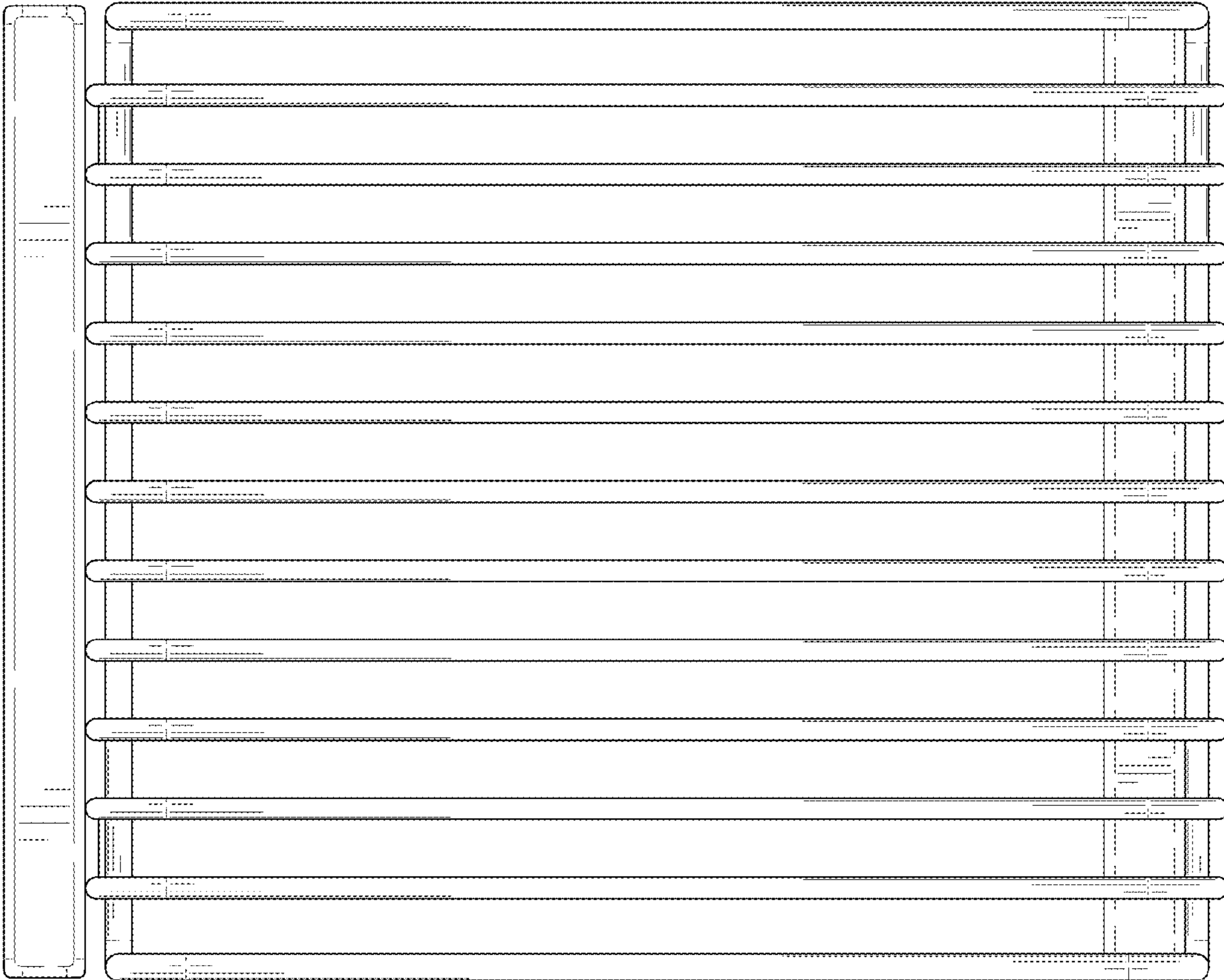


FIG. 6

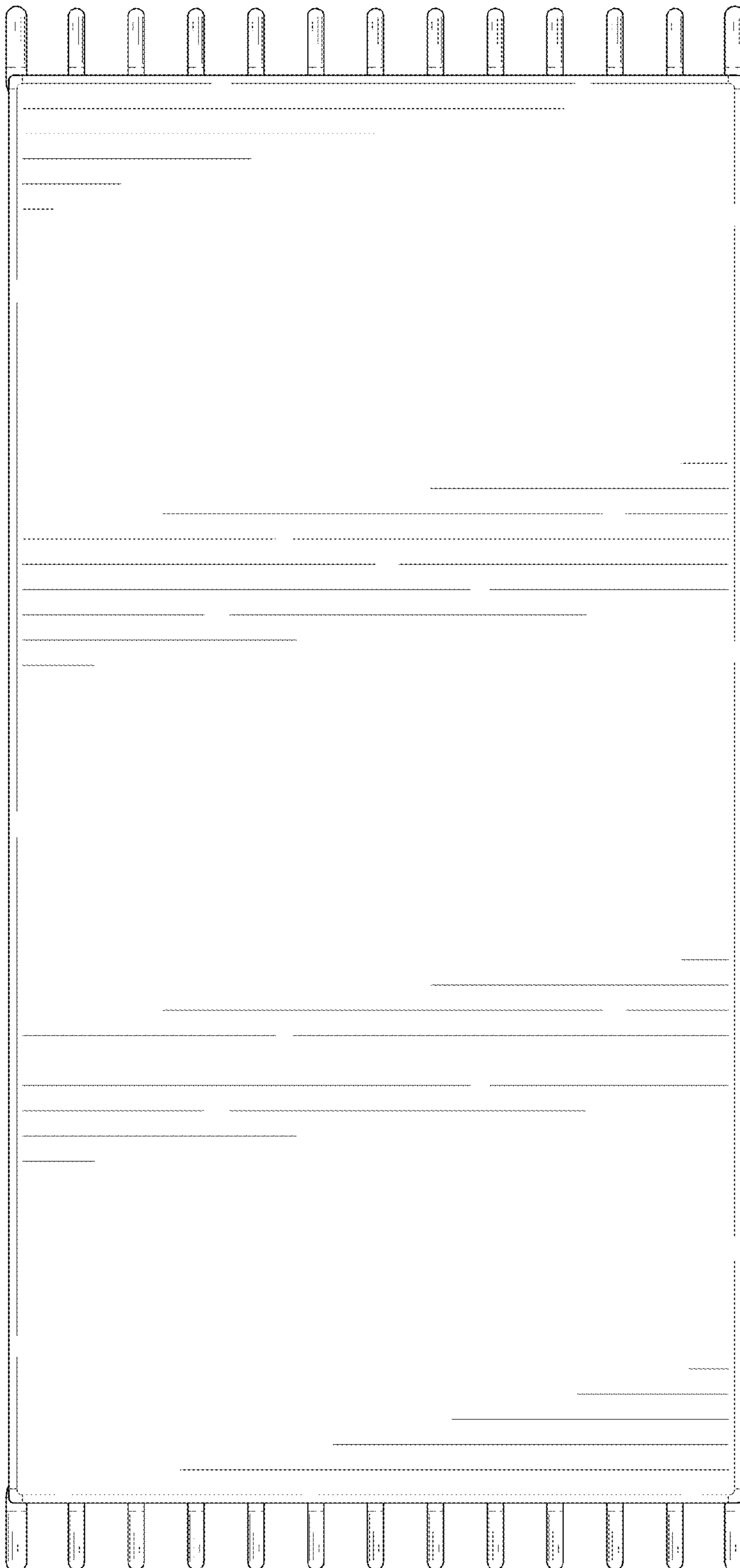


FIG. 7

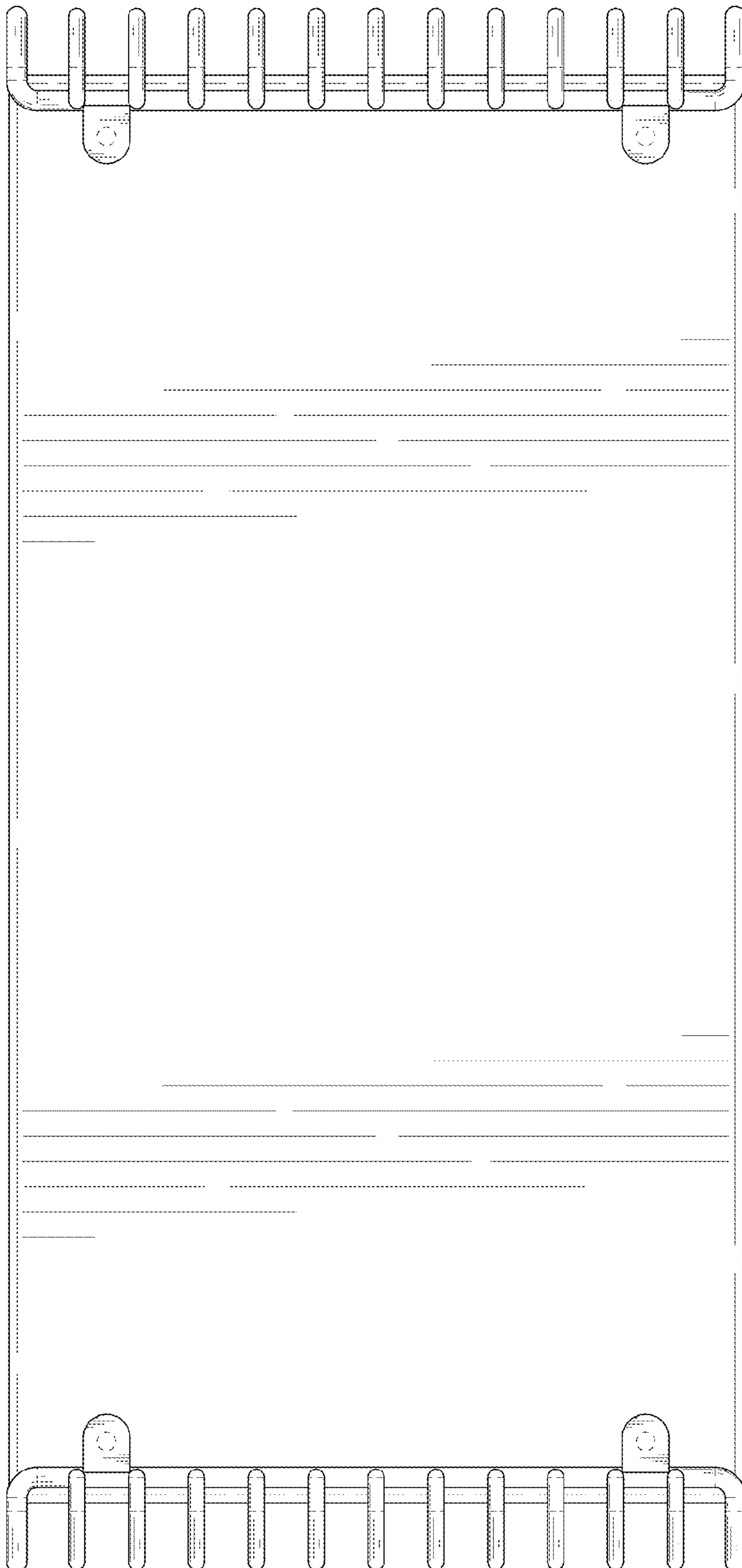


FIG. 8