

US00D967696S

(12) **United States Design Patent**  
**Sivinski et al.**

(10) **Patent No.:** **US D967,696 S**

(45) **Date of Patent:** **\*\* Oct. 25, 2022**

(54) **ROW CLEANER ACCESSORY MODULE FOR AGRICULTURAL TOOL BAR**

(71) Applicant: **Harvest International, Inc.**, Storm Lake, IA (US)

(72) Inventors: **Jeffrey Alan Sivinski**, Cherokee, IA (US); **Byron James Friesen**, Storm Lake, IA (US); **Garry D. Friesen**, Storm Lake, IA (US)

(73) Assignee: **Harvest International, Inc.**, Storm Lake, IA (US)

(\*\*) Term: **15 Years**

(21) Appl. No.: **29/789,044**

(22) Filed: **Aug. 26, 2021**

**Related U.S. Application Data**

(63) Continuation of application No. 16/352,179, filed on Mar. 13, 2019, now Pat. No. 11,185,008.

(51) **LOC (13) Cl.** ..... **08-05**

(52) **U.S. Cl.**  
USPC ..... **D8/354**

(58) **Field of Classification Search**  
USPC ..... D8/349, 354, 363, 367, 373, 382;  
D12/101, 400

(Continued)

(56) **References Cited**

**U.S. PATENT DOCUMENTS**

D272,069 S 1/1984 Larsson  
D272,070 S 1/1984 Larsson

(Continued)

**FOREIGN PATENT DOCUMENTS**

AU 2009100124 A4 3/2009  
CA 2927668 A1 12/2016

(Continued)

**OTHER PUBLICATIONS**

Dawn Floating Trashwheels™ Row Cleaners, [http://www.dawnequipment.com/Floating\\_Trashwheels.html](http://www.dawnequipment.com/Floating_Trashwheels.html), pp. 1-11, Nov. 8, 2021.

(Continued)

*Primary Examiner* — Keli L Hill

*Assistant Examiner* — Harold E Blackwell, II

(74) *Attorney, Agent, or Firm* — McKee, Voorhees & Sease, PLC

(57) **CLAIM**

We claim the ornamental design for row cleaner accessory module for agricultural tool bar, substantially as shown and described.

**DESCRIPTION**

FIG. 1 is perspective view of the row cleaner accessory module for the agricultural tool bar accessory, according to the present invention.

FIG. 2 is a right side elevation view of the row cleaner accessory module shown in FIG. 1.

FIG. 3 is a left side elevation view of the row cleaner accessory module shown in FIG. 1.

FIG. 4 is a front elevation view of the row cleaner accessory module shown in FIG. 1.

FIG. 5 is a rear elevation view of the row cleaner accessory module shown in FIG. 1.

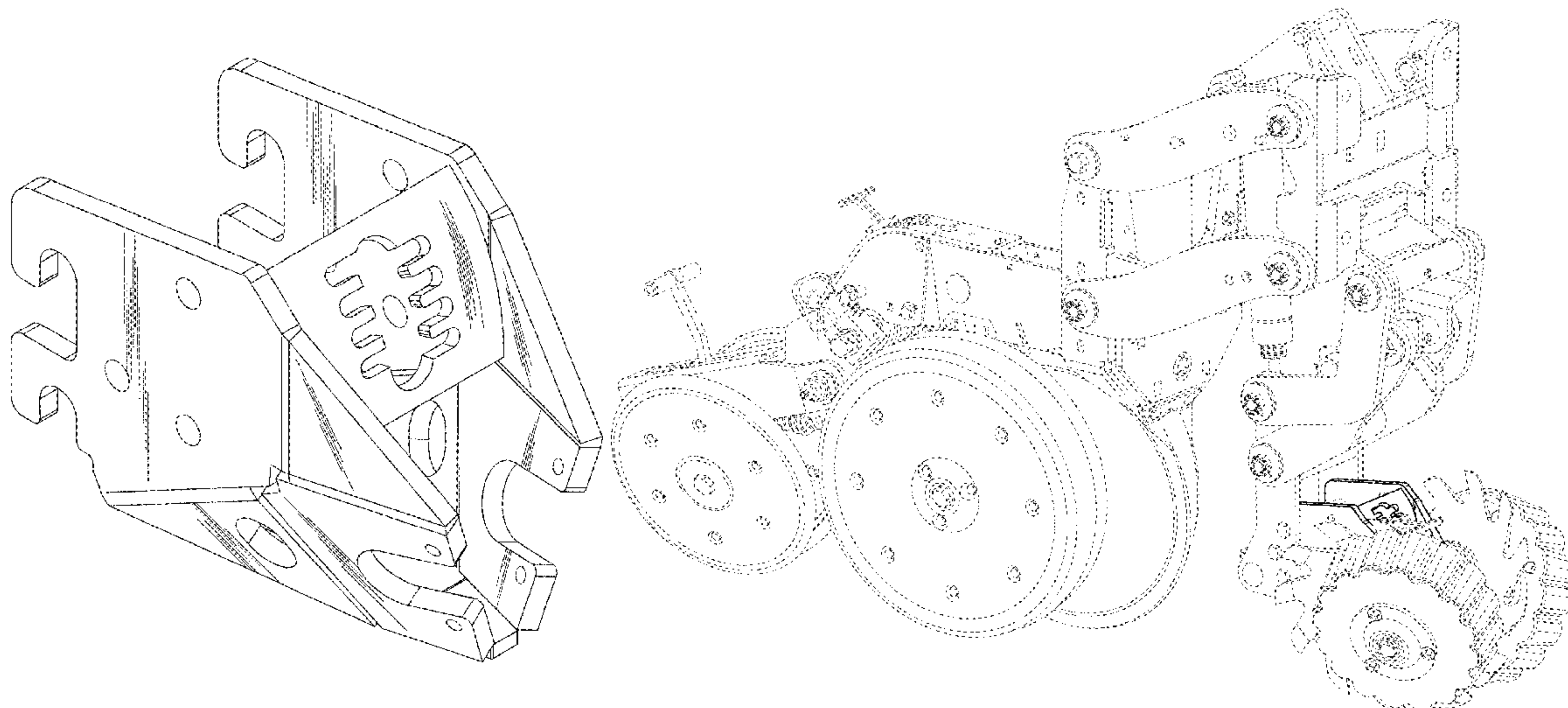
FIG. 6 is a top plan view of the row cleaner accessory module shown in FIG. 1.

FIG. 7 is a bottom plan view of the row cleaner accessory module shown in FIG. 1; and,

FIG. 8 is a perspective view of the row cleaner accessory module shown in FIG. 1, as utilized on an agricultural tool bar.

The broken lines in the drawings illustrate portions of row cleaner accessory module for agricultural tool bar which form no part of the claimed design.

**1 Claim, 8 Drawing Sheets**



(58) **Field of Classification Search**  
 CPC ..... A01C 7/203; A01C 7/208; A01B 59/00  
 See application file for complete search history.

(56) **References Cited**

U.S. PATENT DOCUMENTS

D272,250 S	1/1984	Larsson	
4,796,550 A	1/1989	Van Natta et al.	
5,332,353 A *	7/1994	Arnold .....	E02F 3/3622 172/275
5,341,754 A	8/1994	Winterton	
5,497,716 A	3/1996	Shoup	
6,070,673 A	6/2000	Wendte	
D440,983 S	4/2001	Miller et al.	
6,253,692 B1	7/2001	Wendling et al.	
D455,762 S	4/2002	Kaczmarzski et al.	
D458,942 S *	6/2002	Balemi .....	D15/28
D599,198 S *	9/2009	Balemi .....	D8/382
7,797,862 B2 *	9/2010	Daraie .....	E02F 3/3622 37/468
7,984,575 B2 *	7/2011	Robl .....	E02F 3/365 37/468
8,006,415 B2 *	8/2011	Short .....	E02F 3/3627 37/468
D645,061 S	9/2011	Plummer	
D709,529 S	7/2014	Hutchinson et al.	
8,869,437 B2 *	10/2014	Robl .....	E02F 3/3663 37/468
8,974,137 B2 *	3/2015	Parker .....	E02F 3/3672 37/468
9,232,687 B2	1/2016	Bassett	
D782,545 S	3/2017	Forth	
9,743,572 B2	8/2017	Martin	
D824,430 S	7/2018	Sivinski et al.	
D840,282 S	2/2019	Coste	

D850,887 S	6/2019	Solow	
D868,845 S	12/2019	Sonerud	
10,512,211 B2 *	12/2019	Sivinski .....	A01C 7/201
10,555,452 B2	2/2020	Martin et al.	
10,765,055 B2 *	9/2020	Sivinski .....	A01C 5/064
11,185,008 B2 *	11/2021	Sivinski .....	A01B 15/16
2010/0180695 A1 *	7/2010	Sauder .....	A01C 5/064 73/862.045
2011/0155031 A1	6/2011	Arnett et al.	
2013/0333599 A1 *	12/2013	Bassett .....	A01C 5/066 111/62
2014/0033958 A1 *	2/2014	Bassett .....	A01B 35/16 111/191
2014/0262377 A1	9/2014	Winick et al.	
2016/0150714 A1	6/2016	Unruh	
2017/0258002 A1	9/2017	Sivinski	
2017/0303464 A1 *	10/2017	Sivinski .....	A01C 5/064
2019/0281756 A1	9/2019	Sivinski	

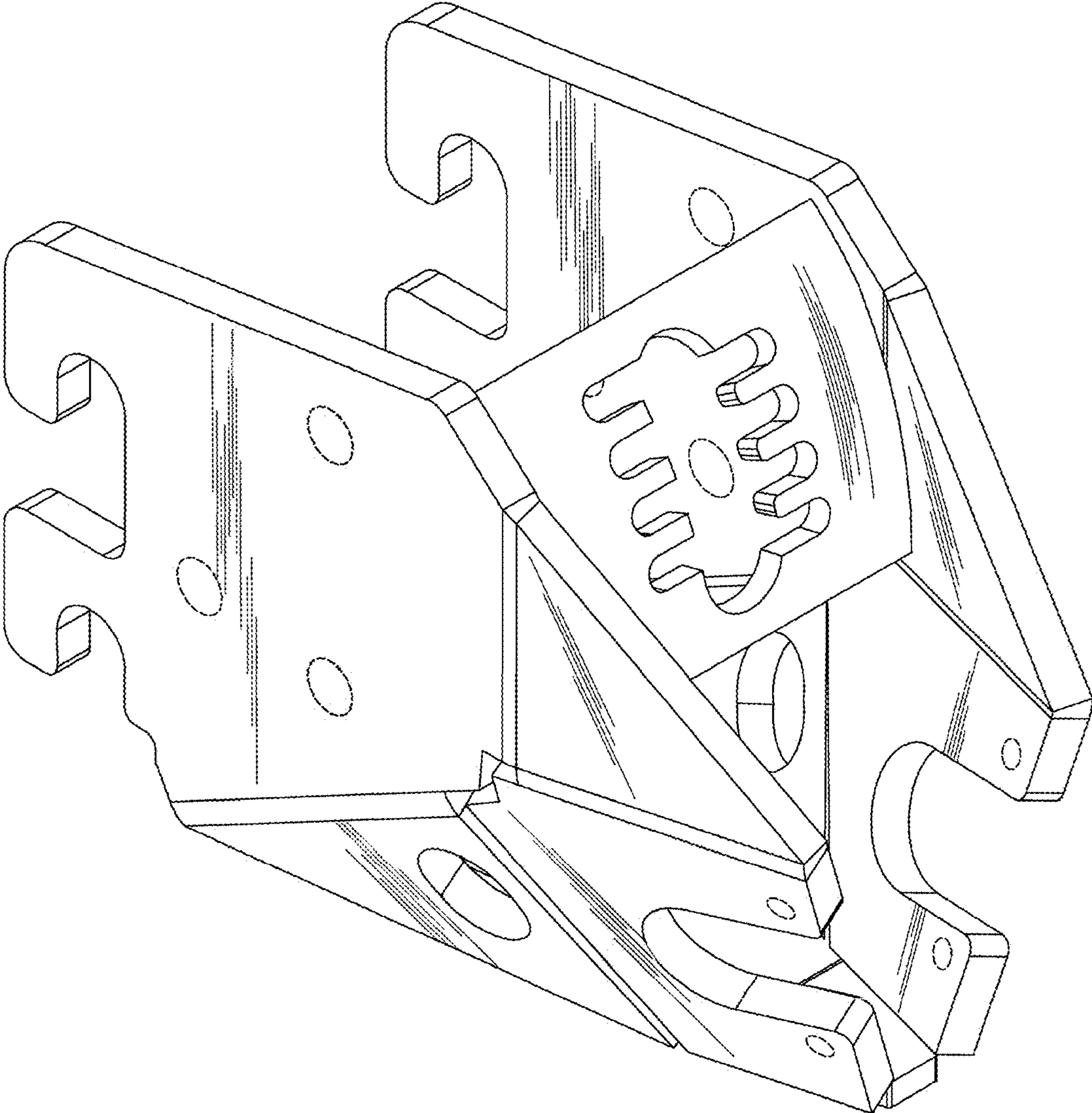
FOREIGN PATENT DOCUMENTS

DE	1967917 U	9/1967
DE	19748837 A1	5/1999
EP	3228170 A1	10/2017
WO	2009149473 A2	12/2009
WO	2010003142 A2	1/2010

OTHER PUBLICATIONS

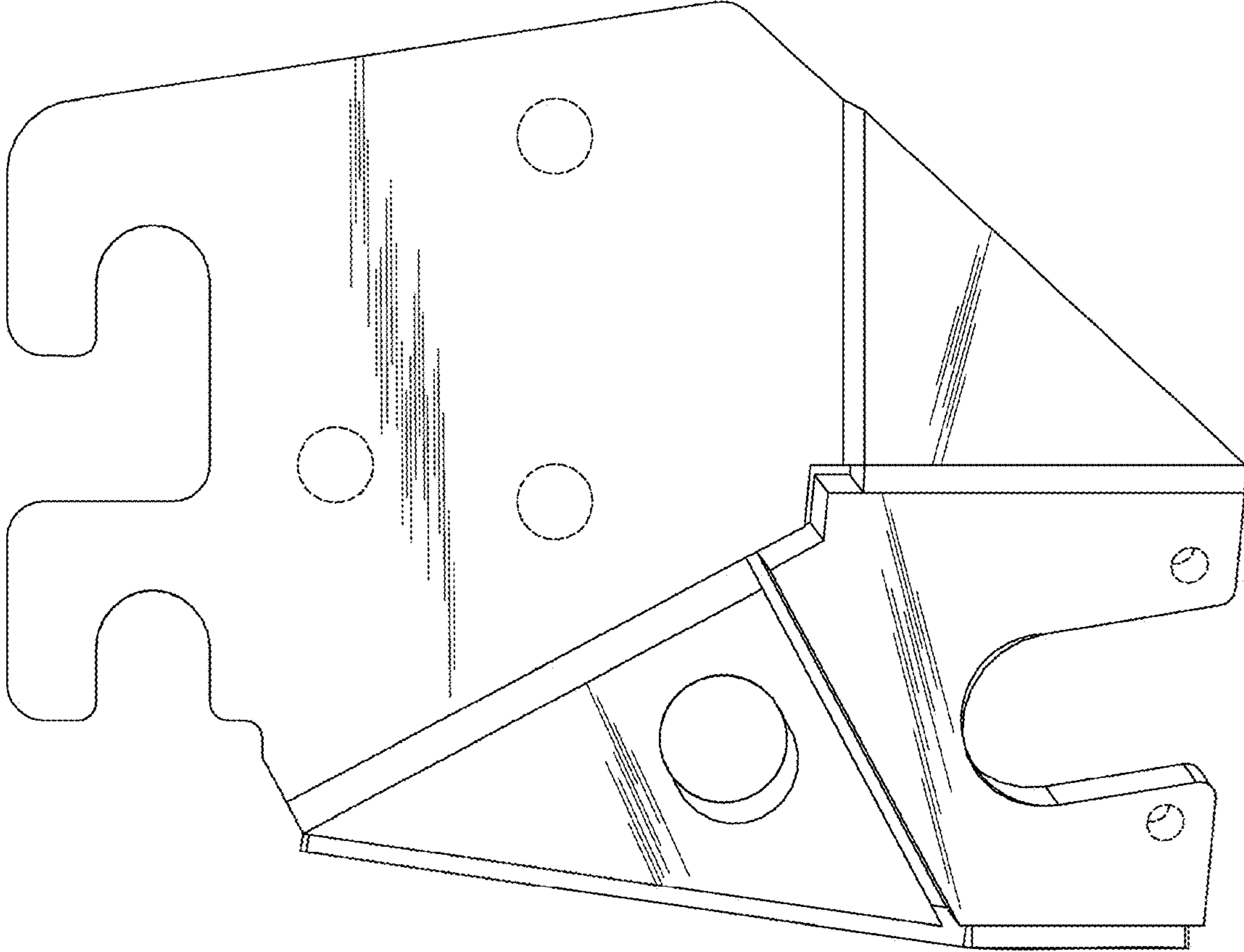
Martin-Till, "ACCR Compact Floating Row Cleaner", Brochure, 1 page, 2021.  
 Yetter Farm Equipment, "2940-010 Air Adjust™ Coulter/Row Cleaner Combo", <https://www.yetterco.com/products/27-plantermount-row-cleaner-combos/298-2940010-air-adjust-coulterrow-cleaner-combo>, pp. 1-4, Nov. 8, 2021.

\* cited by examiner

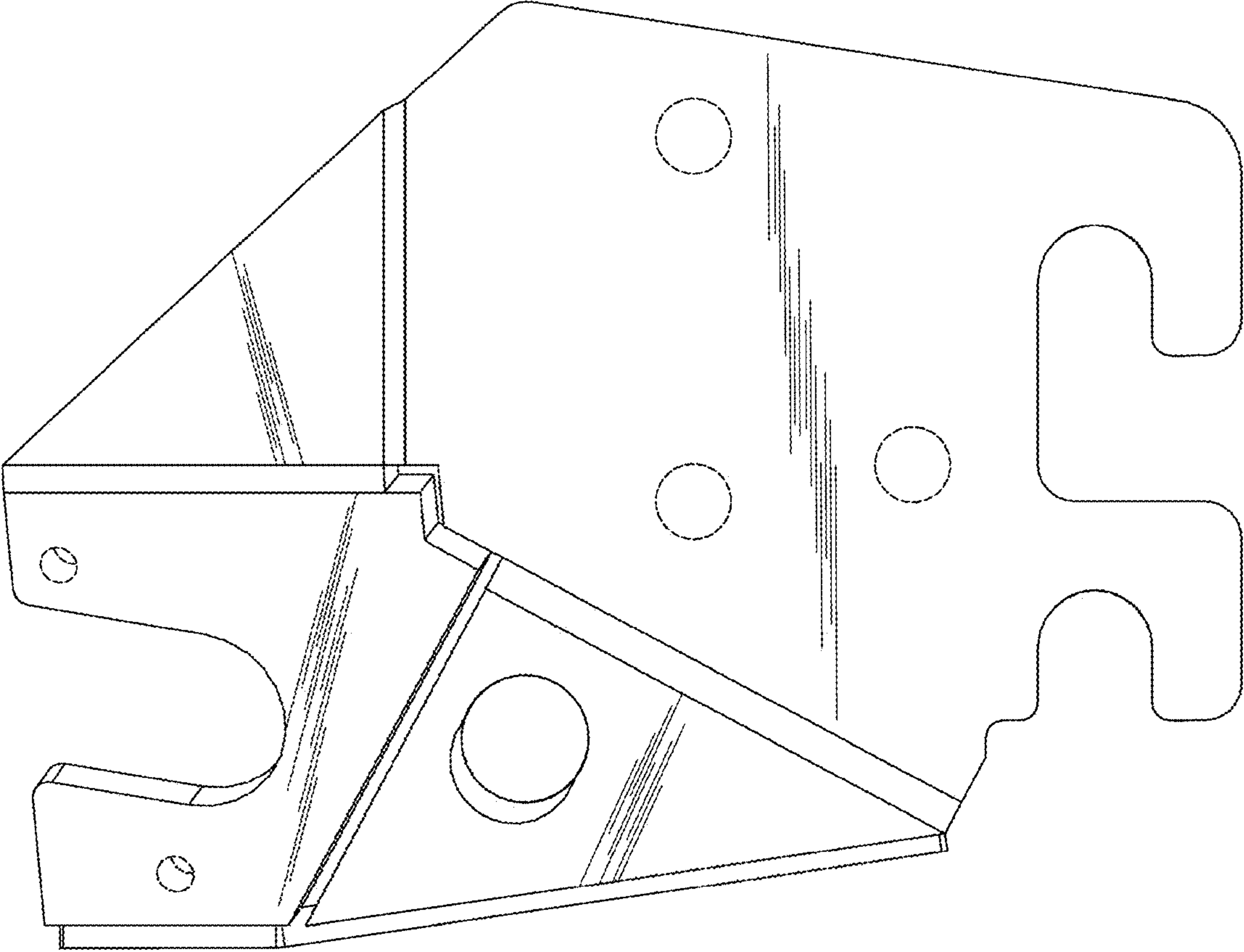


*Fig. 1*

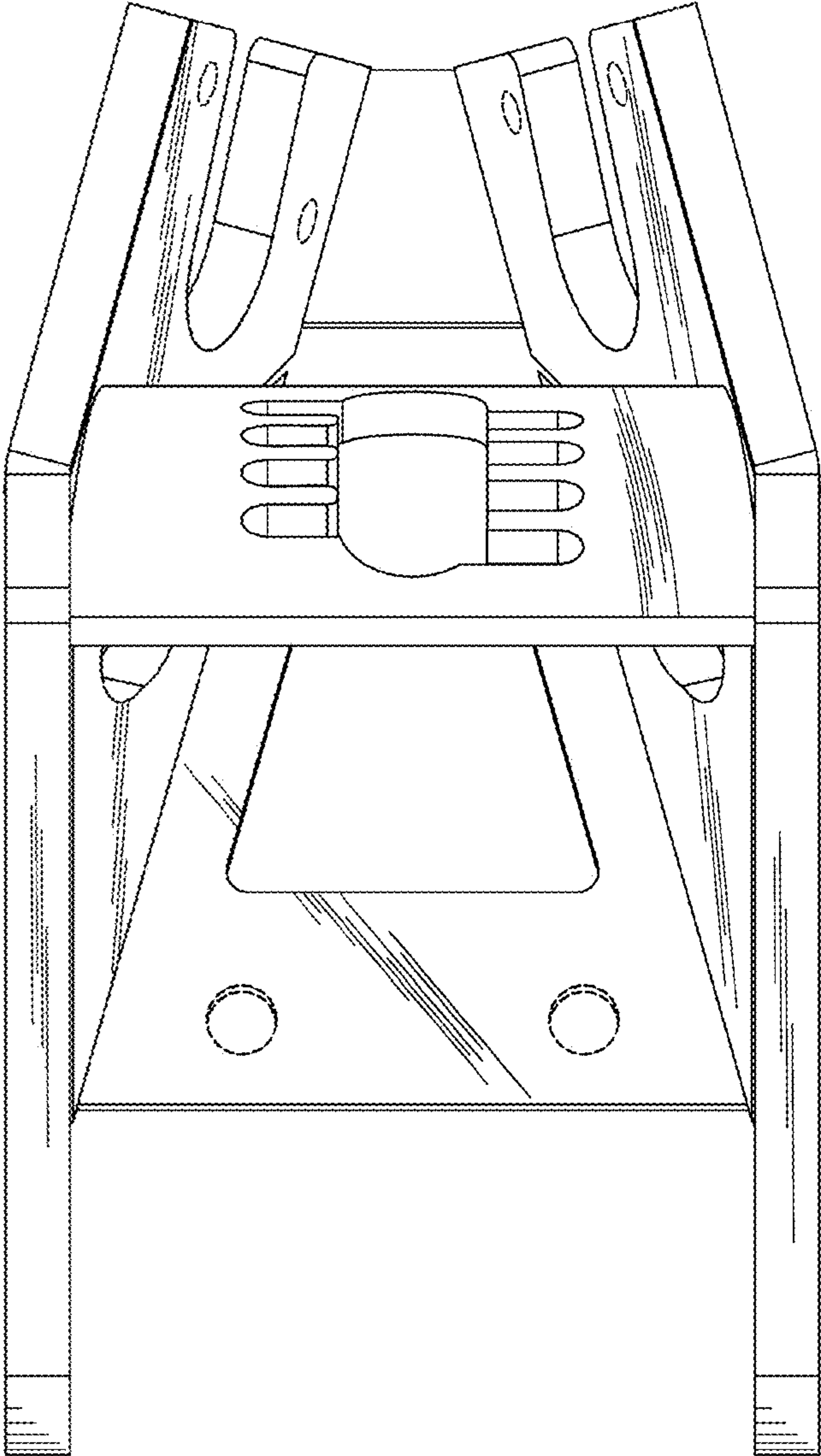




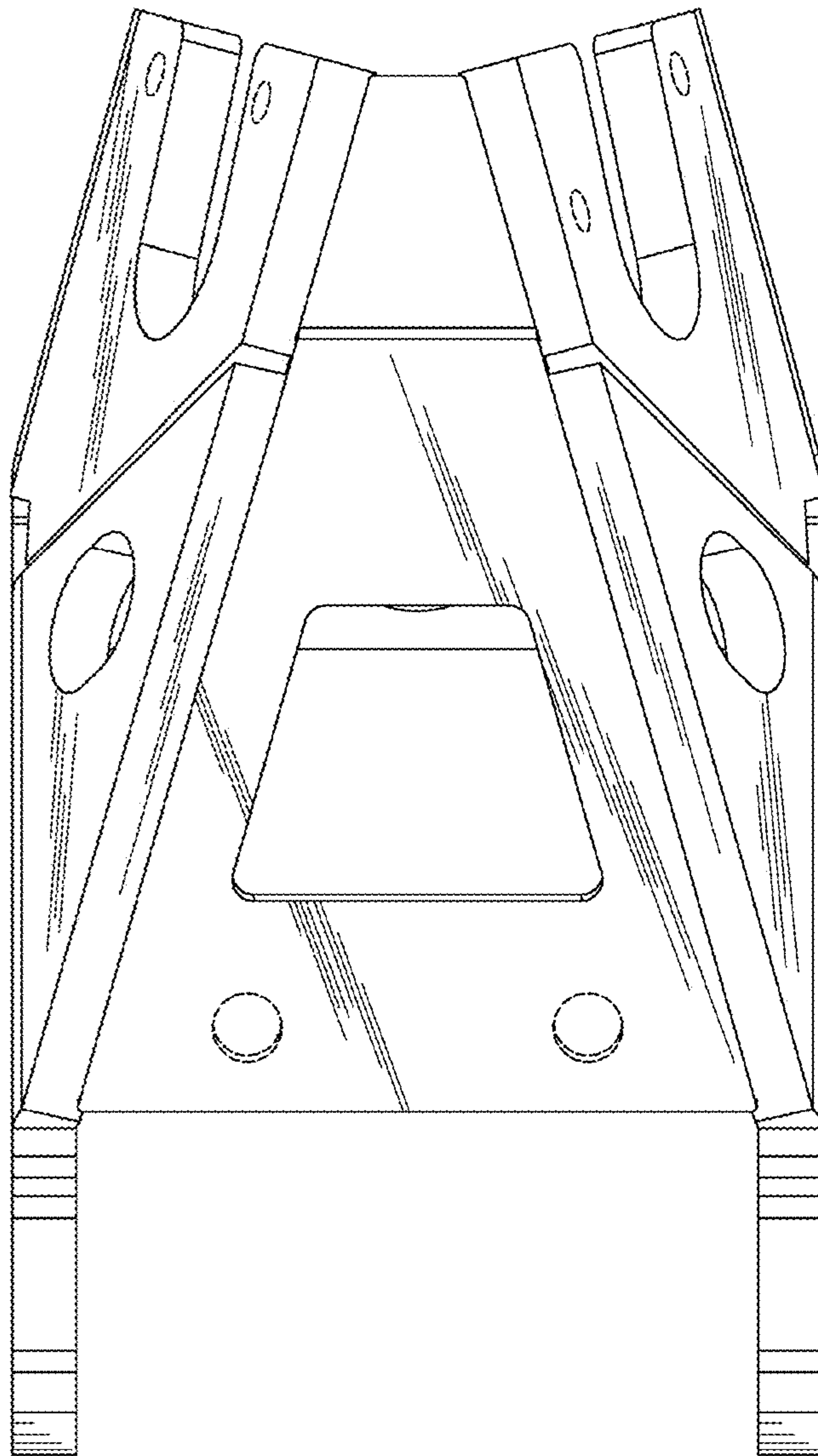
*Fig. 2*



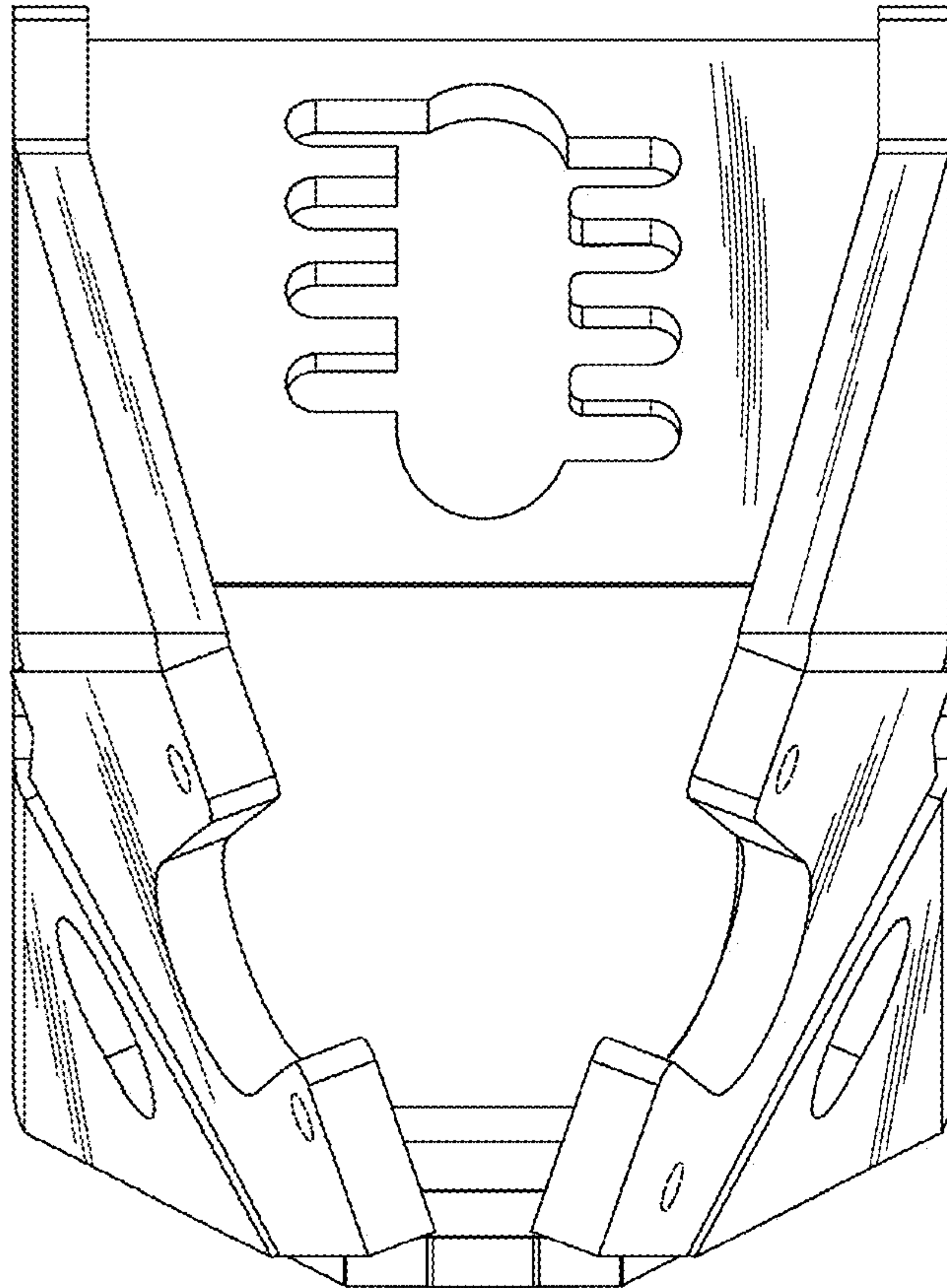
*Fig. 3*



*Fig. 4*

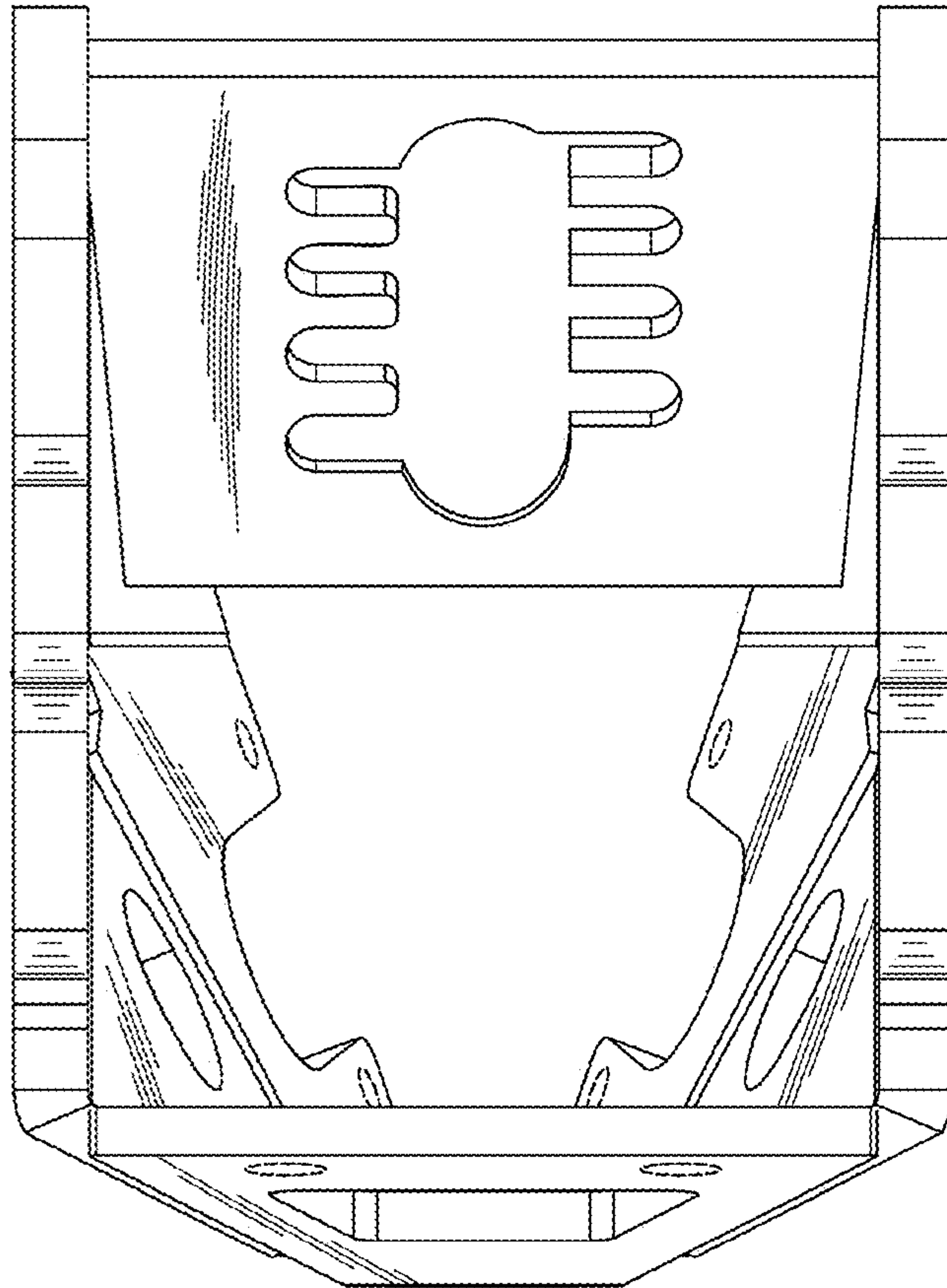


*Fig. 5*



*Fig. 6*





*Fig. 7*

REPLACEMENT SHEET

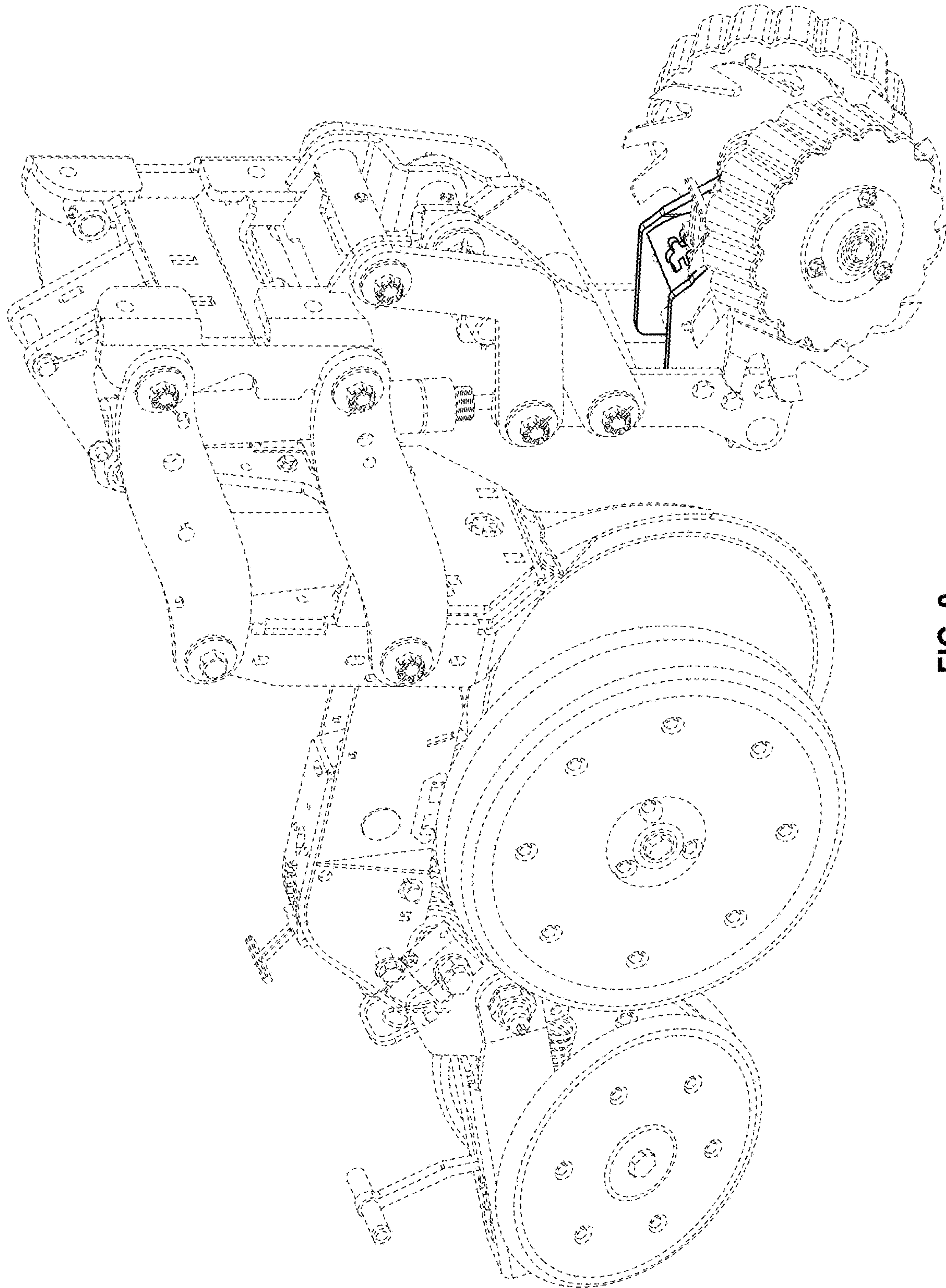


FIG. 8