



US00D967695S

(12) **United States Design Patent** (10) **Patent No.:** **US D967,695 S**
Bromenshenkel et al. (45) **Date of Patent:** **** Oct. 25, 2022**

(54) **PIVOT SUPPORT**
(71) Applicant: **Caterpillar Inc.**, Peoria, IL (US)
(72) Inventors: **Timothy J. Bromenshenkel**, Tuscola, IL (US); **Mark A. Wagner**, Taylorville, IL (US)
(73) Assignee: **Caterpillar Inc.**, Peoria, IL (US)

D891,232 S * 7/2020 Zhang D8/354
D895,403 S * 9/2020 Fox D8/354
D899,225 S * 10/2020 Zhang D8/354
D902,023 S * 11/2020 Briese D8/394
D904,170 S * 12/2020 Francis D8/354
D913,525 S * 3/2021 Xuewei D25/38.1
D945,857 S * 3/2022 Smith D8/354
D946,378 S * 3/2022 Hummel D8/354
D947,005 S * 3/2022 Pavlov D8/354

(Continued)

(**) Term: **15 Years**

FOREIGN PATENT DOCUMENTS

(21) Appl. No.: **29/710,781**

CN 102815249 B 3/2015
CN 108146316 A 6/2018

(22) Filed: **Oct. 25, 2019**

Primary Examiner — Karen S Acker

(51) **LOC (13) Cl.** **08-05**

Assistant Examiner — Elizabeth S Ko

(52) **U.S. Cl.**
USPC **D8/354**

(74) *Attorney, Agent, or Firm* — Oblon, McClelland, Maier & Neustadt

(58) **Field of Classification Search**
USPC ... D8/354–356, 349, 46, 346, 363–364, 366, D8/400–402, 404, 499; D7/624.1–624.3, D7/633

(57) **CLAIM**

The ornamental design for a pivot support, as shown and described.

CPC ... E04C 5/18; E04C 5/20; E04C 5/168; E04C 2/384; E04C 5/03; E04C 5/201; E04C 5/203; E04C 2/044; E04C 2/288; E04C 2002/047; E04C 2003/026; E04C 5/02; E04C 5/16; E04C 5/163; B62D 17/00; B60R 11/02; B60R 2011/0005; B60R 2011/0071; B60R 11/00; B60R 11/04; B60R 2011/004; B60R 9/04; B60R 9/045; B60R 9/06

DESCRIPTION

See application file for complete search history.

FIG. 1 is a top perspective view of a pivot support according to our design;
FIG. 2 is a top plan view thereof;
FIG. 3 is a front view thereof;
FIG. 4 is a back view thereof;
FIG. 5 is a left side elevational view thereof;
FIG. 6 is a right side elevational view thereof;
FIG. 7 is a bottom perspective view thereof;
FIG. 8 is a bottom plan view thereof; and,
FIG. 9 is a bottom perspective view thereof, in a position of use with an unclaimed bottom of a dump body.

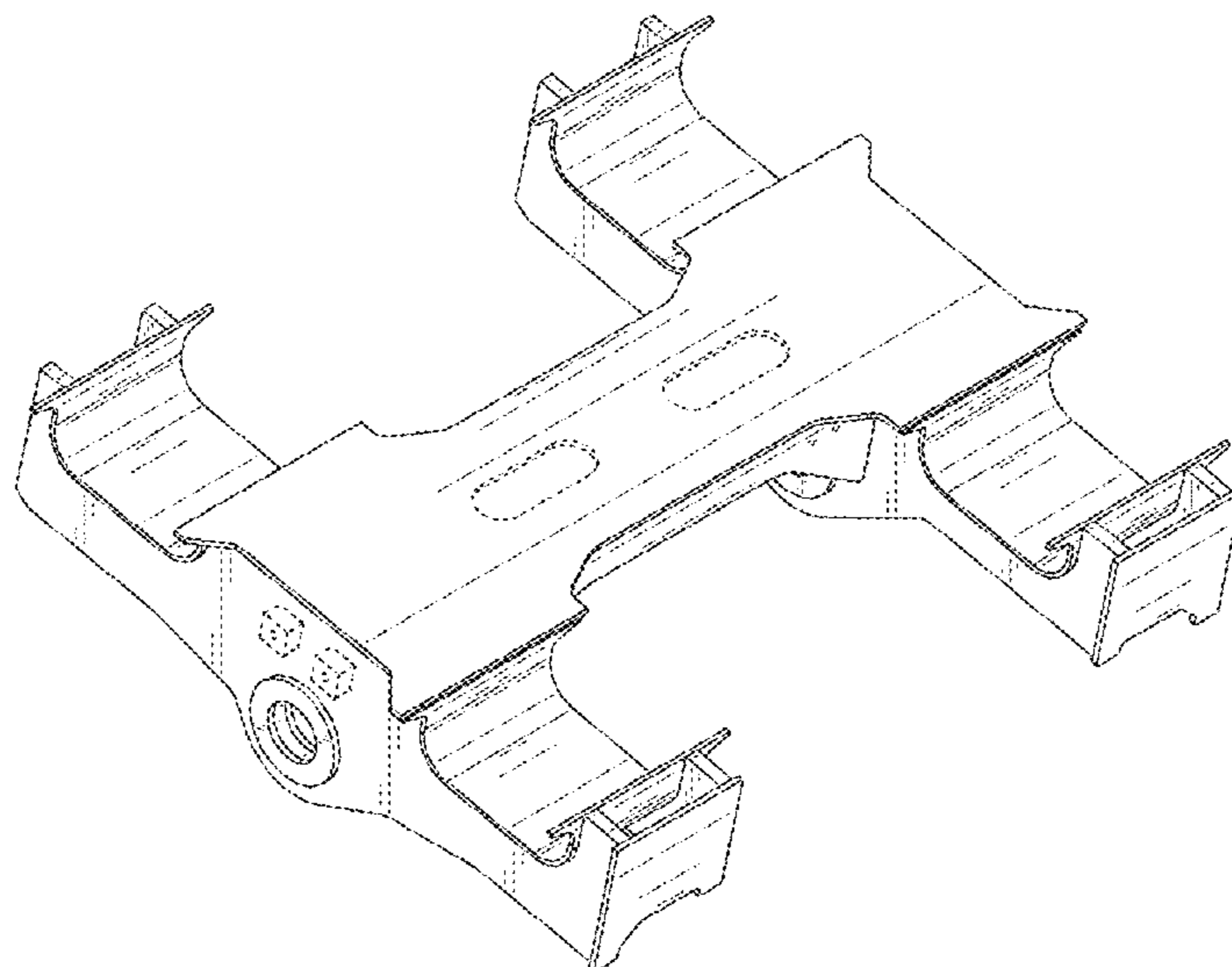
(56) **References Cited**

U.S. PATENT DOCUMENTS

8,635,754 B2 1/2014 Hagenbuch
D775,512 S * 1/2017 White D8/354
9,751,445 B1 9/2017 Arul
D858,255 S * 9/2019 Fox D8/354
D879,216 S * 3/2020 Dunahay D8/354
D887,251 S * 6/2020 Fox D8/354
D891,230 S * 7/2020 Fox D8/354

The broken lines depict portions of the pivot support that form no part of the claimed design.
Additional broken lines in FIG. 9 depict environmental subject matter that forms no part of the claimed design.

1 Claim, 9 Drawing Sheets



(56)

References Cited

U.S. PATENT DOCUMENTS

D951,066 S * 5/2022 Chen D8/354
11,332,936 B1 * 5/2022 Staton E04C 5/20
2015/0375609 A1 12/2015 Mirzaei
2017/0066359 A1 3/2017 Rissman
2018/0312097 A1 11/2018 Petrie
2022/0094149 A1 * 3/2022 Lal H02G 7/05

* cited by examiner

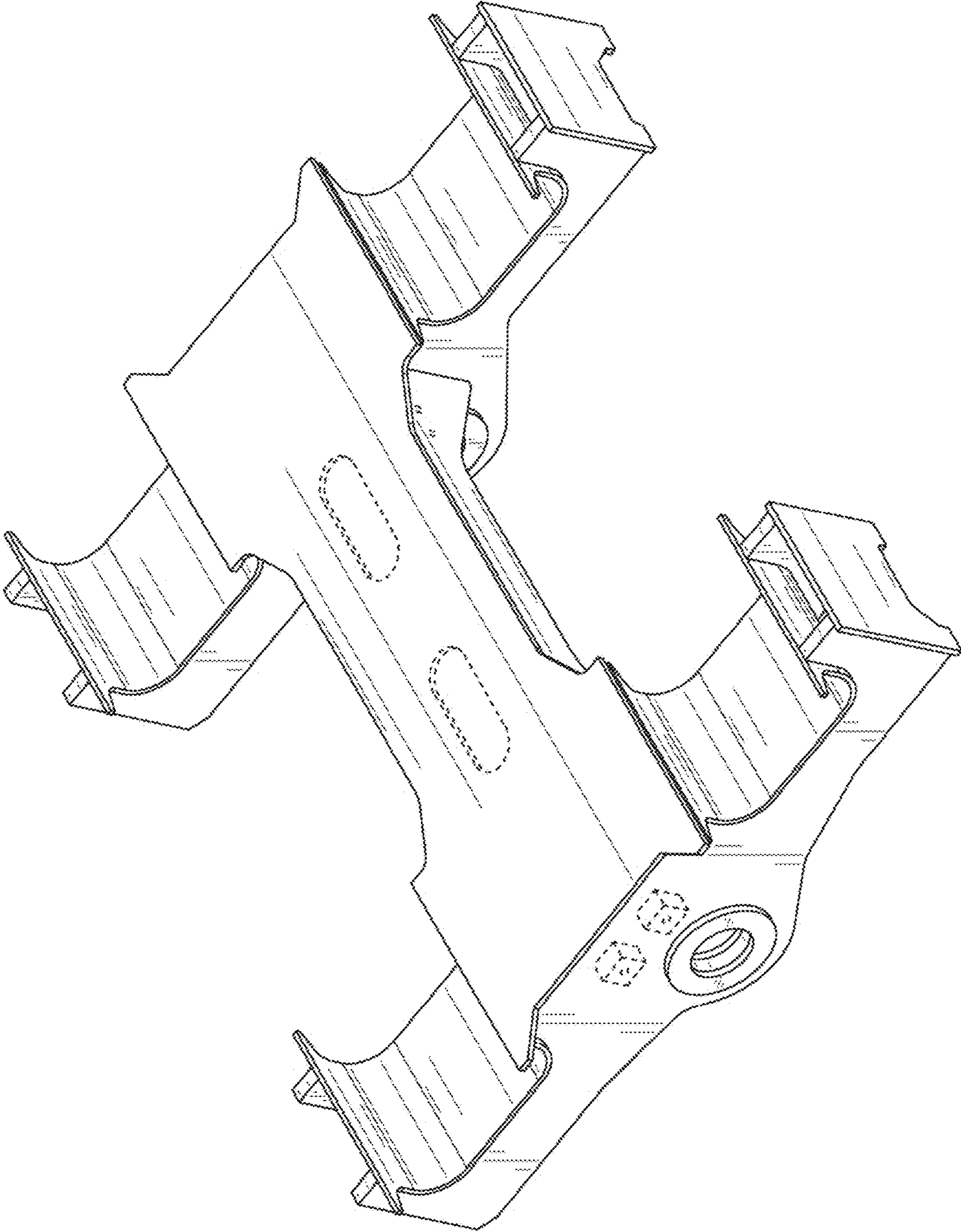


FIG. 1

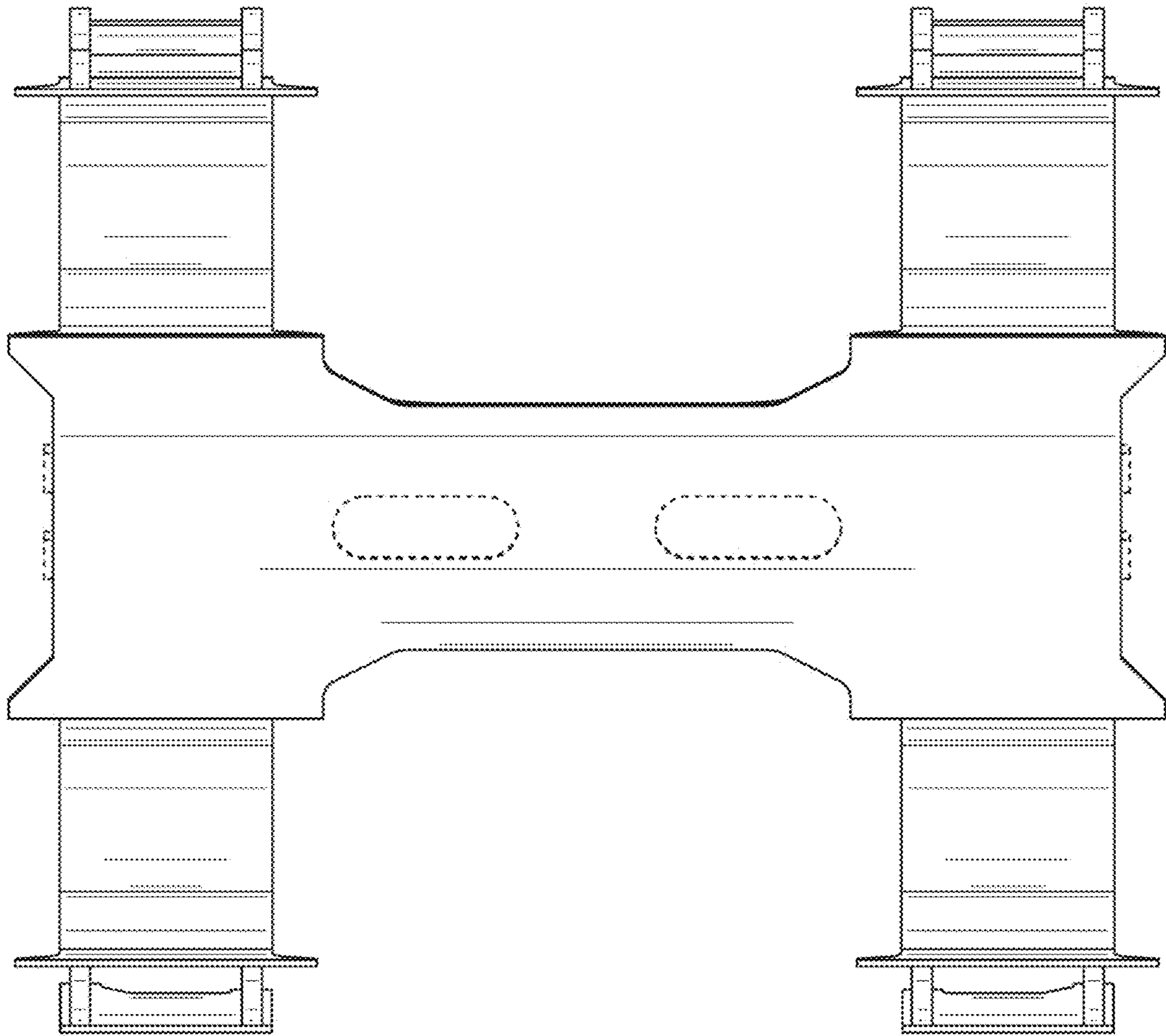


FIG. 2

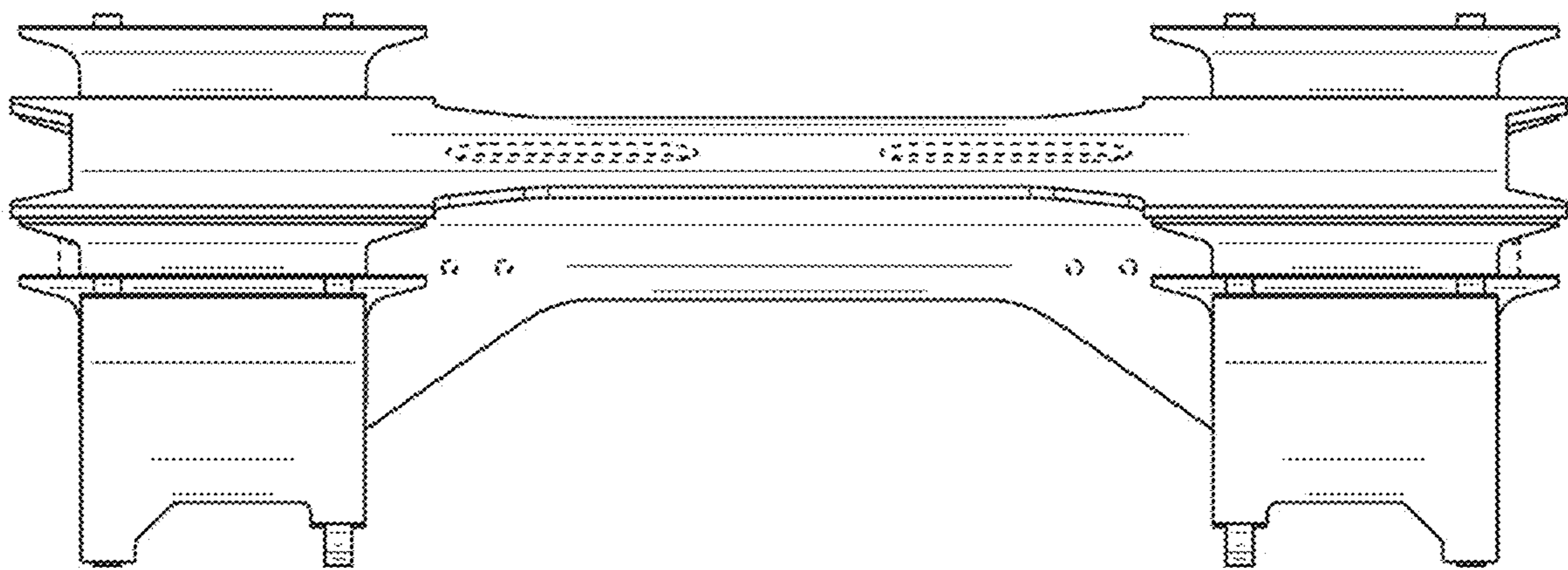


FIG. 3

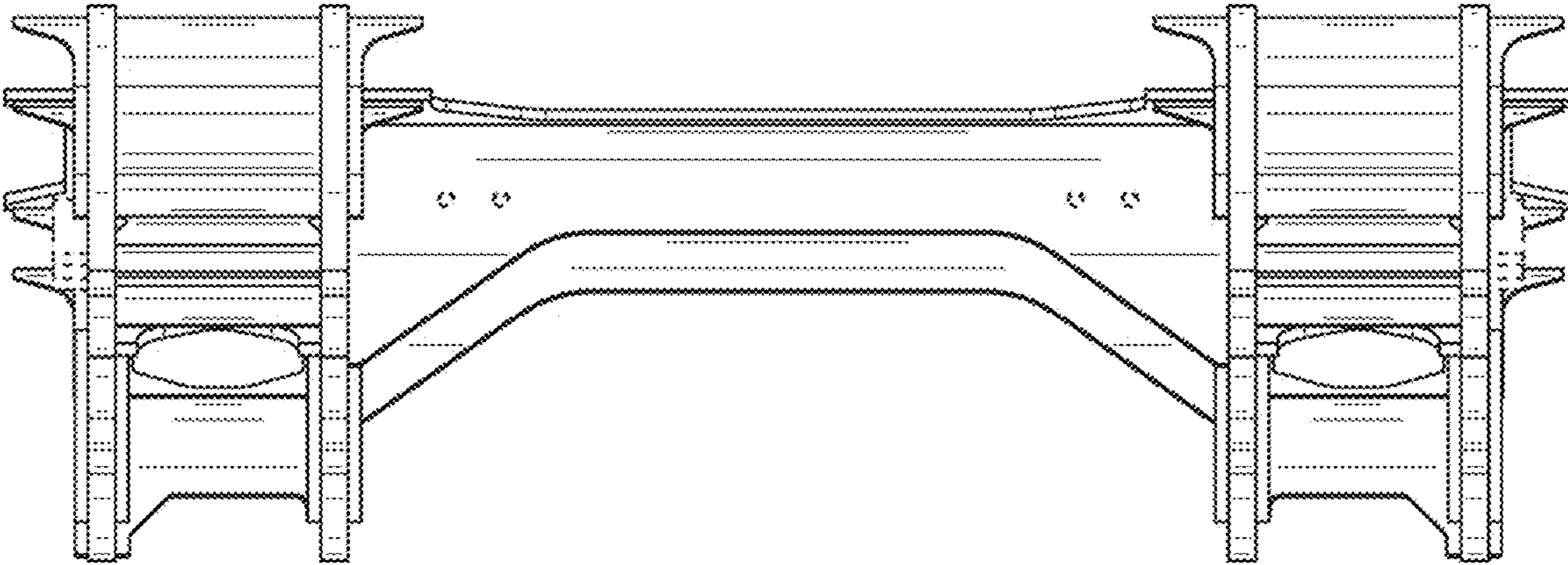


FIG. 4

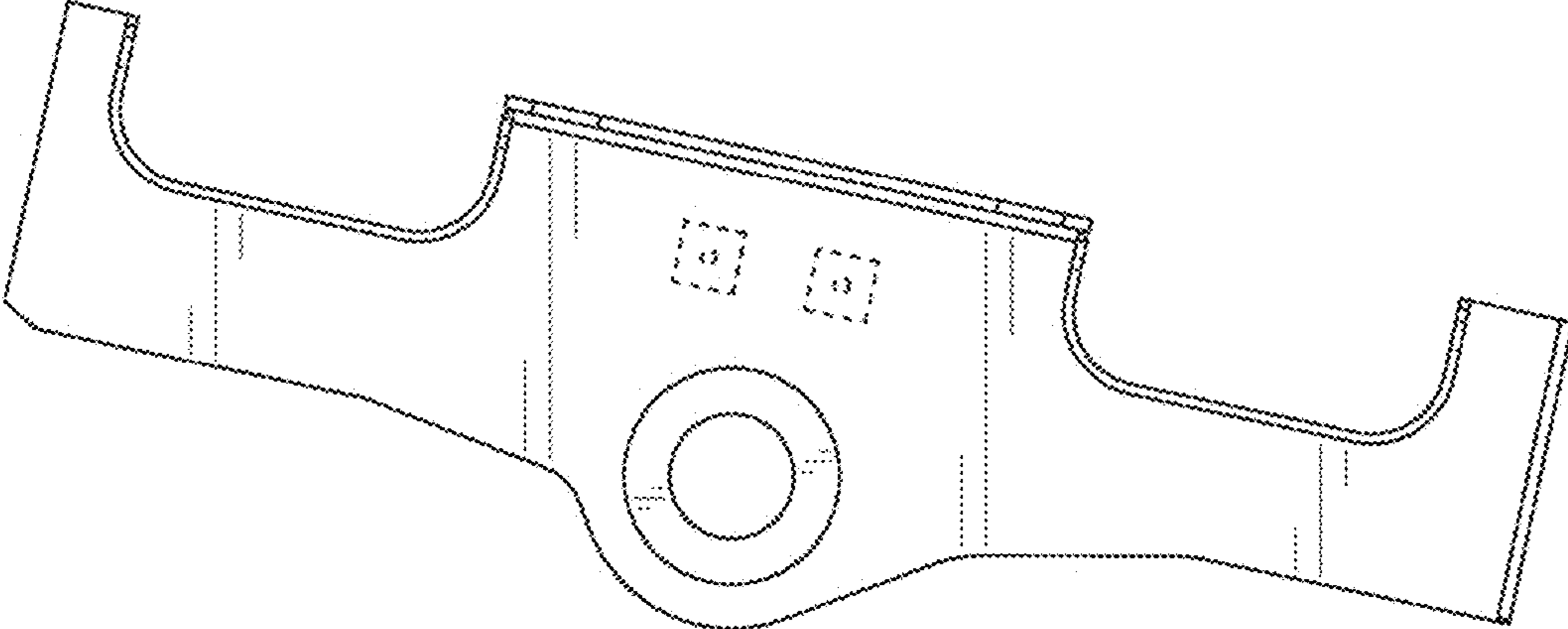


FIG. 5

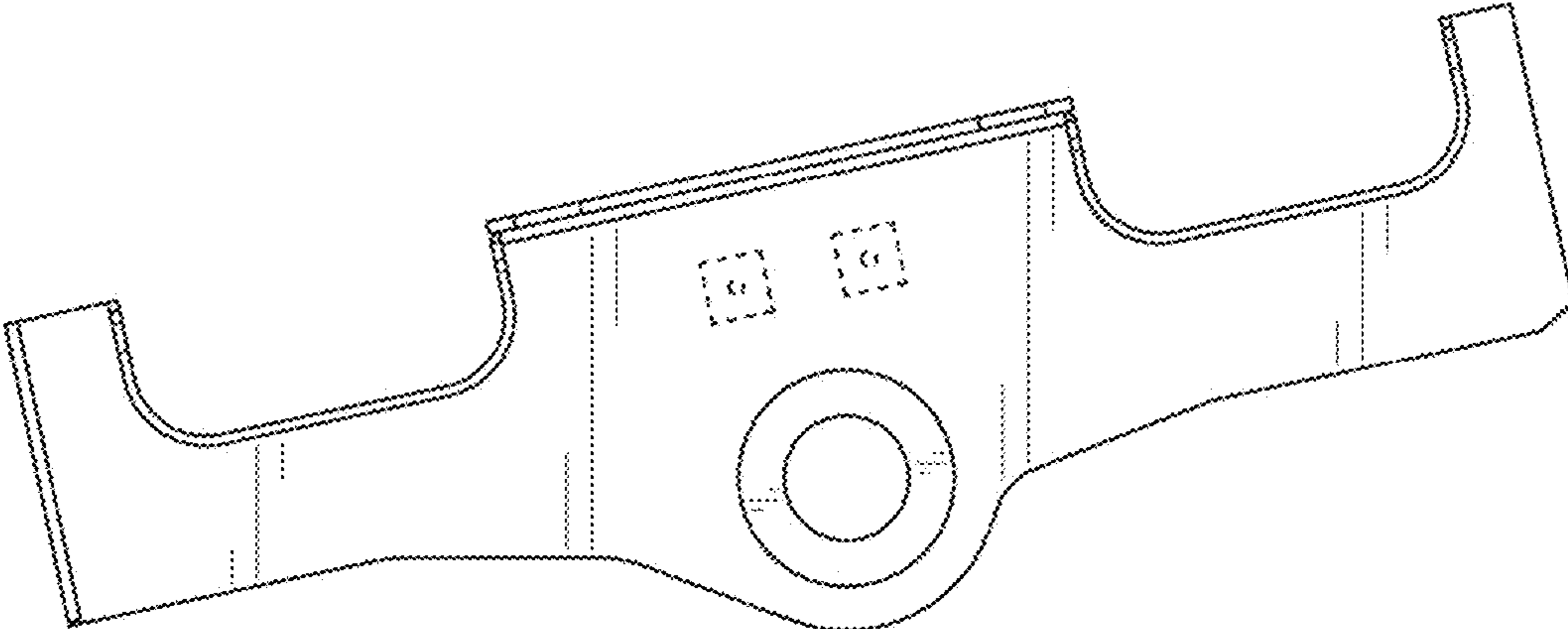


FIG. 6

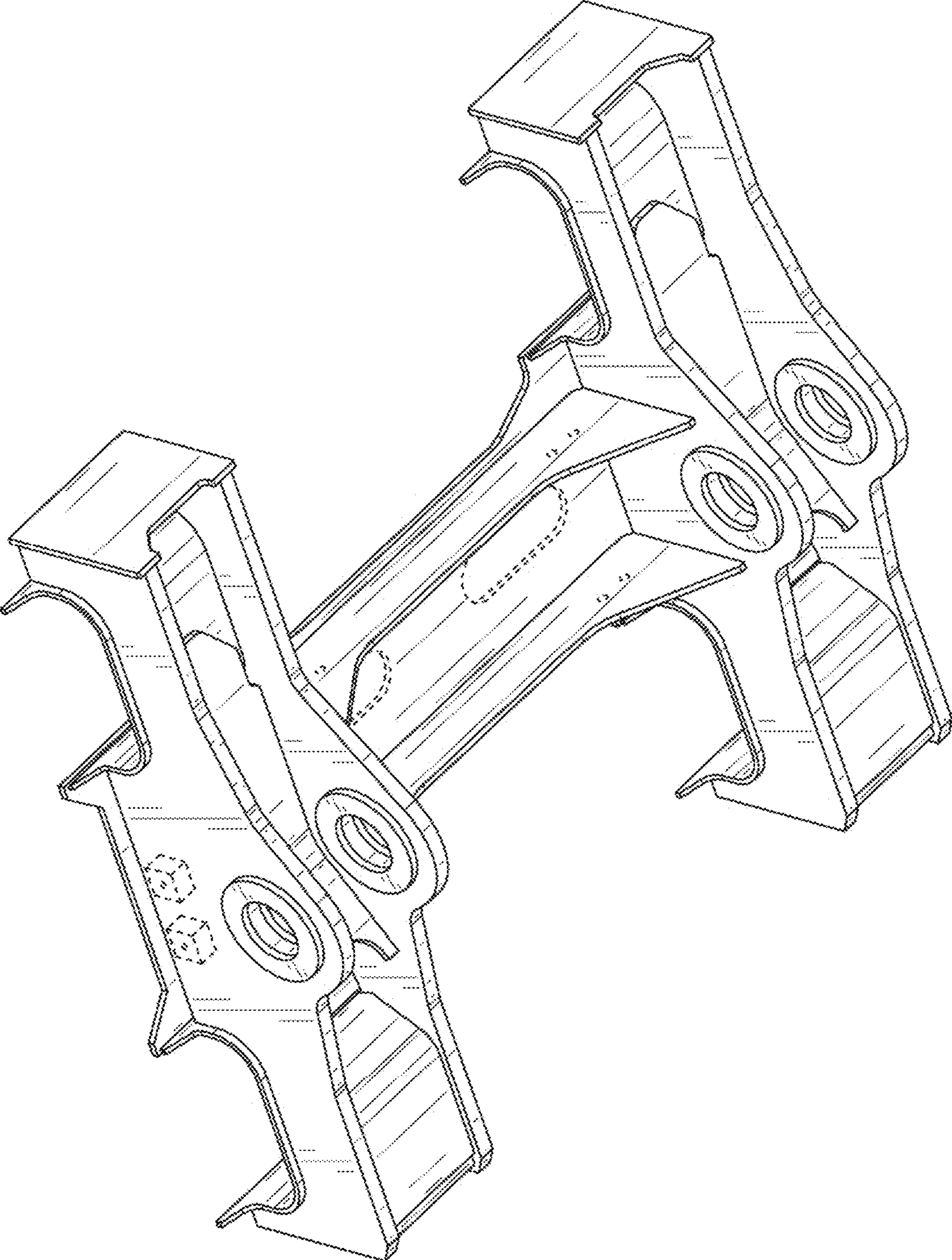


FIG. 7

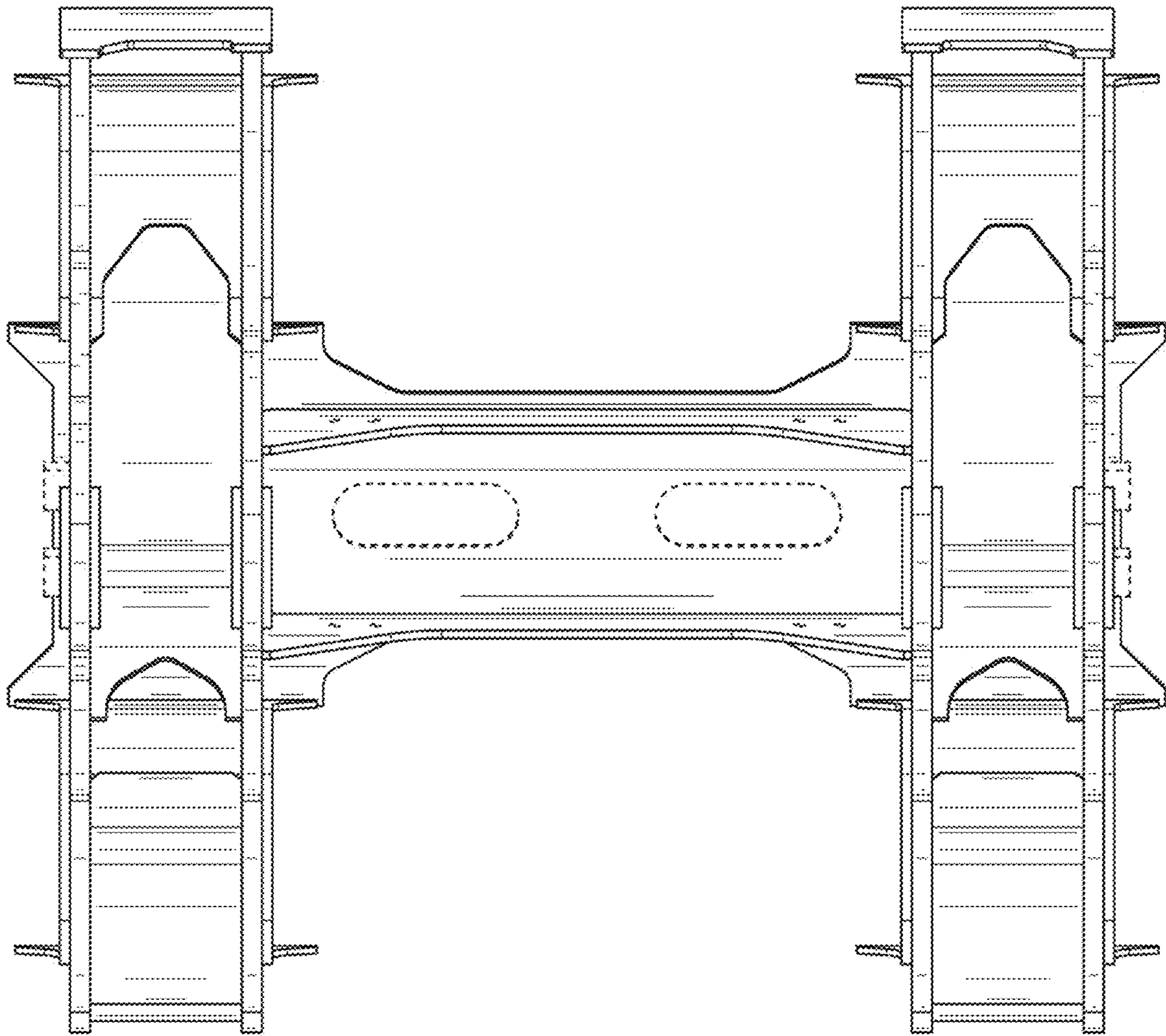


FIG. 8

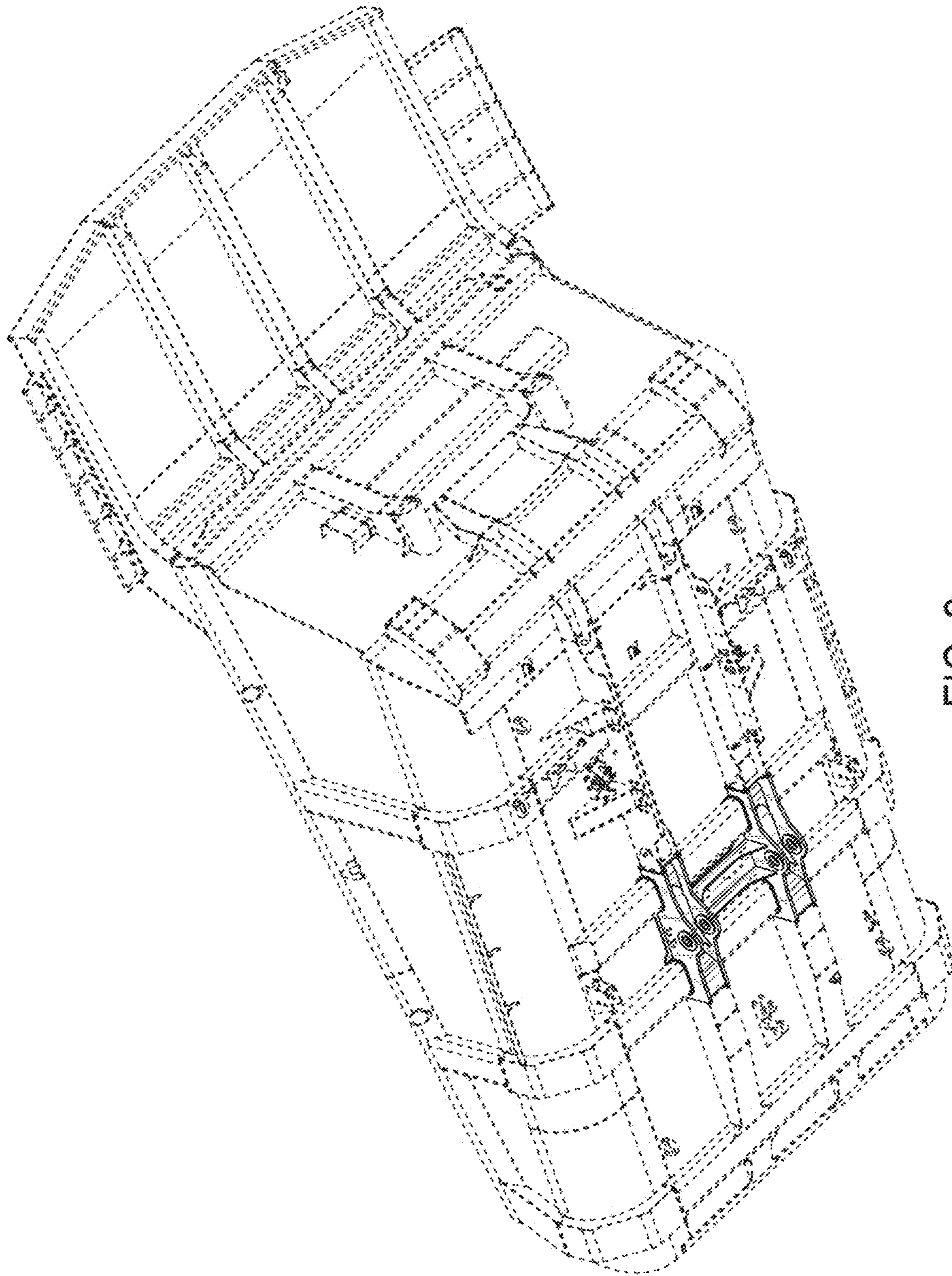


FIG. 9