

US00D967694S

(12) **United States Design Patent**
Lin

(10) **Patent No.:** **US D967,694 S**

(45) **Date of Patent:** **** Oct. 25, 2022**

(54) **BRACKET FOR BASKETBALL GOAL LIGHT**

(71) Applicant: **GUANGDONG VINTOP SPORING GOODS CO., LTD.,** Guangdong (CN)

(72) Inventor: **Wenyao Lin,** Guangzhou (CN)

(73) Assignee: **GUANGDONG VINTOP SPORING GOODS CO., LTD.,** Guangdong (CN)

(**) Term: **15 Years**

(21) Appl. No.: **29/824,465**

(22) Filed: **Jan. 25, 2022**

(51) **LOC (13) Cl.** **08-08**

(52) **U.S. Cl.**
USPC **D8/349;** D8/394

(58) **Field of Classification Search**
USPC D8/363, 373, 354, 394, 349; D16/200,
D16/204, 208, 213-219, 235, 237-250;
D14/203, 209, 217, 224, 250-253, 345,
D14/440

CPC G03B 17/02; G03B 17/04; G03B 17/14;
G03B 21/20-2066; G03B 15/041-0436;
G03B 17/56; G03B 17/19

See application file for complete search history.

(56) **References Cited**

U.S. PATENT DOCUMENTS

- 1,929,542 A * 10/1933 Vandervoort A47B 21/04
312/276
- T102,401 I4 * 11/1982 Toth B23P 15/003
29/898.062
- D276,410 S * 11/1984 Taylor D8/380

- RE31,965 E * 8/1985 Kerfoot, Jr. F16C 27/066
384/535
- D286,977 S * 12/1986 Steck D8/394
- D296,545 S * 7/1988 Sachs D8/394
- D376,388 S * 12/1996 Hall D20/43
- D396,403 S * 7/1998 Whittaker D8/354
- D454,479 S * 3/2002 Kolpin D8/355
- D609,079 S * 2/2010 Wheeler D8/363
- D705,645 S * 5/2014 Bakos D8/380
- 9,932,059 B1 * 4/2018 Kruppa F16D 65/02
- 9,982,417 B1 * 5/2018 Humble E03B 1/042
- D844,220 S 3/2019 Brangers et al.
- D878,184 S * 3/2020 Holloway D8/394
- D901,665 S * 11/2020 Kunyckyj 52/255
- D937,663 S 12/2021 Welander et al.
- 11,299,891 B1 * 4/2022 Nelson E04C 3/09

* cited by examiner

Primary Examiner — Mark A Goodwin

(74) *Attorney, Agent, or Firm* — ScienBiziP, P.C.

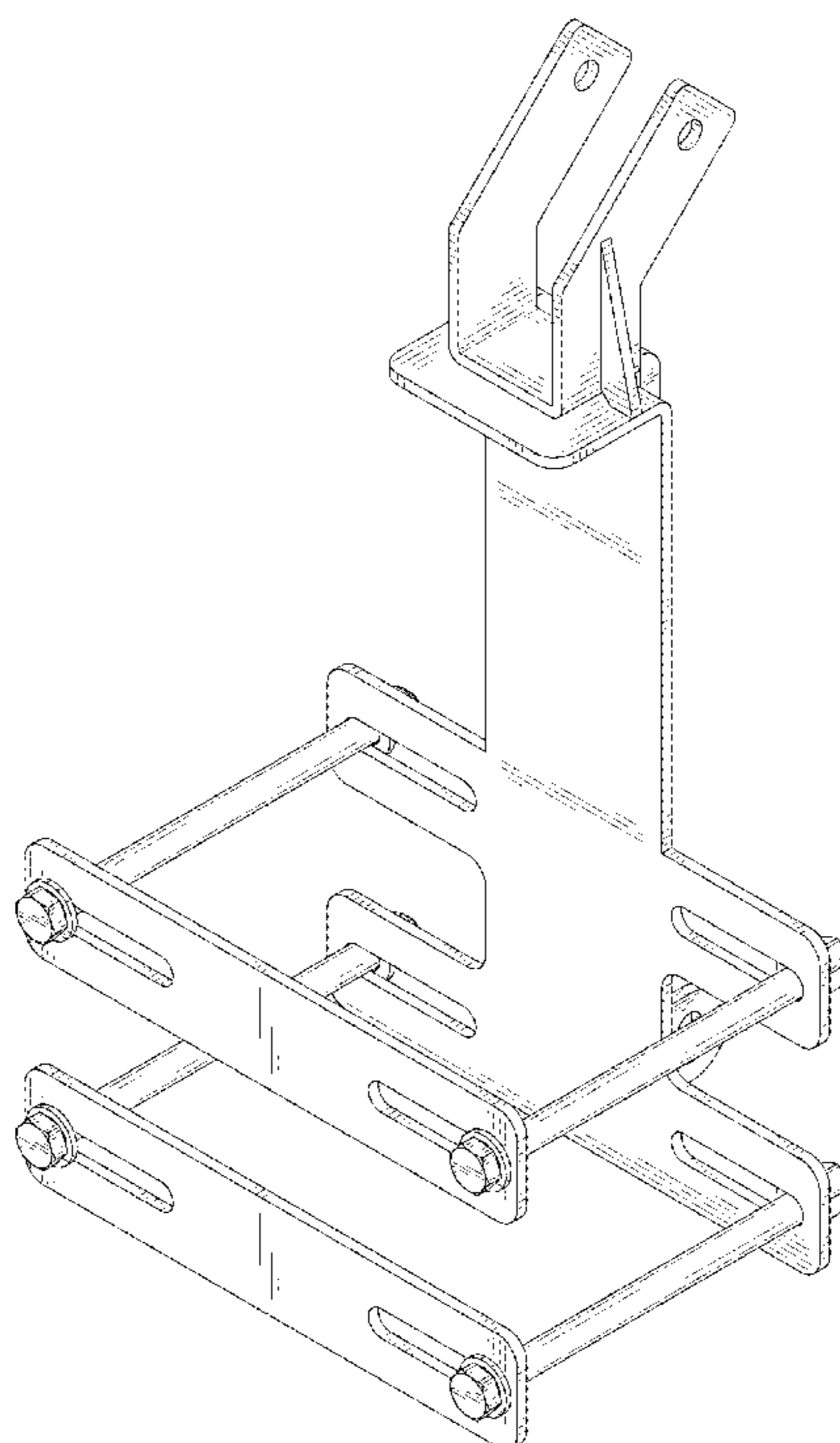
(57) **CLAIM**

The ornamental design for a bracket for basketball goal light, as shown and described.

DESCRIPTION

FIG. 1 is a front, right and top perspective view of a bracket for basketball goal light, showing my design.
 FIG. 2 is a rear, left and bottom perspective view thereof.
 FIG. 3 is a front elevation view thereof.
 FIG. 4 is a rear elevation view thereof.
 FIG. 5 is a left side elevation view thereof.
 FIG. 6 is a right side elevation view thereof.
 FIG. 7 is a top plan view thereof; and,
 FIG. 8 is a bottom plan view thereof.

1 Claim, 8 Drawing Sheets



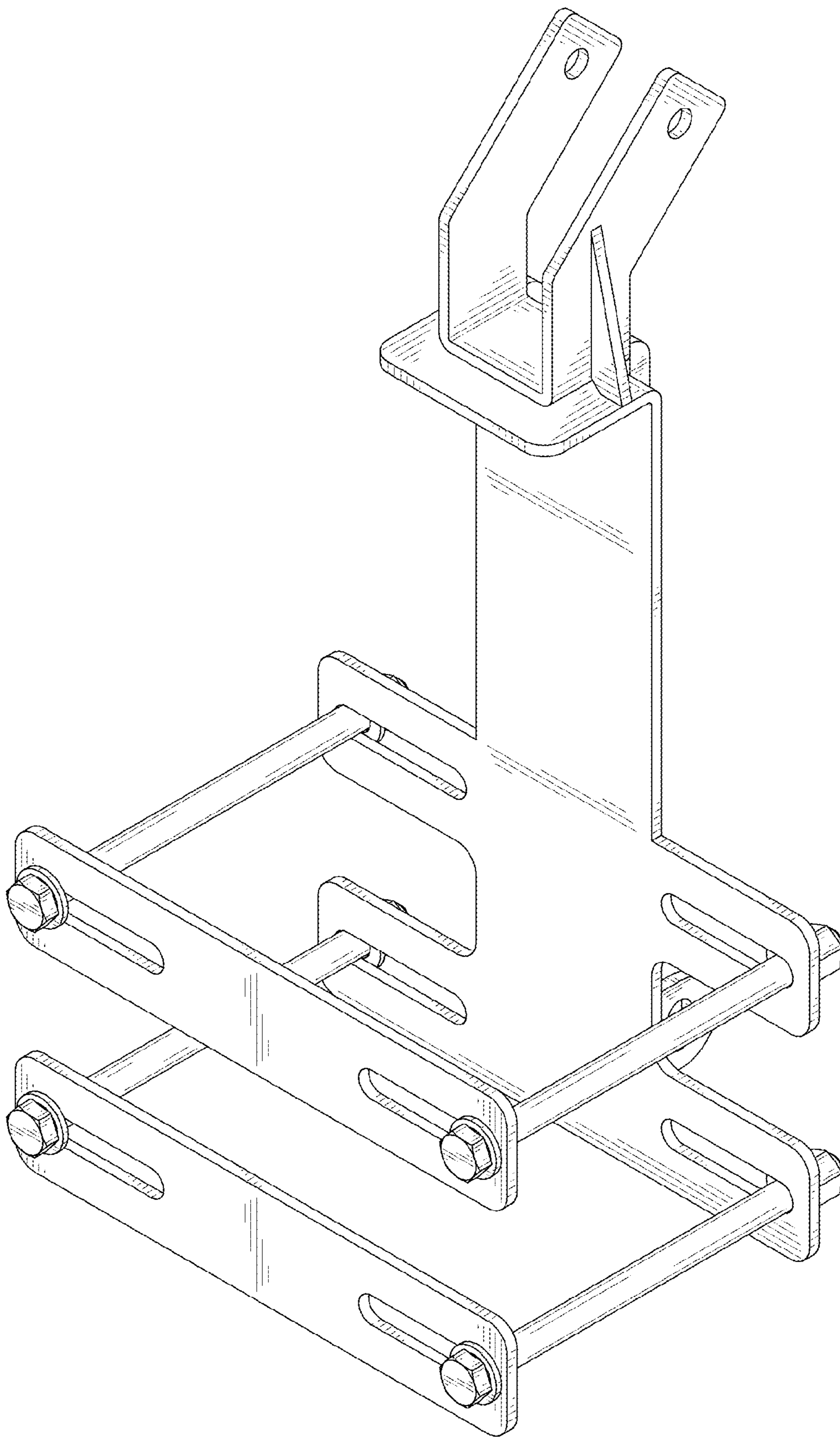


FIG. 1

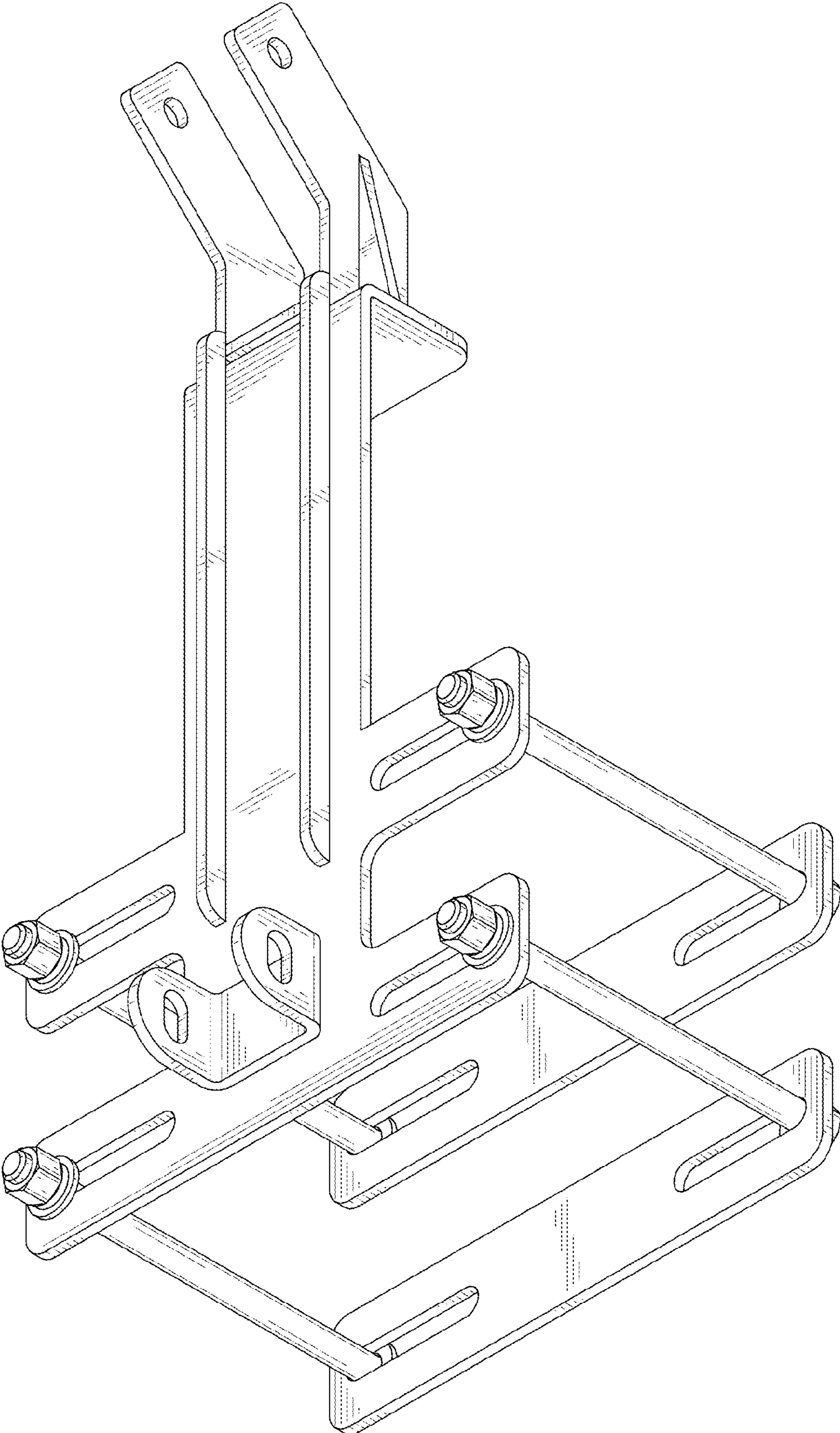


FIG. 2

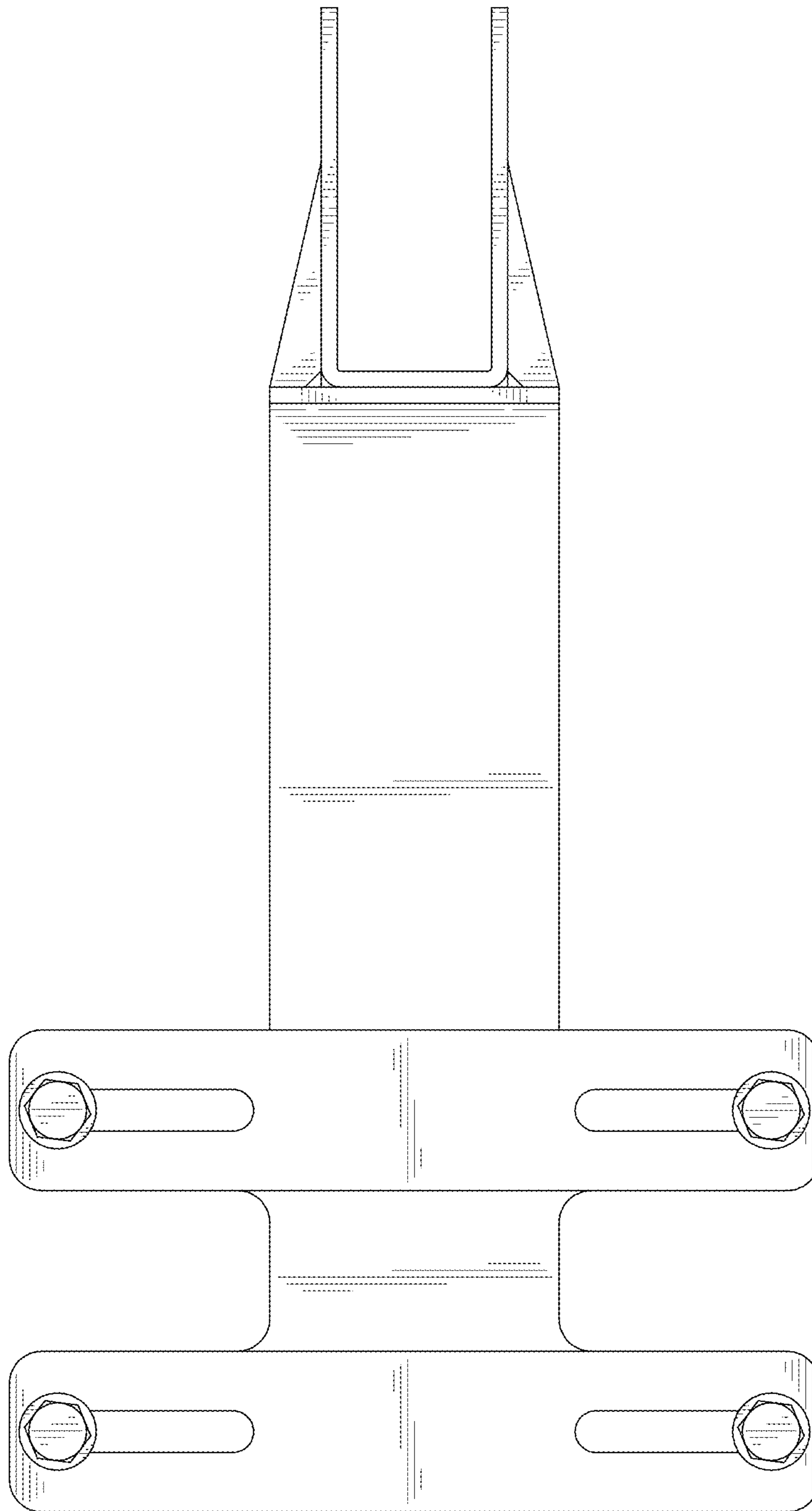


FIG. 3

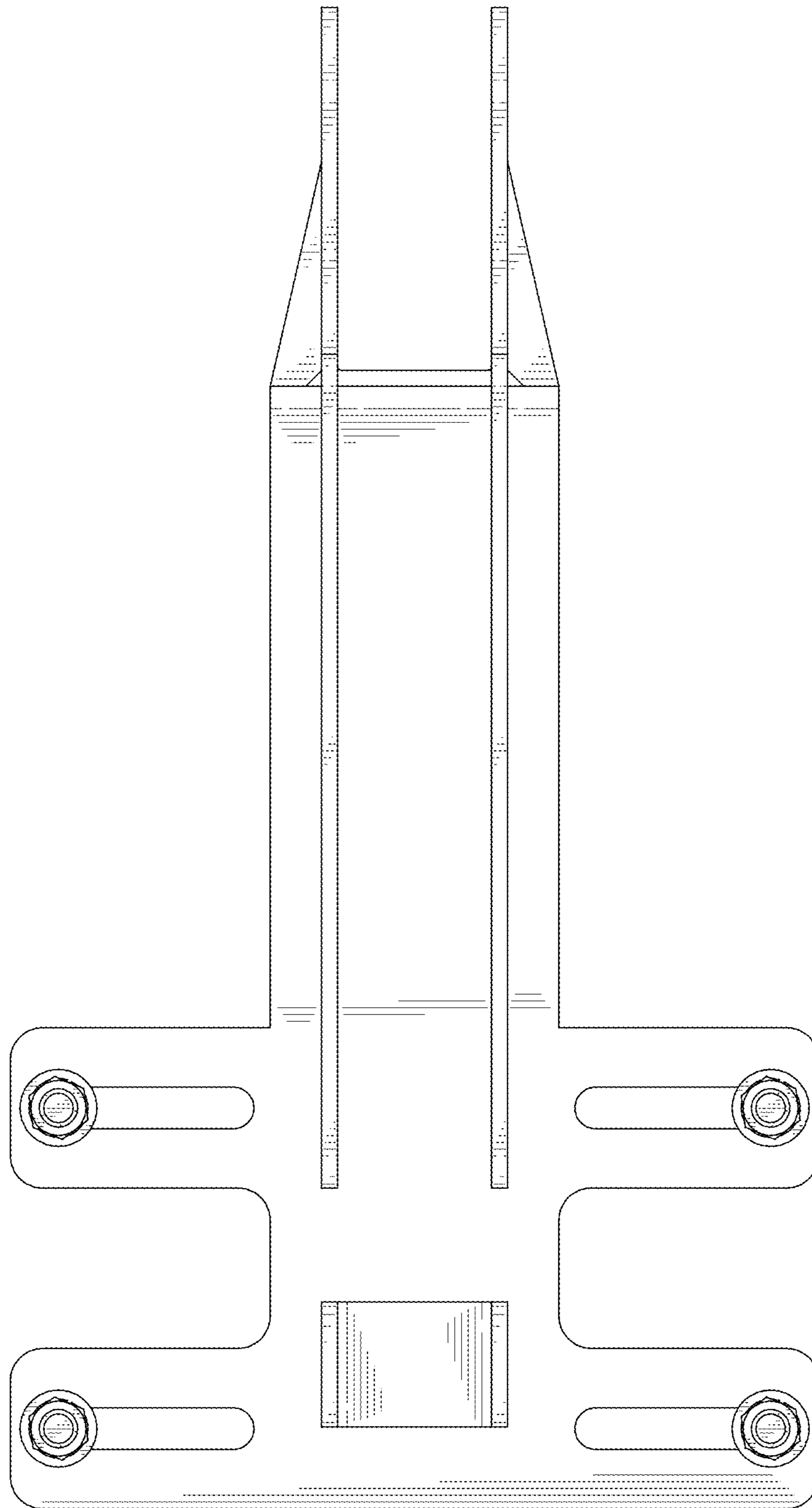


FIG. 4

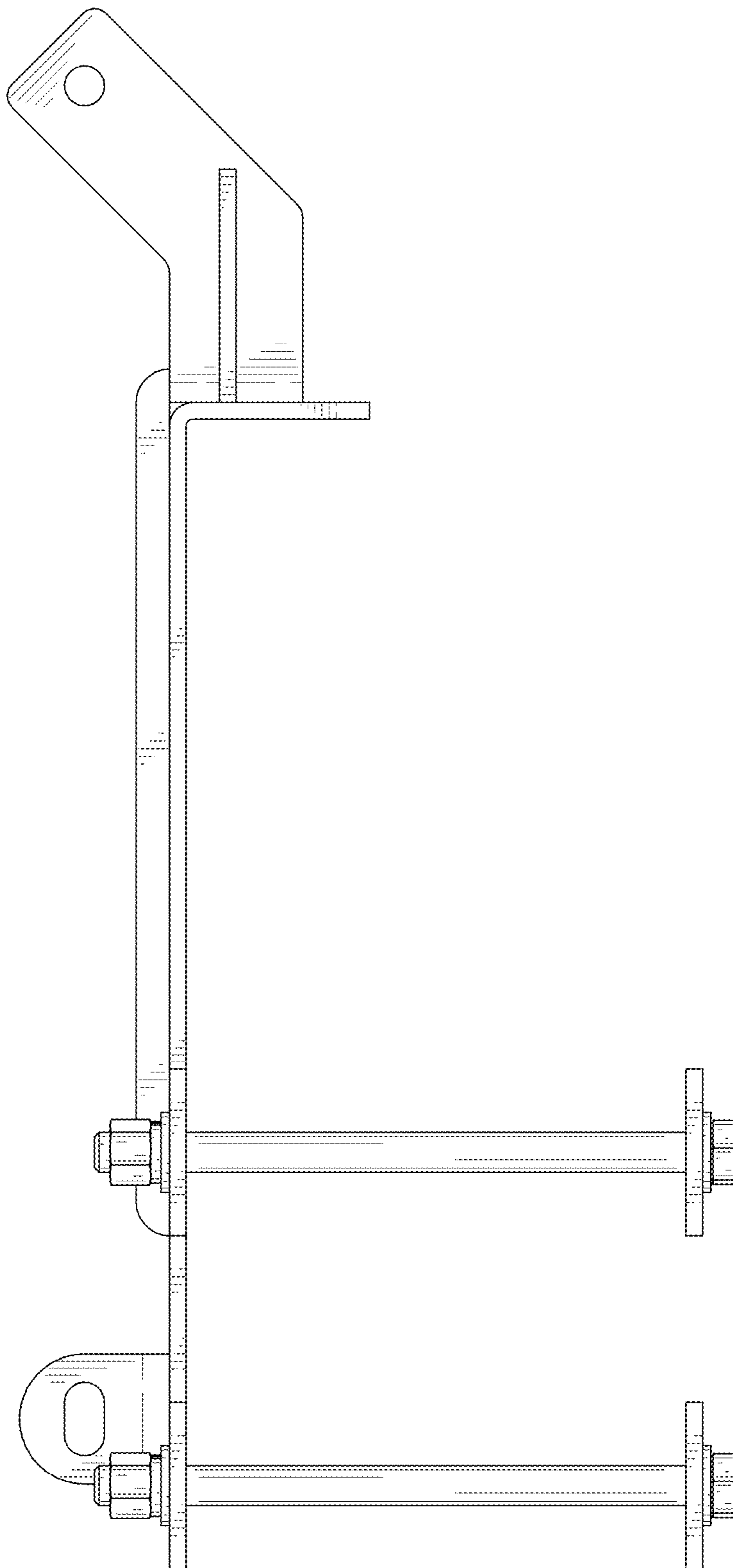


FIG. 5

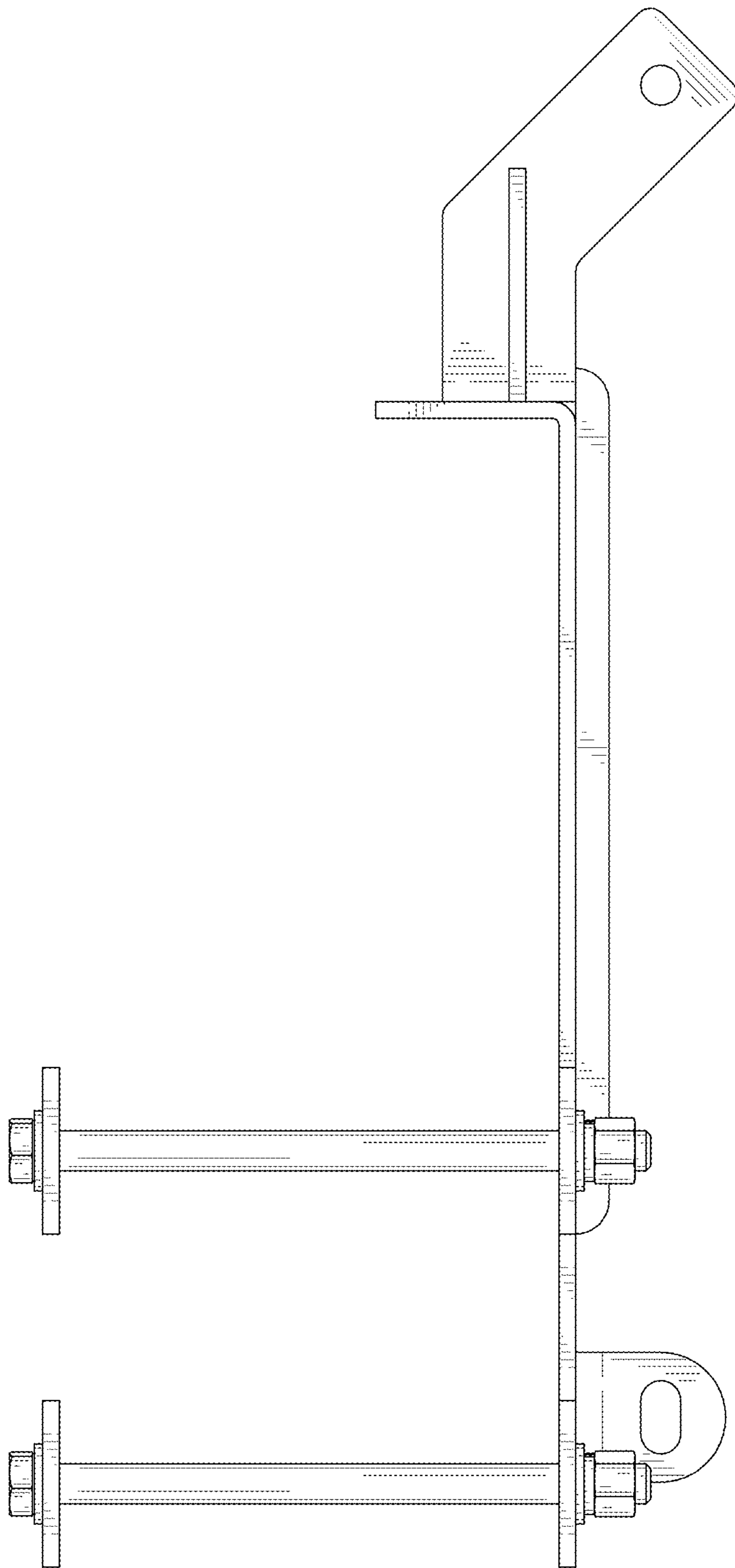


FIG. 6

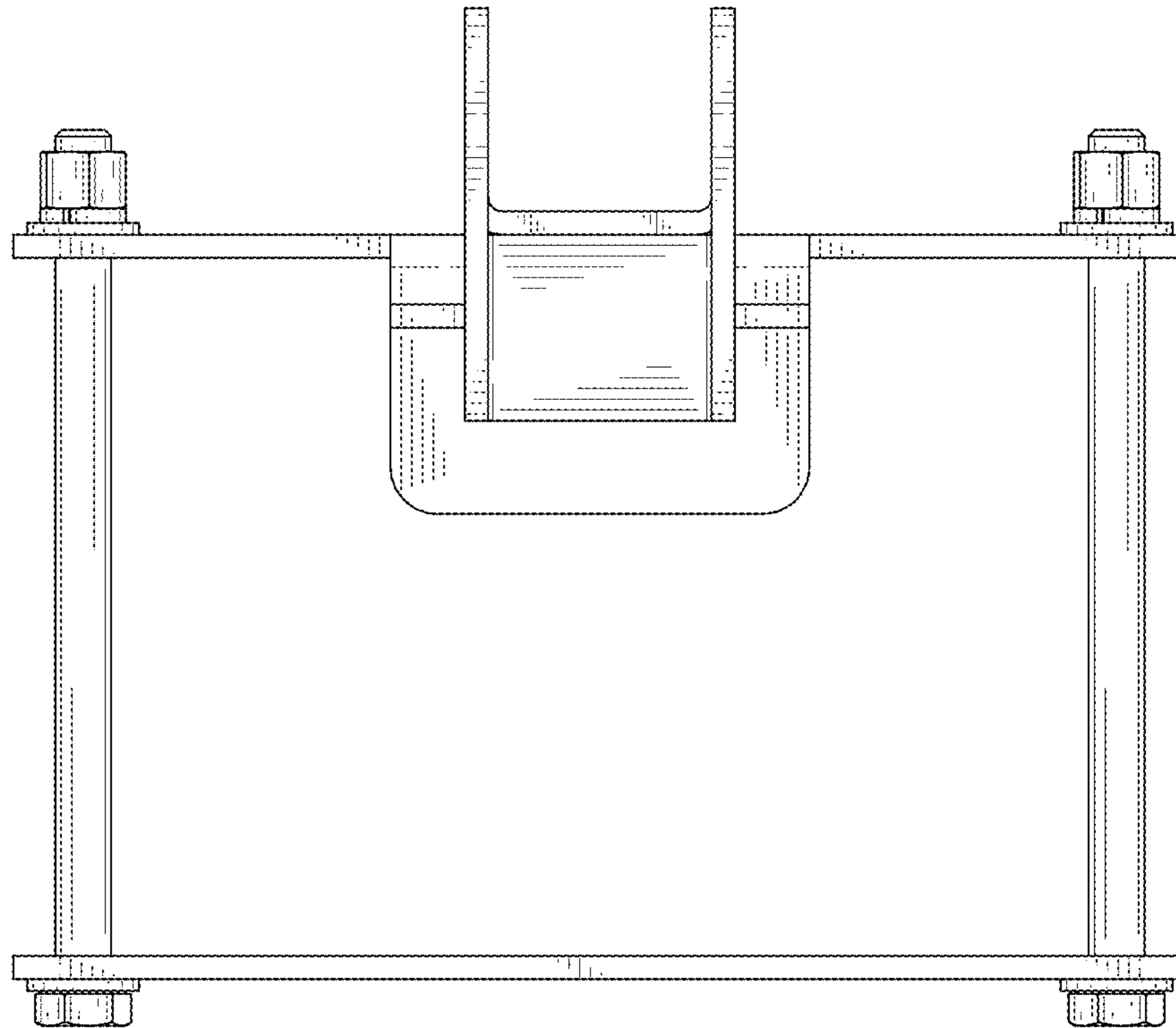


FIG. 7

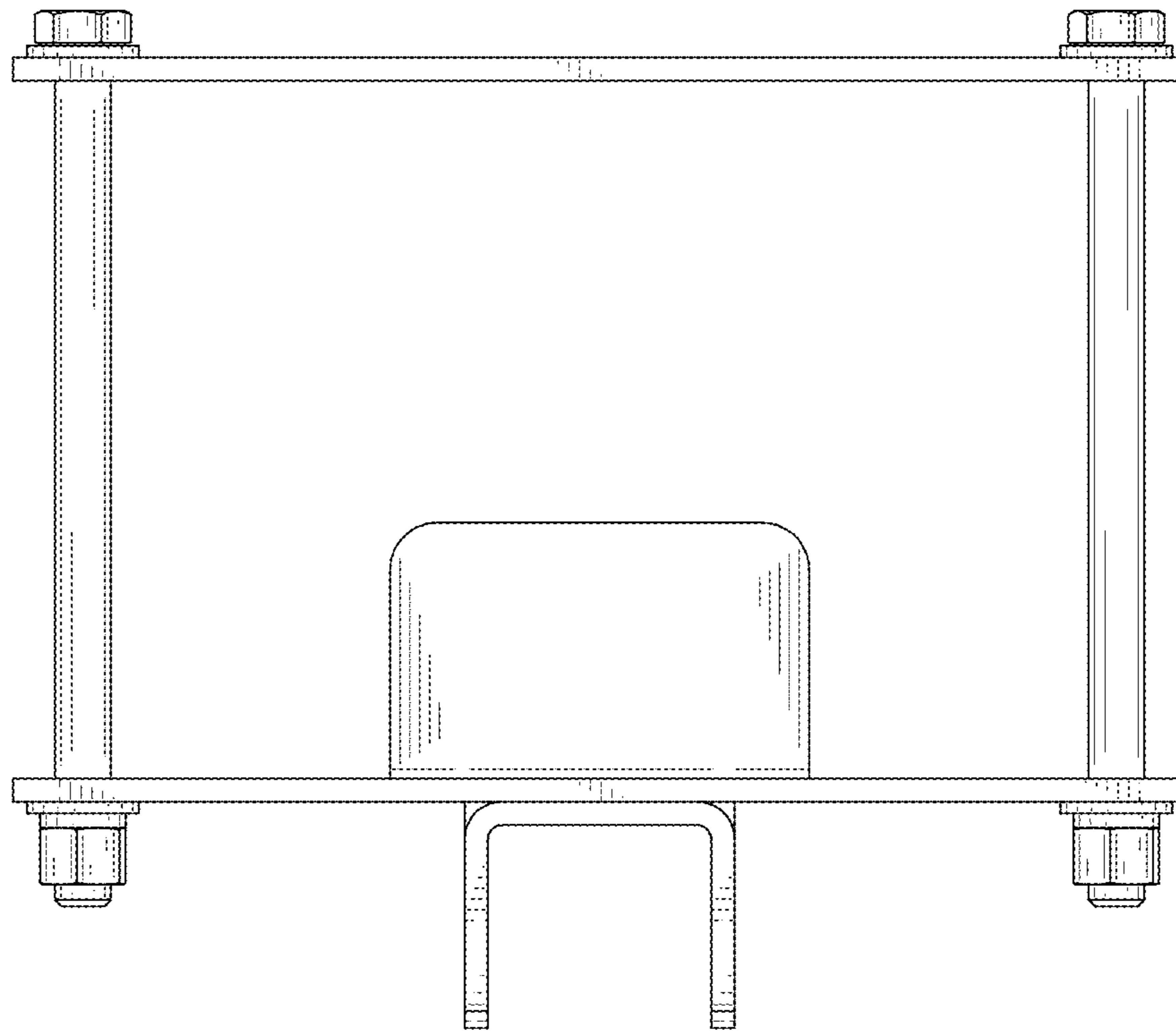


FIG. 8