



US00D967693S

(12) **United States Design Patent** (10) **Patent No.:** **US D967,693 S**
Brunner et al. (45) **Date of Patent:** **** Oct. 25, 2022**

(54) **MOUNTING PLATE**

FOREIGN PATENT DOCUMENTS

(71) Applicants: **KETER PLASTIC LTD.**, Herzliya (IL); **MILWAUKEE ELECTRIC TOOL CORPORATION**, Brookfield, WI (US)

CN 2608238 Y 3/2004
CN 200947356 Y 9/2007
(Continued)

(72) Inventors: **Yaron Brunner**, Kibbutz Gvat (IL); **Izhar Shany**, Kibbutz Gvat (IL); **Uri Parizer**, Kibbutz Hukok (IL); **Ayala Vardi Bougay**, Kefar Veradim (IL)

OTHER PUBLICATIONS

Batavia. BluCave Universal Storage System, <https://batavia.eu/blucave-storage-system/>.
(Continued)

(73) Assignees: **KETER PLASTIC LTD.**, Herzliya (IL); **MILWAUKEE ELECTRIC TOOL CORPORATION**, Brookfield, WI (US)

Primary Examiner — Richard Kearney
Assistant Examiner — Benjamin M Weeks
(74) *Attorney, Agent, or Firm* — Vorys, Sater, Seymour and Pease LLP; Anthony P. Venturino; Maryellen Feehery Hank

(**) Term: **15 Years**

(57) **CLAIM**

(21) Appl. No.: **29/702,870**

The ornamental design for a mounting plate, as shown and described.

(22) Filed: **Aug. 22, 2019**

DESCRIPTION

Related U.S. Application Data

(63) Continuation-in-part of application No. 29/681,497, filed on Feb. 26, 2019.

(51) **LOC (13) Cl.** **08-08**

(52) **U.S. Cl.**
USPC **D8/349**; D34/38

(58) **Field of Classification Search**
USPC D6/672, 684, 680, 683.1, 703.5; D8/330, D8/331, 333, 380, 382, 353, 354, 319,
(Continued)

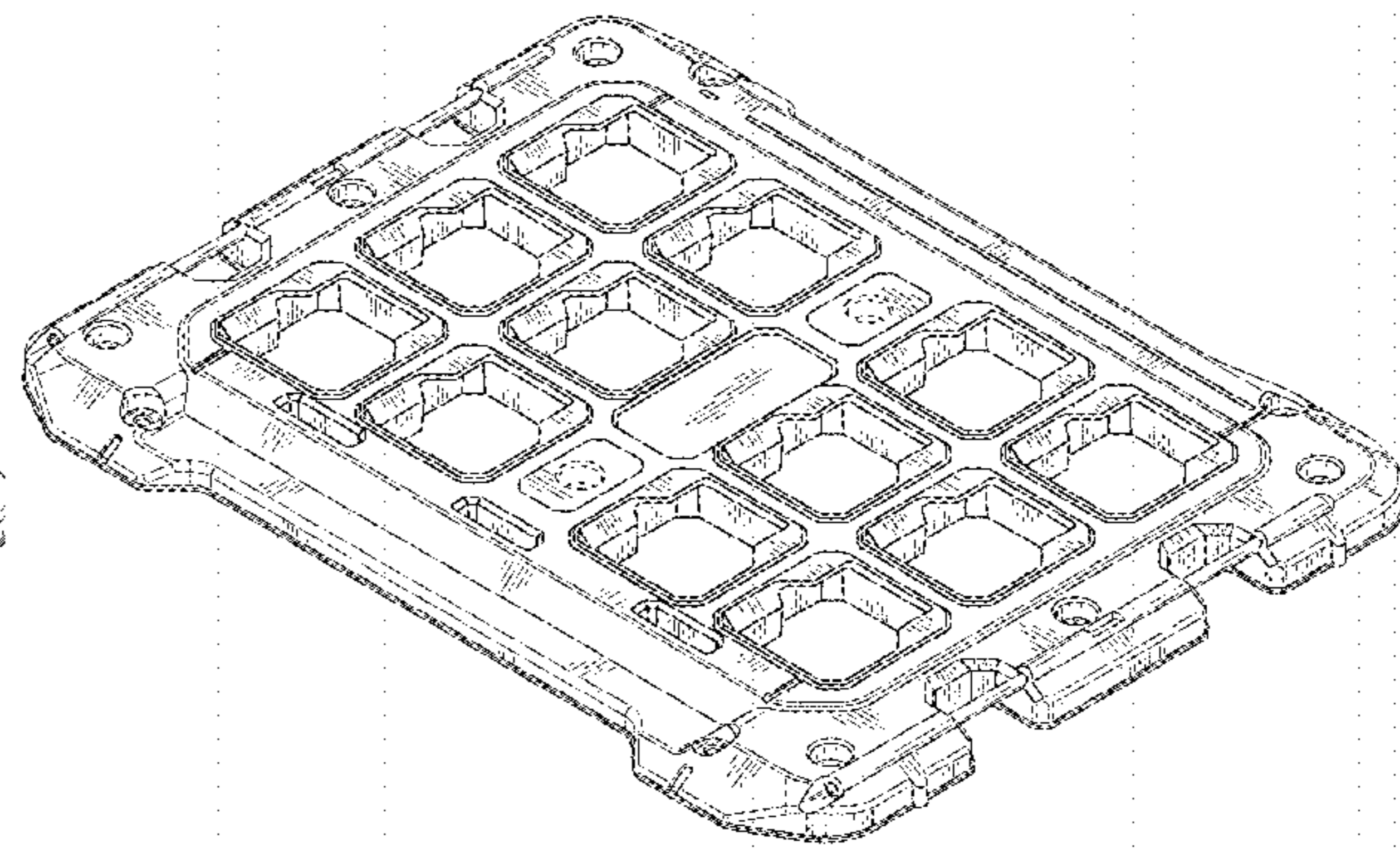
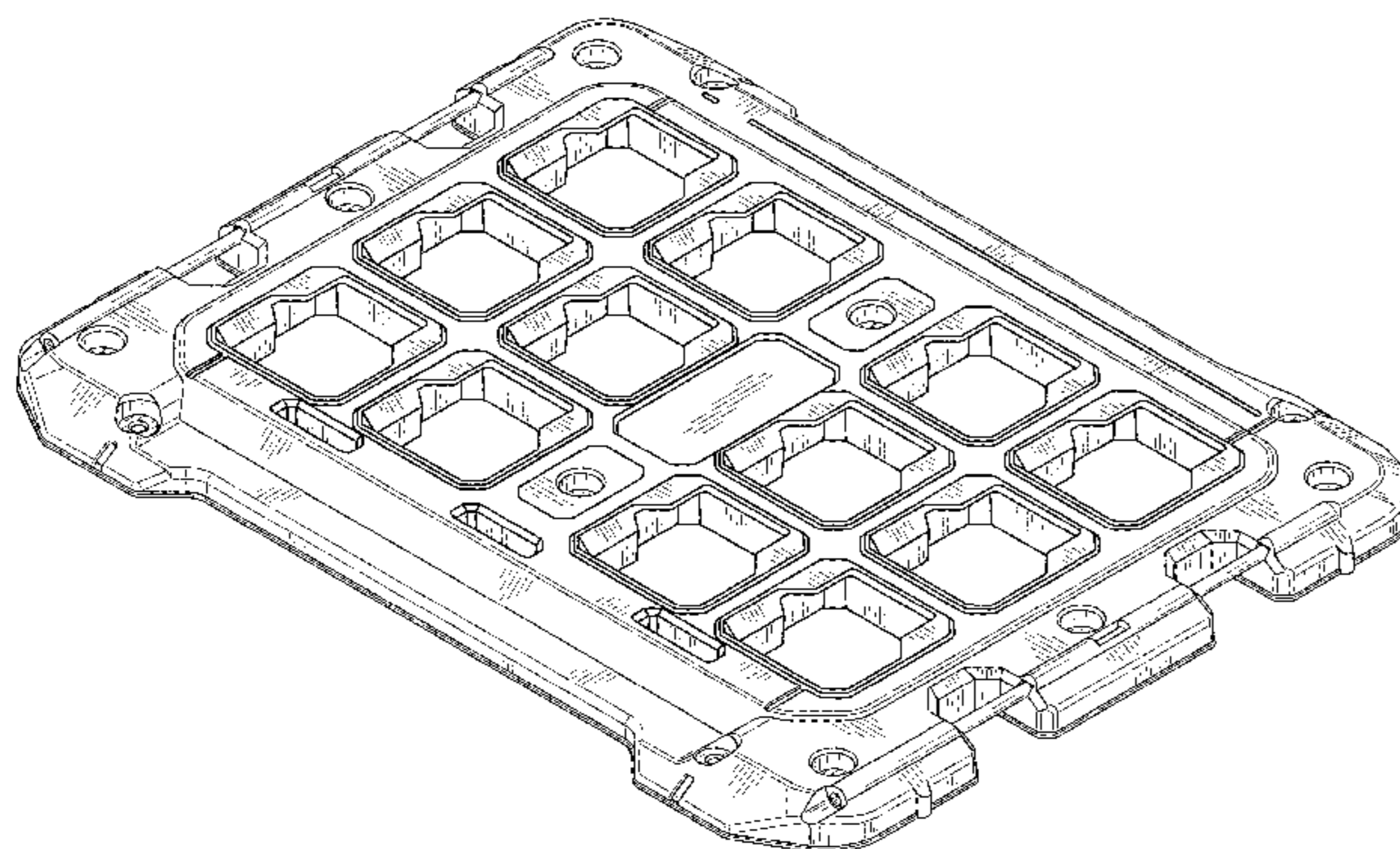
FIG. 1 is a top perspective view of a first variant of a new design for a mounting plate;
FIG. 2 is a front view thereof;
FIG. 3 is a rear view thereof;
FIG. 4 is a left side view thereof;
FIG. 5 is a right side view thereof;
FIG. 6 is a top view thereof;
FIG. 7 is a bottom view thereof;
FIG. 8 is a top perspective view of a second variant of a new design for a mounting plate;
FIG. 9 is a front view thereof;
FIG. 10 is a rear view thereof;
FIG. 11 is a left side view thereof;
FIG. 12 is a right side view thereof;
FIG. 13 is a top view thereof; and,
FIG. 14 is a bottom view thereof.
The part shown in dashed lines in FIGS. 7, 8, 13, and 14 form no part of the claimed design.

(56) **References Cited**

U.S. PATENT DOCUMENTS

2,042,387 A 5/1936 Cobb
2,430,200 A 11/1947 Wilson
(Continued)

1 Claim, 10 Drawing Sheets



(58) **Field of Classification Search**

USPC D8/349, 355, 363, 373; D13/199;
 D25/119, 164, 199, 139, 141; D34/38
 CPC F16C 29/0623; F16C 29/06; F16C 29/008;
 F16C 29/04; F16C 29/0657; F16C
 29/004; F16C 29/12; A47B 88/493; A47B
 88/423; F16M 11/2085; F16M 11/2092;
 F16M 11/2007; F16M 11/2014; F16M
 11/2021; F16M 11/105; F16M 11/048;
 F16M 11/12; F16M 11/022; F16M 11/10
 See application file for complete search history.

8,505,729 B2 8/2013 Sosnovsky et al.
 8,567,796 B2 10/2013 Bar-Erez et al.
 8,677,661 B2 3/2014 Michels et al.
 D701,696 S 4/2014 Shitrit et al.
 D702,826 S * 4/2014 Schluter D23/370
 D703,910 S * 4/2014 Raninen D34/38
 8,689,396 B2 4/2014 Wolfe et al.
 8,714,355 B2 5/2014 Huang
 8,813,960 B2 8/2014 Fjelland
 8,875,888 B2 11/2014 Koenig et al.
 8,979,100 B2 3/2015 Bensman et al.
 8,985,922 B2 3/2015 Neumann
 D738,106 S 9/2015 Shitrit
 9,132,543 B2 9/2015 Bar-Erez et al.
 D753,394 S 4/2016 Brunner
 D753,395 S 4/2016 Brunner
 D765,974 S 9/2016 Tonelli et al.
 D770,179 S 11/2016 Menirom
 9,506,489 B2 11/2016 Ko
 9,511,491 B2 12/2016 Brunner
 9,566,990 B2 2/2017 Bar-Erez et al.
 9,616,562 B2 4/2017 Hoppe et al.
 9,643,629 B2 5/2017 Bar-Erez et al.
 D790,221 S 6/2017 Yahav et al.
 9,701,443 B2 7/2017 Wang
 9,872,562 B2 1/2018 Brunner
 D814,187 S 4/2018 Caglar
 D816,334 S 5/2018 Brunner
 D826,510 S 8/2018 Brunner
 D828,145 S * 9/2018 Le D8/380
 D828,671 S 9/2018 Cope et al.
 D833,744 S 11/2018 Yahav et al.
 D837,515 S 1/2019 Shpitzer
 10,434,638 B1 10/2019 Tsai
 D871,013 S 12/2019 Liu
 10,583,962 B2 * 3/2020 Brunner B65D 21/0228
 D889,694 S * 7/2020 Burgio D25/199
 D930,318 S * 9/2021 Cohen D34/38
 D937,664 S * 12/2021 Brunskill D8/354
 D939,929 S * 1/2022 Ryu D8/349
 D939,930 S * 1/2022 Ryu D8/349
 D942,109 S * 1/2022 Wilkerson D34/38

(56) **References Cited**

U.S. PATENT DOCUMENTS

2,970,358 A 2/1961 Elsner
 3,117,692 A 1/1964 Carpenter et al.
 3,506,321 A 4/1970 Hampel
 3,974,898 A 8/1976 Tullis et al.
 4,168,076 A 9/1979 Johnson
 5,035,445 A 7/1991 Poulin
 5,105,947 A 4/1992 Wise
 5,240,264 A 8/1993 Williams
 5,301,829 A 4/1994 Chrisco
 5,429,260 A 7/1995 Vollers
 5,595,228 A 1/1997 Meisner et al.
 5,608,603 A 3/1997 Su
 5,628,443 A 5/1997 Deutsch
 D395,533 S 6/1998 Morison et al.
 5,797,617 A 8/1998 Lin
 5,951,037 A 9/1999 Hsieh et al.
 5,988,473 A 11/1999 Hagan et al.
 6,050,660 A 4/2000 Gurley
 D426,933 S * 6/2000 Redfern D21/491
 6,085,925 A 7/2000 Chung
 6,109,627 A 8/2000 Be
 6,176,559 B1 1/2001 Tiramani et al.
 D437,669 S 2/2001 Blason et al.
 6,347,847 B1 3/2002 Tiramani et al.
 6,367,631 B1 4/2002 Steigerwald
 6,371,320 B2 4/2002 Sagol
 D456,972 S 5/2002 Blason et al.
 6,431,580 B1 8/2002 Kady
 6,547,347 B2 4/2003 Saito et al.
 6,601,930 B2 8/2003 Tiramani et al.
 6,619,772 B2 9/2003 Dierbeck
 6,637,707 B1 10/2003 Gates et al.
 6,641,013 B2 11/2003 Dise
 6,945,546 B2 9/2005 Guirlinger
 6,948,691 B2 9/2005 Brock et al.
 6,983,946 B2 1/2006 Sullivan et al.
 7,044,484 B2 5/2006 Wang
 7,066,475 B2 6/2006 Barnes
 D525,789 S 8/2006 Hosking
 7,147,243 B2 12/2006 Kady
 7,263,742 B2 9/2007 Valentini
 7,367,571 B1 5/2008 Nichols
 7,503,569 B2 3/2009 Duvigneau
 D595,024 S * 6/2009 Banik D34/38
 7,658,887 B2 2/2010 Hovatter
 7,779,764 B2 8/2010 Naidu et al.
 7,780,026 B1 8/2010 Zuckerman
 7,841,144 B2 11/2010 Pervan
 D630,851 S 1/2011 Landau et al.
 8,028,845 B2 10/2011 Himes
 D653,832 S 2/2012 Vilkomirski et al.
 8,132,819 B2 3/2012 Landau et al.
 8,177,463 B2 5/2012 Walker
 D661,858 S 6/2012 Lifshitz et al.
 8,191,910 B2 6/2012 Landau et al.
 D663,952 S 7/2012 Crevling, Jr. et al.
 D664,354 S 7/2012 Crevling, Jr. et al.
 D674,605 S 1/2013 Vilkomirski et al.
 D676,846 S * 2/2013 Harrington D14/257
 8,454,033 B2 6/2013 Tsai
 8,459,495 B2 6/2013 Koenig et al.

D770,179 S 11/2016 Menirom
 9,506,489 B2 11/2016 Ko
 9,511,491 B2 12/2016 Brunner
 9,566,990 B2 2/2017 Bar-Erez et al.
 9,616,562 B2 4/2017 Hoppe et al.
 9,643,629 B2 5/2017 Bar-Erez et al.
 D790,221 S 6/2017 Yahav et al.
 9,701,443 B2 7/2017 Wang
 9,872,562 B2 1/2018 Brunner
 D814,187 S 4/2018 Caglar
 D816,334 S 5/2018 Brunner
 D826,510 S 8/2018 Brunner
 D828,145 S * 9/2018 Le D8/380
 D828,671 S 9/2018 Cope et al.
 D833,744 S 11/2018 Yahav et al.
 D837,515 S 1/2019 Shpitzer
 10,434,638 B1 10/2019 Tsai
 D871,013 S 12/2019 Liu
 10,583,962 B2 * 3/2020 Brunner B65D 21/0228
 D889,694 S * 7/2020 Burgio D25/199
 D930,318 S * 9/2021 Cohen D34/38
 D937,664 S * 12/2021 Brunskill D8/354
 D939,929 S * 1/2022 Ryu D8/349
 D939,930 S * 1/2022 Ryu D8/349
 D942,109 S * 1/2022 Wilkerson D34/38
 2002/0000440 A1 1/2002 Sagol
 2002/0171228 A1 11/2002 Kady
 2003/0115715 A1 6/2003 Valentini
 2003/0146589 A1 8/2003 Jarko et al.
 2003/0184034 A1 10/2003 Pfeiffer
 2003/0205877 A1 11/2003 Verna et al.
 2004/0103494 A1 6/2004 Valentini
 2004/0195793 A1 10/2004 Sullivan et al.
 2004/0206656 A1 10/2004 Dubois et al.
 2005/0062244 A1 3/2005 Guirlinger
 2005/0104308 A1 5/2005 Barnes
 2005/0139745 A1 6/2005 Liao et al.
 2006/0006770 A1 1/2006 Valentini
 2006/0027475 A1 2/2006 Gleason et al.
 2006/0038367 A9 2/2006 Ferraro et al.
 2006/0119060 A1 6/2006 Sullivan et al.
 2006/0186624 A1 8/2006 Kady
 2006/0254946 A1 11/2006 Becklin
 2007/0068757 A1 3/2007 Tan
 2007/0090616 A1 4/2007 Tompkins
 2007/0145700 A1 6/2007 Ambrose et al.
 2007/0194543 A1 8/2007 Duvigneau
 2008/0104921 A1 5/2008 Pervan et al.
 2008/0115312 A1 5/2008 DiPasquale et al.
 2008/0121547 A1 5/2008 Dur
 2008/0134607 A1 6/2008 Pervan et al.
 2008/0169739 A1 7/2008 Goldenberg
 2008/0271280 A1 11/2008 Tiede et al.
 2008/0277221 A1 11/2008 Josefson et al.
 2008/0308369 A1 12/2008 Louis
 2009/0026901 A1 1/2009 Nies, III et al.
 2009/0071990 A1 3/2009 Jardine et al.
 2009/0145790 A1 6/2009 Panosian et al.
 2009/0145866 A1 6/2009 Panosian et al.
 2009/0145913 A1 6/2009 Panosian et al.
 2009/0178946 A1 7/2009 Patstone et al.
 2010/0052276 A1 3/2010 Brunner

(56)

References Cited

U.S. PATENT DOCUMENTS

2010/0139566 A1 6/2010 Lopuszanski
 2010/0147642 A1 6/2010 Andochick
 2010/0219193 A1 9/2010 Becklin
 2011/0073516 A1 3/2011 Zelinskiy
 2011/0139665 A1 6/2011 Madsen
 2011/0155613 A1 6/2011 Koenig et al.
 2011/0181008 A1 7/2011 Bensman et al.
 2011/0220531 A1 9/2011 Meether et al.
 2012/0160886 A1 6/2012 Henny et al.
 2012/0180250 A1 7/2012 Ricklefsen et al.
 2012/0207571 A1 8/2012 Scott
 2012/0326406 A1 12/2012 Lifshitz et al.
 2013/0024468 A1 1/2013 Kocsis
 2013/0031731 A1 2/2013 Hess
 2013/0031732 A1 2/2013 Hess et al.
 2013/0121783 A1 5/2013 Kelly
 2013/0127129 A1 5/2013 Bensman et al.
 2013/0154218 A1 6/2013 Tiilikainen
 2013/0223971 A1 8/2013 Grace, IV
 2014/0076759 A1 3/2014 Roehm et al.
 2014/0161518 A1 6/2014 Ko
 2014/0166516 A1 6/2014 Martinez et al.
 2015/0274362 A1 10/2015 Christopher et al.
 2015/0376917 A1 12/2015 Brunner
 2016/0023349 A1 1/2016 Hoppe et al.
 2016/0130034 A1 5/2016 Kuhls et al.
 2016/0144500 A1 5/2016 Chen
 2016/0168880 A1 6/2016 Phelan
 2017/0121056 A1 5/2017 Wang
 2017/0138382 A1 5/2017 Ko
 2017/0165828 A1 6/2017 Fleischmann
 2017/0166352 A1 6/2017 Hoppe et al.
 2017/0174392 A1 6/2017 De Loynes
 2017/0217464 A1 8/2017 Bar-Erez et al.
 2017/0239808 A1 8/2017 Hoppe et al.
 2017/0257958 A1 9/2017 Sabbag et al.
 2017/0266804 A1 9/2017 Kinsky
 2017/0318927 A1 11/2017 Kraus et al.
 2017/0349013 A1 12/2017 Gronholm
 2018/0044059 A1 2/2018 Brunner
 2018/0161975 A1 6/2018 Brunner
 2018/0220758 A1 8/2018 Burchia
 2018/0290288 A1 10/2018 Brunner
 2019/0002004 A1 1/2019 Brunner
 2019/0031222 A1 1/2019 Takyar et al.
 2019/0039781 A1 2/2019 Kogel et al.
 2019/0106244 A1 4/2019 Brunner
 2019/0225371 A1 7/2019 Hoppe et al.
 2020/0055534 A1 2/2020 Hassell

FOREIGN PATENT DOCUMENTS

CN 101068661 A 11/2007
 CN 102248523 A 11/2011
 CN 102469899 A 5/2012
 CN 102834035 A 12/2012
 CN 302371147 S 3/2013
 CN 103118578 A 5/2013
 CN 103659777 A 3/2014
 CN 204161752 U 2/2015
 DE 3510307 A1 9/1986
 DE 9313802 U1 1/1994
 DE 4415638 A1 11/1995
 DE 29708343 U1 8/1997
 DE 19750543 A1 5/1999
 DE 20218996 U1 3/2003
 DE 102004057870 A1 6/2006
 DE 202011002617 U1 6/2011
 DE 102010003754 A1 10/2011
 DE 102010003756 A1 10/2011
 DE 102012106482 A1 1/2014
 DE 102012220837 A1 5/2014
 DE 202014103695 U1 10/2014
 DE 202015005752 U1 12/2016
 DE 102015112204 A1 2/2017

DE 102015013053 A1 4/2017
 DE 202015105053 A1 4/2017
 DE 402018201520 5/2018
 EM 000705231-0001 4/2007
 EM 2419283-001 3/2014
 EP 0916302 A2 5/1999
 EP 1321247 A2 6/2003
 EP 1428764 B1 6/2006
 EP 1819487 6/2006
 EP 2456341 1/2011
 EP 2289671 A2 3/2011
 EP 2346741 A1 7/2011
 EP 2555660 10/2011
 EP 2555661 10/2011
 EP 2805799 A2 11/2014
 EP 3141354 B1 5/2019
 GB 694707 A 7/1953
 GB 2047181 B 2/1983
 GB 2330521 A 4/1999
 GB 2406331 A 3/2005
 GB 2413265 B 6/2007
 JP 2003194020 A 7/2003
 JP D1276744 S 7/2006
 JP D1395115 S 8/2010
 JP 2013022972 A 2/2013
 JP 2013022976 A 2/2013
 JP D1477050 S 8/2013
 KR 30-0271616 S 2/2001
 KR 30-0320243 S 3/2003
 KR 30-0842236 S 3/2016
 KR 30-0859965 S 6/2016
 KR 30-0881296 S 11/2016
 KR 30-0999599 S 3/2019
 TW I324578 B 5/2010
 TW D135074 S 6/2010
 TW D168686 S 7/2015
 TW D174412 S 3/2016
 WO 2005/045886 A2 5/2005
 WO 2007/121745 A1 11/2007
 WO 2007/121746 A2 11/2007
 WO 2009/140965 A1 11/2009
 WO 2011/009480 A1 1/2011
 WO 2013/026084 A1 2/2013
 WO 2014/125488 A2 8/2014
 WO 2016/142935 A1 9/2016
 WO 2017/028845 A1 2/2017
 WO 2017/191628 A1 11/2017
 WO 2017/212840 A1 12/2017

OTHER PUBLICATIONS

The Greenhead. Blitz Box—Portable Storage Box/Shelf, <https://www.thegreenhead.com/2013/03/blitz-box-portable-storage-box-shelf.php>.
 Dewalt 171229 Dewalt TSTAK Carrier Trolley, <https://www.its.co.uk/pd/171229-Dewalt-TSTAK-Carrier-Trolley-DEW171229.htm>.
 Get Tools Direct. TSTAK Vac Rack (Suits DWV902M & DWV900L) DwV9500-XJ, <https://www.gettoolsdirect.com.au/dewalt-tstak-vac-rack-suits-dwv902m-and-dwv9001-dwv9500-xj.html>.
 Amazon. Hopkins FloTool 91002 Thino Box with Mount, <https://www.amazon.com/exedobidos/ASIN/B003K15F31/20140000-20>.
 Milwaukee Dolly, announced 2019 [only], [site visted Mar. 9, 2020]. Available from internet, URL: <https://www.zoro.com/milwaukee-tool-box-dolly-7-4164-h-18-2932-w-48-22-8410/i/G3958724/> (Year: 2019).
 ToolGuyd. Ryobi ToolBlox Tool Cabinet System, <https://toolguyd.com/ryobi-toolblox-cabinets/>.
 Sortimo Logistixx, Sortimo International GmbH, Mobile Sortimente, http://p125638.mittwaldserver.info/fileadmin/media/PDFs/Logistixx_Broschuere_DE_WEB.pdf.
 Systainer Mounting Platform—wall and base support; ToolGuyd. Sys-Cart Base, a Systainer Mounting Platform, <https://toolguyd.com/systainer-sys-cart-mounting-base/>.
 Taiwanese Search Report for ROC (Taiwan) Design Patent Application No. 108305093, one page, completed Mar. 5, 2020.

(56)

References Cited

OTHER PUBLICATIONS

Vertak. https://www.alibaba.com/product-detail/Vertak-global-patented-multi-funciton-portable_60217794260.html.

Wheel board, announced 2019 [online], [site visited [site visted Mar. 9, 2020]. Available from internet, URL: <https://www.gearooz.com/accu-case-aca-wheel-board> (Year: 2019).

Youtube. Tstak Phase 2 Upgrades Video. <https://www.youtube.com/watch?v=jb06y6J1dr4&feature=youtu.be&t=197>.

* cited by examiner

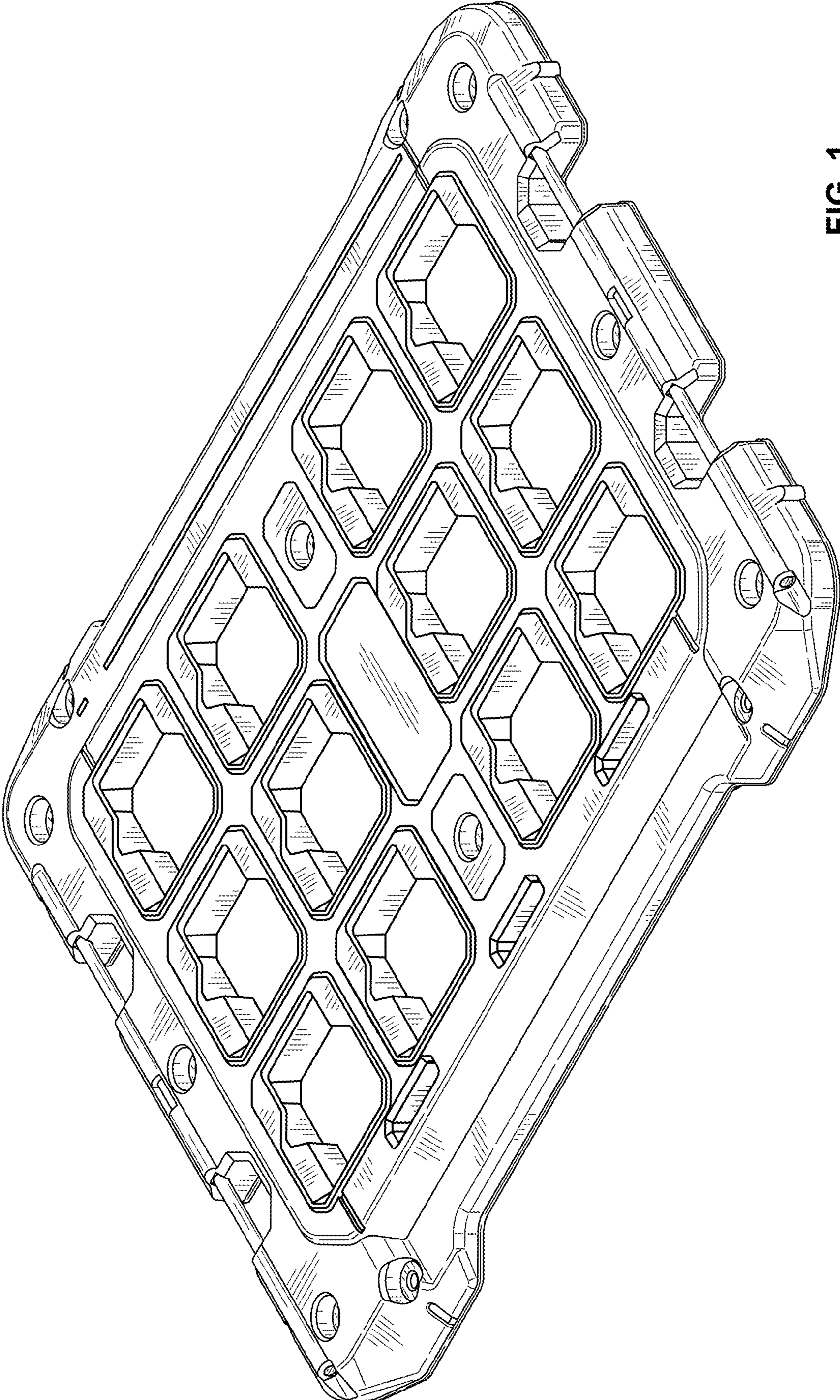


FIG. 1

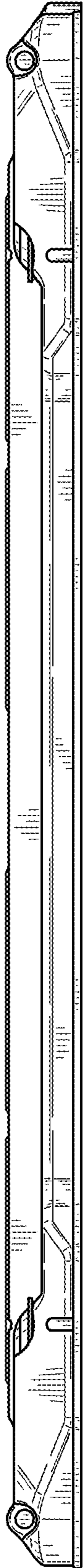


FIG. 2

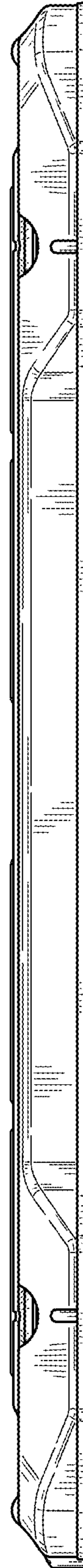


FIG. 3

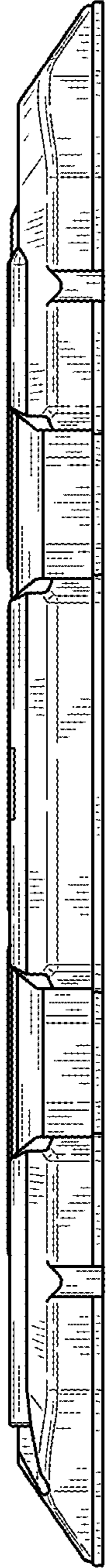


FIG. 4

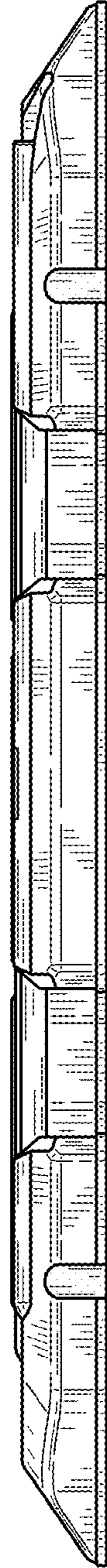


FIG. 5

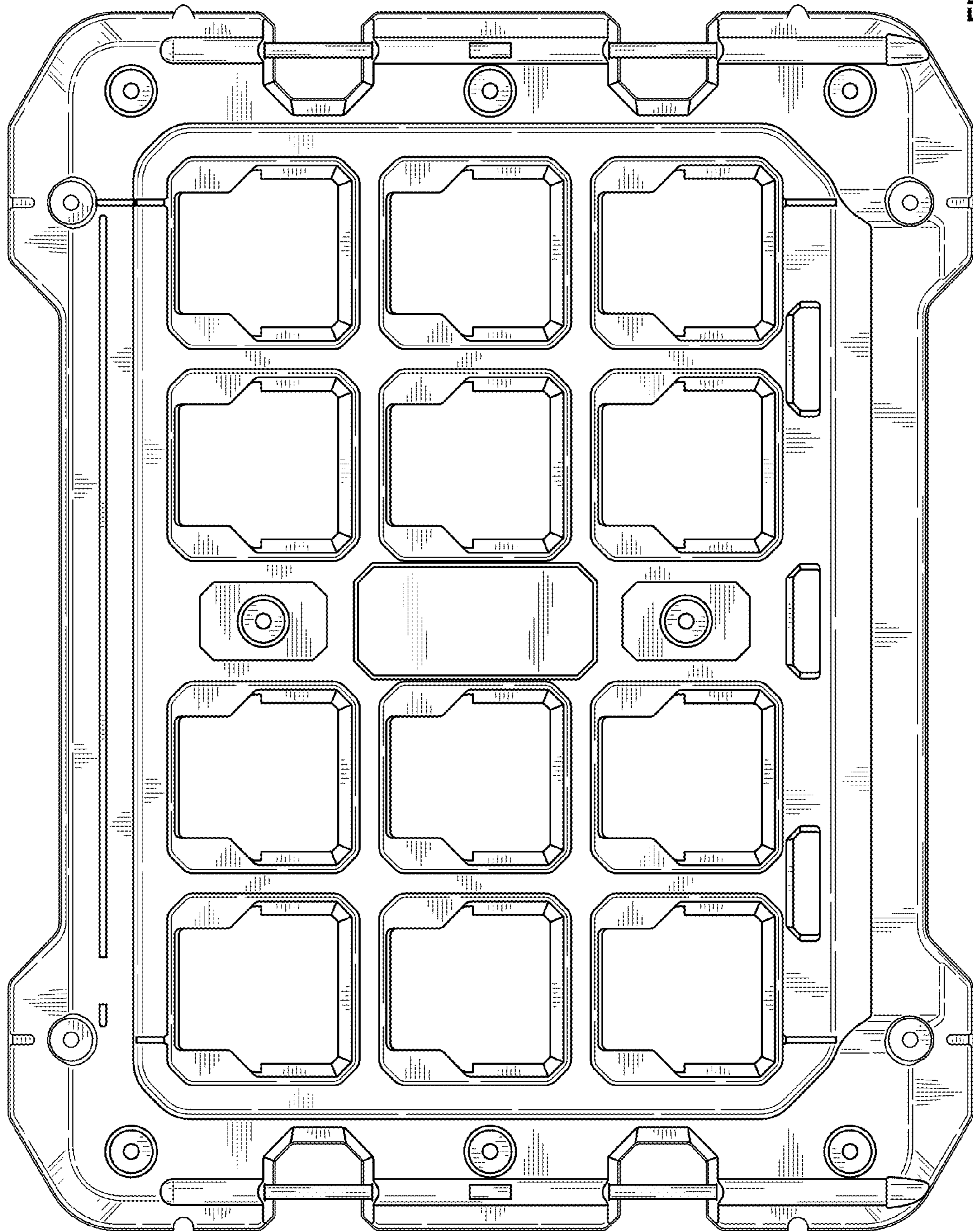


FIG. 6

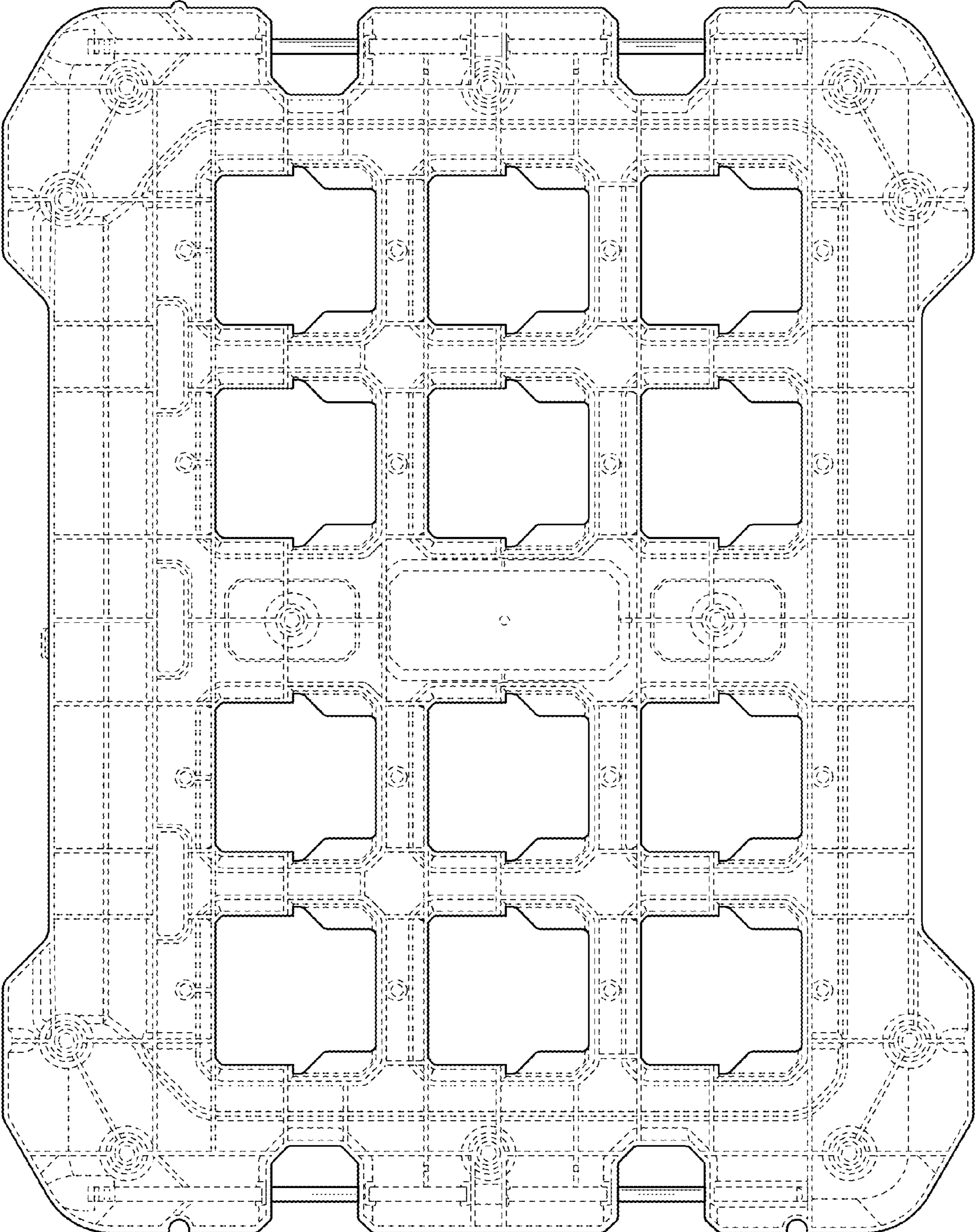


FIG. 7

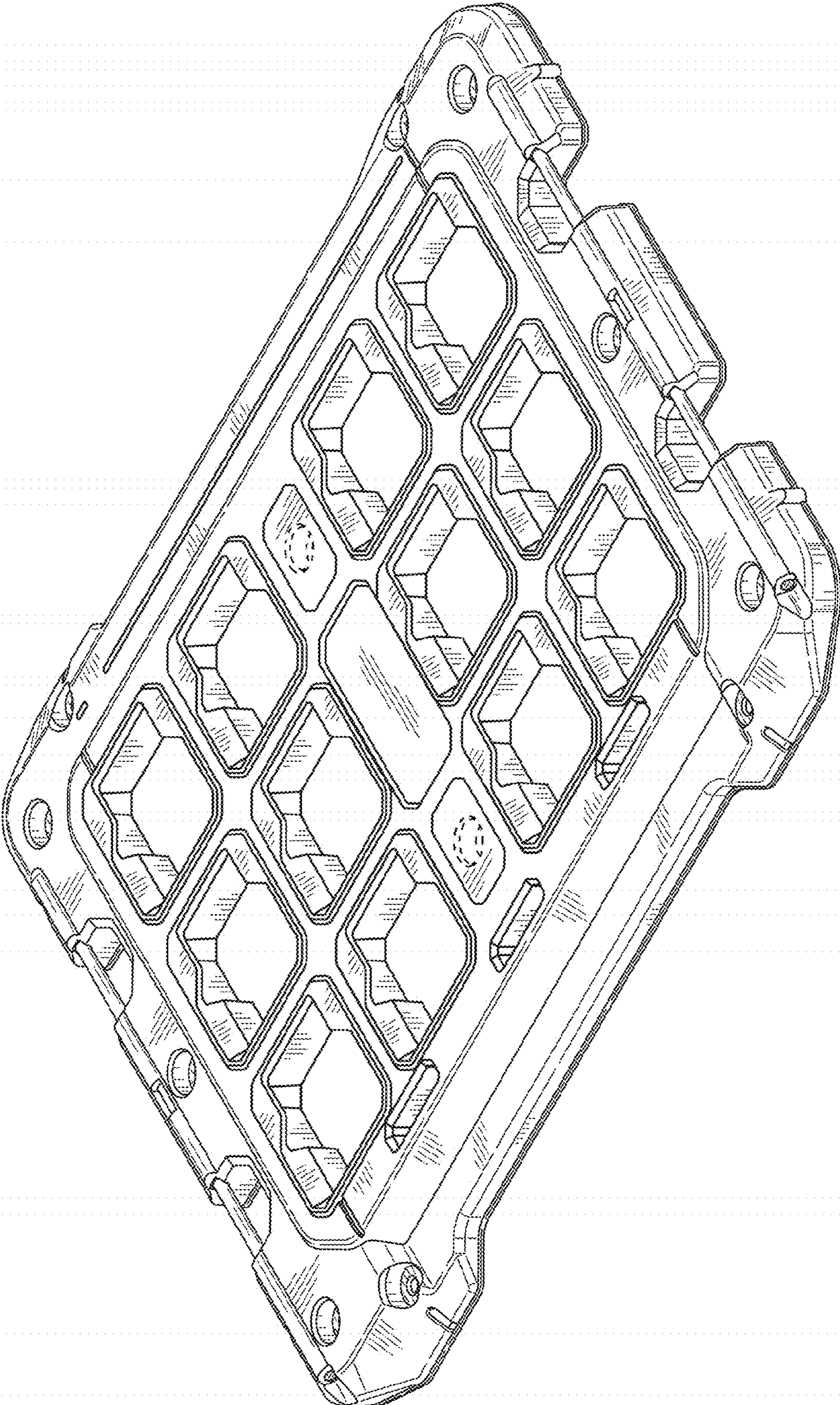


FIG. 8

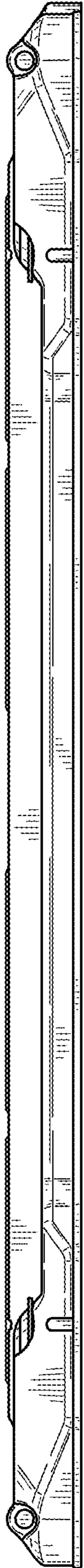


FIG. 9

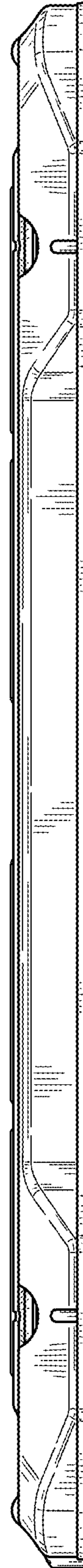


FIG. 10

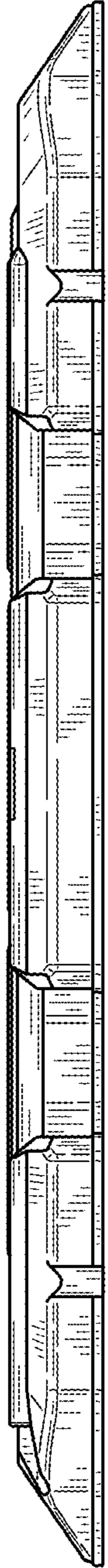


FIG. 11

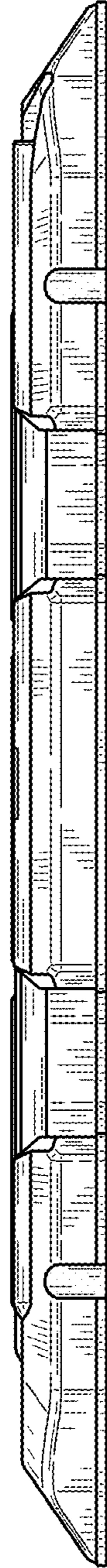


FIG. 12

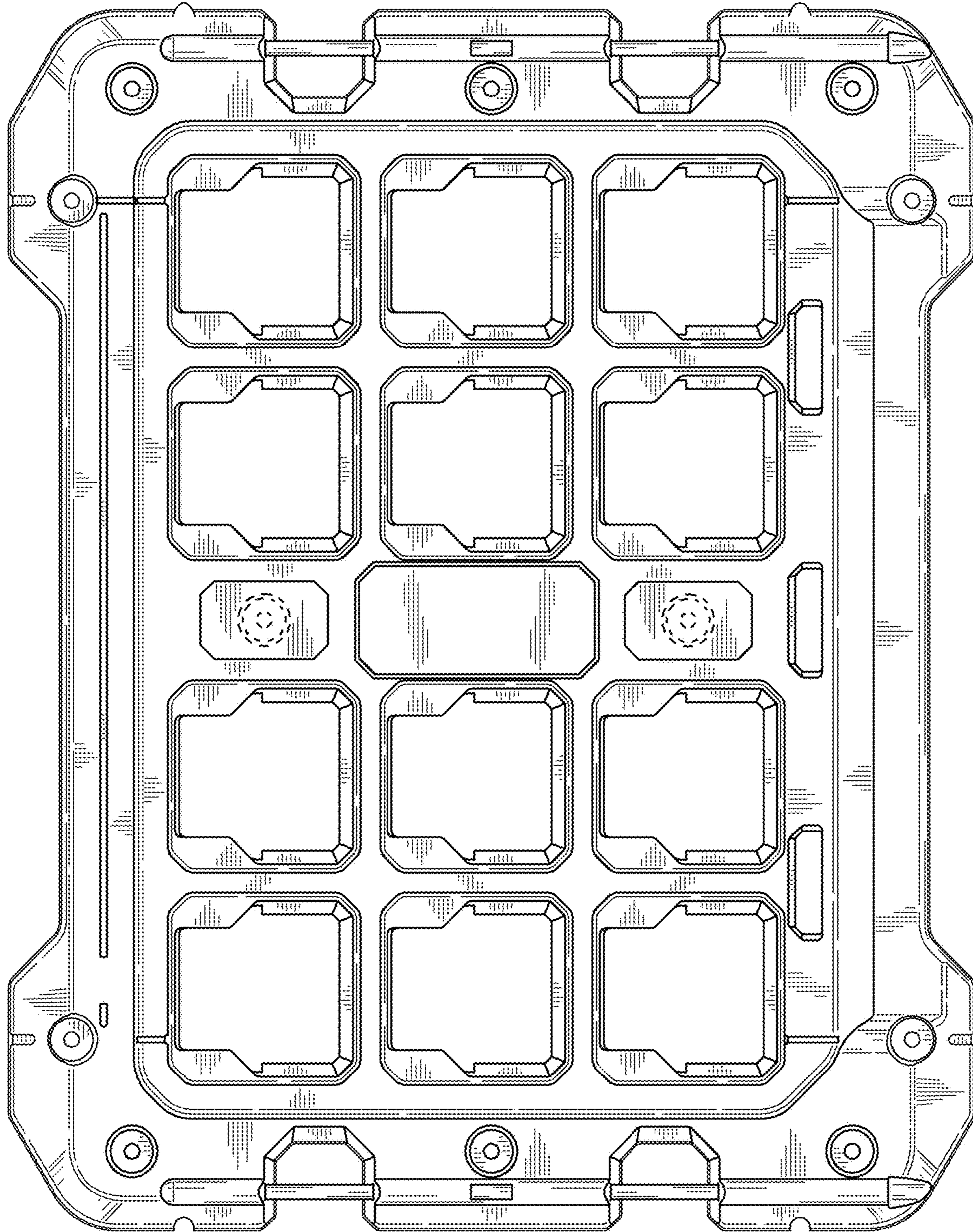


FIG. 13

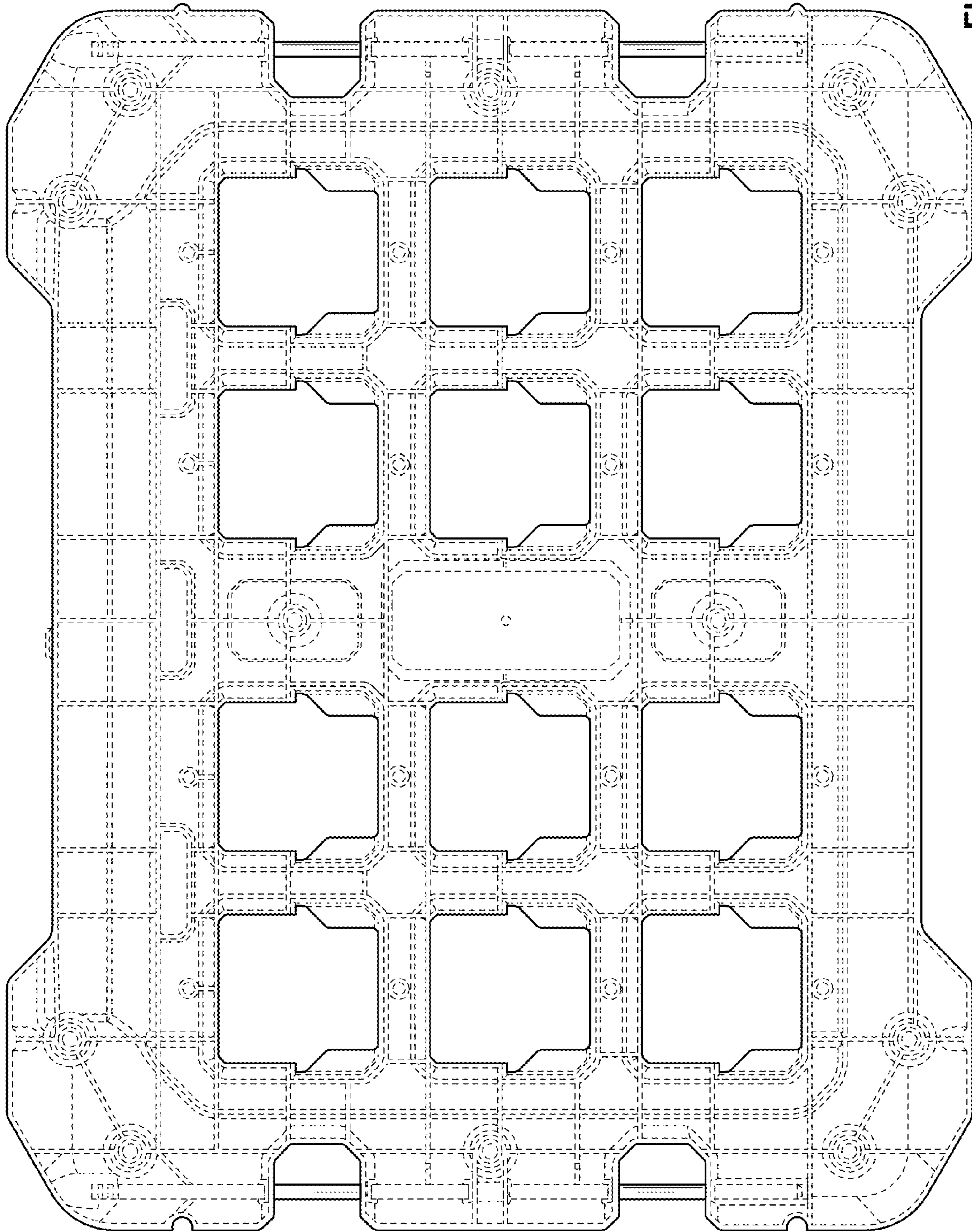


FIG. 14