

US00D967689S

(12) **United States Design Patent** (10) **Patent No.:** **US D967,689 S**
Lai (45) **Date of Patent:** **** Oct. 25, 2022**

(54) **WRENCH**
(71) Applicant: **Shih-Hao Lai**, Taichung (TW)
(72) Inventor: **Shih-Hao Lai**, Taichung (TW)
(**) Term: **15 Years**
(21) Appl. No.: **29/732,643**
(22) Filed: **Apr. 27, 2020**
(51) **LOC (13) Cl.** **08-05**
(52) **U.S. Cl.**
USPC **D8/107; D8/25**
(58) **Field of Classification Search**
USPC D8/14, 21, 24–27, 29, 51, 59, 107;
D24/133, 147; 81/57.13, 57.39, 60
CPC B25B 21/004; B25B 13/46; B25B 13/463
See application file for complete search history.

(56) **References Cited**

U.S. PATENT DOCUMENTS

D111,026 S * 8/1938 Hosford D8/DIG. 8
D402,867 S * 12/1998 Macor B25B 23/1427
D8/25
D419,837 S * 2/2000 Knox B25B 13/463
D8/25
6,186,030 B1 * 2/2001 Whitley B25B 13/465
81/58.3
6,457,387 B1 * 10/2002 Hu B25B 13/463
81/62
D516,405 S * 3/2006 Saunders D8/80
D525,493 S * 7/2006 Hsieh B25B 13/463
D8/27
D649,848 S * 12/2011 Wegerich D8/25
D654,337 S * 2/2012 Huang D8/25
D675,894 S * 2/2013 Chen B25B 13/465
D8/25
2009/0241740 A1 * 10/2009 Heagerty B25B 13/461
81/177.8

2018/0126519 A1 * 5/2018 Tsai B25B 13/463
2019/0099865 A1 * 4/2019 Ou B25B 13/463
2019/0344410 A1 * 11/2019 Hsieh B25B 23/1427

OTHER PUBLICATIONS

“Sealey AK6962 Bit Driver Ratchet Micro ¼" Hex Stainless Steel”; amazon.com; Jul. 10, 2014; accessed Apr. 20, 2022; URL:< https://www.amazon.com/AK6962-Sealey-Driver-Ratchet-Stainless/dp/B00K1UNJ52/ref=asc_df_B00K1UNJ52/ > (Year: 2014).*
“8-in-1 Ratchet Spanner Wrench Flexible Double Box End Metric & SAE . . . Handy Ratchiting Rotating Socket Wrench DIY Handle Wrench Spanners MM & Inch”; amazon.com; Apr. 6, 2018; accessed Jun. 7, 2022; URL:< https://www.amazon.com/Flexible-Combination-Multi-Function-Ratchiting-Rotating/dp/B07DG2SBQ1/ > (Year: 2018).*

(Continued)

Primary Examiner — Rachel A. Voorhies
Assistant Examiner — Benjamin D. Wannemacher
(74) *Attorney, Agent, or Firm* — Alan D. Kamrath; Karin L. Williams; Mayer & Williams PC

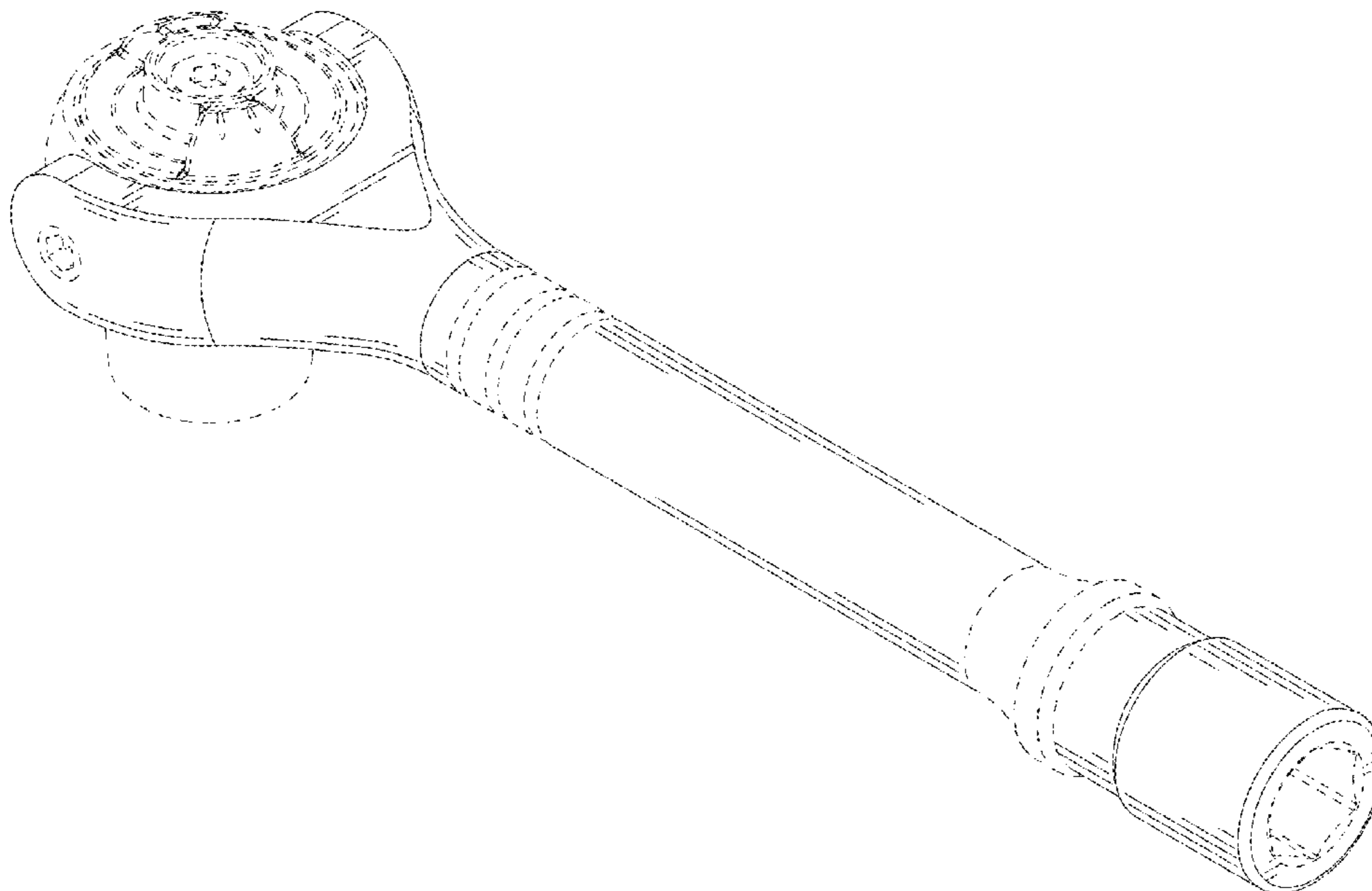
(57) **CLAIM**

The ornamental design for a wrench, as shown and described.

DESCRIPTION

FIG. 1 is a perspective view of a wrench showing my new design;
FIG. 2 is a front view thereof;
FIG. 3 is a rear view thereof;
FIG. 4 is a left view thereof;
FIG. 5 is a right view thereof;
FIG. 6 is a top view thereof; and,
FIG. 7 is a bottom view thereof.
The broken lines depict portions of the wrench in which the design is embodied that are not considered part of the claimed design.

1 Claim, 7 Drawing Sheets



(56)

References Cited

OTHER PUBLICATIONS

“Universal Wrench 48 in 1 Socket Wrench Multifunction Wrench Tool with 360 Degree Rotating Head, Spanner Tool for Home and Car Repair”; amazon.com; Oct. 22, 2018; accessed Jun. 7, 2022; URL:<<https://www.amazon.com/Universal-Wrench-Multifunction-Rotating-Spanner/dp/B07JKWH32W> > (Year: 2018).*

* cited by examiner

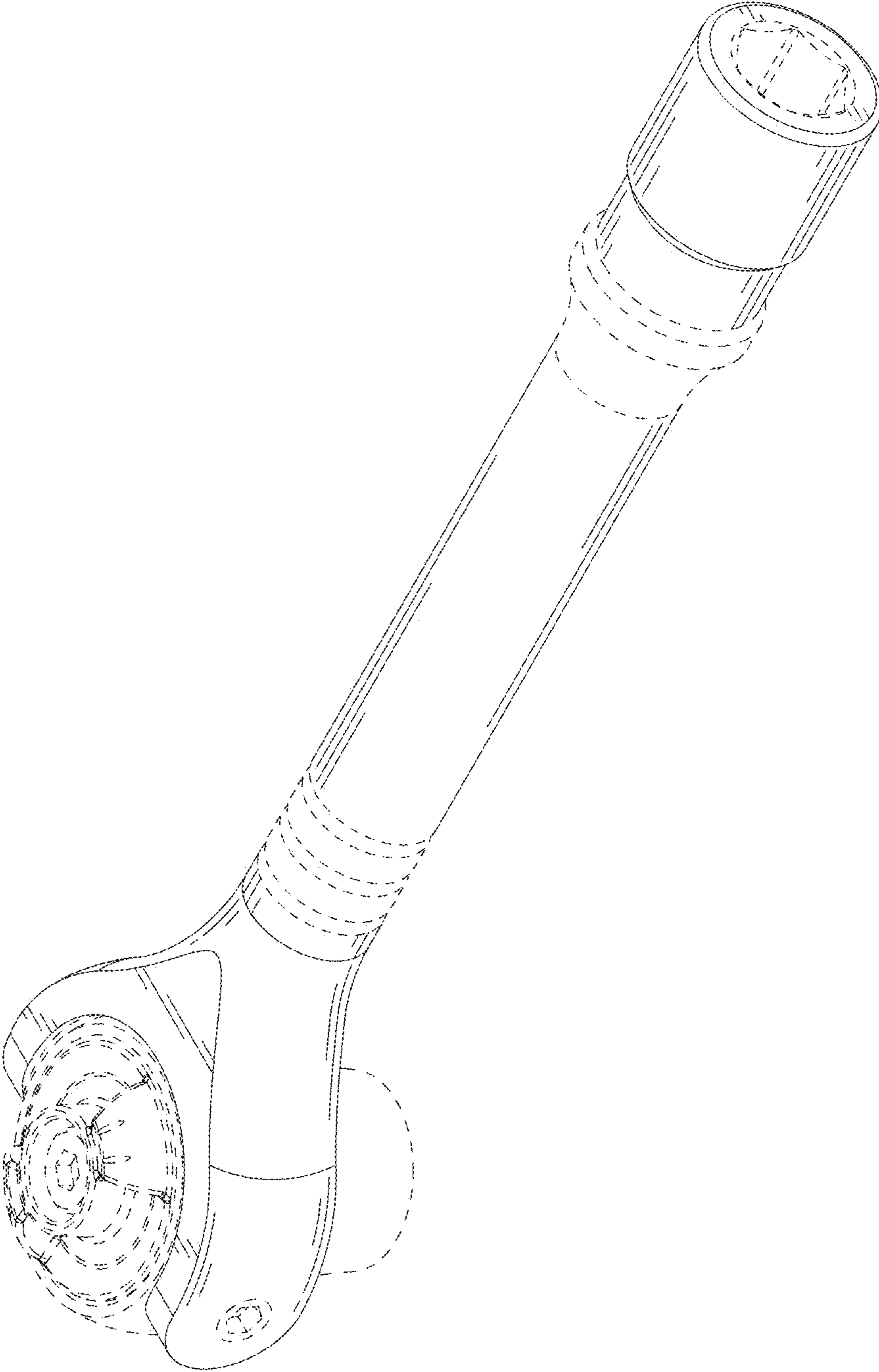


FIG. 1

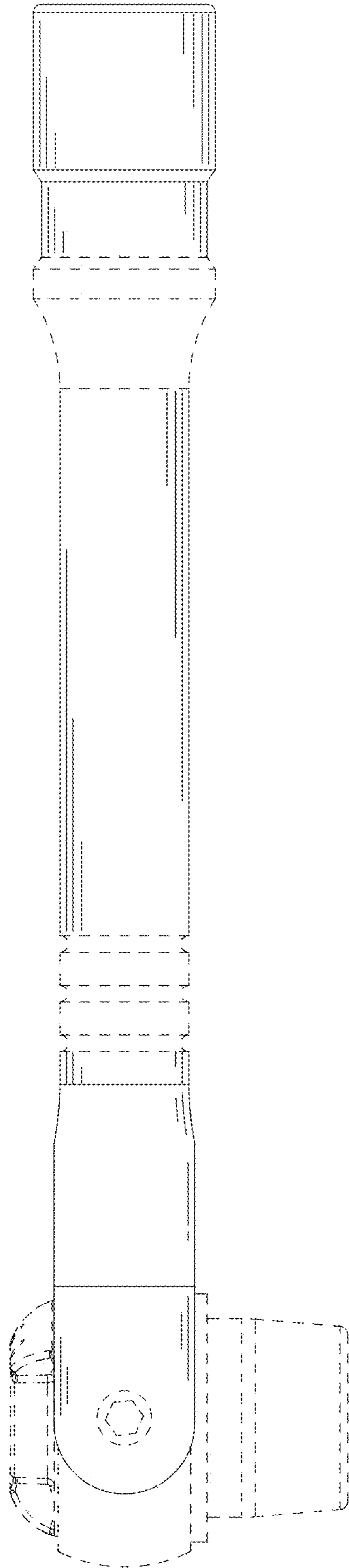


FIG. 2

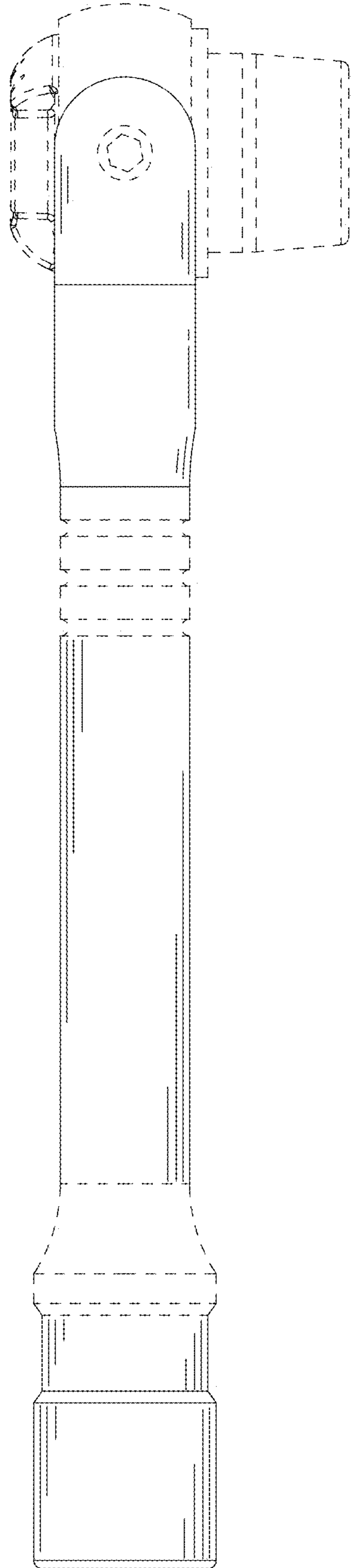


FIG. 3

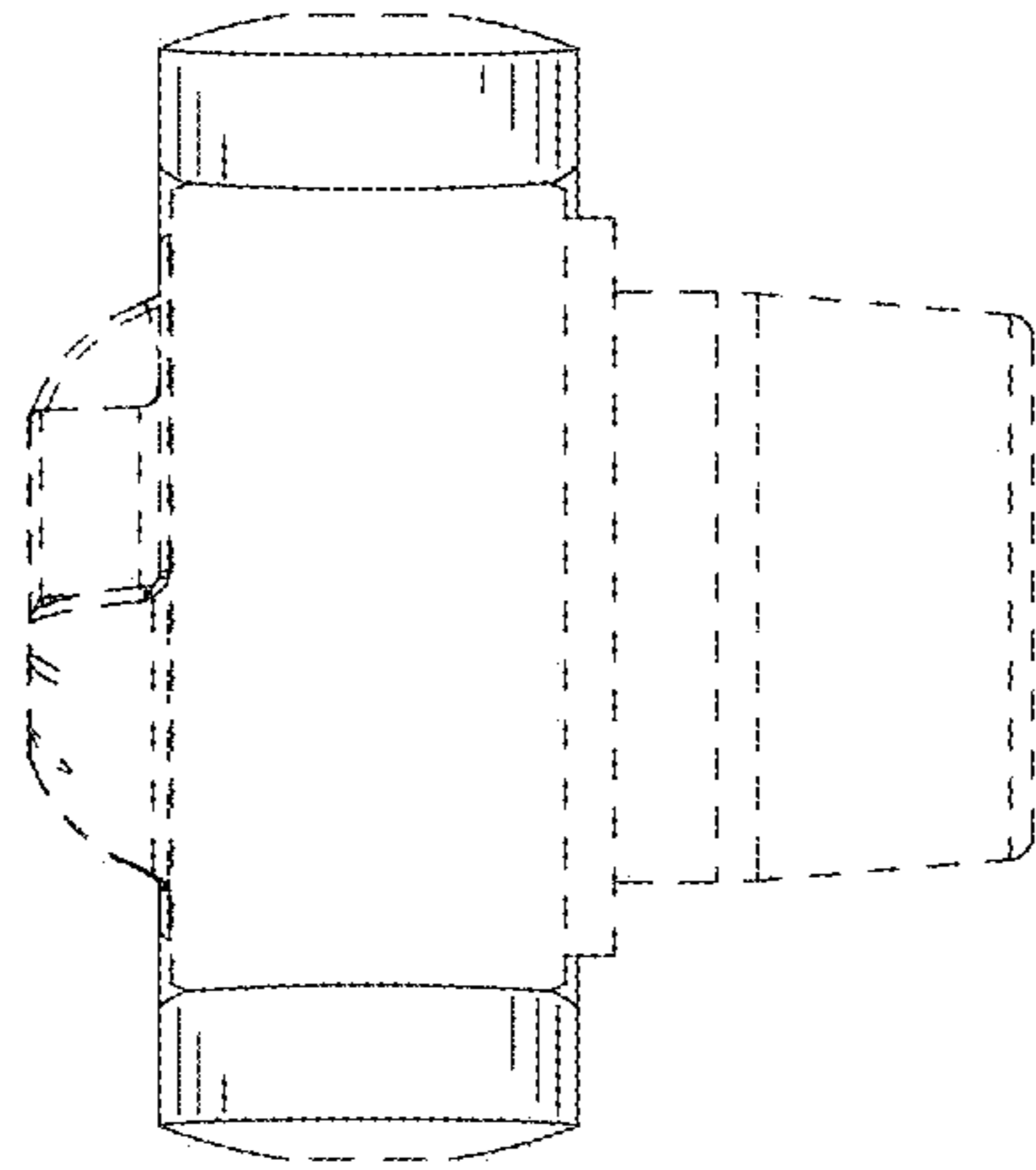


FIG. 4

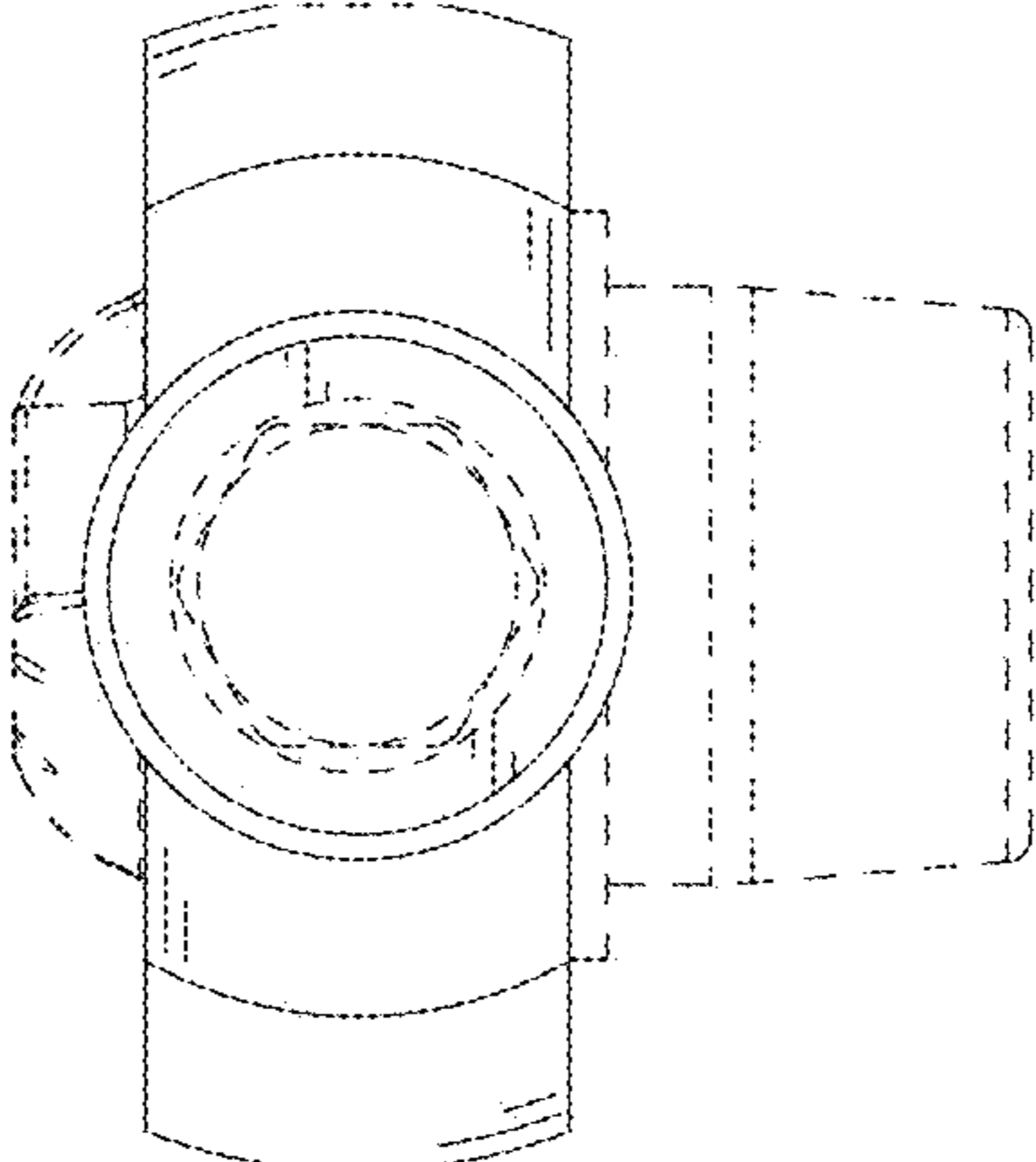


FIG. 5

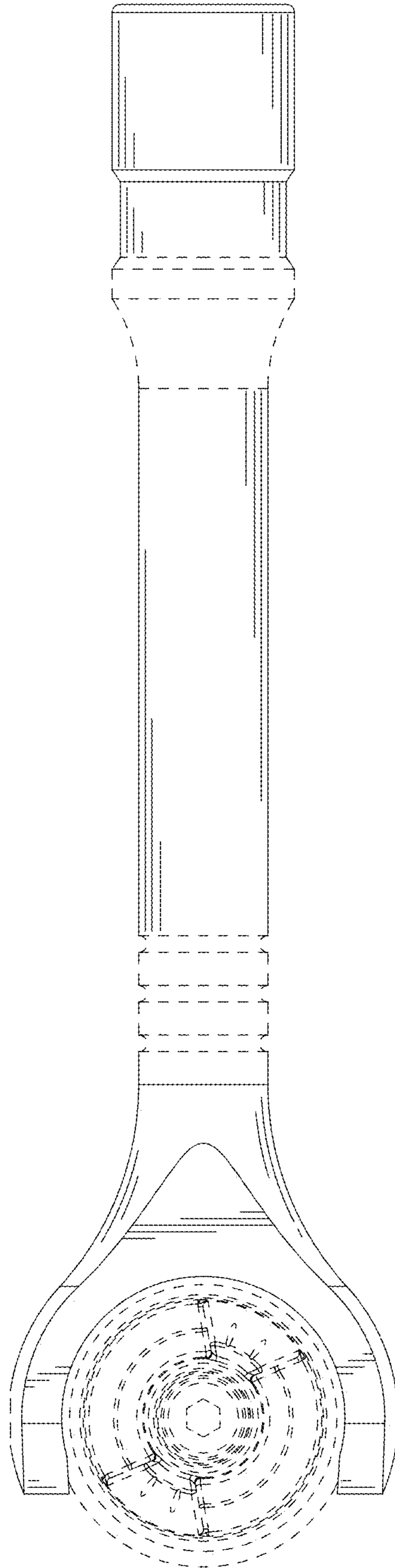


FIG. 6

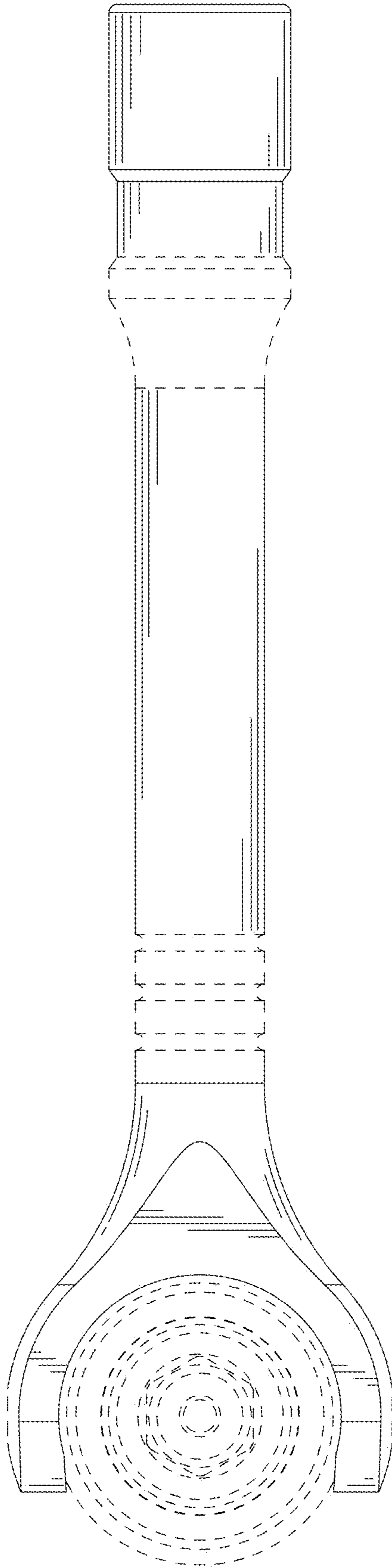


FIG. 7