

US00D967688S

(12) **United States Design Patent** (10) **Patent No.:** **US D967,688 S**
Li (45) **Date of Patent:** **** Oct. 25, 2022**

(54) **KNIFE SHARPENER**

(71) Applicant: **Jihui Li**, Yangjiang (CN)

(72) Inventor: **Jihui Li**, Yangjiang (CN)

(**) Term: **15 Years**

(21) Appl. No.: **29/837,626**

(22) Filed: **May 6, 2022**

(51) **LOC (13) Cl.** **08-05**

(52) **U.S. Cl.**
USPC **D8/93**

(58) **Field of Classification Search**
USPC D8/63, 90, 91, 92, 93
CPC B24B 3/54; B24B 3/36; B24B 3/58; B24B
3/00; B24B 23/08; B24D 15/00; B24D
15/06; B24D 15/063; B24D 15/08; B24D
15/081

See application file for complete search history.

(56) **References Cited**

U.S. PATENT DOCUMENTS

D342,003 S	*	12/1993	Friel	D8/63
D470,382 S	*	2/2003	Kurz	D8/93
D542,616 S		5/2007	Elek et al.		
D640,523 S	*	6/2011	Stutz	D8/93
D640,909 S	*	7/2011	Stutz	D8/93
D680,846 S	*	4/2013	Smith	D8/93
D680,847 S	*	4/2013	Smith	D8/93
D763,650 S	*	8/2016	Severinson	D8/93

D773,913 S	*	12/2016	Severinson	D8/93
D876,199 S	*	2/2020	Zhu	D8/93
D888,527 S		6/2020	Cavanaugh, Jr.		
D924,652 S	*	7/2021	Guo	D8/93
D928,581 S	*	8/2021	Hong	D8/93
D929,200 S	*	8/2021	Huagn	D8/93
D949,658 S	*	4/2022	Chen	D8/93
2014/0120812 A1	*	5/2014	Smith	B24D 15/082 451/552

* cited by examiner

Primary Examiner — Philip S Hyder

(74) *Attorney, Agent, or Firm* — Georgi Korobanov

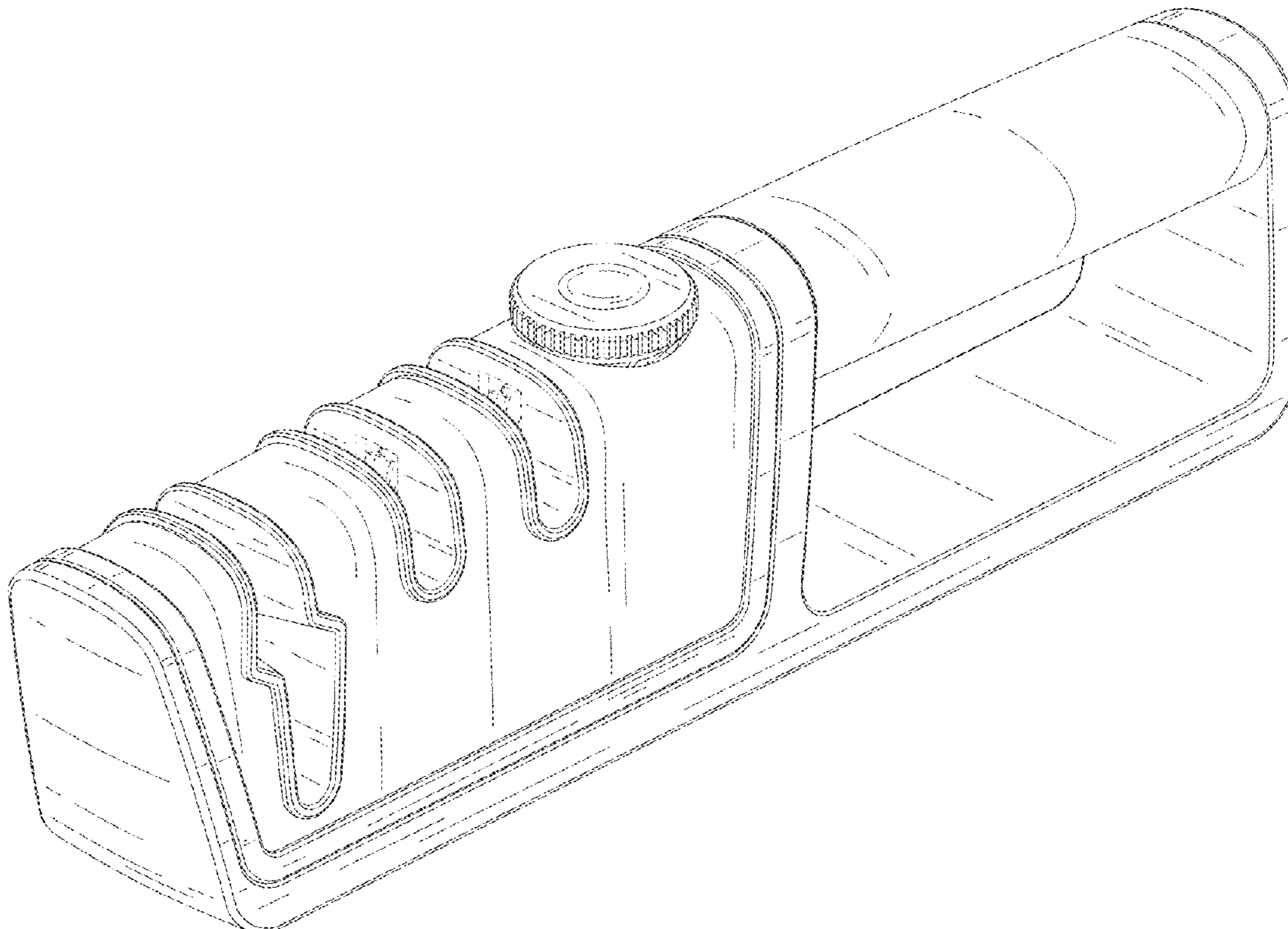
(57) **CLAIM**

The ornamental design for a knife sharpener, as shown and described.

DESCRIPTION

FIG. 1 is a perspective view of a knife sharpener, showing my new design;
FIG. 2 is another perspective view thereof;
FIG. 3 is a front view thereof;
FIG. 4 is a rear view thereof;
FIG. 5 is a left side view thereof;
FIG. 6 is a right side view thereof;
FIG. 7 is a top plan view thereof; and,
FIG. 8 is a bottom plan view thereof.
The broken lines depict portions of the knife sharpener in which the design is embodied that for no part of the claimed design.

1 Claim, 8 Drawing Sheets



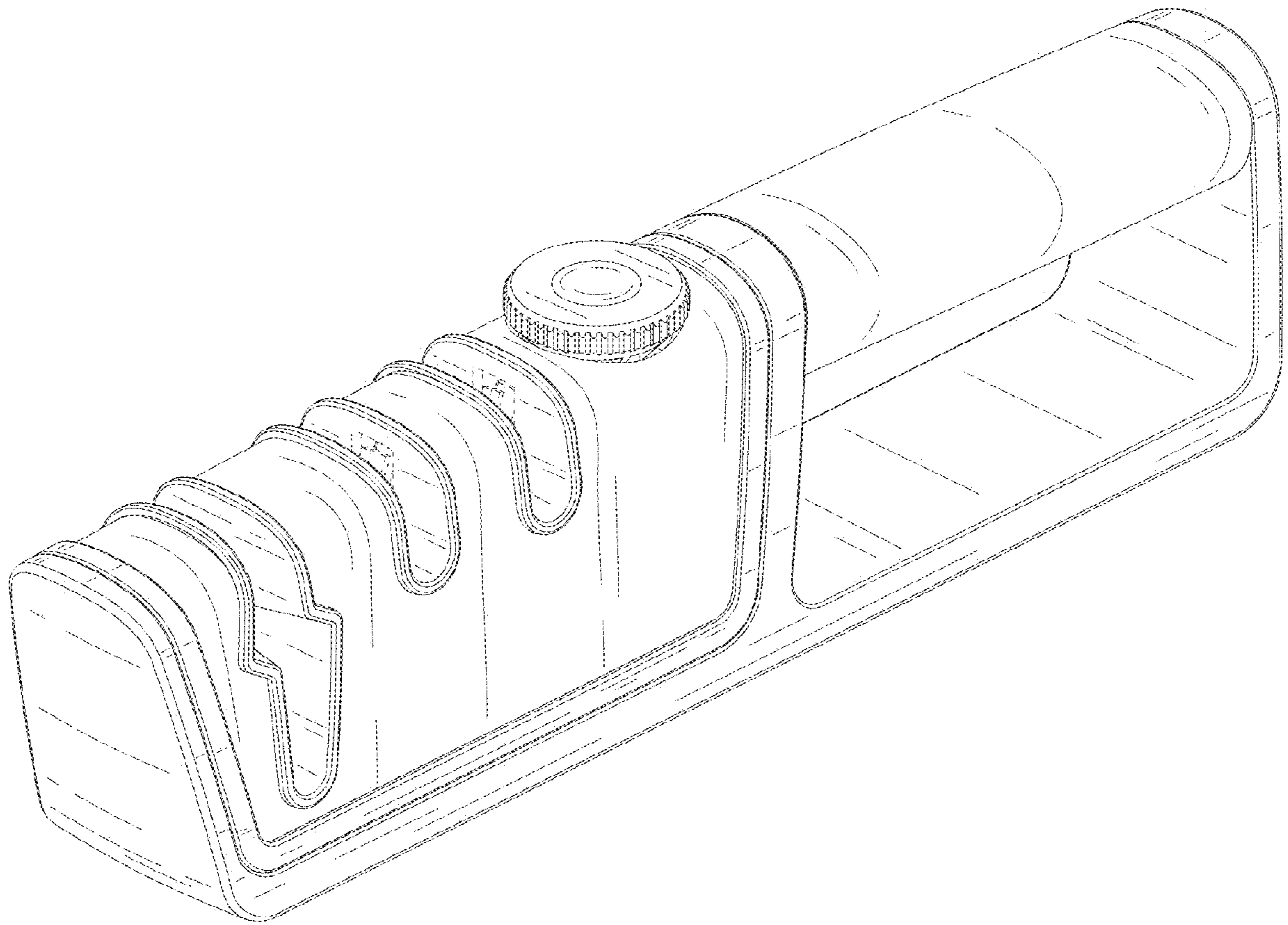


FIG. 1

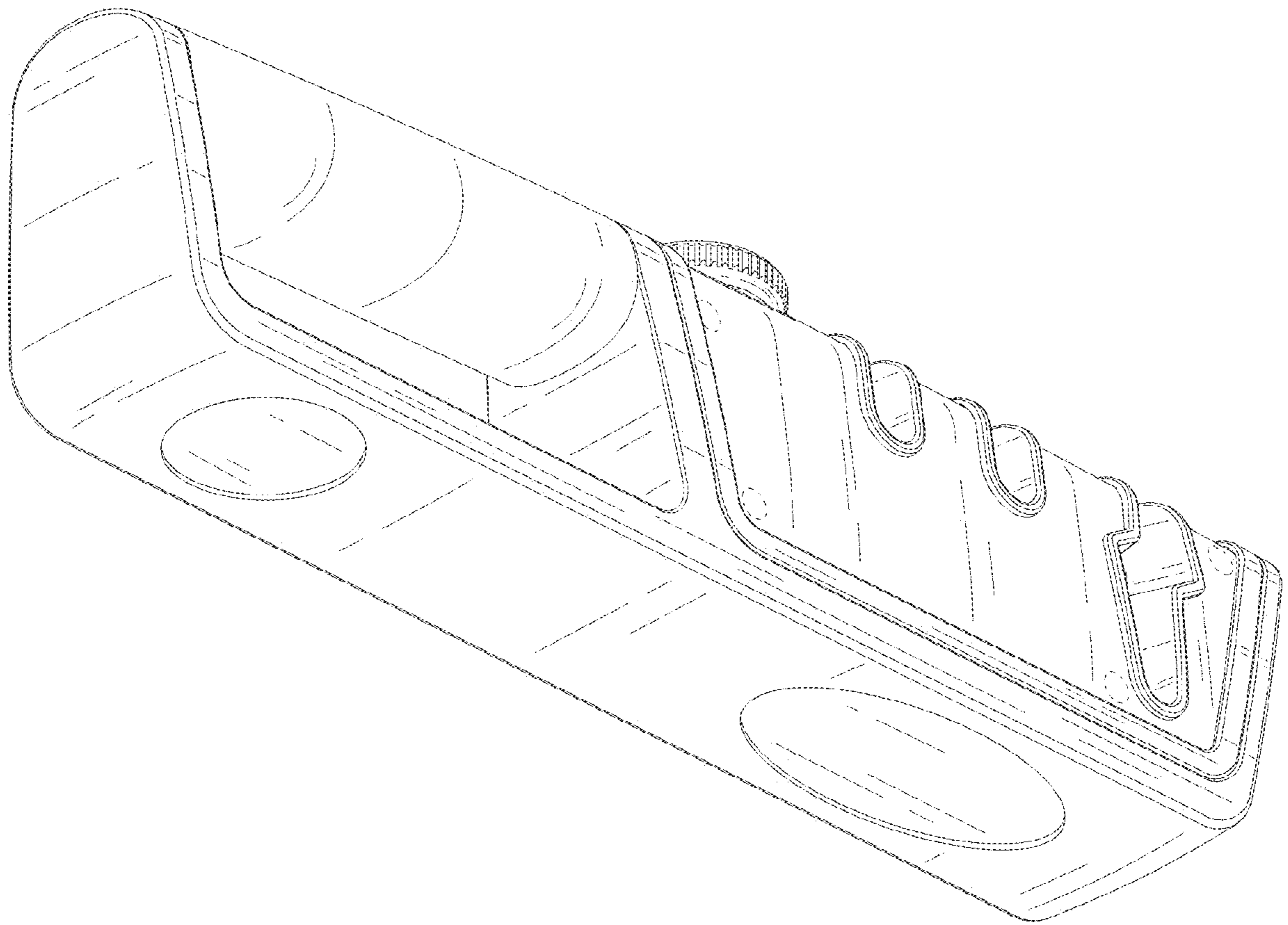


FIG. 2

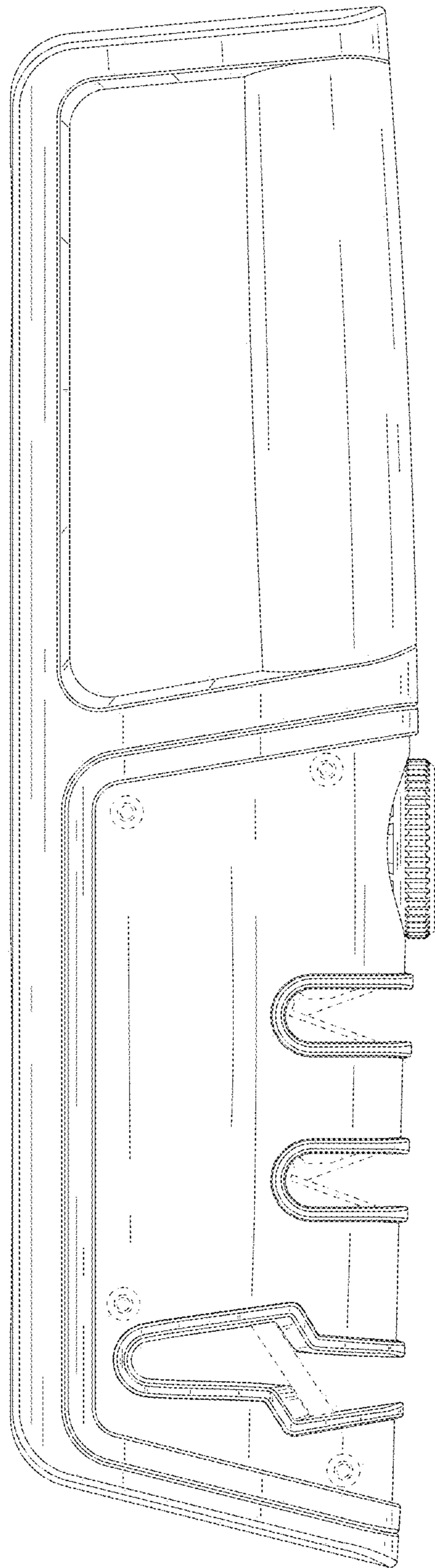


FIG. 3

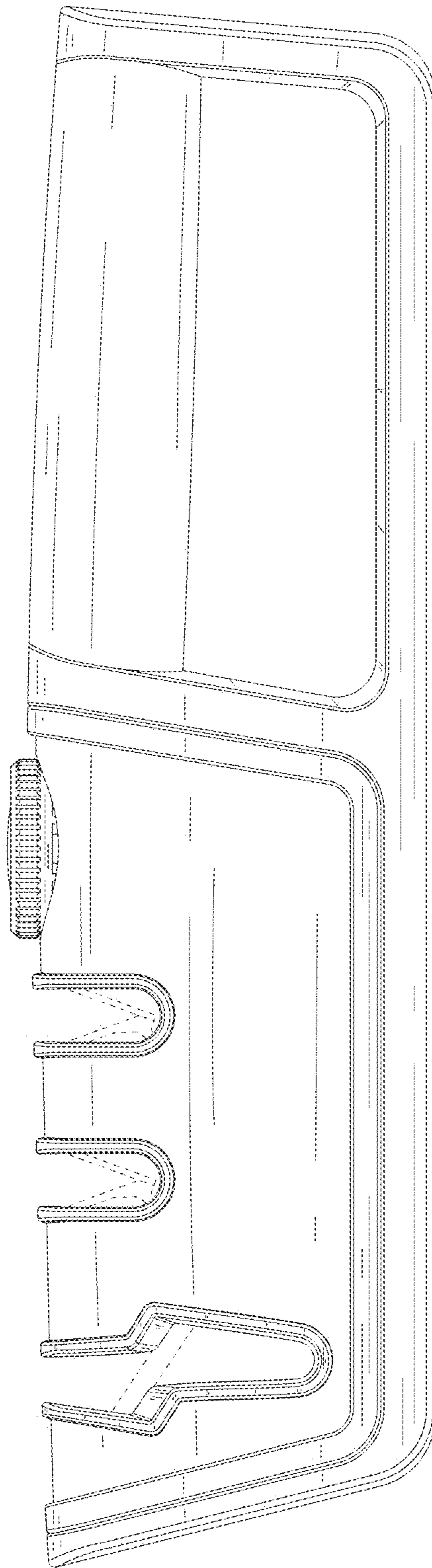


FIG. 4

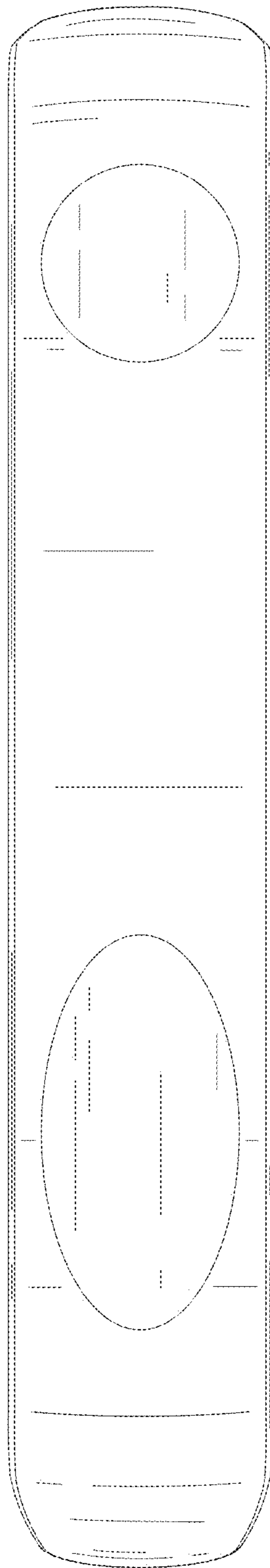


FIG. 5

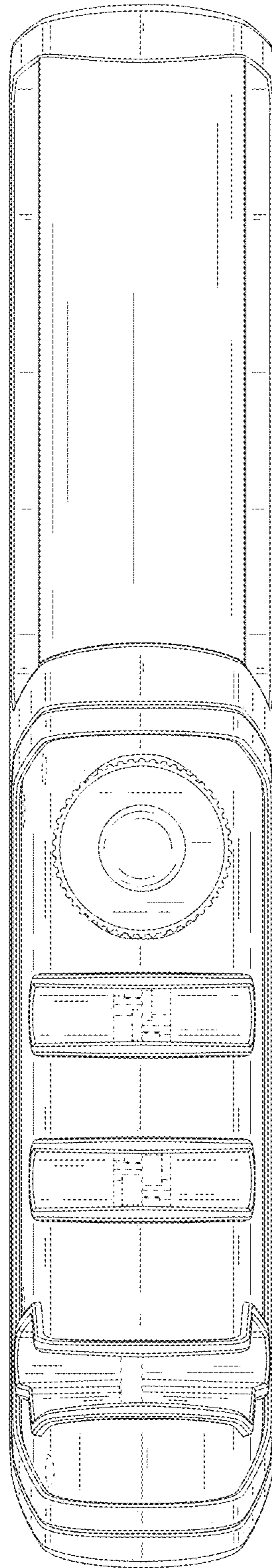


FIG. 6

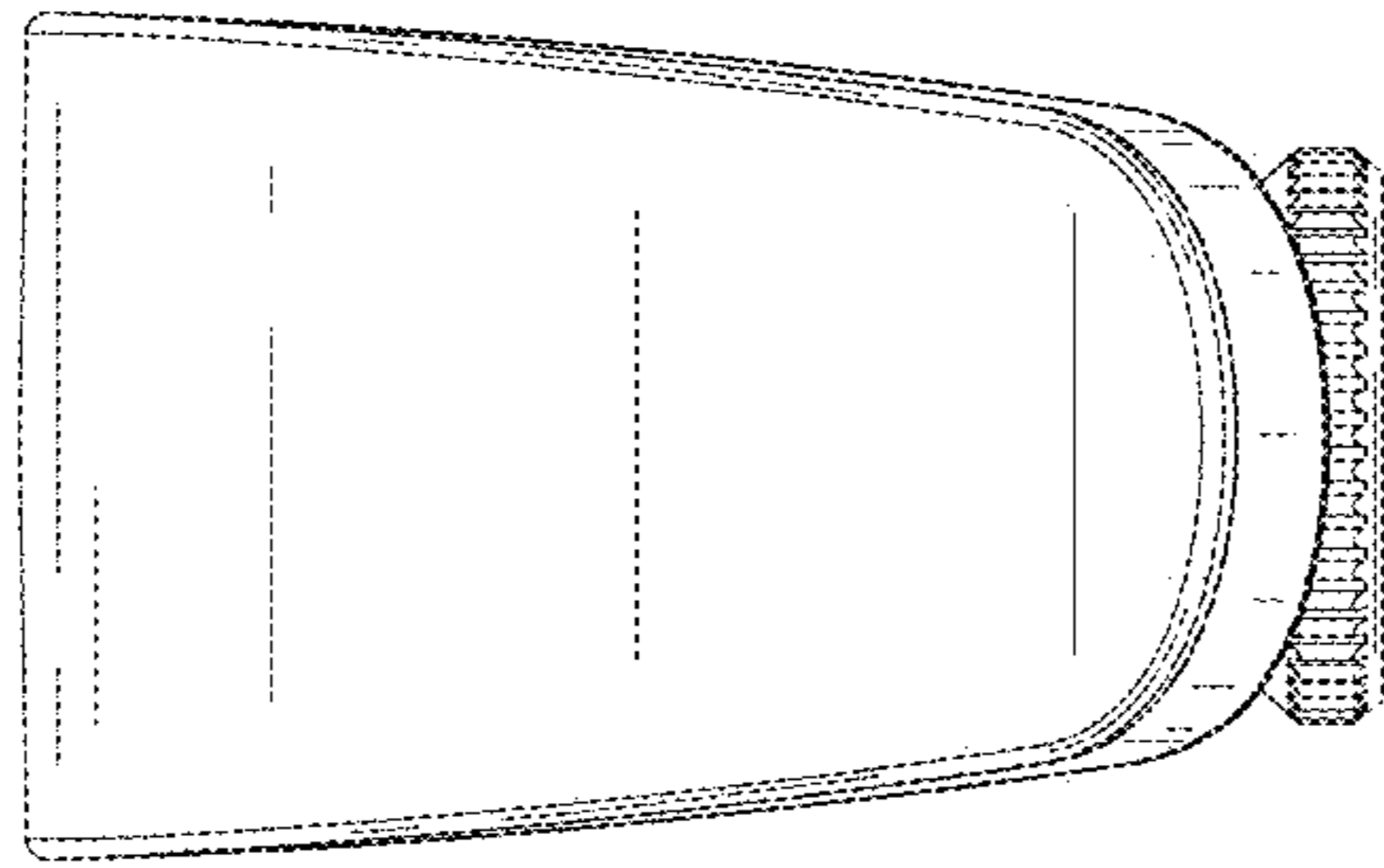


FIG. 7

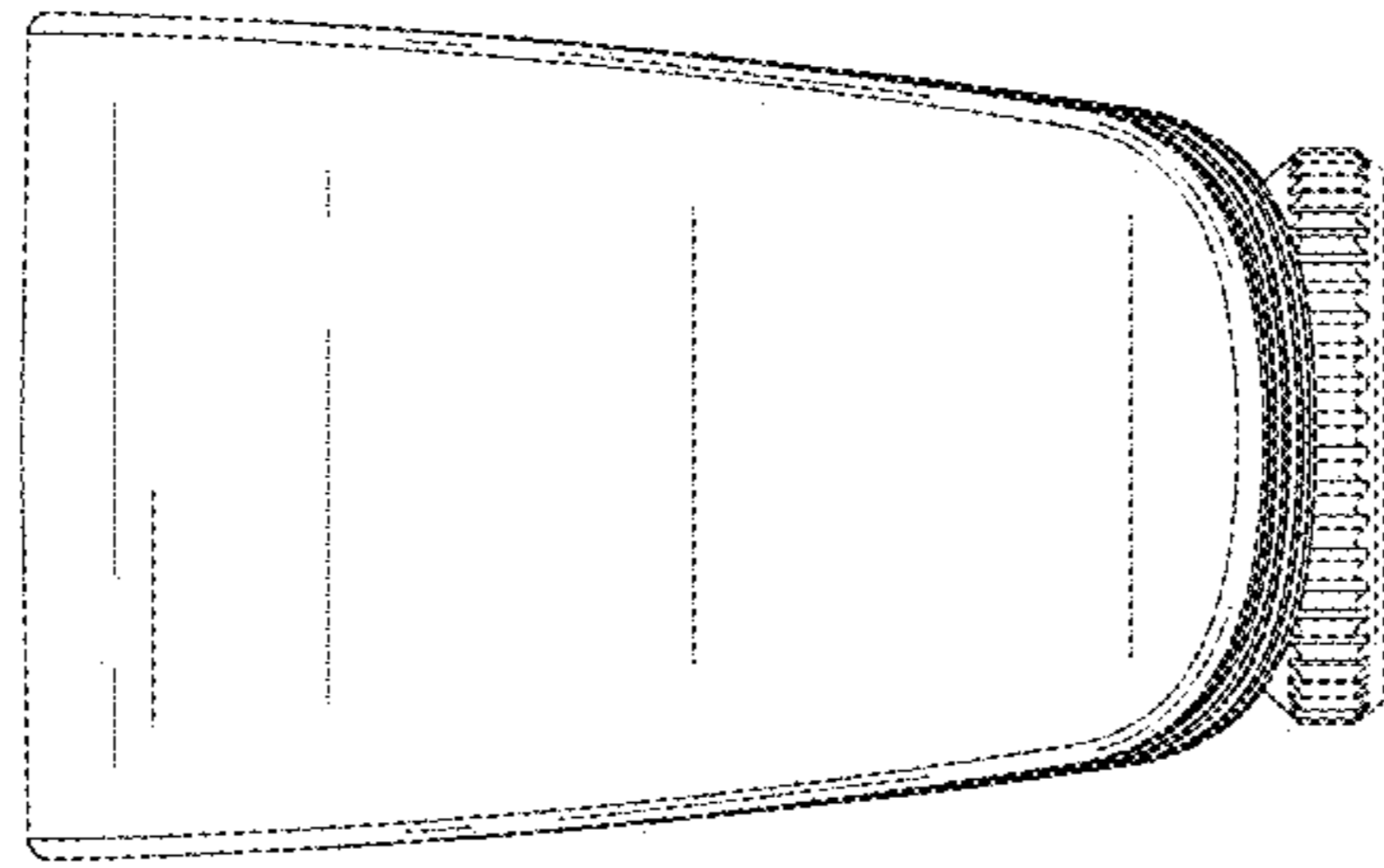


FIG. 8