



US00D967687S

(12) **United States Design Patent**  
**Gray**

(10) **Patent No.:** **US D967,687 S**

(45) **Date of Patent:** **\*\* Oct. 25, 2022**

(54) **C-CLAMP**

(71) Applicant: **Marvin Gray**, Tacoma, WA (US)

(72) Inventor: **Marvin Gray**, Tacoma, WA (US)

(\*\*) Term: **15 Years**

(21) Appl. No.: **29/781,340**

(22) Filed: **Apr. 29, 2021**

(51) **LOC (13) Cl.** ..... **08-05**

(52) **U.S. Cl.**  
USPC ..... **D8/73**

(58) **Field of Classification Search**  
USPC ..... D8/71-74, 394-399, 59  
CPC ..... B25B 5/101; B25B 1/125; B25B 1/00;  
B25B 5/00

See application file for complete search history.

(56) **References Cited**

U.S. PATENT DOCUMENTS

D271,939 S *	12/1983	Little	.....	D8/73
D278,308 S *	4/1985	Garvis	.....	D8/71
4,747,590 A *	5/1988	Yang	.....	B25B 5/003 269/45
D296,515 S *	7/1988	Cors	.....	D8/59
D302,380 S *	7/1989	Garvis	.....	D8/72
D348,816 S *	7/1994	Degen	.....	D8/73
D358,538 S *	5/1995	Cote	.....	D8/73
D375,239 S *	11/1996	Hall	.....	D8/73
D480,617 S *	10/2003	Varzino	.....	D8/73

D487,689 S *	3/2004	Brass	.....	D8/73
D489,241 S *	5/2004	Parham	.....	D8/73
D719,002 S *	12/2014	Robinson	.....	D8/73
D909,166 S *	2/2021	Alva	.....	D8/73
D922,845 S *	6/2021	Hall	.....	D8/73
D943,381 S *	2/2022	Huang	.....	D8/73

\* cited by examiner

*Primary Examiner* — David G Muller

(74) *Attorney, Agent, or Firm* — Dean A. Craine, P.S.

(57) **CLAIM**

The ornamental design for a c-clamp, as shown and described.

**DESCRIPTION**

FIG. 1 is a front perspective view of a c-clamp showing my new design.

FIG. 2 is a front elevational view thereof.

FIG. 3 is a rear elevational view thereof.

FIG. 4 is a left side elevation view thereof.

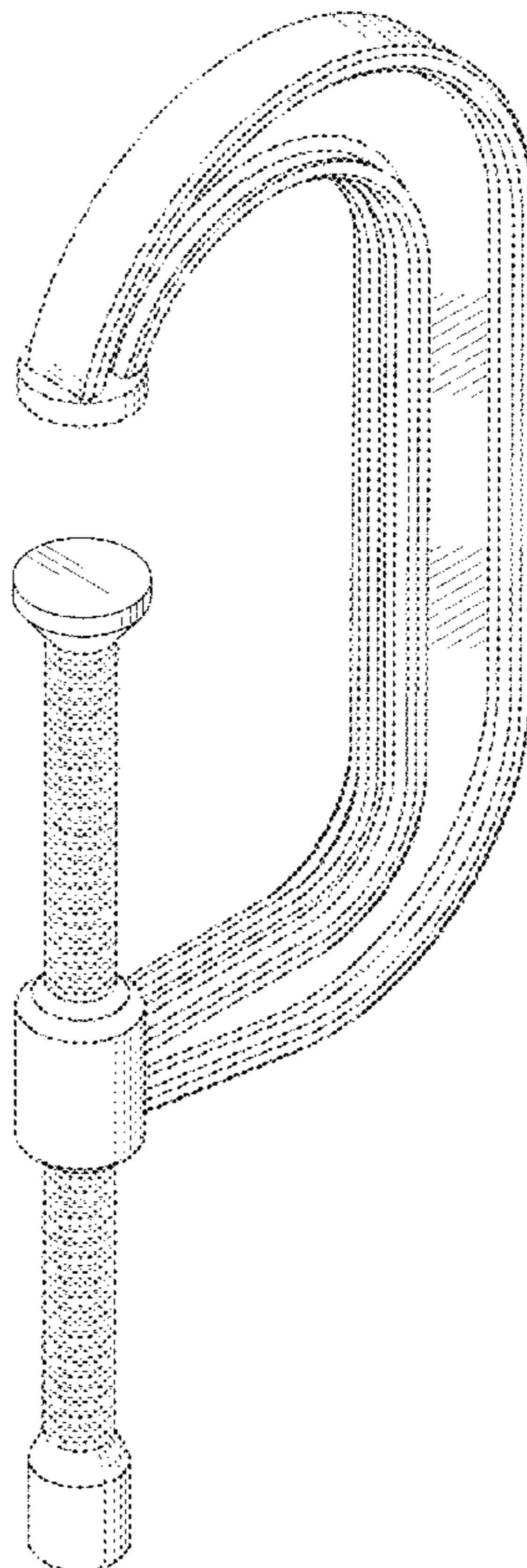
FIG. 5 is a right side elevation view thereof.

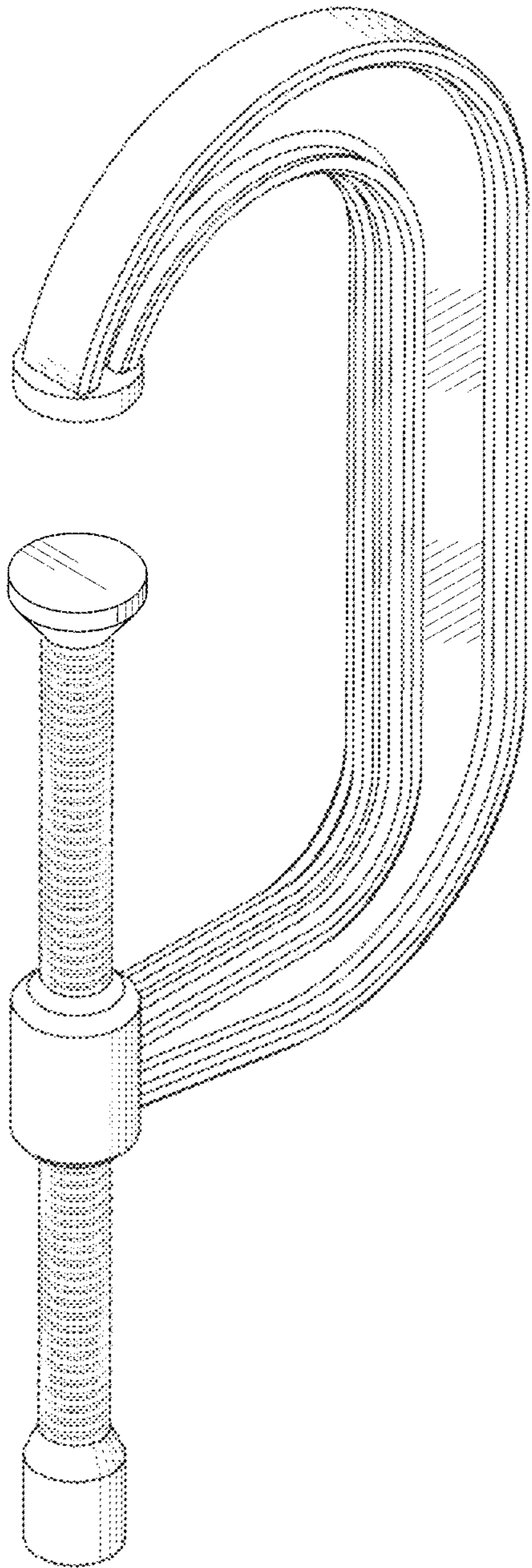
FIG. 6 is a top plan view thereof.

FIG. 7 is a bottom plan view thereof; and,

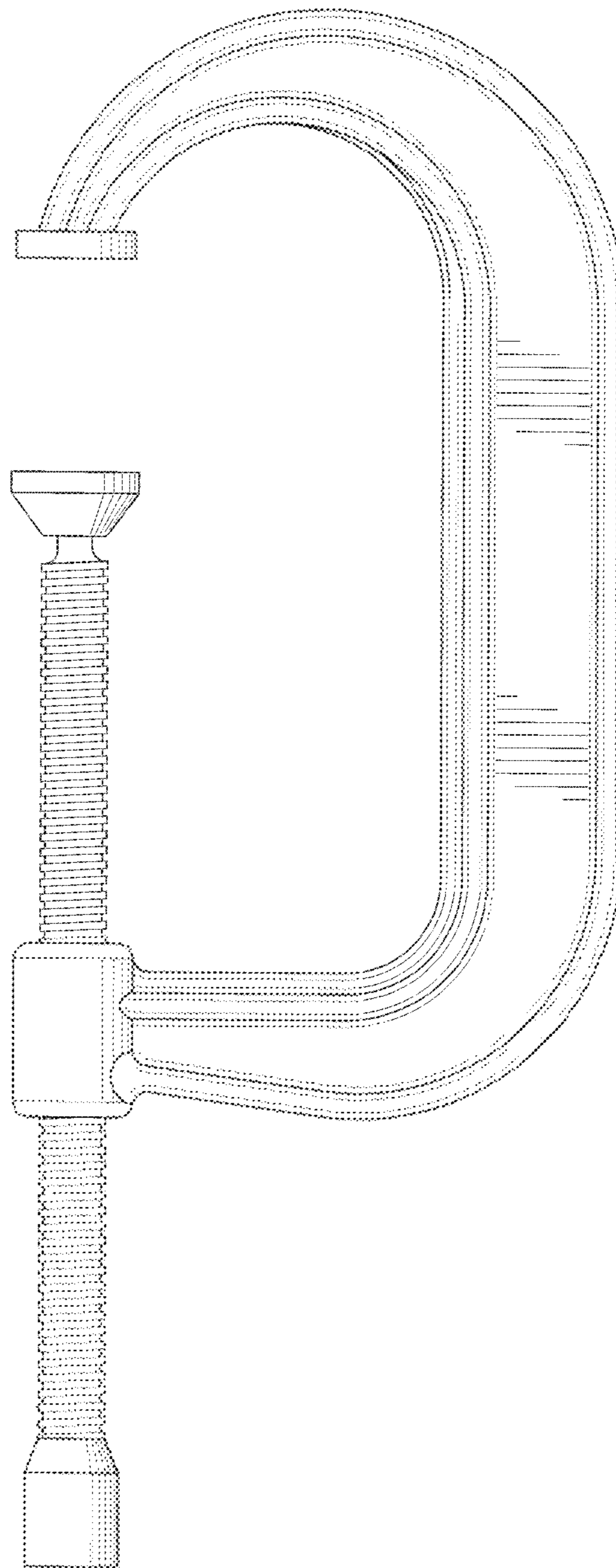
FIG. 8 is a partial sectional view thereof taken along line 8-8 in FIG. 7.

**1 Claim, 3 Drawing Sheets**

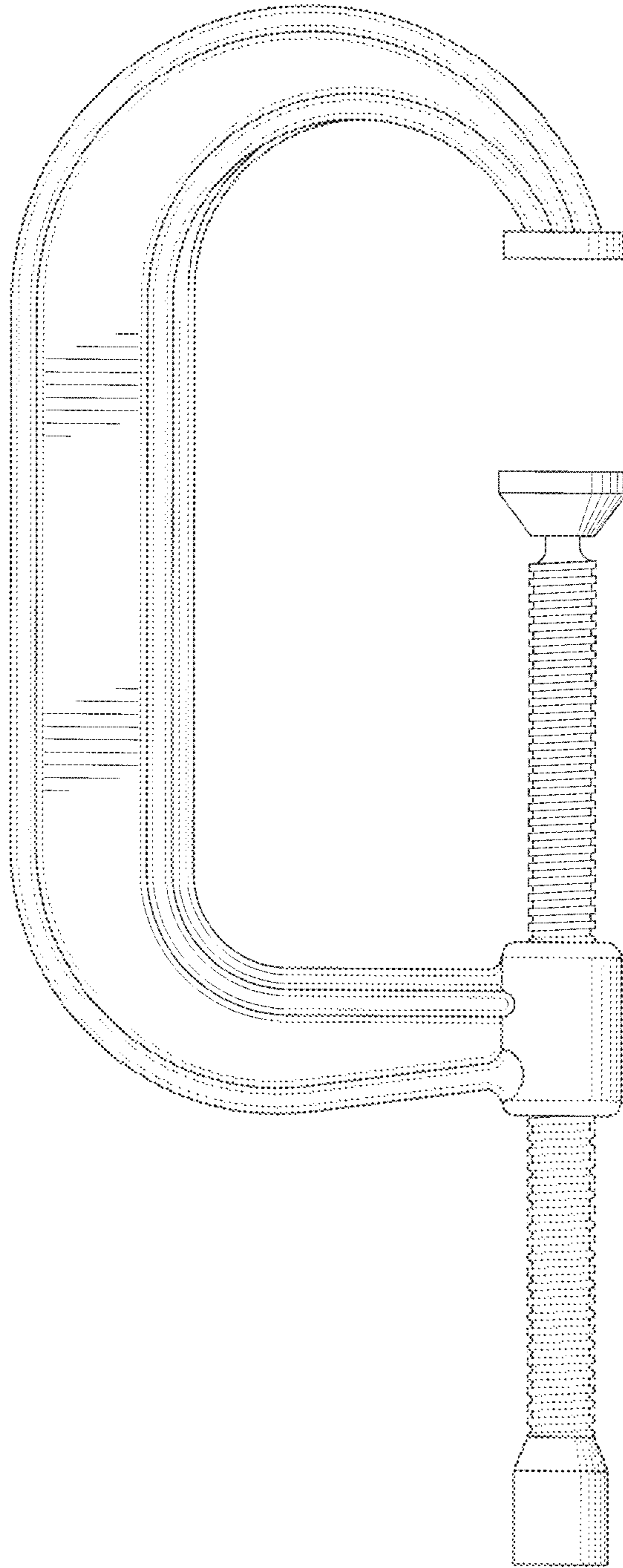




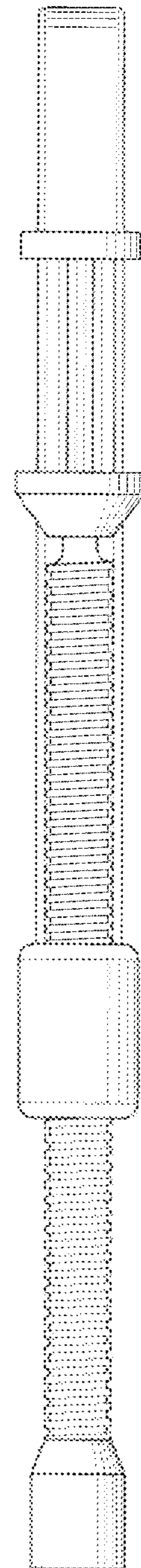
*Fig. 1*



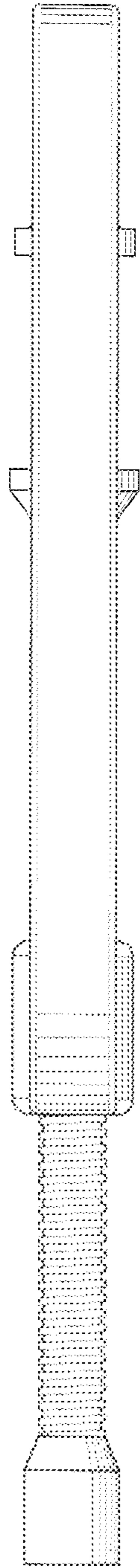
*Fig. 2*



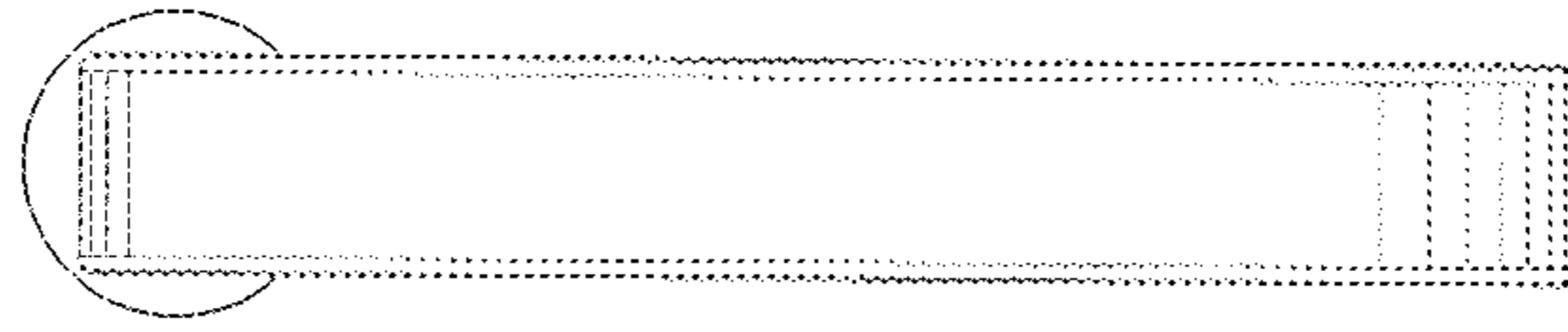
**Fig. 3**



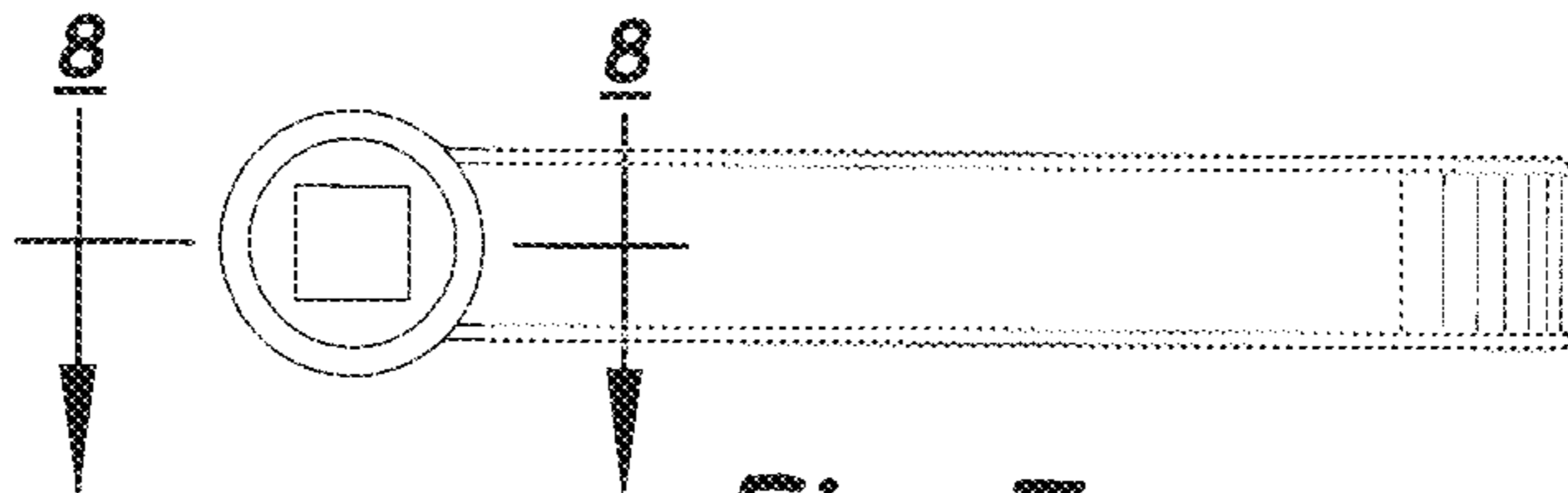
**Fig. 4**



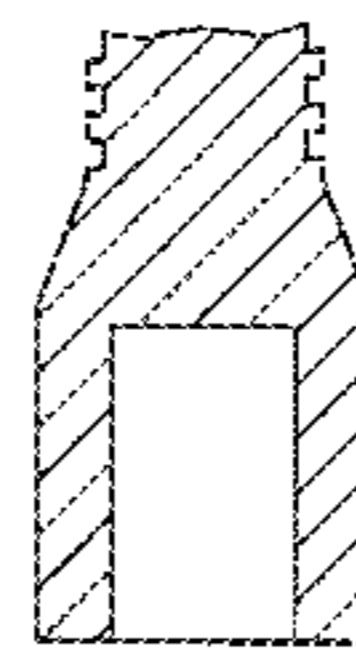
*Fig. 5*



*Fig. 6*



*Fig. 7*



*Fig. 8*