

US00D967686S

(12) **United States Design Patent** (10) **Patent No.:** **US D967,686 S**
Demers et al. (45) **Date of Patent:** **** Oct. 25, 2022**

(54) **TOOL HANDLE** CPC B25B 15/02; B25B 15/04; B25B 15/001;
 B25B 15/008; B25B 25/002; B25G
 (71) Applicant: **LOWE'S COMPANIES, INC.**, 1/005; B25G 1/046; B25G 1/085; B25G
 Mooresville, NC (US) 1/063
 (72) Inventors: **Brian Joseph Demers**, Huntersville, See application file for complete search history.
 NC (US); **Joseph Allen Berlepsch**,
 Mooresville, NC (US)

(73) Assignee: **LOWE'S COMPANIES, INC.**,
 Mooresville, NC (US)
 (**) Term: **15 Years**
 (21) Appl. No.: **29/724,345**
 (22) Filed: **Feb. 14, 2020**

(56) **References Cited**

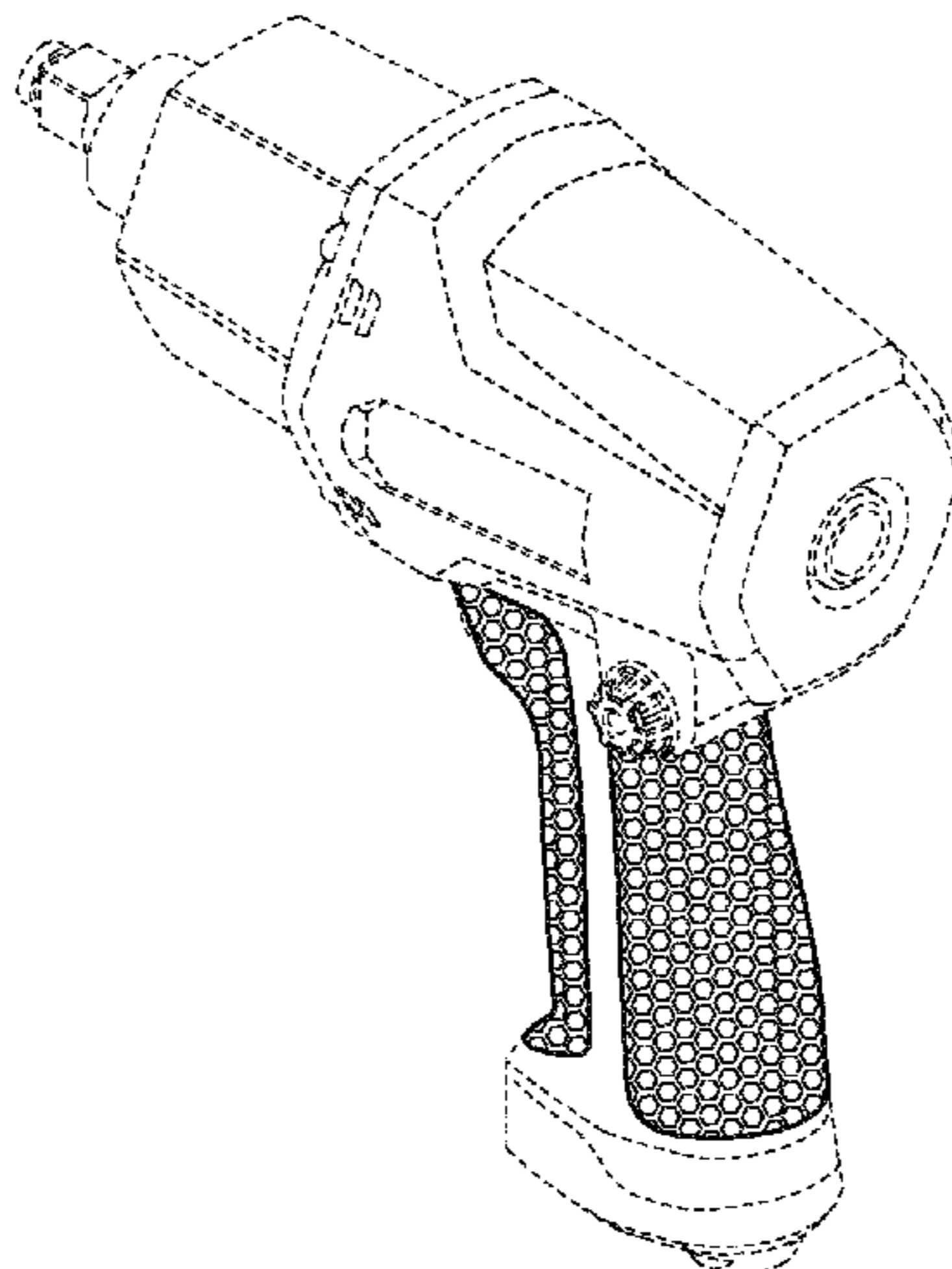
U.S. PATENT DOCUMENTS

106,079 A	8/1870	Sapp	
106,099 A	8/1870	Warren	
110,289 A	12/1870	Root	
114,283 A	5/1871	Gallaghee	
1,253,453 A	1/1918	Zorn	
1,257,948 A	2/1918	Aaron	
1,273,713 A	7/1918	Aaron	
1,674,485 A	6/1928	Smith	
D106,079 S	9/1937	Younglof	
D106,099 S	9/1937	Kalmis	
D110,289 S	6/1938	Morse	
D114,283 S	4/1939	Bach	
2,361,682 A	10/1944	Grabec	
D142,590 S	10/1945	Simon	
D151,860 S	11/1948	Stoyer	
D152,155 S	12/1948	Jacoff	
D177,537 S	4/1956	Schinske	
D180,805 S	8/1957	Plassman	
3,082,652 A	3/1963	Marti	
D199,088 S	9/1964	Hurlbut	
3,398,601 A	8/1968	Schroeder	
D218,009 S	7/1970	Bosak	
3,530,739 A	9/1970	Meier	
D233,507 S	11/1974	Stevens	
D246,691 S	12/1977	Takahashi	
D271,843 S	12/1983	Ferdinand et al.	
D282,236 S	1/1986	Shohoji et al.	
D288,769 S	3/1987	Doman	
D288,770 S	3/1987	Doman	
D289,136 S	4/1987	Doman	
D301,967 S	7/1989	Sakamoto et al.	
D303,748 S	* 10/1989	Yamagishi	D7/649
D316,020 S	4/1991	Fushiya et al.	
5,084,935 A	2/1992	Kalthoff	
D324,411 S	3/1992	Jolibois	
D325,506 S	4/1992	Michas et al.	
D328,559 S	8/1992	Wilson	
D329,590 S	9/1992	Chapman	
D332,561 S	1/1993	Fushiya et al.	
5,193,730 A	3/1993	Tanaka et al.	
D358,746 S	5/1995	Neff	
D359,216 S	* 6/1995	Kozak	D8/70

Related U.S. Application Data

(62) Division of application No. 29/669,214, filed on Nov. 6, 2018, now Pat. No. Des. 889,927, which is a division of application No. 29/601,602, filed on Apr. 24, 2017, now Pat. No. Des. 837,025, which is a division of application No. 29/530,843, filed on Jun. 19, 2015, now Pat. No. Des. 788,564, which is a division of application No. 29/472,387, filed on Nov. 12, 2013, now Pat. No. Des. 735,553, which is a division of application No. 29/406,984, filed on Nov. 21, 2011, now Pat. No. Des. 696,596, which is a division of application No. 29/390,549, filed on Apr. 26, 2011, now Pat. No. Des. 652,702, which is a division of application No. 29/361,192, filed on May 6, 2010, now Pat. No. Des. 639,132, which is a division of application No. 29/318,754, filed on May 27, 2008, now Pat. No. Des. 617,623, which is a division of application No. 29/249,420, filed on Oct. 5, 2006, now Pat. No. Des. 589,322.

(51) **LOC (13) Cl.** **08-05**
 (52) **U.S. Cl.**
 USPC **D8/68; D8/107**
 (58) **Field of Classification Search**
 USPC ... D8/14, 51, 82, 83, 84, 85, 105, 107, 300;
 D7/395; D32/49, 52



US D967,686 S

D365,742 S	1/1996	Decursu et al.		D474,412 S	5/2003	Ichinose et al.	
5,528,834 A *	6/1996	Seber	B25G 1/102	D474,528 S *	5/2003	Huang	D23/225
			30/340	D475,269 S	6/2003	Matem	
D375,243 S *	11/1996	Hasegawa	D22/118	D475,598 S	6/2003	Hung	
D375,269 S	11/1996	Wertheim et al.		D477,980 S	8/2003	Chang	
D376,637 S *	12/1996	Kieffer	D23/223	D478,292 S	8/2003	Hsu	
5,579,556 A	12/1996	Chung		D479,110 S	9/2003	Nolan et al.	
5,582,834 A	12/1996	Leung et al.		D482,203 S	11/2003	Goulet	
D377,590 S	1/1997	Lai		D482,259 S	11/2003	Chen	
D378,268 S *	3/1997	Schultz	D8/68	D483,633 S	12/2003	Jansson et al.	
D383,658 S	9/1997	Kaiser		D483,634 S	12/2003	Jansson et al.	
D387,734 S	12/1997	Hawkins et al.		D484,767 S	1/2004	Hsu	
D389,394 S	1/1998	Taylor		D485,738 S	1/2004	Pretzell	
D394,995 S	6/1998	Cooper		D486,047 S	2/2004	Jansson et al.	
D396,619 S	8/1998	Hunter		D486,050 S	2/2004	Rampen	
D398,507 S	9/1998	Thompson et al.		D486,716 S	2/2004	Levine et al.	
D399,113 S	10/1998	Balolia		D487,025 S	2/2004	Grunstad et al.	
D400,074 S *	10/1998	Cooper	D8/68	D487,875 S	3/2004	Wang	
5,839,992 A	11/1998	Phillips		D490,680 S	6/2004	Levine et al.	
D406,520 S	3/1999	Bunzel et al.		D491,083 S	6/2004	Lin	
D407,000 S	3/1999	Jacoff		6,742,222 B2	6/2004	Furr-Britt et al.	
D410,859 S	6/1999	Hioki		6,745,883 B2	6/2004	Eto et al.	
D411,726 S *	6/1999	Novak	D8/107	6,752,556 B2	6/2004	Pearce	
D412,273 S	7/1999	Chung		D492,559 S	7/2004	Itano	
D415,007 S	10/1999	Jimenez et al.		D495,226 S	8/2004	Grant et al.	
D415,971 S	11/1999	Hsu		6,772,994 B1	8/2004	Lawless	
D416,179 S	11/1999	Staton et al.		6,776,073 B1	8/2004	Brady et al.	
D416,182 S	11/1999	Kaiser et al.		6,796,002 B2	9/2004	Beckwith	
D416,184 S	11/1999	Gathmann		D501,538 S *	2/2005	Zeng	D23/226
D416,775 S	11/1999	Hwang et al.		6,858,286 B1	2/2005	Simm et al.	
D416,776 S	11/1999	Liu		D502,377 S	3/2005	Aglassinger	
D418,730 S	1/2000	Main		D503,351 S	3/2005	Chen	
D418,731 S	1/2000	Rowlay et al.		D503,897 S	4/2005	Lin	
D420,879 S	2/2000	Watson et al.		D504,077 S	4/2005	DeBoer et al.	
D421,231 S	2/2000	Hsu		D507,195 S	7/2005	Kondo et al.	
D422,481 S	4/2000	Bertani		D507,197 S	7/2005	Sun	
D424,401 S	5/2000	Ziemer		D507,950 S *	8/2005	Aglassinger	D8/68
6,056,344 A	5/2000	Forsyth		D510,247 S	10/2005	White	
6,062,323 A *	5/2000	Pusateri	B25B 21/00	D510,849 S	10/2005	Carlson et al.	
			173/169	D512,291 S	12/2005	Thomas et al.	
6,073,863 A *	6/2000	Wang	B05B 1/3026	D512,927 S *	12/2005	Verdura	D10/71
			239/525	D515,383 S *	2/2006	Aglassinger	D8/69
D429,134 S	8/2000	Schultz et al.		D515,389 S	2/2006	Hsu	
D432,034 S	10/2000	Heimerle		D516,893 S	3/2006	Kuo	
D432,381 S	10/2000	Khachatoorian		D517,645 S *	3/2006	Chang	D23/226
D432,883 S	10/2000	Wingert		D517,888 S	3/2006	DeBoer et al.	
6,128,808 A	10/2000	JAansson et al.		D517,889 S	3/2006	Hsieh	
D433,344 S	11/2000	Hsu		D519,017 S	4/2006	Hsieh	
D434,298 S *	11/2000	Izumisawa	D8/68	D519,816 S	5/2006	Budrow et al.	
6,176,156 B1 *	1/2001	Coonrad	B25D 1/00	D520,856 S	5/2006	Osiecki et al.	
			81/20	D520,859 S	5/2006	Osiecki et al.	
6,186,386 B1	2/2001	Canlas et al.		D521,346 S	5/2006	Budrow et al.	
6,189,759 B1	2/2001	Canlas et al.		D521,347 S	5/2006	Budrow et al.	
6,195,562 B1	2/2001	Pirhonen et al.		7,051,626 B1	5/2006	Chen et al.	
D440,848 S	4/2001	Izumisawa		7,054,626 B2	5/2006	Rossmann	
D440,856 S	4/2001	Jimenez		D522,889 S	6/2006	Wallace	
D441,269 S	5/2001	Tsai		D523,234 S	6/2006	DeBoer et al.	
D441,671 S	5/2001	Hsu		D527,236 S	8/2006	Wu	
D442,053 S	5/2001	Jimenez		D528,910 S	9/2006	Kingsley	
D442,458 S	5/2001	Jimenez		D529,357 S	10/2006	Qiu	
D446,942 S	8/2001	Kim		D530,200 S	10/2006	Kingsley	
6,290,115 B1	9/2001	Chen		D533,455 S	12/2006	Leck et al.	
D449,546 S	10/2001	Lee		D533,796 S	12/2006	Radivojevic et al.	
D453,880 S *	2/2002	Cheyne	D5/47	D534,091 S	12/2006	Ebihara	
D454,477 S	3/2002	Lin		D536,908 S	2/2007	Eros	
6,363,579 B1	4/2002	King		D536,944 S	2/2007	Tsai et al.	
6,371,348 B1	4/2002	Canlas et al.		D537,308 S	2/2007	Wang	
6,376,716 B1 *	4/2002	Arai	C07C 319/06	D537,676 S	3/2007	Kingsley	
			568/21	D537,697 S	3/2007	Jimenez	
D456,727 S	5/2002	Yang		D538,129 S	3/2007	Jansson et al.	
D457,003 S *	5/2002	Newman	D4/122	D543,081 S	5/2007	Watson	
6,460,256 B2 *	10/2002	Peppel	B25G 1/102	D543,085 S	5/2007	Aglassinger	
			30/340	D543,812 S	6/2007	Burry et al.	
D465,716 S *	11/2002	Hsieh	D8/107	D543,828 S	6/2007	Strutin-Belinoff et al.	
D467,483 S	12/2002	Heun		D544,383 S	6/2007	Tarver, III	
D468,607 S	1/2003	Price et al.		D544,770 S *	6/2007	Yang	D8/52
D471,784 S	3/2003	Garvis et al.		D547,624 S	7/2007	Strahorn	
D471,976 S	3/2003	Pavlu et al.		D550,058 S	9/2007	Aglassinger	
D472,787 S *	4/2003	Kyte	D8/10	D552,213 S *	10/2007	Schmon	D23/226

D553,907 S *	10/2007	Catalano	D7/401.2
D556,536 S *	12/2007	Aglassinger	D8/107
D560,127 S	1/2008	Elam	
D562,398 S	2/2008	Qiu et al.	
D568,715 S	5/2008	Gustafson et al.	
D570,664 S	6/2008	Tang	
D571,679 S	6/2008	McEwan et al.	
D572,553 S	7/2008	Demers et al.	
D572,558 S	7/2008	Demers et al.	
D572,559 S	7/2008	Demers et al.	
D572,560 S	7/2008	Demers et al.	
D572,561 S	7/2008	Demers et al.	
D572,563 S	7/2008	McRoberts et al.	
D572,564 S *	7/2008	Tilk	D8/107
D572,613 S	7/2008	Levick et al.	
D572,614 S	7/2008	McEwan et al.	
D576,853 S	9/2008	Aglassinger	
D578,852 S	10/2008	Enriquez	
D584,116 S *	1/2009	Jackson	D7/696
D584,592 S	1/2009	Irby	
D585,261 S	1/2009	Shih	
D589,321 S	3/2009	Demers et al.	
D589,322 S *	3/2009	Demers	D8/107
D590,225 S	4/2009	Sell	
D591,570 S	5/2009	Lee et al.	
D592,731 S *	5/2009	Hung	D23/223
D594,304 S	6/2009	Aglassinger	
D597,811 S	8/2009	Yu	
D600,996 S	9/2009	Sterling	
7,594,548 B1	9/2009	Puzio et al.	
D604,186 S	11/2009	Schrage	
D604,579 S	11/2009	Robinson et al.	
D604,580 S	11/2009	Robinson et al.	
D604,583 S	11/2009	Yamamoto et al.	
D605,012 S	12/2009	Robinson et al.	
D608,616 S	1/2010	Demers et al.	
D609,549 S	2/2010	Demers et al.	
D615,381 S *	5/2010	Demers	D8/107
D617,623 S *	6/2010	Demers	D8/80
7,730,589 B2	6/2010	Dineen	
D620,777 S *	8/2010	Demers	D8/107
7,766,097 B2	8/2010	Kondo	
7,770,262 B2	8/2010	Schultz et al.	
D627,619 S	11/2010	Demers et al.	
D639,132 S *	6/2011	Demers	D8/107
D642,889 S *	8/2011	Boehm	D8/107
D644,906 S	9/2011	Demers et al.	
D644,909 S	9/2011	Demers et al.	
8,066,205 B2 *	11/2011	Bass	B05B 7/083 239/526
D652,702 S *	1/2012	Demers	D8/52
D655,994 S	3/2012	Schoch	
D671,387 S *	11/2012	Demers	D8/107
8,330,029 B2	12/2012	Dunlop	
D673,436 S	1/2013	Murray et al.	
D673,437 S	1/2013	Schoch	
8,418,321 B1	4/2013	Heiman	
D683,427 S *	5/2013	Moore	D23/226
D696,596 S *	12/2013	Demers	D10/72
8,615,888 B2 *	12/2013	Catalano	B25G 1/102 30/340
D735,553 S *	8/2015	Demers	D8/107
D745,636 S *	12/2015	Lin	D23/226
D782,008 S *	3/2017	Naslund	D23/226
D788,564 S *	6/2017	Demers	D8/107
D796,004 S *	8/2017	Yang	D23/225
D812,718 S *	3/2018	Kosaka	D23/226
D815,490 S *	4/2018	Constantine	D7/401.2
D826,025 S *	8/2018	Harrington	D8/107
D837,025 S *	1/2019	Demers	D8/107
D837,205 S	1/2019	Demers et al.	
D839,708 S *	2/2019	Croghan	D8/68
D859,115 S *	9/2019	Cooper	D8/68
D861,455 S *	10/2019	Chang	D8/107
D862,189 S *	10/2019	Taylor	D8/69
2003/0094294 A1	5/2003	Fritz	
2003/0172498 A1	9/2003	Polzin et al.	

2004/0246735 A1	12/2004	Huang
2005/0001070 A1	1/2005	Wu
2005/0178858 A1	8/2005	Roman
2006/0090265 A1	5/2006	Fisher et al.
2006/0175069 A1	8/2006	Sakakibara et al.
2012/0012671 A1	1/2012	Brose et al.
2014/0048627 A1	2/2014	Schmon et al.
2015/0165463 A1	6/2015	Gehring

FOREIGN PATENT DOCUMENTS

EM	000702089-0002	4/2007
JP	D 1253453	2/2005
TW	144783 B	10/1990
TW	232614 B	10/1994
TW	251211 B	7/1995
TW	309829 B	7/1997
TW	390769 B	5/2000
TW	391820 B	5/2000
TW	403527 B	8/2000
TW	405983 B	9/2000
TW	433951 B	5/2001
TW	440312 B	6/2001
TW	440384 B	6/2001
TW	443904 B	6/2001
TW	453826 B	9/2001
TW	478775 B	3/2002
TW	539445 B	6/2003
TW	542548 B	7/2003
TW	D 106099	8/2004
TW	D 114283	2/2005
TW	D 110289	4/2005
TW	D 106079	8/2005

OTHER PUBLICATIONS

Taiwanese Search Report for Design Application No. 096301934 dated Nov. 28, 2008.

* cited by examiner

Primary Examiner — Darlington Ly
(74) *Attorney, Agent, or Firm* — Moore & Van Allen PLLC; W. Kevin Ransom

(57) **CLAIM**

The ornamental design for a tool handle, as shown and described.

DESCRIPTION

FIG. 1 is a perspective view of a tool handle according to the present invention;
FIG. 2 is a plan view of the top side of the tool handle of FIG. 1;
FIG. 3 is a plan view of the bottom side of the tool handle of FIG. 1;
FIG. 4 is an elevational view of the front side of the tool handle of FIG. 1;
FIG. 5 is an elevational view of the rear side of the tool handle of FIG. 1;
FIG. 6 is an elevational view of the left side of the tool handle of FIG. 1; and,
FIG. 7 is an elevational view of the right side of the tool handle of FIG. 1.
The broken lines in the drawings illustrate portions of the tool handle and environmental structure of an impact wrench that form no part of the claimed design.

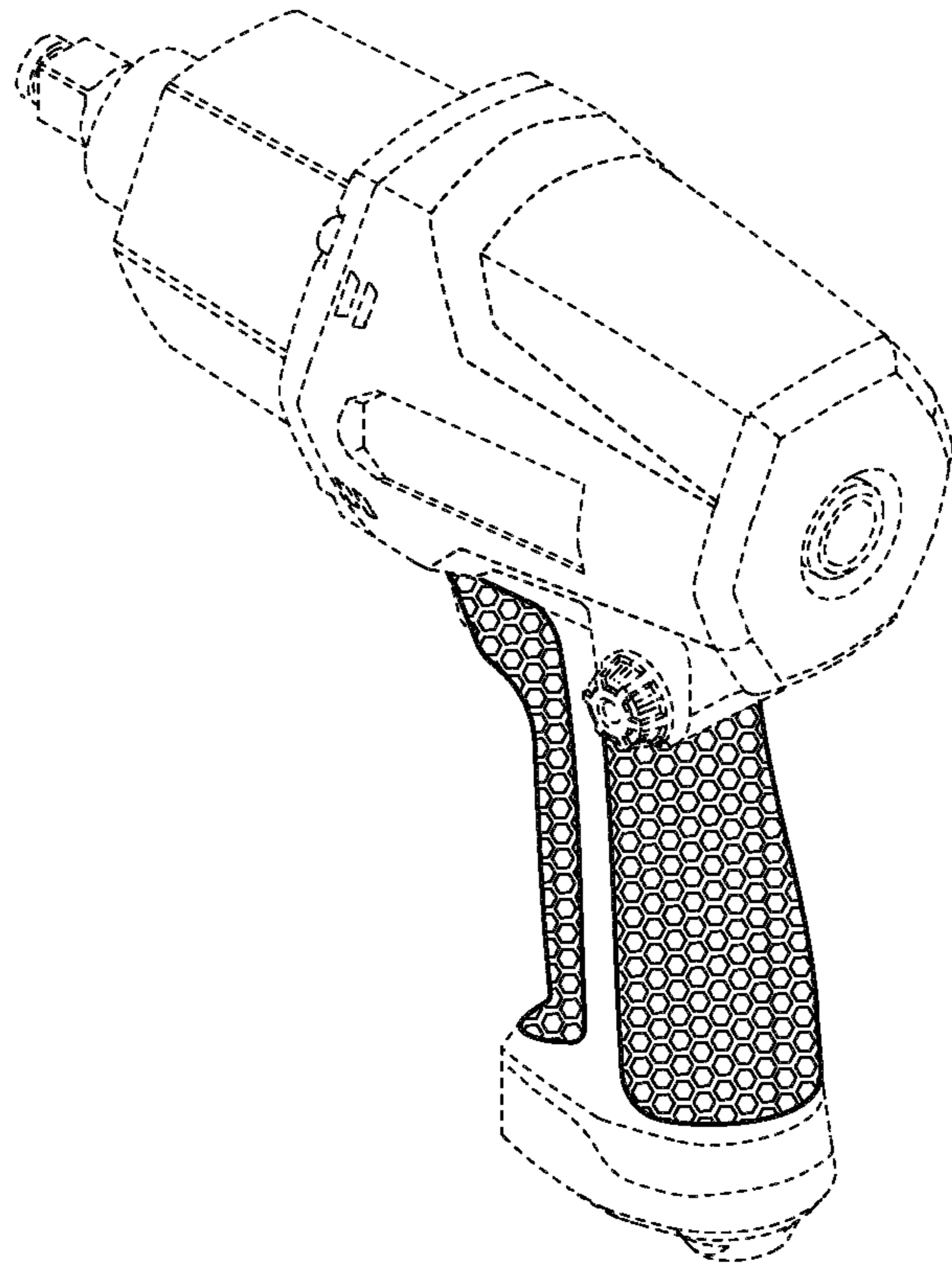


FIG. 1

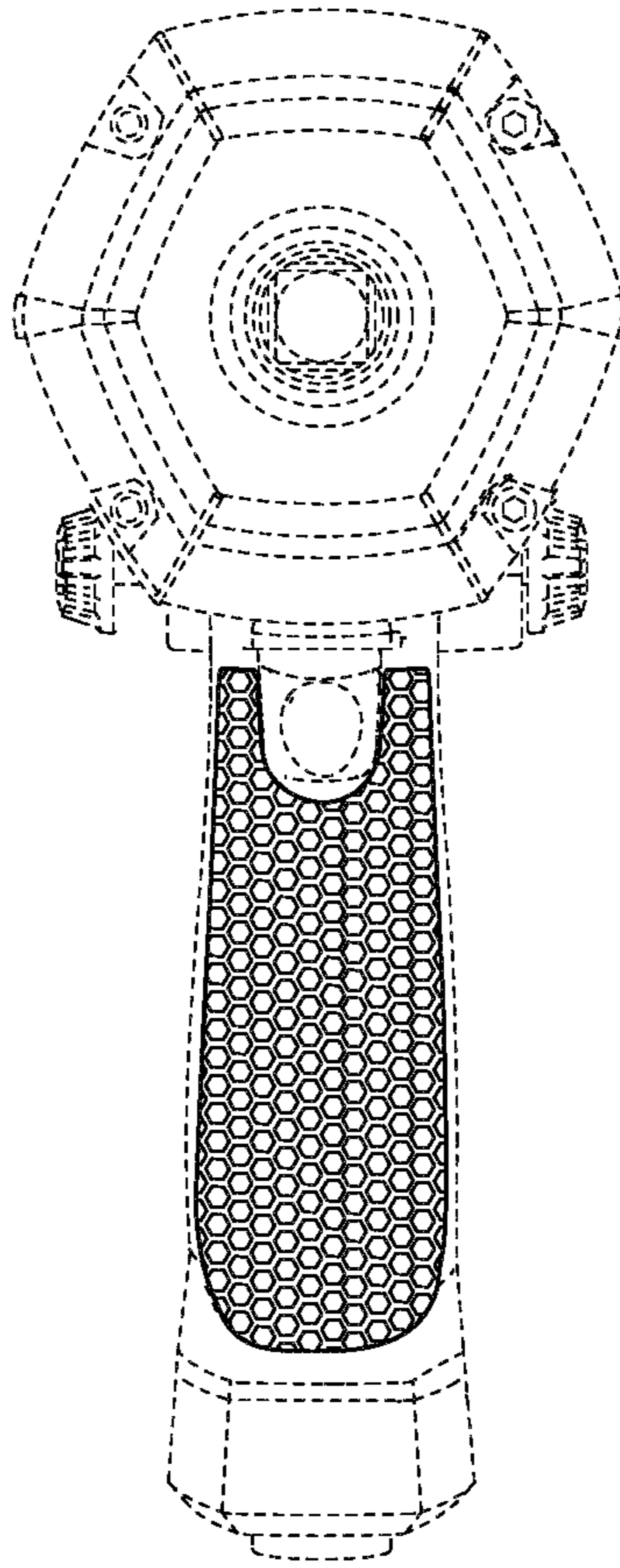


FIG. 2

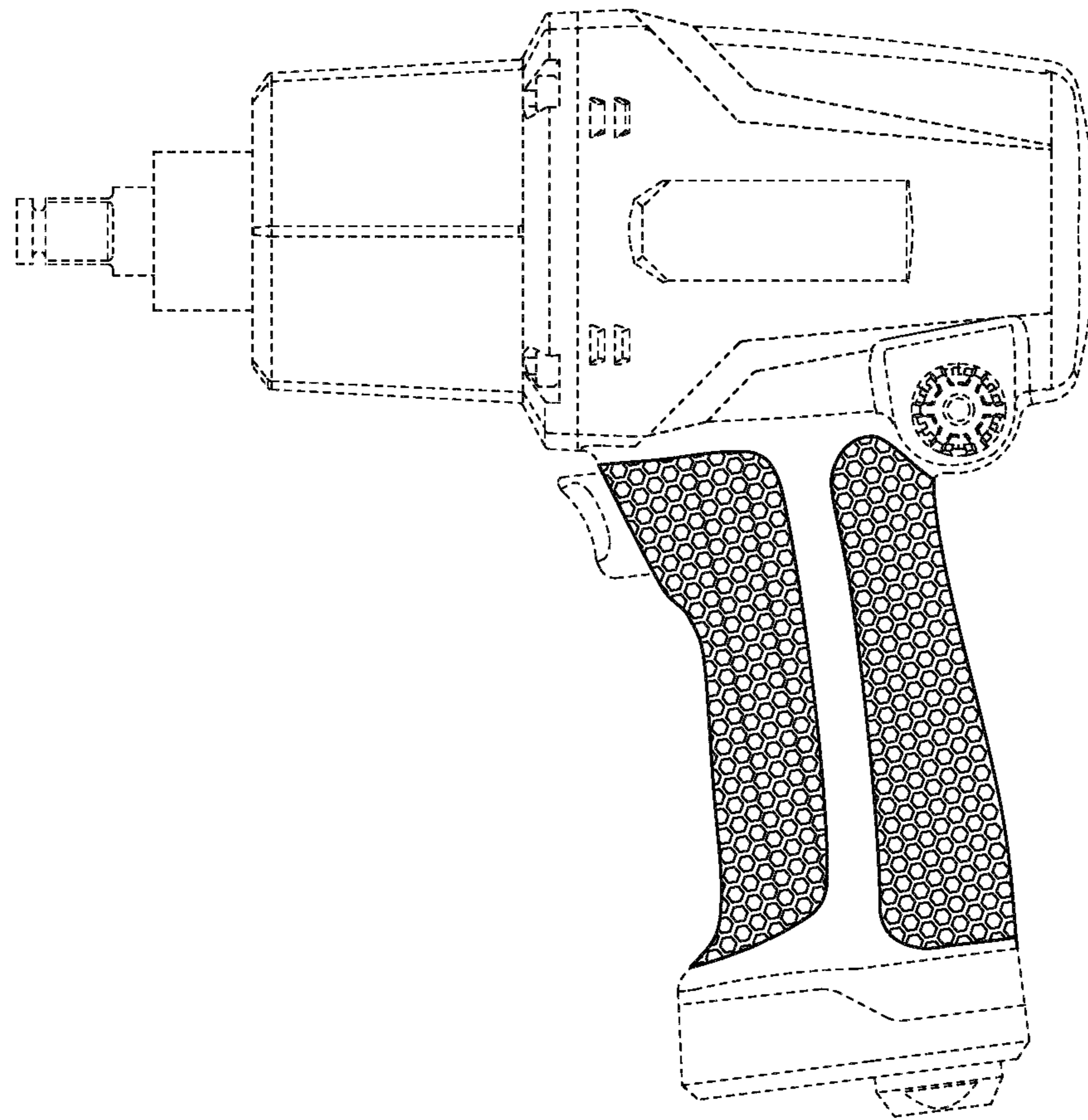


FIG. 3

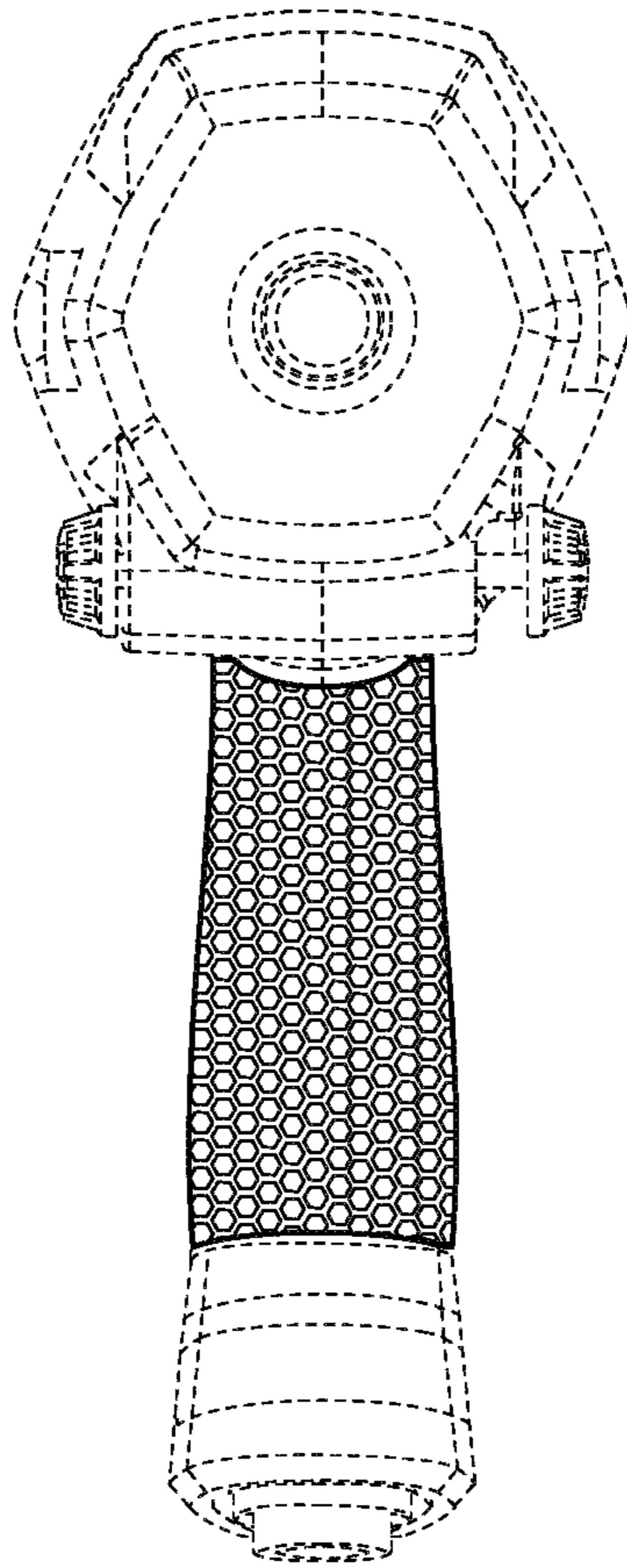


FIG. 4

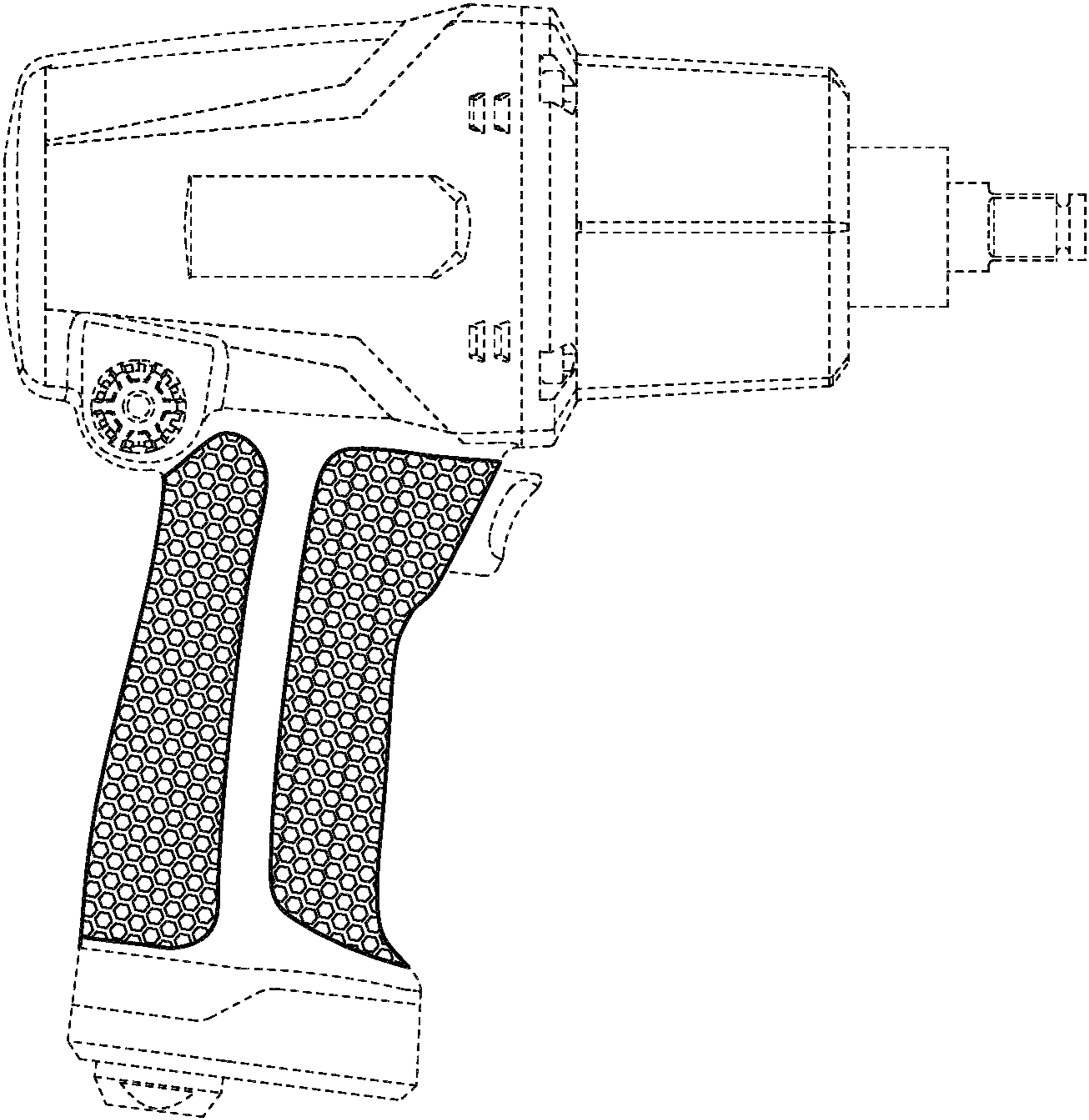


FIG. 5

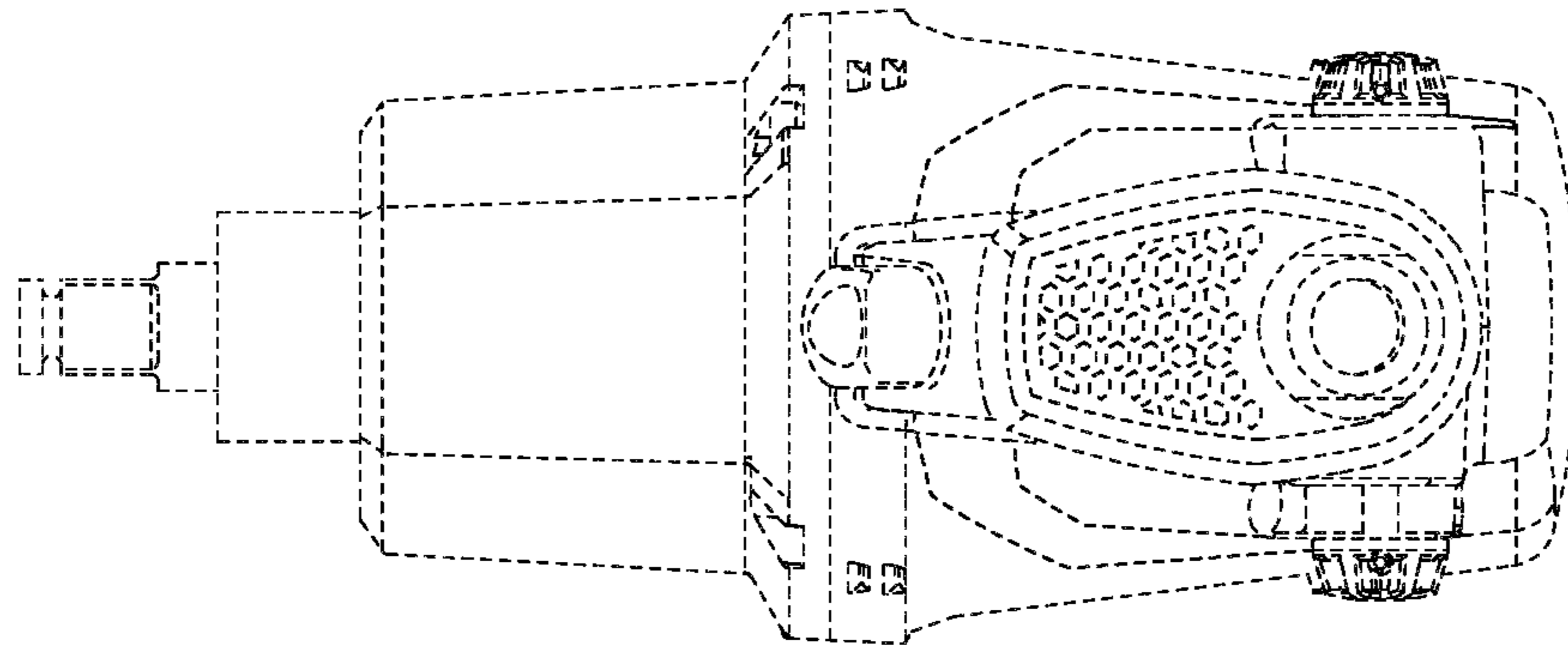


FIG. 6

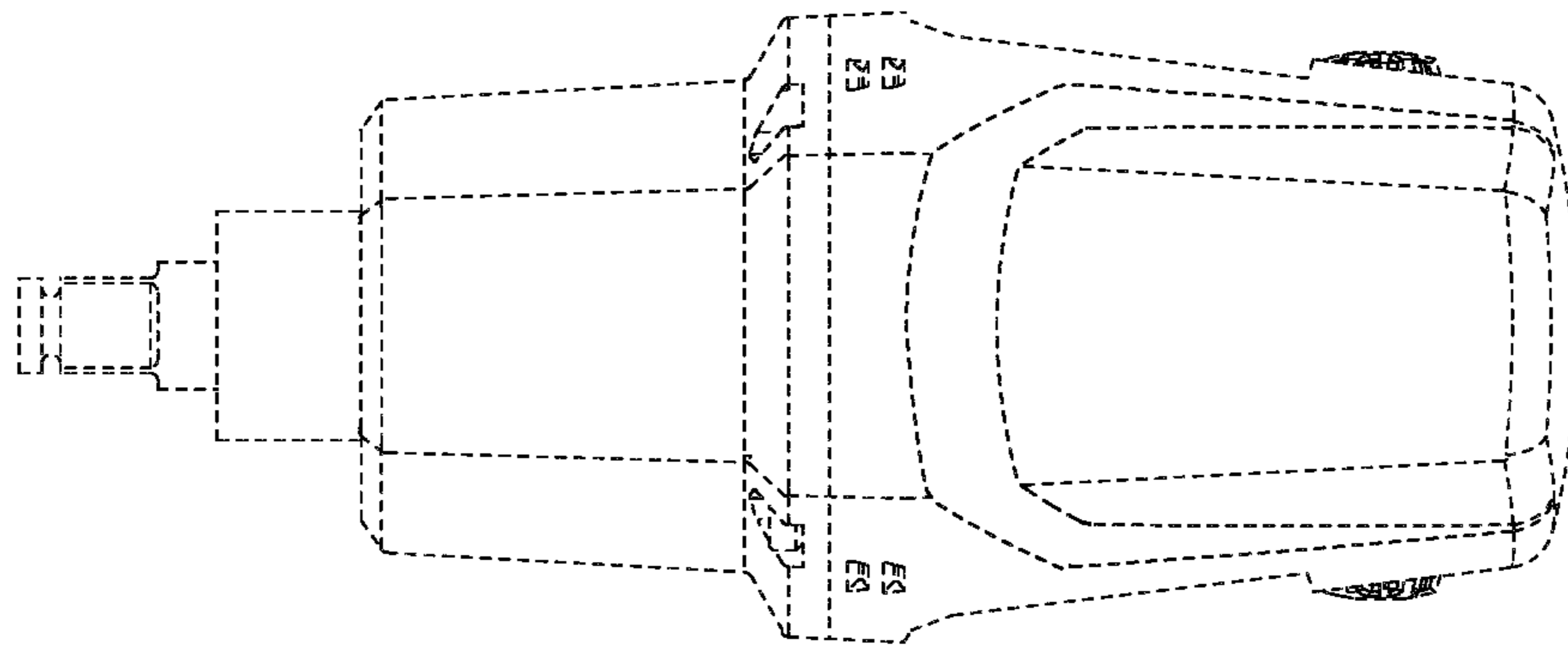


FIG. 7