



US00D967683S

(12) **United States Design Patent**
Yang

(10) **Patent No.:** **US D967,683 S**

(45) **Date of Patent:** **** Oct. 25, 2022**

(54) **DIGITAL DISPLAY SOLDERING IRON**

(71) Applicant: **Dongxian Yang**, Meizhou (CN)

(72) Inventor: **Dongxian Yang**, Meizhou (CN)

(**) Term: **15 Years**

(21) Appl. No.: **29/814,752**

(22) Filed: **Nov. 9, 2021**

(51) **LOC (13) Cl.** **08-05**

(52) **U.S. Cl.**
USPC **D8/30**

(58) **Field of Classification Search**
USPC D8/14, 29.1, 29.2, 30, 51; D15/144
CPC B23K 3/0615; B23K 3/063; B23K 3/06;
B23K 3/046; B23K 3/021; B23K 3/022;
B23K 3/023; B23K 3/033
See application file for complete search history.

(56) **References Cited**

U.S. PATENT DOCUMENTS

- 5,928,536 A * 7/1999 Lee B23K 3/033
219/229
- 6,989,511 B1 * 1/2006 Tsai H01R 13/5833
219/229
- D516,884 S 3/2006 Axinte
- D530,168 S 10/2006 Doi
- D533,416 S 12/2006 Axinte
- D553,925 S 10/2007 Axinte
- D559,055 S 1/2008 Axinte
- D564,319 S 3/2008 Tsai
- D626,809 S 11/2010 Louet-Feisser
- D847,233 S * 4/2019 Gou D15/144
- D847,234 S * 4/2019 Gou D15/144
- D847,235 S * 4/2019 Gou D15/144
- D862,547 S * 10/2019 Xie D8/30
- D865,014 S * 10/2019 Xu D8/30
- D887,801 S 6/2020 Li
- D891,209 S 7/2020 Gou
- D892,579 S * 8/2020 Cheng D8/30
- D897,173 S 9/2020 Ding

- D905,521 S * 12/2020 Ding D8/30
- D918,974 S * 5/2021 Bublitz D8/30
- D935,500 S * 11/2021 Li D8/30
- D937,645 S * 12/2021 Gou B23K 3/026
D8/30
- D951,049 S * 5/2022 Li B23K 3/0369
D8/30
- D951,316 S * 5/2022 Gou B23K 3/033
D15/144.2
- D951,317 S * 5/2022 Li H01R 13/5833
D8/30
- D955,193 S * 6/2022 Xu B23K 3/033
D8/30
- 2006/0108345 A1 * 5/2006 Shigekawa B23K 3/0369
219/229

(Continued)

OTHER PUBLICATIONS

Results from Amazon.com search for soldering irons, Jun. 2022.*

Primary Examiner — Philip S Hyder

(74) *Attorney, Agent, or Firm* — Rumit R. Kanakia

(57) **CLAIM**

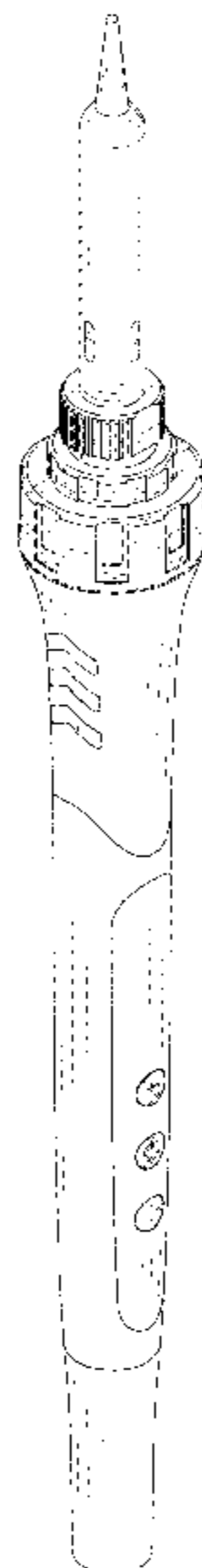
The ornamental design for a digital display soldering iron, as shown and described.

DESCRIPTION

FIG. 1 is a perspective view of a digital display soldering iron showing my new design;
 FIG. 2 is a front elevation view thereof;
 FIG. 3 is a rear elevation view thereof;
 FIG. 4 is a left side elevation view thereof;
 FIG. 5 is a right side elevation view thereof;
 FIG. 6 is a top plan view thereof; and,
 FIG. 7 is a bottom plan view thereof.

The broken lines in the figures are for the purposes of illustrating portions of the digital display soldering iron, which form no part of the claimed design.

1 Claim, 7 Drawing Sheets



(56)

References Cited

U.S. PATENT DOCUMENTS

2013/0105466 A1* 5/2013 Teraoka B23K 3/033
219/538
2019/0240756 A1* 8/2019 Weissenberger B23K 3/026

* cited by examiner

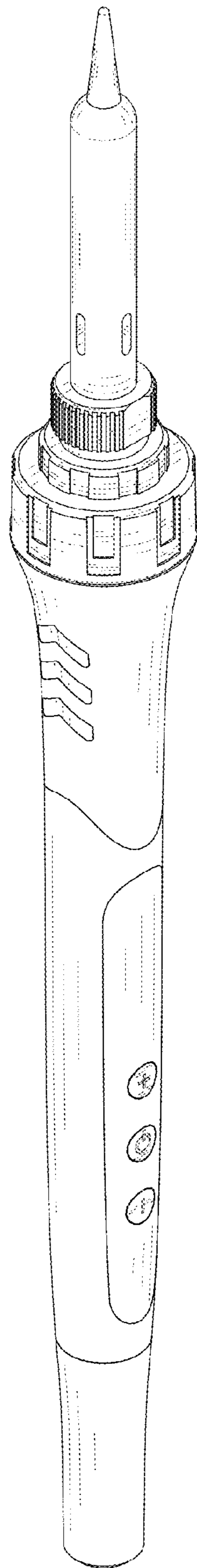


FIG. 1

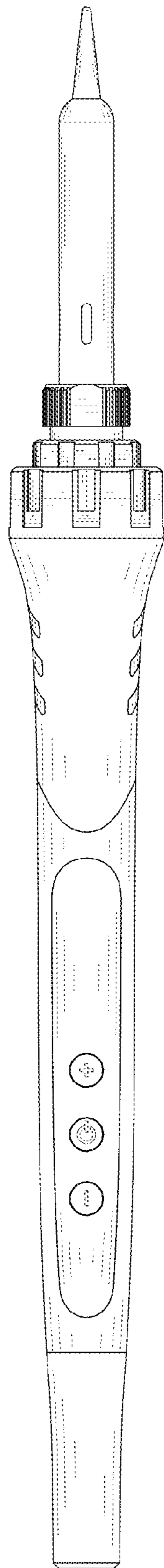


FIG. 2

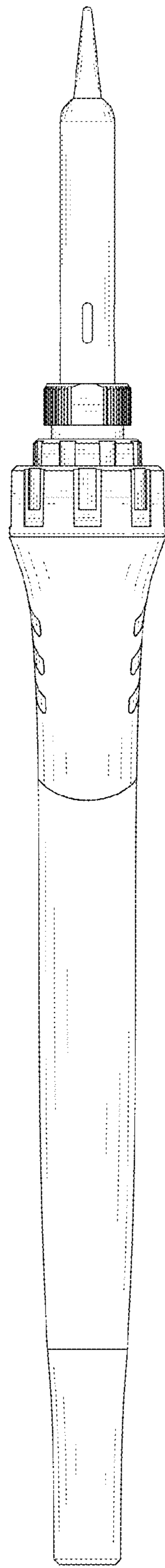


FIG. 3

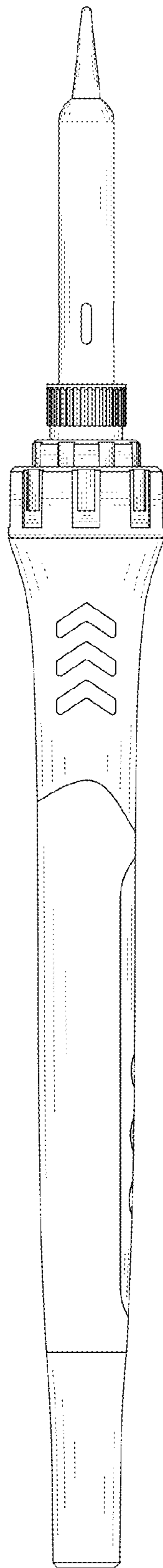


FIG. 4

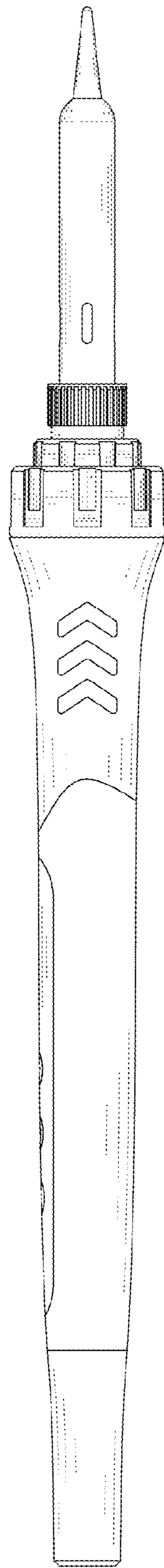


FIG. 5

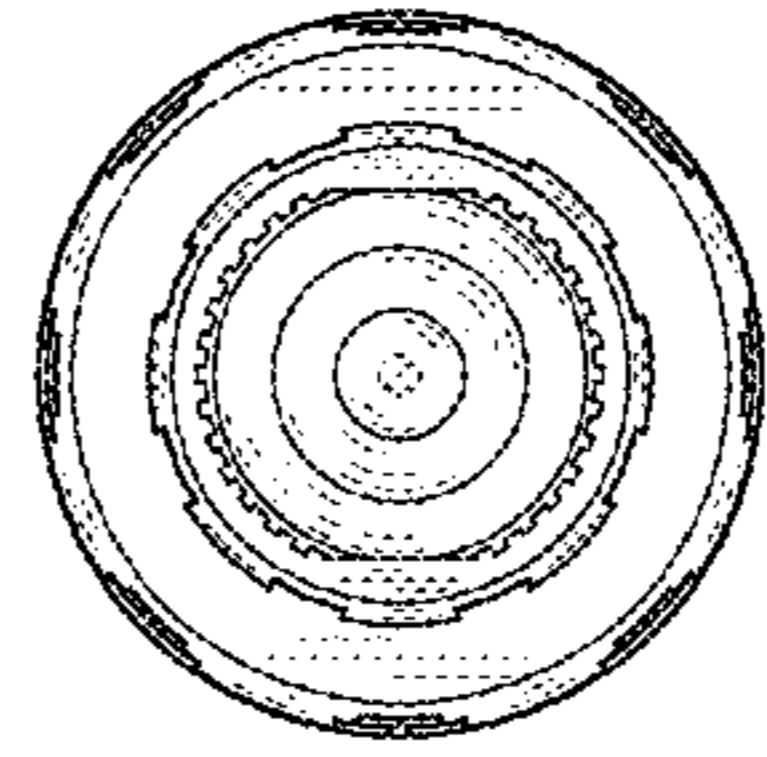


FIG. 6

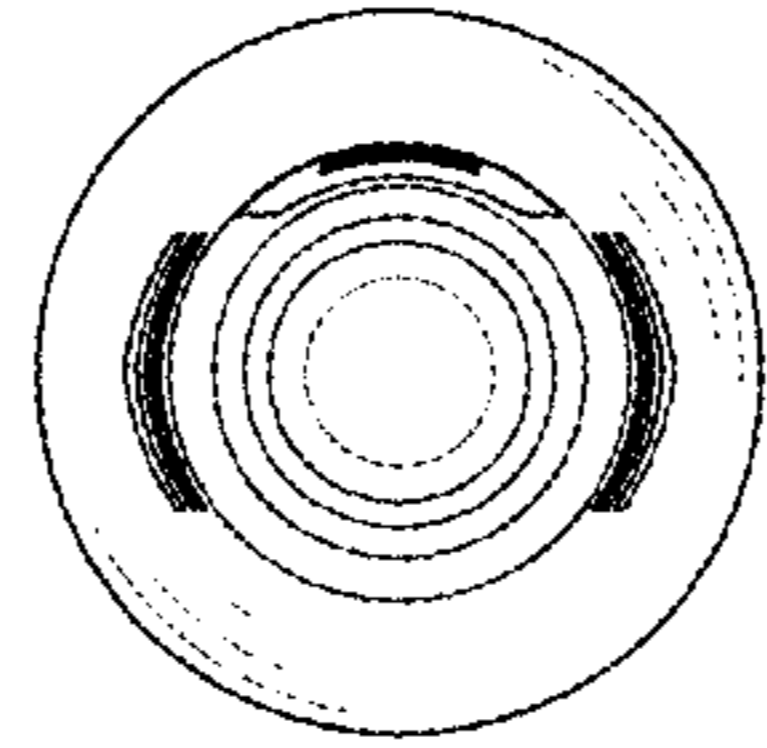


FIG. 7