



US00D967681S

(12) **United States Design Patent**  
**Davis**

(10) **Patent No.:** **US D967,681 S**  
(45) **Date of Patent:** **\*\* Oct. 25, 2022**

- (54) **PIN REMOVAL TOOL**
- (71) Applicant: **Exponential Innovation IP Holdings LLC**, Freehold, NJ (US)
- (72) Inventor: **Von Davis**, Freehold, NJ (US)
- (73) Assignee: **Exponential Innovation IP Holdings LLC**, Freehold, NJ (US)
- (\*\*) Term: **15 Years**
- (21) Appl. No.: **29/763,388**
- (22) Filed: **Dec. 22, 2020**
- (51) **LOC (13) Cl.** ..... **08-05**
- (52) **U.S. Cl.**  
USPC ..... **D8/14; D8/16**
- (58) **Field of Classification Search**  
USPC ..... D8/14, 17, 19, 88, 89  
CPC ..... E05D 11/00; E05D 3/02; B25B 27/04;  
E05Y 2201/244; E05Y 2600/00; E05Y  
2800/692; Y10T 29/5393; Y10T 29/53909  
See application file for complete search history.

- D568,124 S 5/2008 Stevens, Sr.
  - D732,911 S \* 6/2015 Schiele ..... H02G 1/00  
D8/17
  - D741,672 S \* 10/2015 Bryant ..... D8/88
  - 9,427,109 B2 \* 8/2016 Edwins ..... B08B 1/005
  - D869,303 S \* 12/2019 Tiedeken ..... D10/65
  - D880,969 S \* 4/2020 Lenart ..... D8/89
  - D905,364 S \* 12/2020 Zemel ..... D32/46
  - 2014/0237794 A1 \* 8/2014 Gosselin ..... B25B 27/04  
29/275
  - 2017/0014982 A1 \* 1/2017 Rieschi ..... B25B 27/04
- \* cited by examiner

*Primary Examiner* — Philip S Hyder  
(74) *Attorney, Agent, or Firm* — Lerner, David, Littenberg, Krumholz & Mentlik, LLP

(57) **CLAIM**

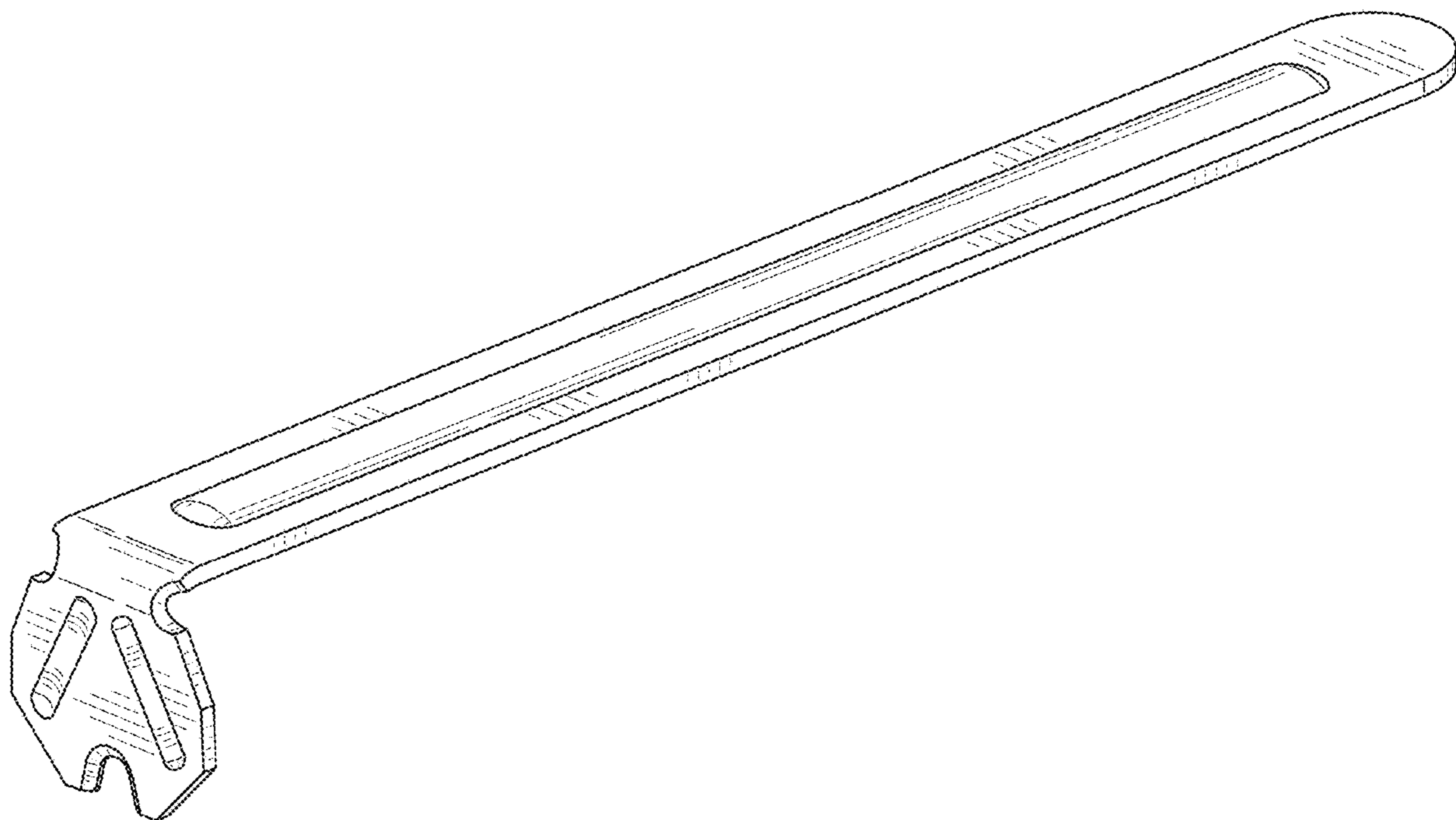
The ornamental design for a pin removal tool, as shown and described.

**DESCRIPTION**

FIG. 1 is a front, top perspective view of a pin removal tool according to my new design;  
FIG. 2 is a front elevation view thereof;  
FIG. 3 is a rear elevation view thereof;  
FIG. 4 is a right side elevation view thereof;  
FIG. 5 is a left side elevation view thereof;  
FIG. 6 is a top plan view thereof;  
FIG. 7 is a bottom plan view thereof; and,  
FIG. 8 is a rear, bottom perspective view thereof.

**1 Claim, 4 Drawing Sheets**

- (56) **References Cited**  
U.S. PATENT DOCUMENTS
- 2,776,108 A 1/1957 Sherman
- D350,270 S \* 9/1994 Jensen ..... D8/89
- 5,695,172 A 12/1997 Hreha
- 5,875,535 A 3/1999 Canoy
- D419,848 S \* 2/2000 Kirby ..... D8/89
- 6,351,881 B1 \* 3/2002 Peckich ..... B25B 27/04  
81/53.2
- 6,901,644 B1 6/2005 Rich



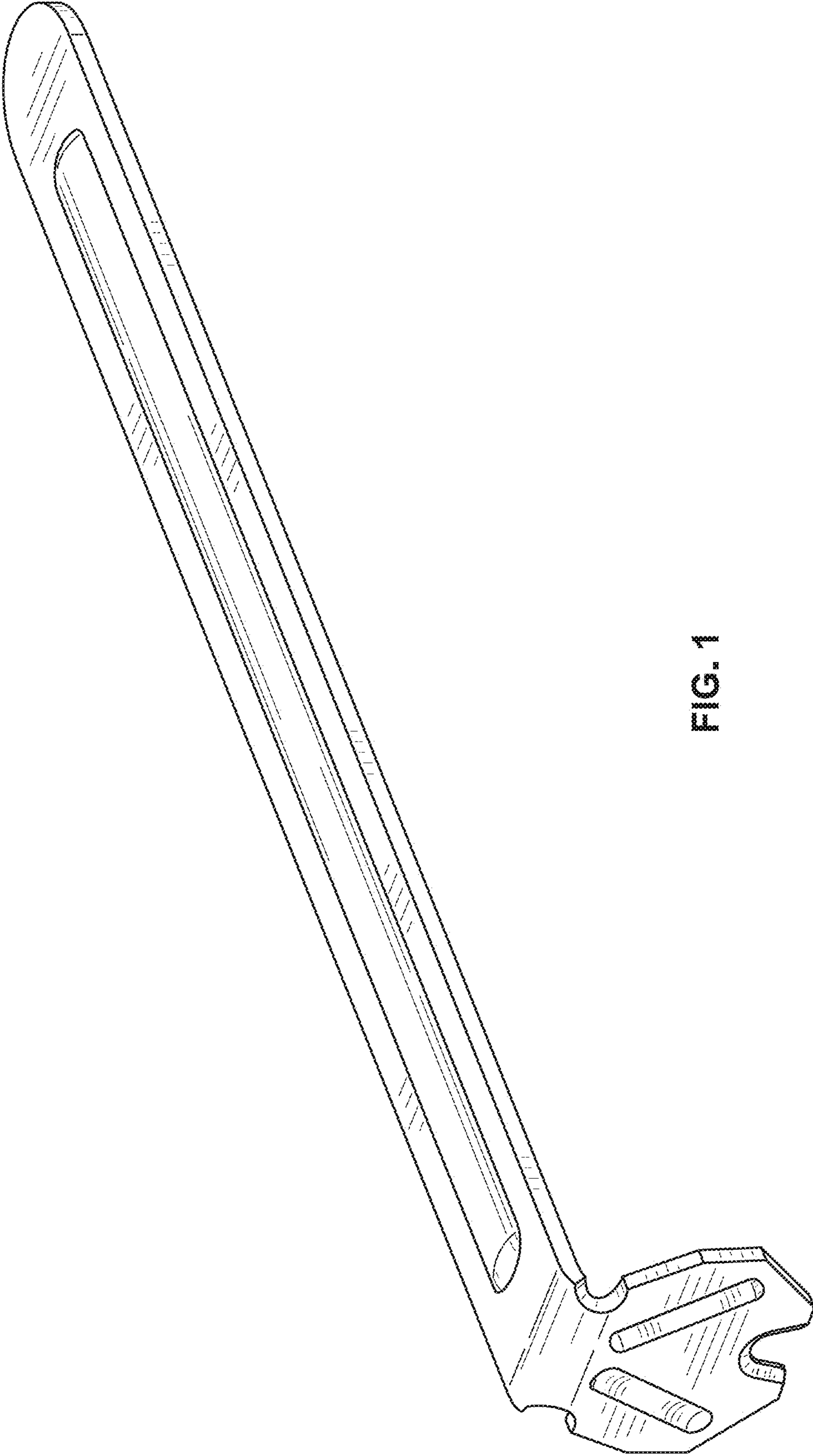


FIG. 1

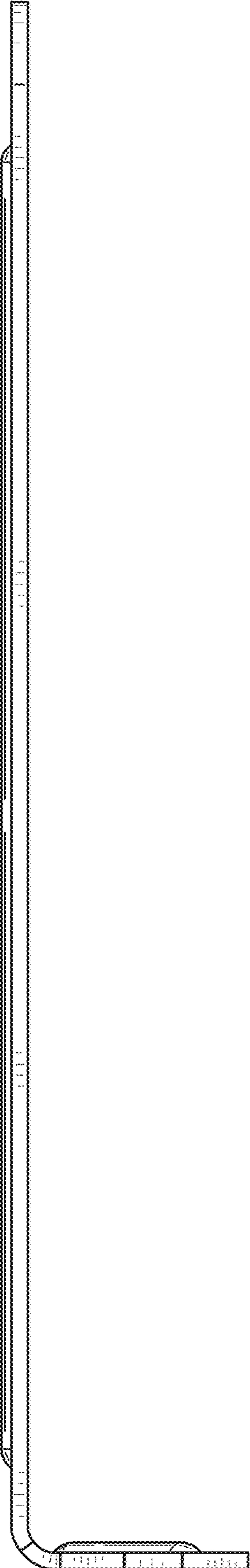


FIG. 2



FIG. 3

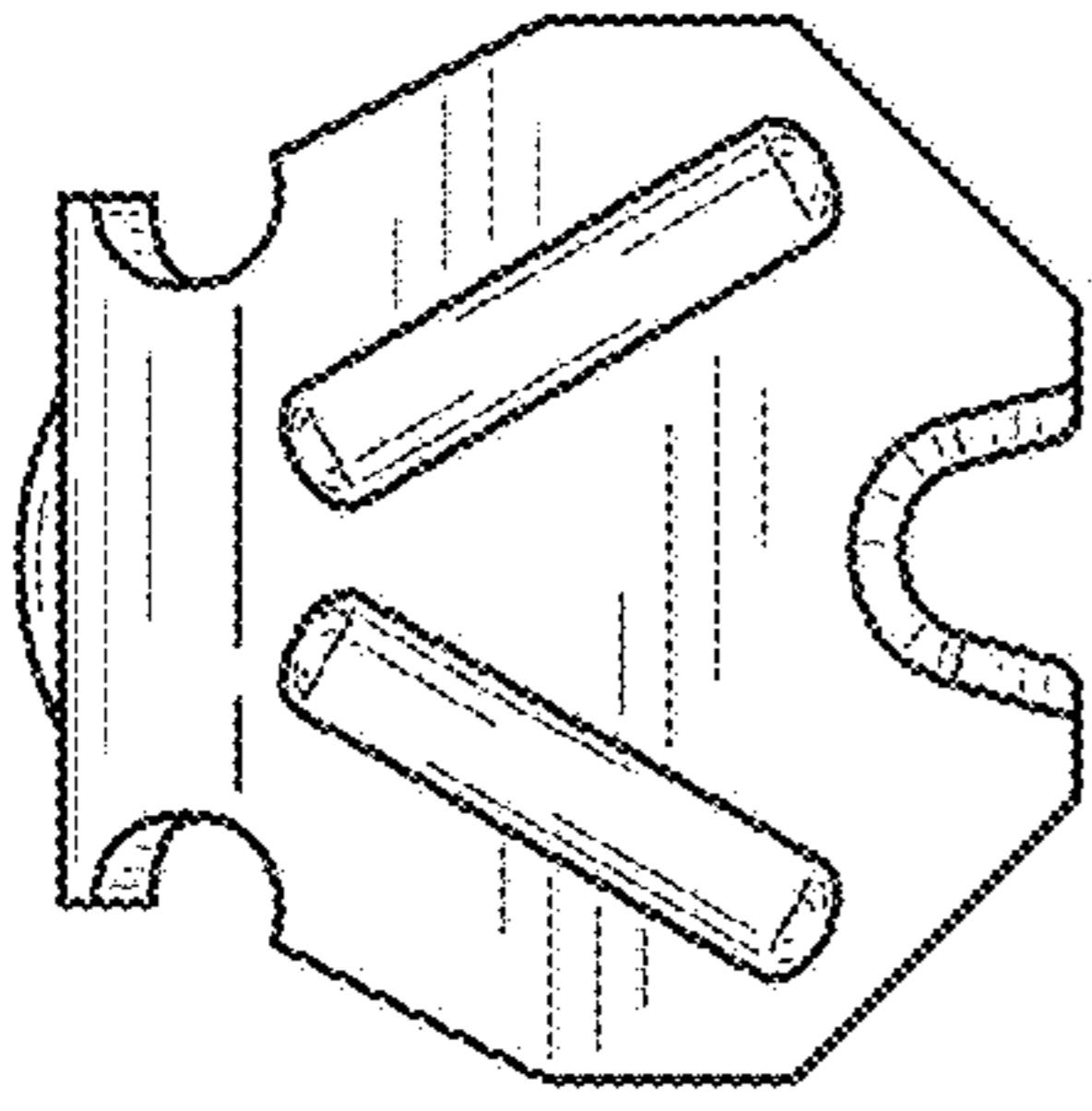


FIG. 5

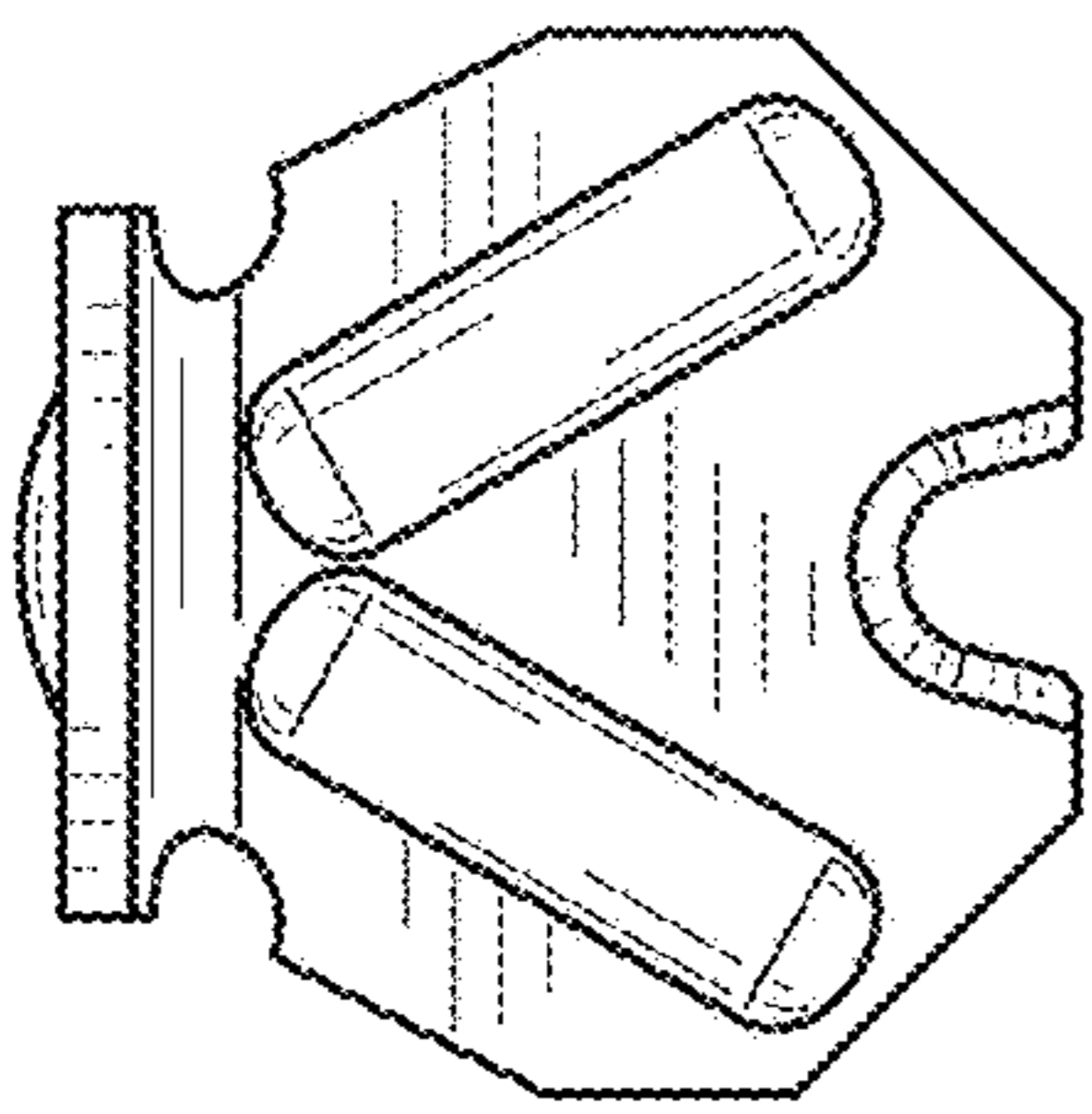


FIG. 4

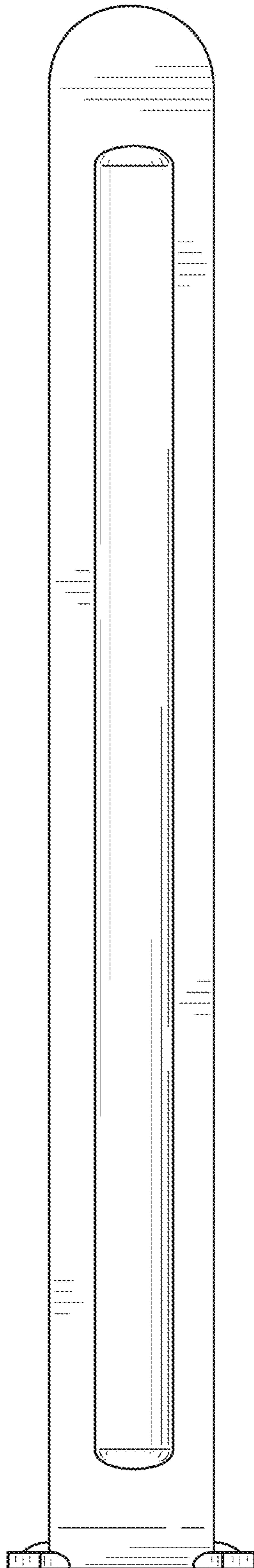


FIG. 6

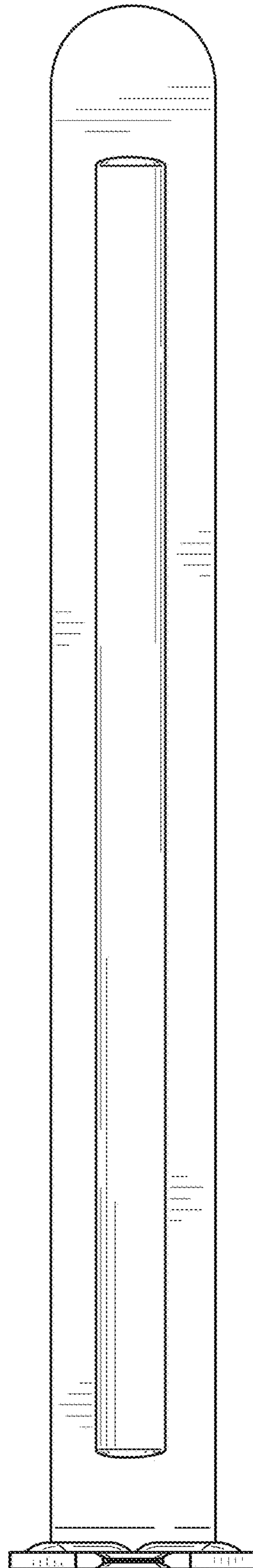


FIG. 7



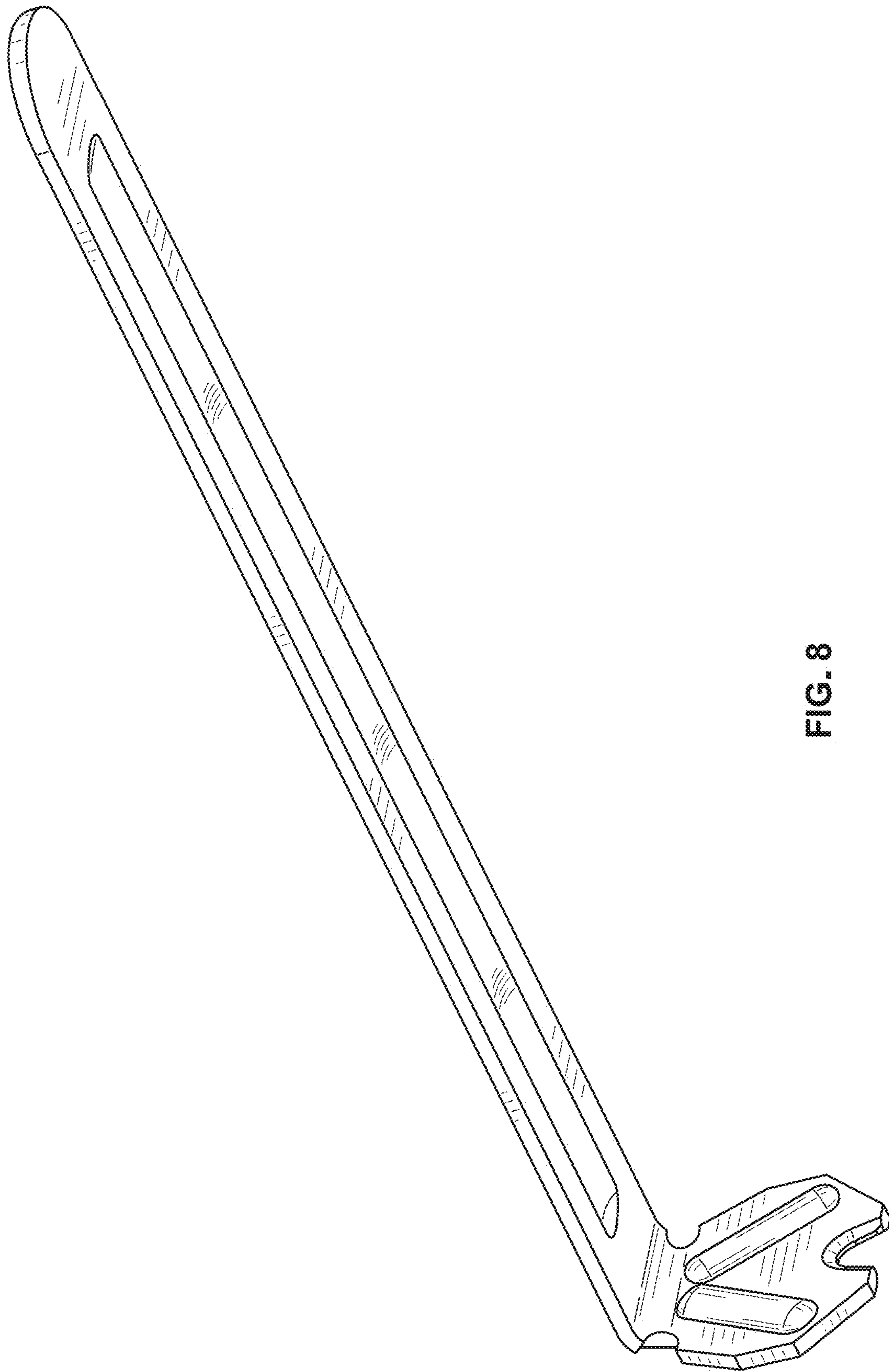


FIG. 8