



US00D967680S

(12) **United States Design Patent**  
**Xu**

(10) **Patent No.:** **US D967,680 S**

(45) **Date of Patent:** **\*\* Oct. 25, 2022**

(54) **CORDLESS GRASS SHEAR**

(71) Applicant: **NINGBO BABYTEC MATERNAL & INFANT TECHNOLOGY CO., LTD.**,  
Zhejiang (CN)

(72) Inventor: **Xueyuan Xu**, Zhejiang (CN)

(73) Assignee: **Ningbo Winbay Technology Co., Ltd.**,  
Zhejiang (CN)

(\*\*) Term: **15 Years**

(21) Appl. No.: **29/801,593**

(22) Filed: **Jul. 29, 2021**

(51) **LOC (13) Cl.** ..... **08-03**

(52) **U.S. Cl.**  
USPC ..... **D8/8**

(58) **Field of Classification Search**  
USPC ..... D8/8; D15/1  
CPC .. A01D 34/412; A01D 34/416; A01D 34/015;  
A01D 34/4161; A01D 34/4165; A01D  
34/4166; A01D 34/4167; A01D 34/84;  
A01D 34/404; A01D 34/408; A01D  
34/08; A01G 3/062  
See application file for complete search history.

(56) **References Cited**

**U.S. PATENT DOCUMENTS**

2,653,381	A *	9/1953	Rooke	.....	A01D 69/02
					30/233
D225,202	S *	11/1972	Bartasevich	.....	D8/8
D291,272	S *	8/1987	Lewis, Jr.	.....	D8/8
D347,774	S *	6/1994	Griffin	.....	D8/8
D353,750	S	11/1994	Abe		
D393,402	S *	4/1998	Kikuchi	.....	D8/8
D526,548	S *	8/2006	Aglassinger	.....	D8/62
D552,948	S *	10/2007	Aglassinger	.....	D8/8
7,398,879	B2 *	7/2008	Nottingham	.....	B65D 75/32
					206/349

D602,317	S *	10/2009	Aglassinger	.....	D8/8
D620,772	S *	8/2010	Crawley	.....	D8/9
D891,885	S	8/2020	Gear		

(Continued)

**FOREIGN PATENT DOCUMENTS**

CN	303028597	*	12/2014
CN	306644207	*	6/2021
EM	000825765-0001	*	12/2007

(Continued)

**OTHER PUBLICATIONS**

SnapFresh Cordless Grass Shears, Video uploaded on Jul. 26, 2021 via YouTube, Video retrieved on May 4, 2022 via YouTube, <<https://www.youtube.com/watch?v=kVLHUpxmaJM>>.\*

*Primary Examiner* — Sheryl Lane  
*Assistant Examiner* — Ieisha N Price  
(74) *Attorney, Agent, or Firm* — ScienBiziP, P.C.

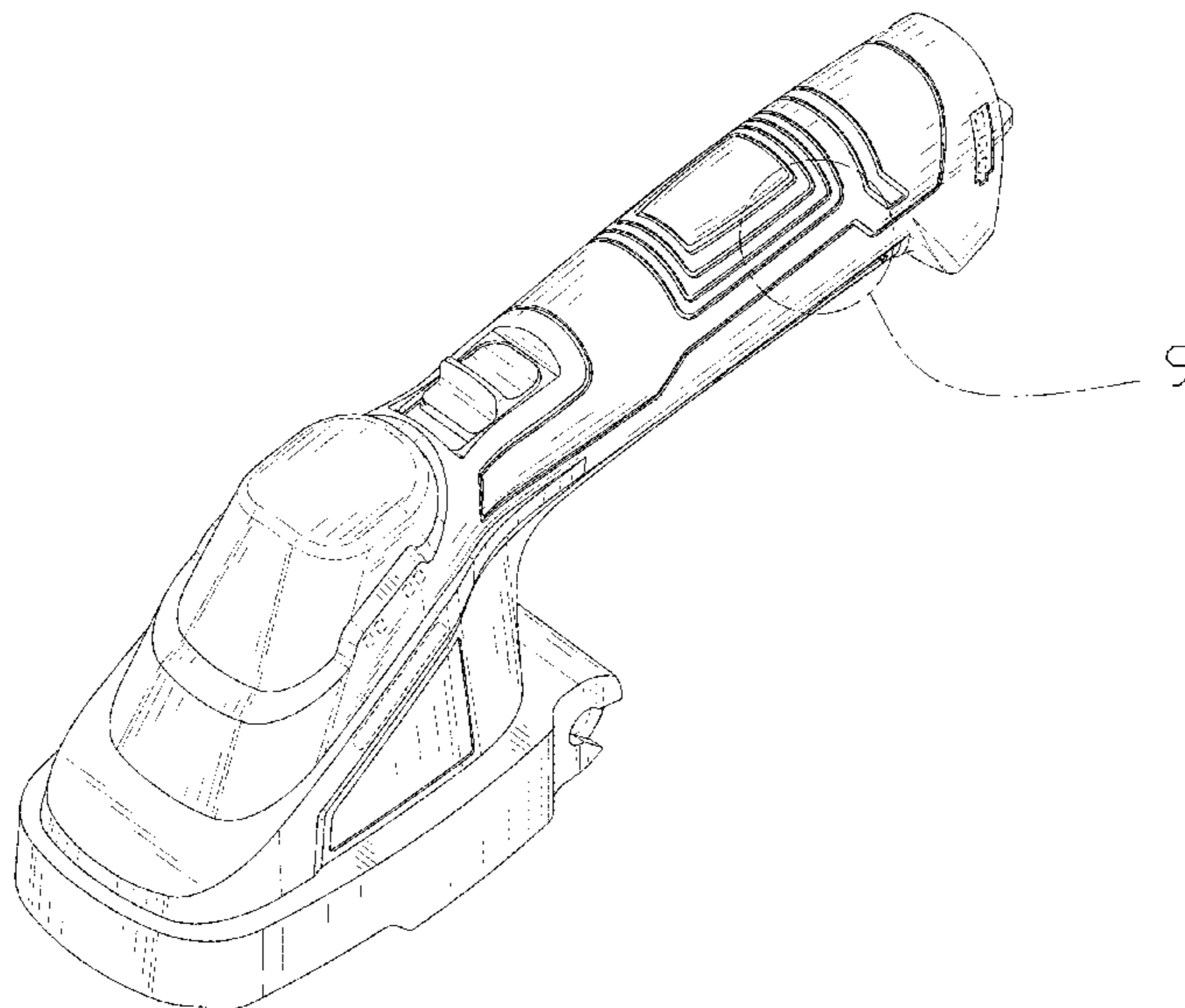
(57) **CLAIM**

The ornamental design for a cordless grass shear, as shown and described.

**DESCRIPTION**

FIG. 1 is a front, right, and top perspective view of a cordless grass shear, showing my design.  
FIG. 2 is a rear, left, and bottom perspective view thereof.  
FIG. 3 is a front elevation view thereof.  
FIG. 4 is a rear elevation view thereof.  
FIG. 5 is a left side elevation view thereof.  
FIG. 6 is a right side elevation view thereof.  
FIG. 7 is a top plan view thereof.  
FIG. 8 is a bottom plan view thereof; and,  
FIG. 9 is an enlarged view of the cordless grass shear taken from indication circle 9 of FIG. 1.  
The broken lines shown in the drawings are included for the purpose of illustrating portions of the cordless grass shear that form no part of the claimed design.

**1 Claim, 9 Drawing Sheets**



(56)

**References Cited**

U.S. PATENT DOCUMENTS

D917,247 S \* 4/2021 Tinius ..... D8/8  
2006/0075641 A1\* 4/2006 Nottingham ..... A01G 3/067  
30/100

FOREIGN PATENT DOCUMENTS

EM 000862503-0001 \* 2/2008  
EM 000878426-0013 \* 3/2008  
EM 000907241-0001 \* 5/2008  
EM 005942018-0003 \* 7/2021  
EM 005942018-0004 \* 7/2021

\* cited by examiner

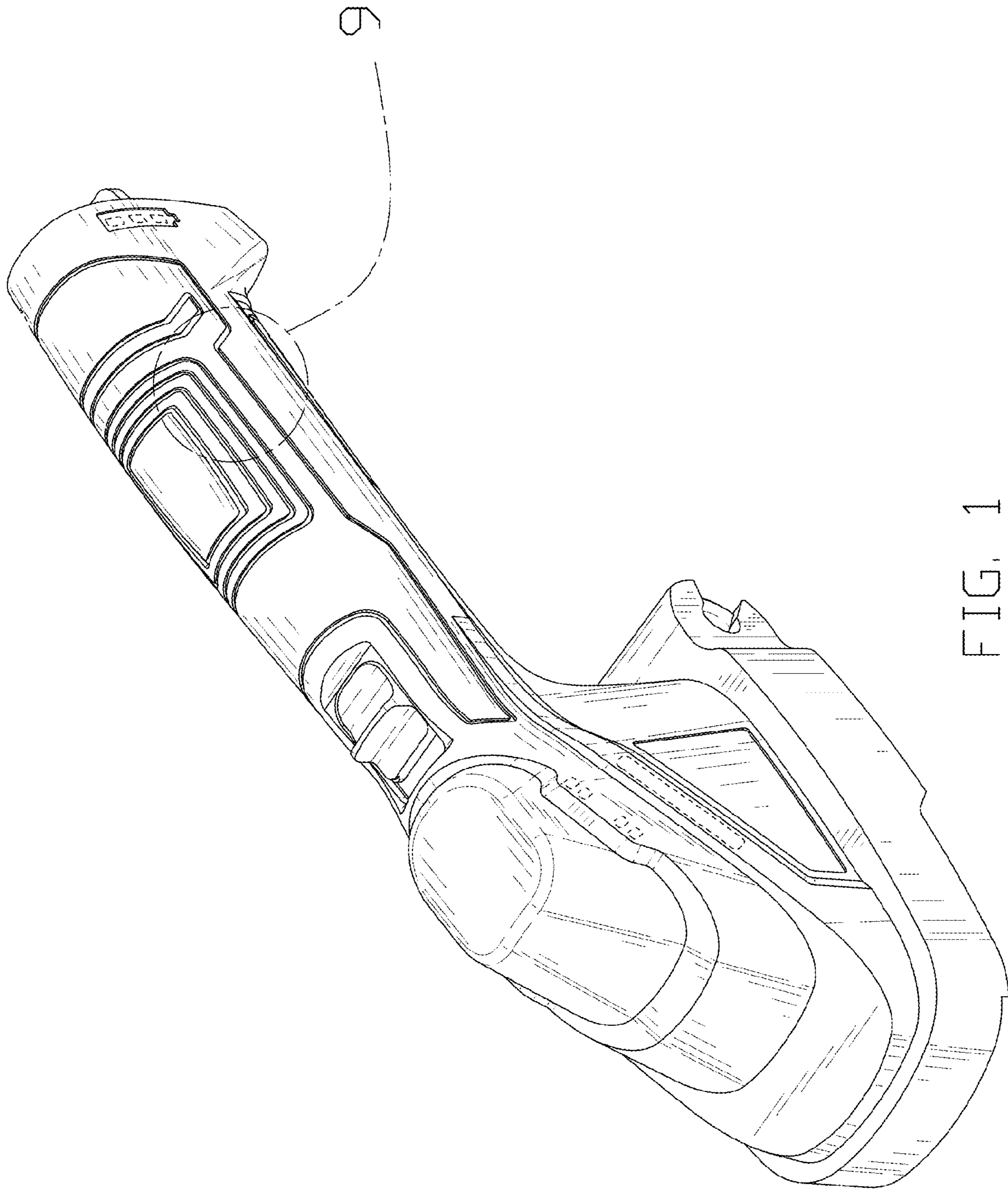


FIG. 1

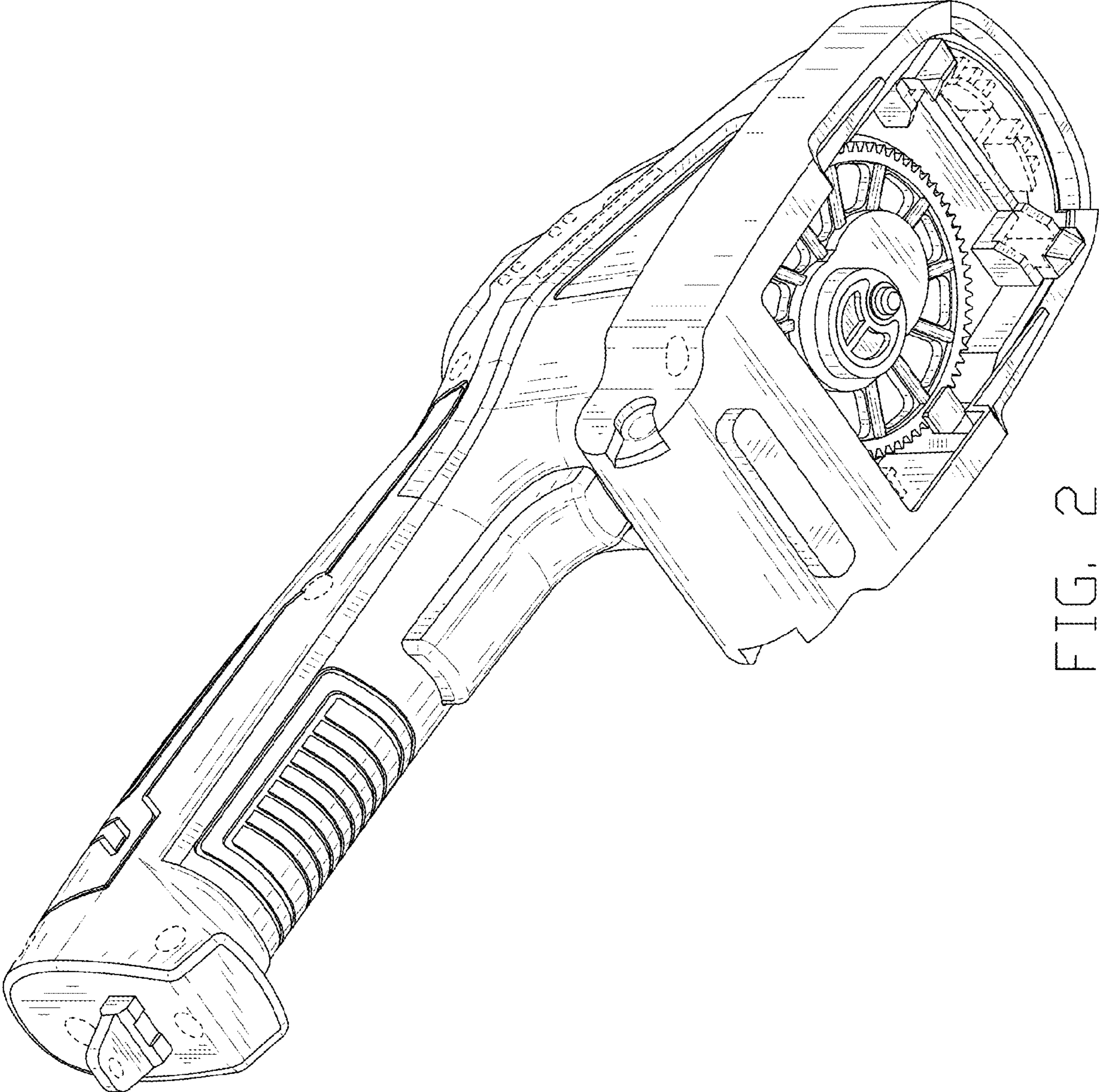


FIG. 2

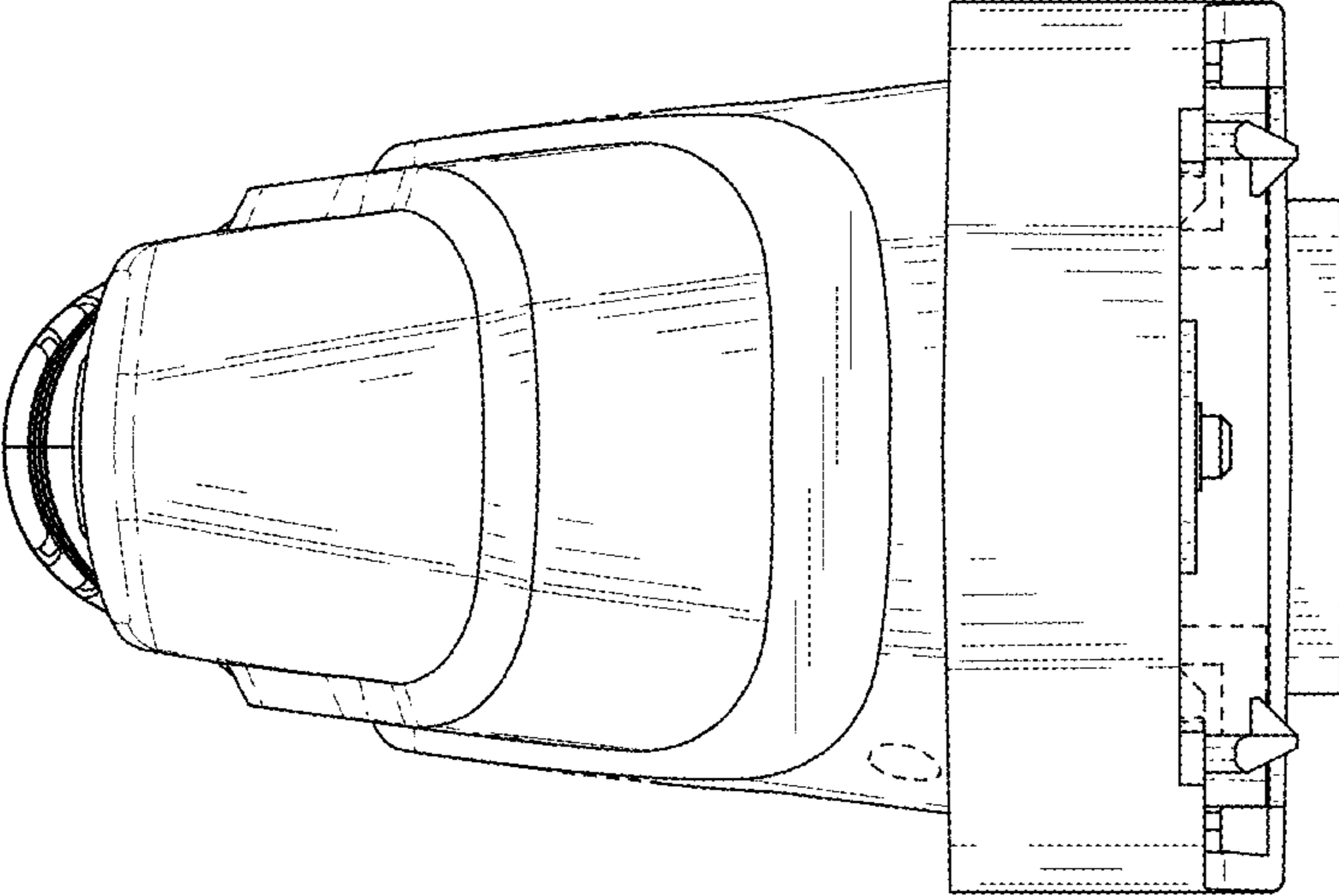


FIG. 3

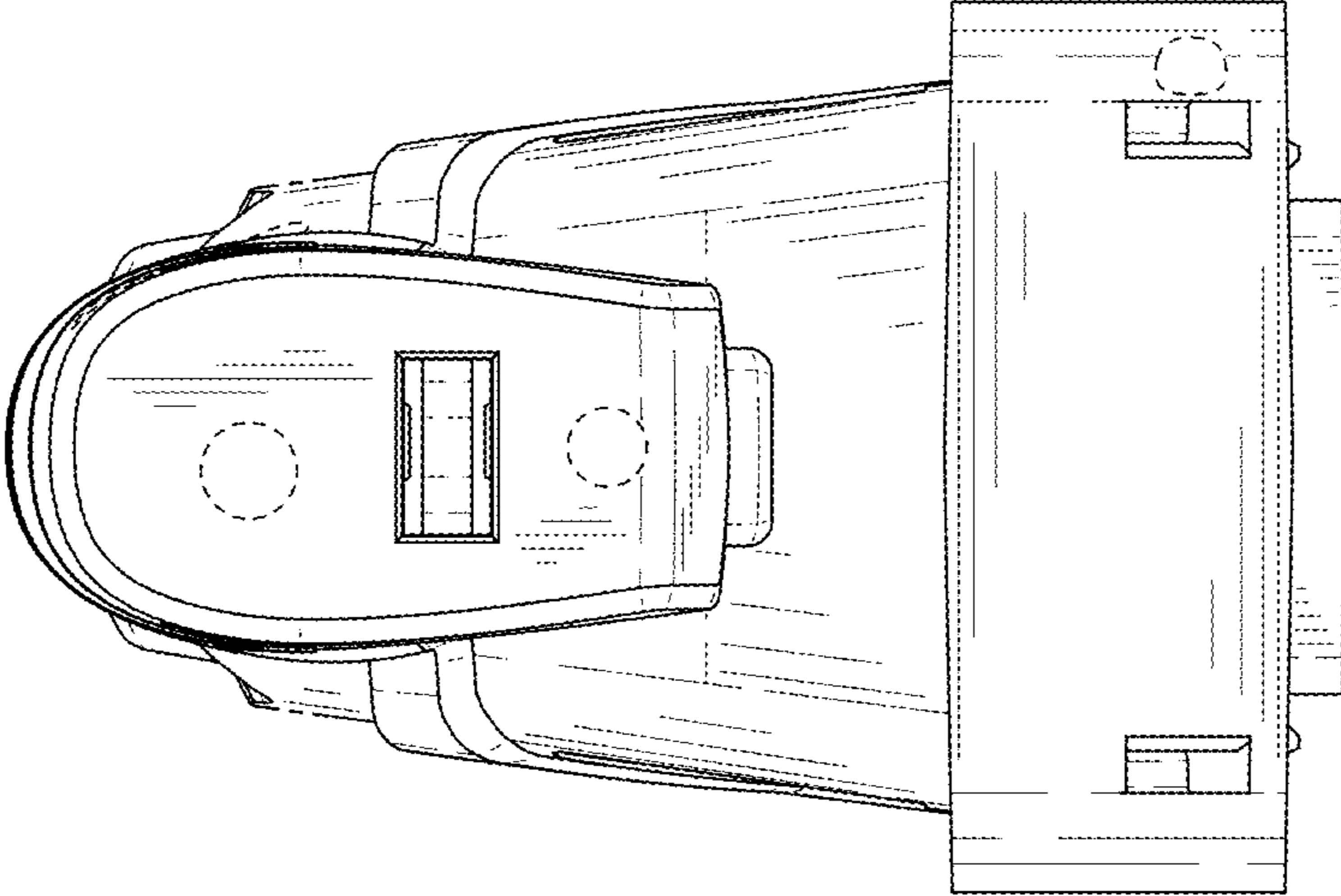


FIG. 4

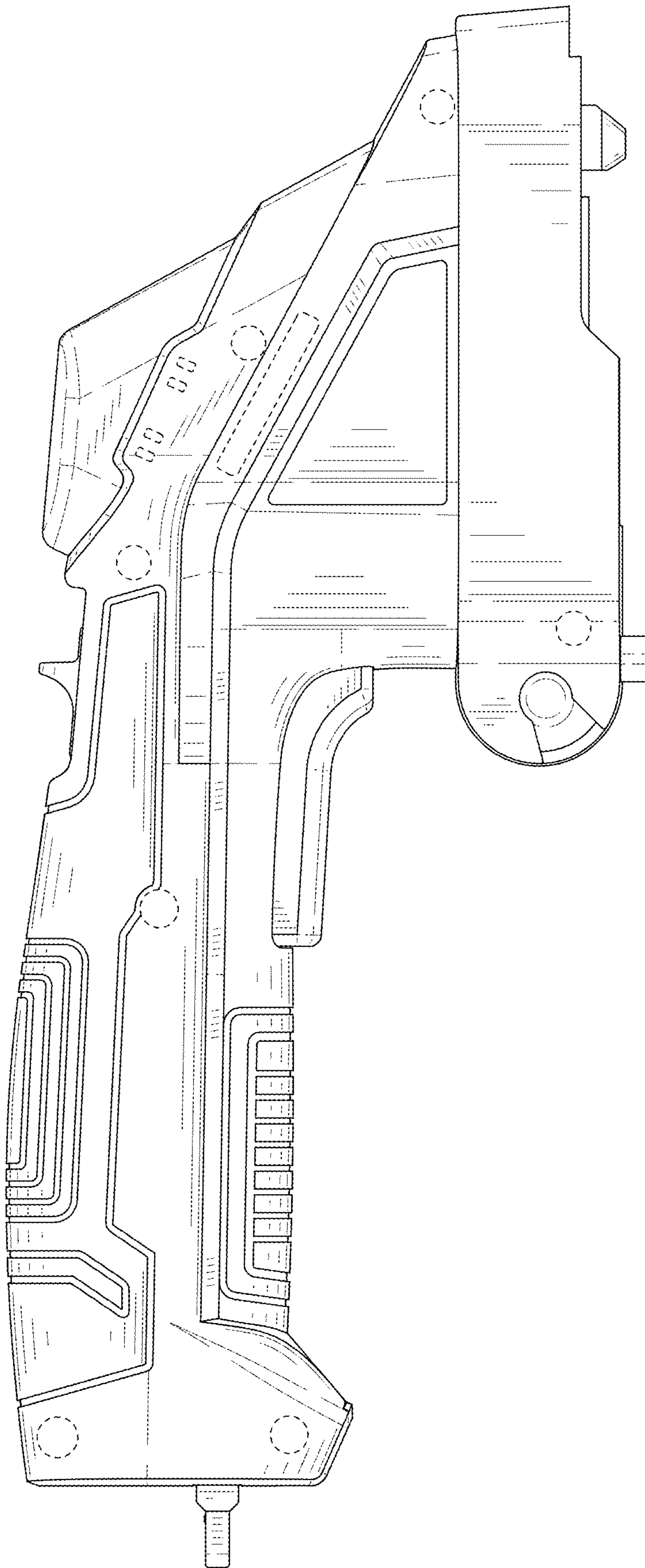


FIG. 5

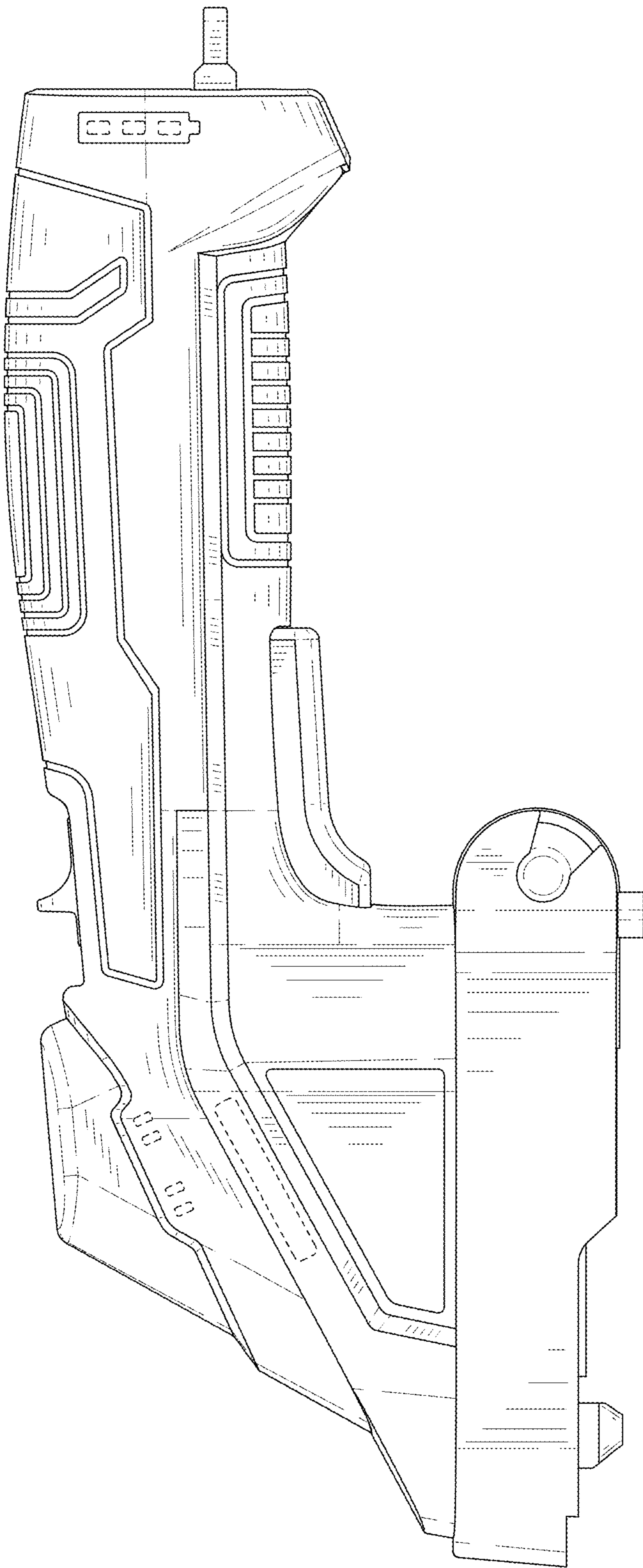


FIG. 6



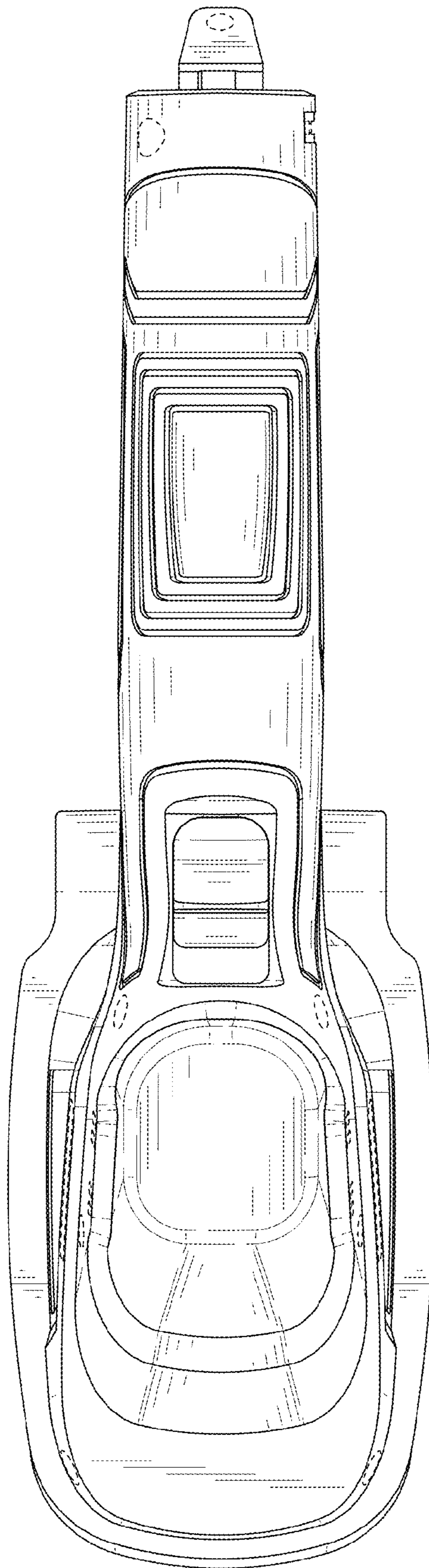


FIG. 7

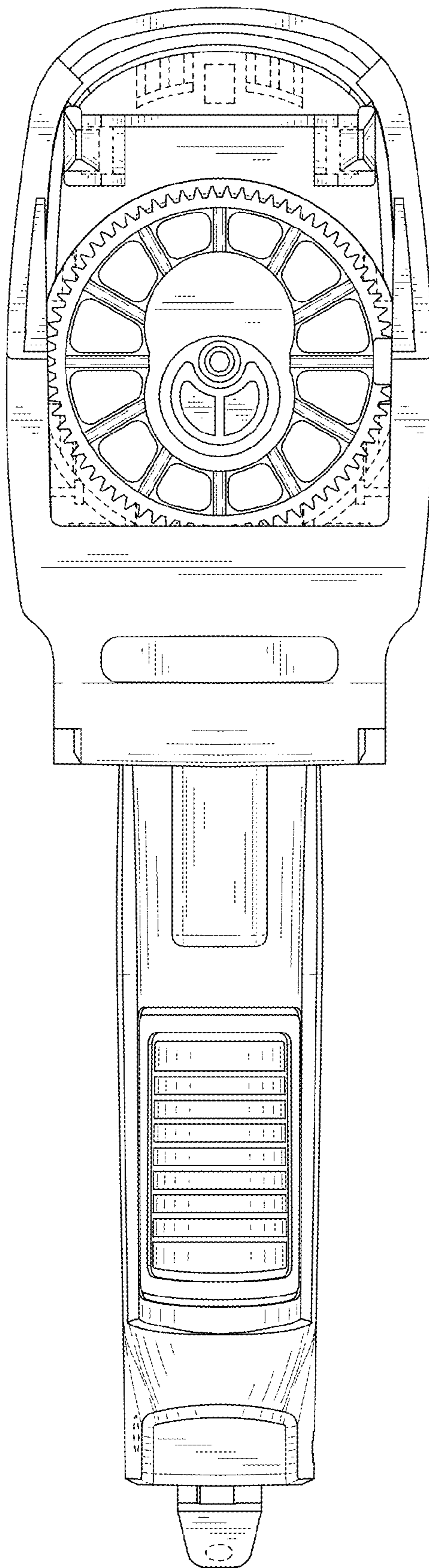


FIG. 8

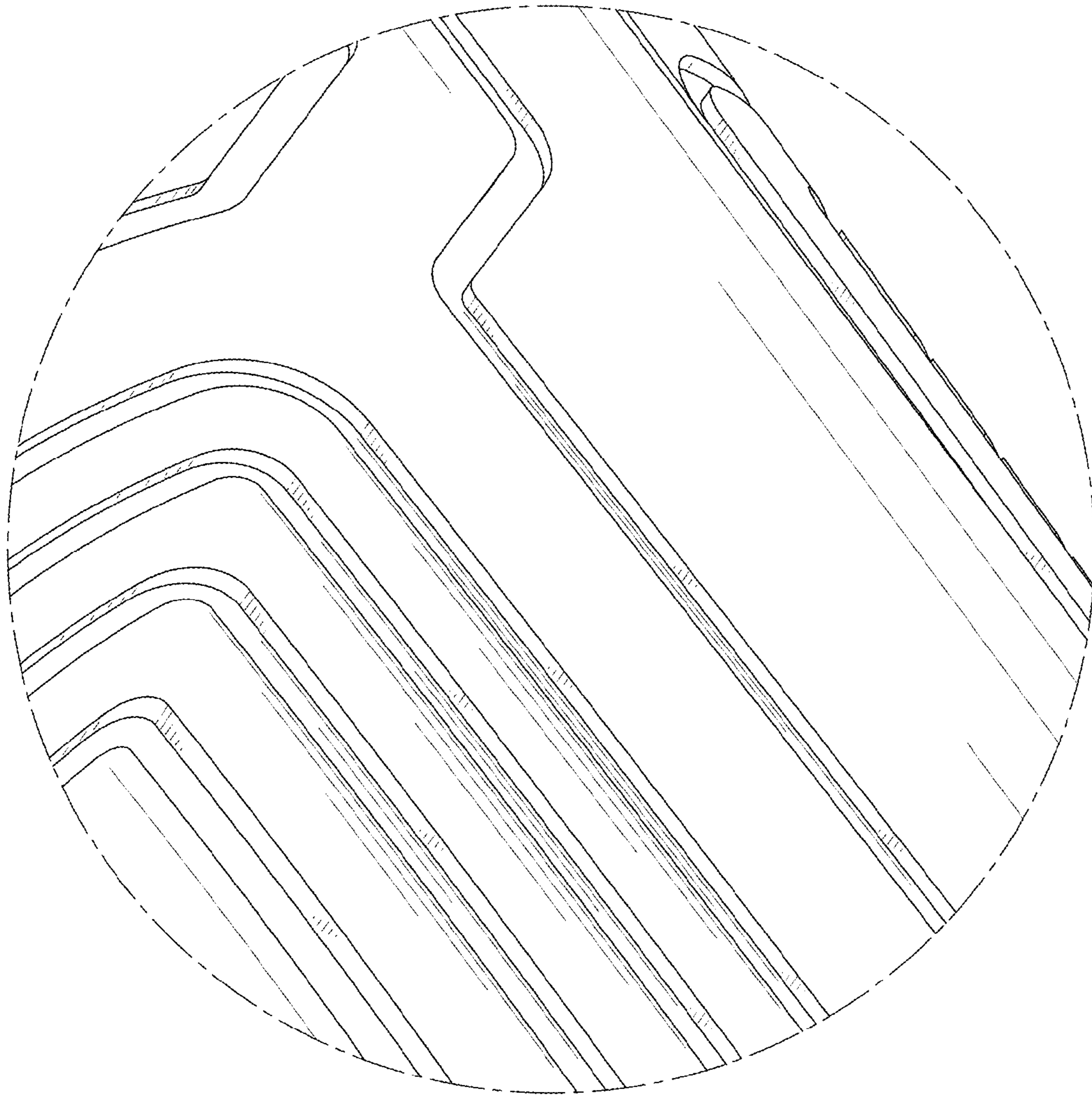


FIG. 9