



US00D967679S

(12) **United States Design Patent**  
**Peng**

(10) **Patent No.:** **US D967,679 S**  
(45) **Date of Patent:** **\*\* Oct. 25, 2022**

(54) **LAWN CORING AERATOR**

(71) Applicant: **Li Peng**, Suzhou (CN)

(72) Inventor: **Li Peng**, Suzhou (CN)

(\*\*) Term: **15 Years**

(21) Appl. No.: **29/800,911**

(22) Filed: **Jul. 24, 2021**

(51) **LOC (13) Cl.** ..... **08-03**

(52) **U.S. Cl.**  
USPC ..... **D8/7**

(58) **Field of Classification Search**  
USPC ..... D8/1, 7, 11, 13  
CPC ..... A01B 1/24; A01B 1/243; A01B 1/246;  
E21B 25/005

See application file for complete search history.

(56) **References Cited**

**U.S. PATENT DOCUMENTS**

- 357,544 A \* 2/1887 Albright ..... E21B 11/005  
175/413
- D32,852 S \* 6/1900 Mann ..... D8/7
- 1,583,329 A \* 5/1926 Wiss ..... A01B 1/24  
172/553
- 1,893,258 A \* 1/1933 Washburn ..... A01B 1/243  
111/99
- 2,140,266 A \* 12/1938 Leeberg ..... A01B 1/243  
30/301
- 2,210,440 A \* 8/1940 Avary ..... A01B 1/165  
D8/7
- 2,910,127 A \* 10/1959 Saunders ..... A01B 1/243  
172/370
- 3,011,563 A \* 12/1961 Ceretti ..... E21B 25/005  
294/50.7
- 3,621,920 A \* 11/1971 Brown ..... A01B 1/243  
172/75
- D233,006 S \* 10/1974 Osborn ..... D21/759
- D251,698 S \* 5/1979 Bartholomew, Jr. .... D8/7
- D251,768 S \* 5/1979 Dellinger ..... D8/7
- D258,112 S \* 2/1981 Klapp ..... D8/7
- D258,940 S \* 4/1981 Zelinski ..... D10/46
- 4,633,957 A \* 1/1987 Prost ..... A01B 1/24  
251/297
- D309,242 S \* 7/1990 Laslo ..... D8/1

- D365,504 S \* 12/1995 Hawkins ..... D8/7
- D368,211 S \* 3/1996 Skold ..... D8/1
- D371,493 S \* 7/1996 Beaulieu ..... D8/7

(Continued)

**FOREIGN PATENT DOCUMENTS**

- CN 307334848 \* 5/2022
- GB 2077729 \* 12/1998

(Continued)

**OTHER PUBLICATIONS**

Yard Butler Lawn Aerator, Image upload date: Unknown, Image retrieved on: Jun. 4, 2022 (online), <[https://www.acehardware.com/departments/lawn-and-garden/gardening-tools/lawn-aerators/70491?store=15122&gclid=Cj0KCQjwnNyUBhCZARIsAI9AYIG-b9YNIH5UmTPDYLzabpuyklopPjPEIF2D1pd4MgZ9TXAi5AUYe6AaAIM5EALw\\_wcB&gclsrc=aw.ds](https://www.acehardware.com/departments/lawn-and-garden/gardening-tools/lawn-aerators/70491?store=15122&gclid=Cj0KCQjwnNyUBhCZARIsAI9AYIG-b9YNIH5UmTPDYLzabpuyklopPjPEIF2D1pd4MgZ9TXAi5AUYe6AaAIM5EALw_wcB&gclsrc=aw.ds)>.\*

*Primary Examiner* — Sheryl Lane

*Assistant Examiner* — Ieisha N Price

(74) *Attorney, Agent, or Firm* — Che-Yang Chen; Law Office of Michael Chen

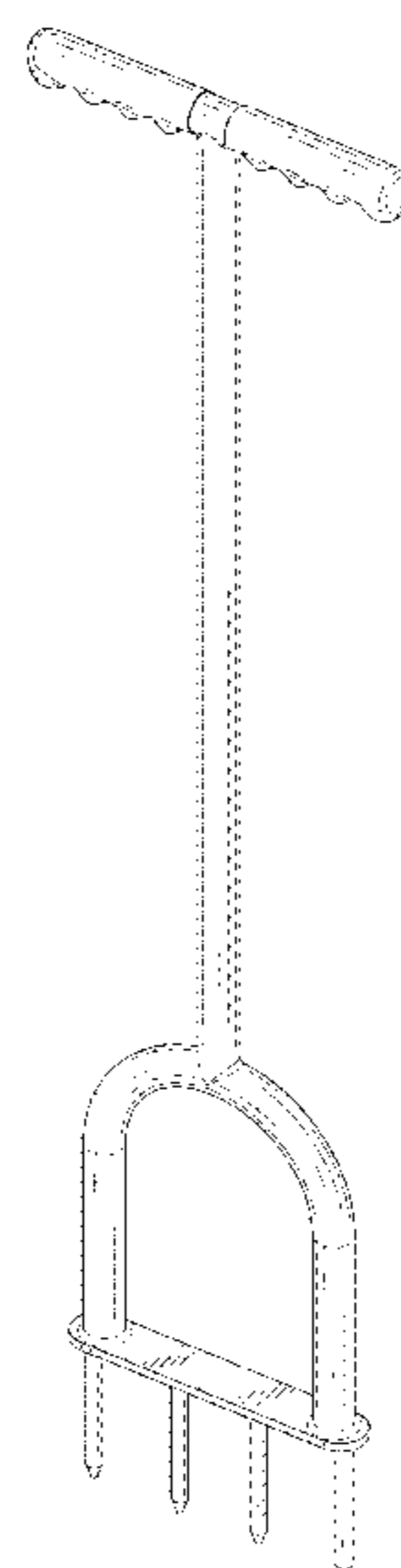
(57) **CLAIM**

The ornamental design for a lawn coring aerator, as shown and described.

**DESCRIPTION**

FIG. 1 is a perspective view of the lawn coring aerator showing my new design;  
FIG. 2 is a perspective view thereof from another angle;  
FIG. 3 is a front elevational view thereof;  
FIG. 4 is a rear elevational view thereof;  
FIG. 5 is a left side elevational view thereof;  
FIG. 6 is a right side elevational view thereof;  
FIG. 7 is a top plan view thereof; and,  
FIG. 8 is a bottom plan view thereof.

**1 Claim, 8 Drawing Sheets**



(56)

**References Cited**

U.S. PATENT DOCUMENTS

5,709,273 A \* 1/1998 Roth ..... A01B 1/22  
 172/22  
 D395,807 S \* 7/1998 Beasley ..... D8/7  
 D405,327 S \* 2/1999 Fortier ..... D8/1  
 5,871,058 A \* 2/1999 Naccarato ..... A01B 1/00  
 294/55.5  
 D423,889 S \* 5/2000 Heffner ..... D8/1  
 6,076,614 A \* 6/2000 Gracy ..... A01B 1/04  
 172/382  
 D429,977 S \* 8/2000 Claxton ..... D8/13  
 D447,673 S \* 9/2001 Vandenharn ..... D8/7  
 D511,947 S \* 11/2005 Green ..... D8/7  
 D521,823 S \* 5/2006 Demar ..... D8/7  
 D528,878 S \* 9/2006 Laramee ..... D8/7  
 D546,167 S \* 7/2007 Noethe ..... D8/387  
 D560,982 S \* 2/2008 Hammond, Sr. .... D8/7  
 D574,677 S \* 8/2008 Broadstone ..... D8/1  
 D585,252 S \* 1/2009 Mullen ..... D8/7  
 D668,920 S \* 10/2012 Sandoval ..... D8/1  
 D743,219 S \* 11/2015 DeLaRosa ..... D8/7  
 2019/0014712 A1 \* 1/2019 Rodriguez ..... A01B 1/06

FOREIGN PATENT DOCUMENTS

GB 4031945 \* 10/2013  
 GB 6152191 \* 5/2021  
 KR 300587327.0000 \* 2/2011

\* cited by examiner

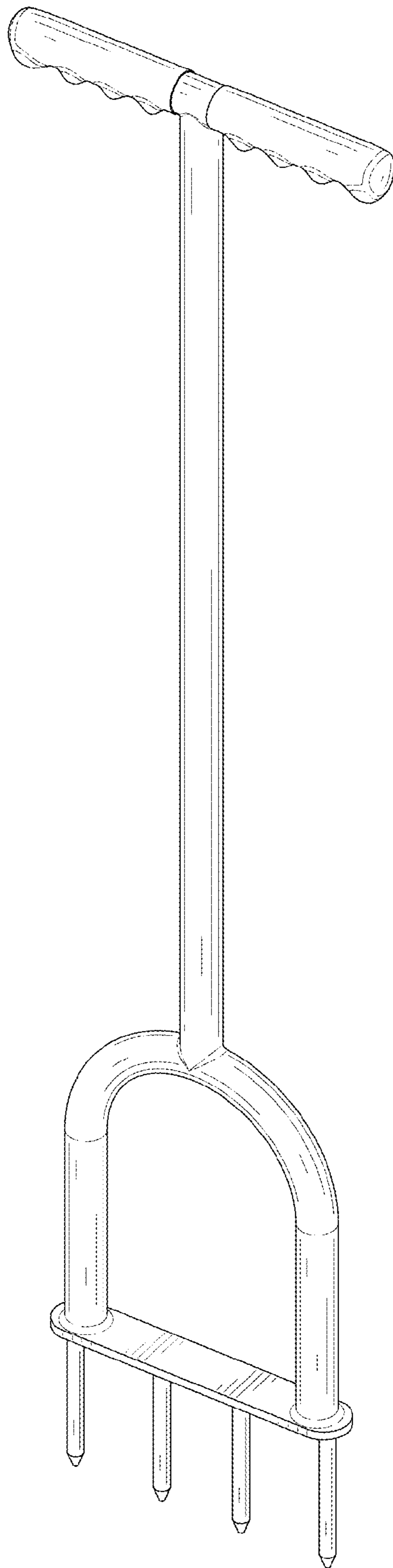


FIG. 1

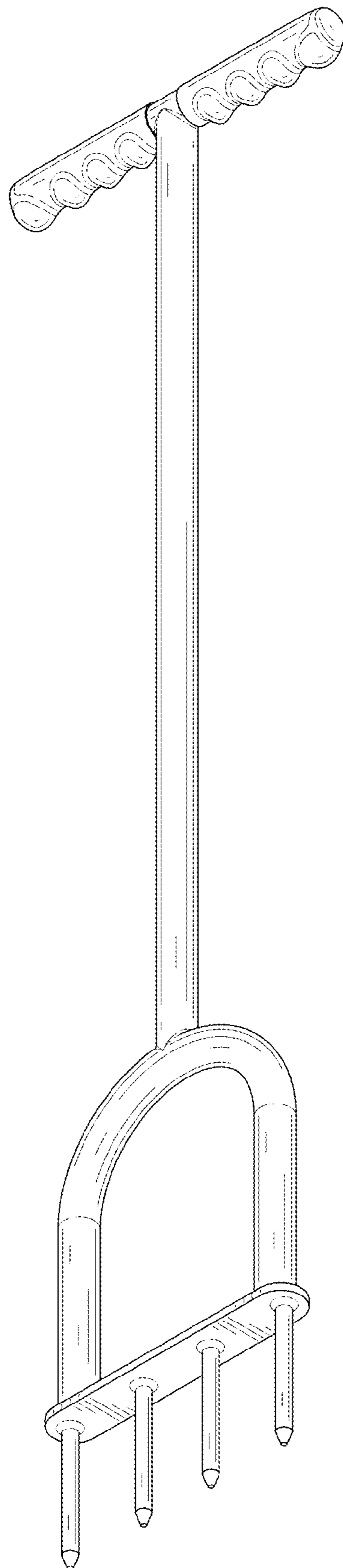


FIG. 2

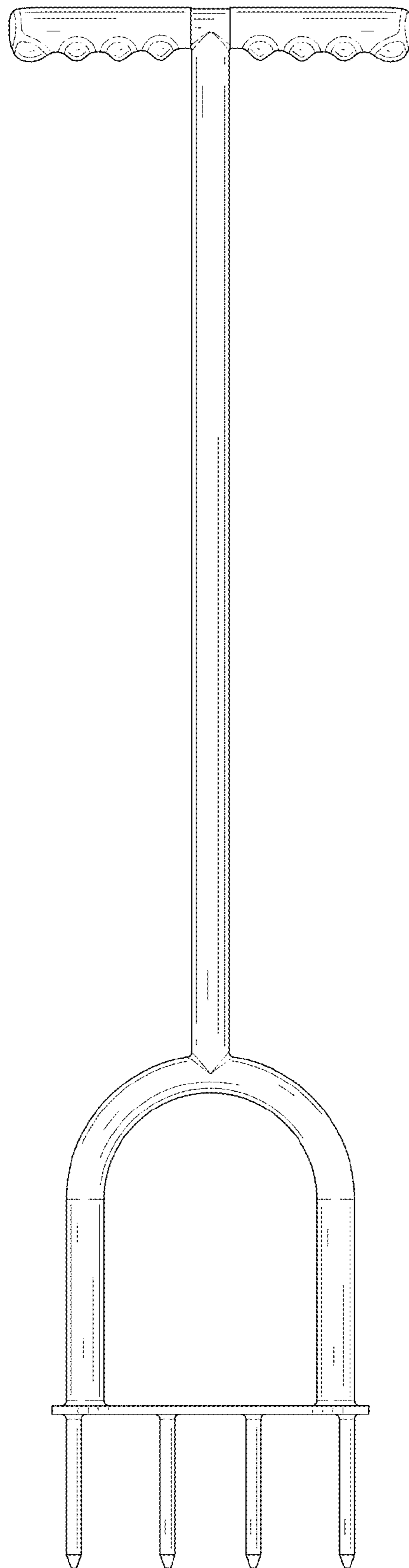


FIG. 3

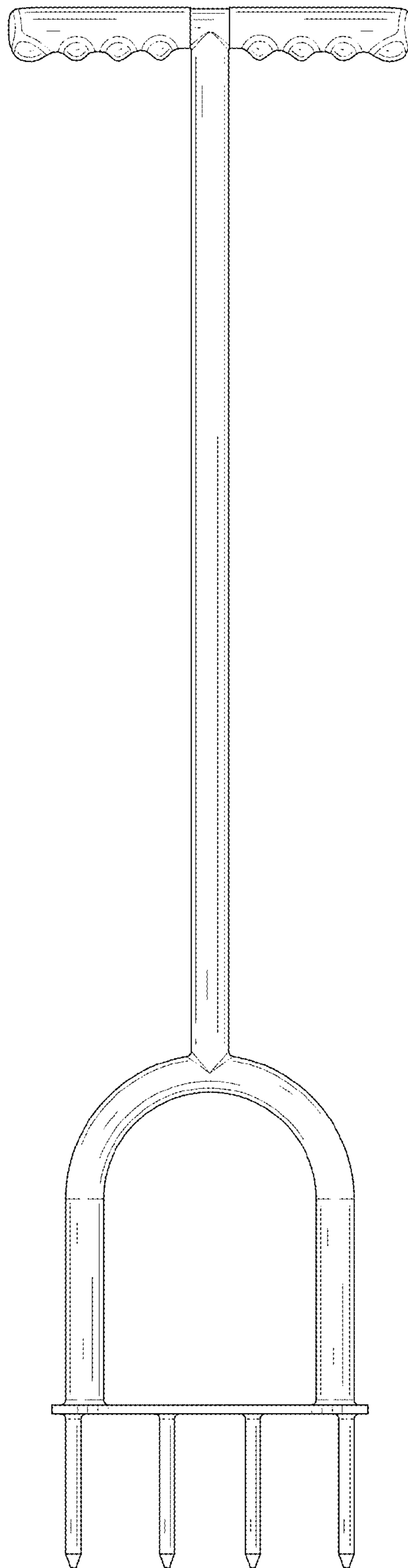


FIG. 4

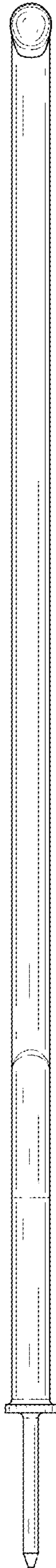


FIG. 5

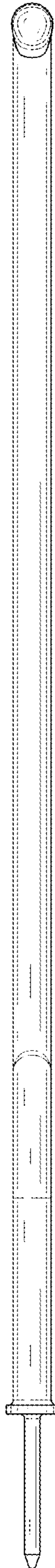


FIG. 6



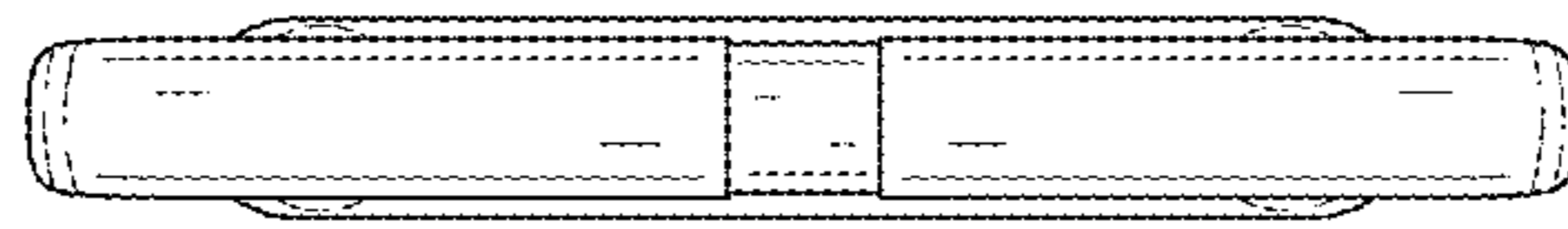


FIG. 7



FIG. 8