



US00D967678S

(12) **United States Design Patent** (10) **Patent No.:** **US D967,678 S**  
**Yin** (45) **Date of Patent:** **\*\* Oct. 25, 2022**

(54) **GARDEN HARVESTING TOOL**  
(71) Applicant: **Ruipeng Yin**, Xinxiang (CN)  
(72) Inventor: **Ruipeng Yin**, Xinxiang (CN)  
(\*\*) Term: **15 Years**  
(21) Appl. No.: **29/827,529**  
(22) Filed: **Feb. 21, 2022**  
(51) **LOC (13) Cl.** ..... **08-01**  
(52) **U.S. Cl.**  
USPC ..... **D8/3**  
(58) **Field of Classification Search**  
USPC ..... D8/3, 14, 98; D3/29  
CPC ..... B26B 27/007; B26B 5/001; A01D 46/247;  
D05B 91/04  
See application file for complete search history.

(56) **References Cited**  
U.S. PATENT DOCUMENTS  
224,975 A \* 2/1880 White ..... A01D 46/247  
30/298  
471,221 A \* 3/1892 Moores ..... A61F 13/105  
D11/27  
931,511 A \* 8/1909 Southworth ..... B26B 27/007  
2/21  
1,000,226 A \* 8/1911 Arwine ..... B26B 27/007  
2/21  
2,697,277 A \* 12/1954 Bloxsom ..... D05B 91/04  
D3/29  
D876,813 S \* 3/2020 Hu ..... D3/29  
D907,301 S \* 1/2021 Zhu ..... B26B 27/007  
D29/114  
D915,171 S 4/2021 Zhu  
2012/0304471 A1\* 12/2012 Jones ..... B26B 27/007  
30/162  
2018/0368498 A1\* 12/2018 Coutsis ..... A01D 46/247

**OTHER PUBLICATIONS**  
ANPTGHT Gartenarbeit Daumenmesser Gemüse Pflücken Pflanzen  
Silikon Trim Ernte Werkzeug . . . ; APNTGHT; amazon.de; Jul. 17,

2022; accessed Sep. 2, 2022; URL:<https://www.amazon.de/dp/B0B1LQWKJD/ > (Year: 2022).\*  
Gardening Thumb Knife12 Pcs, TASIPA Silicone Thumb Knife Harvesting Tools, Plant Picking Knife Gardening . . . ; TASIPA; amazon.co.uk; May 25, 2022; accessed Sep. 2, 2022; URL:<https://www.amazon.co.uk/dp/B0B28YXPTK/ > (Year: 2022).\*  
AA-SS Silicone Thumb Knife—Garden Silicone Thumb Knife, Silicone Finger Protector, Trimming Plant Finger Knife, Gardening Picking; AA-SS; amazon.co.uk; Sep. 5, 2020; accessed Sep. 7, 2022; URL:<https://www.amazon.co.uk/dp/B08HKD6Q5D?th=1 > (Year: 2020).\*

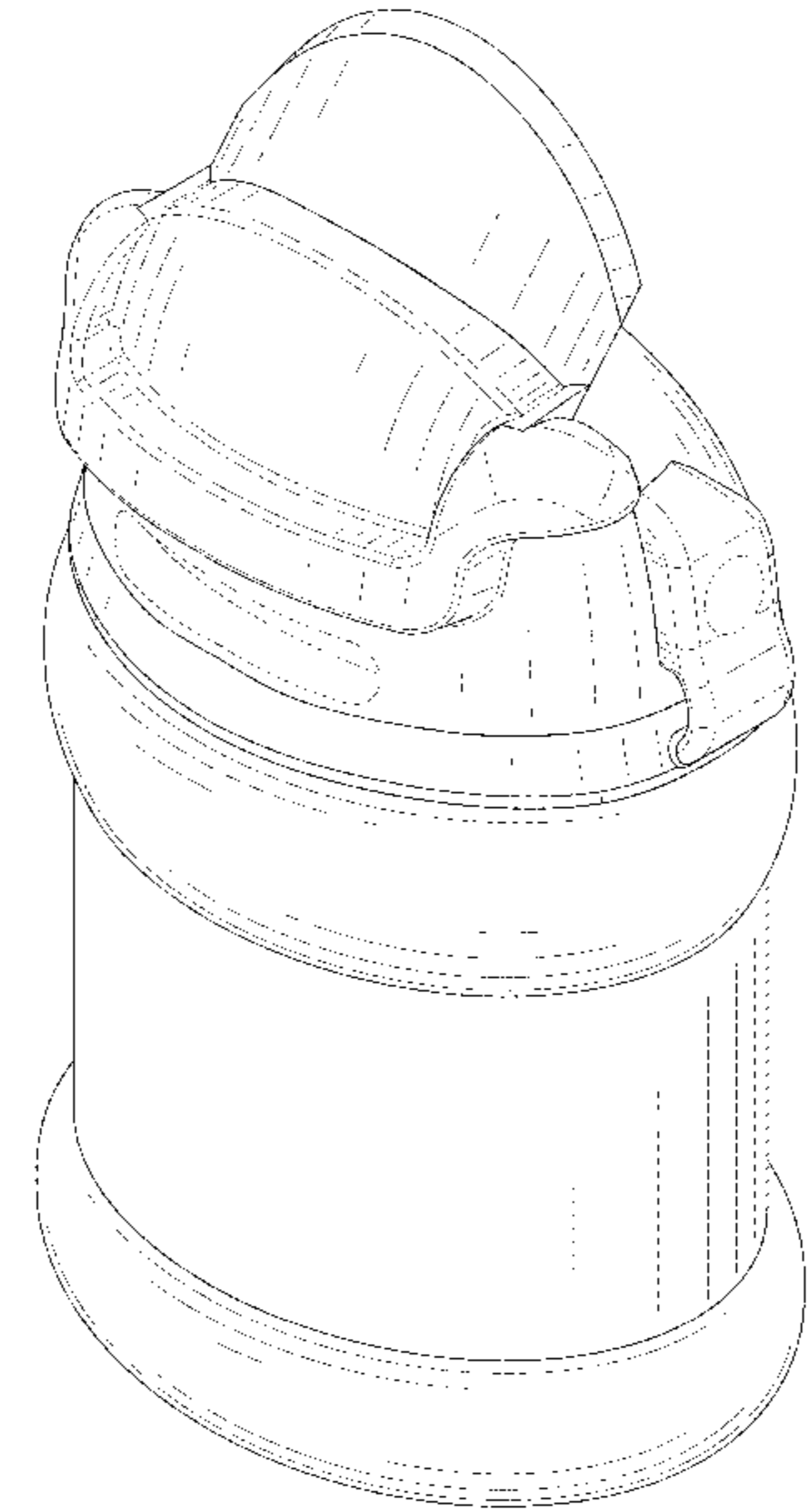
(Continued)

*Primary Examiner* — Rachel A. Voorhies  
*Assistant Examiner* — Benjamin D. Wannemacher

(57) **CLAIM**  
The ornamental design for a garden harvesting tool, as shown and described.

**DESCRIPTION**  
FIG. 1 is a perspective view of a garden harvesting tool showing my new design;  
FIG. 2 is another perspective view thereof;  
FIG. 3 is a front elevational view thereof;  
FIG. 4 is a rear elevational view thereof;  
FIG. 5 is a left side elevational view thereof;  
FIG. 6 is a right side elevational view thereof;  
FIG. 7 is a top plan view thereof;  
FIG. 8 is a bottom plan view thereof; and,  
FIG. 9 is a perspective view of the garden harvesting tool where the garden harvesting tool is in a configuration of use. The broken lines in the drawings depict portions of the garden harvesting tool that form no part of the claimed design.

**1 Claim, 9 Drawing Sheets**



(56)

**References Cited**

OTHER PUBLICATIONS

ANPHSIN 6 Sets Garden Silicone Thumb Knife Tools—Separator  
Finger Knife Harvesting Plant Picking Knife Gardening Gifts Pluck-  
ing Thumb Finger Cutter for Trimming Garden Plants Strawberry  
Veg . . . ; ANPHSIN; amazon.co.uk; Oct. 17, 2019; accessed Sep.  
7, 2022; URL:< <https://www.amazon.co.uk/dp/B07Z7XZP3Q/> >  
(Year: 2019).\*

\* cited by examiner

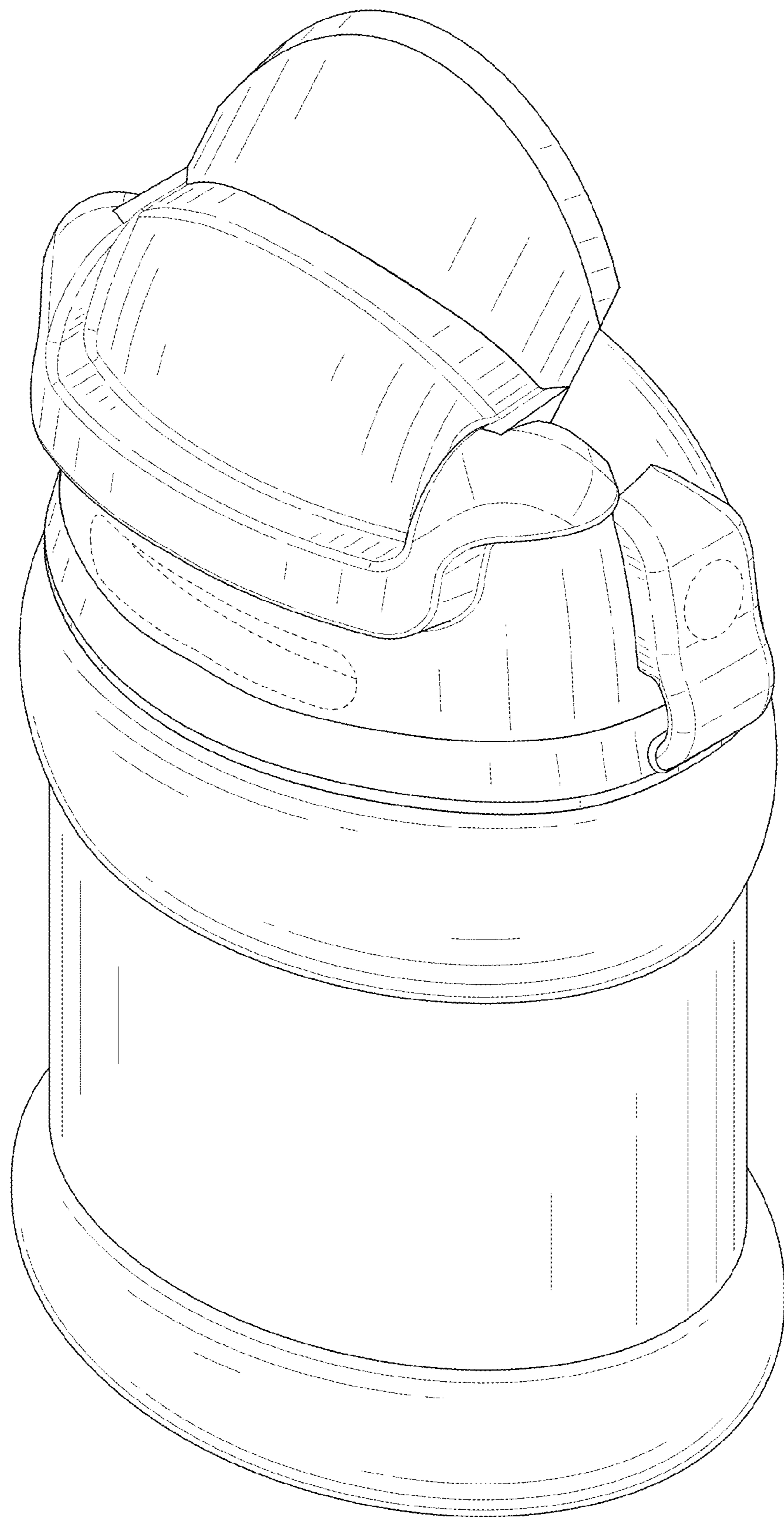


FIG. 1

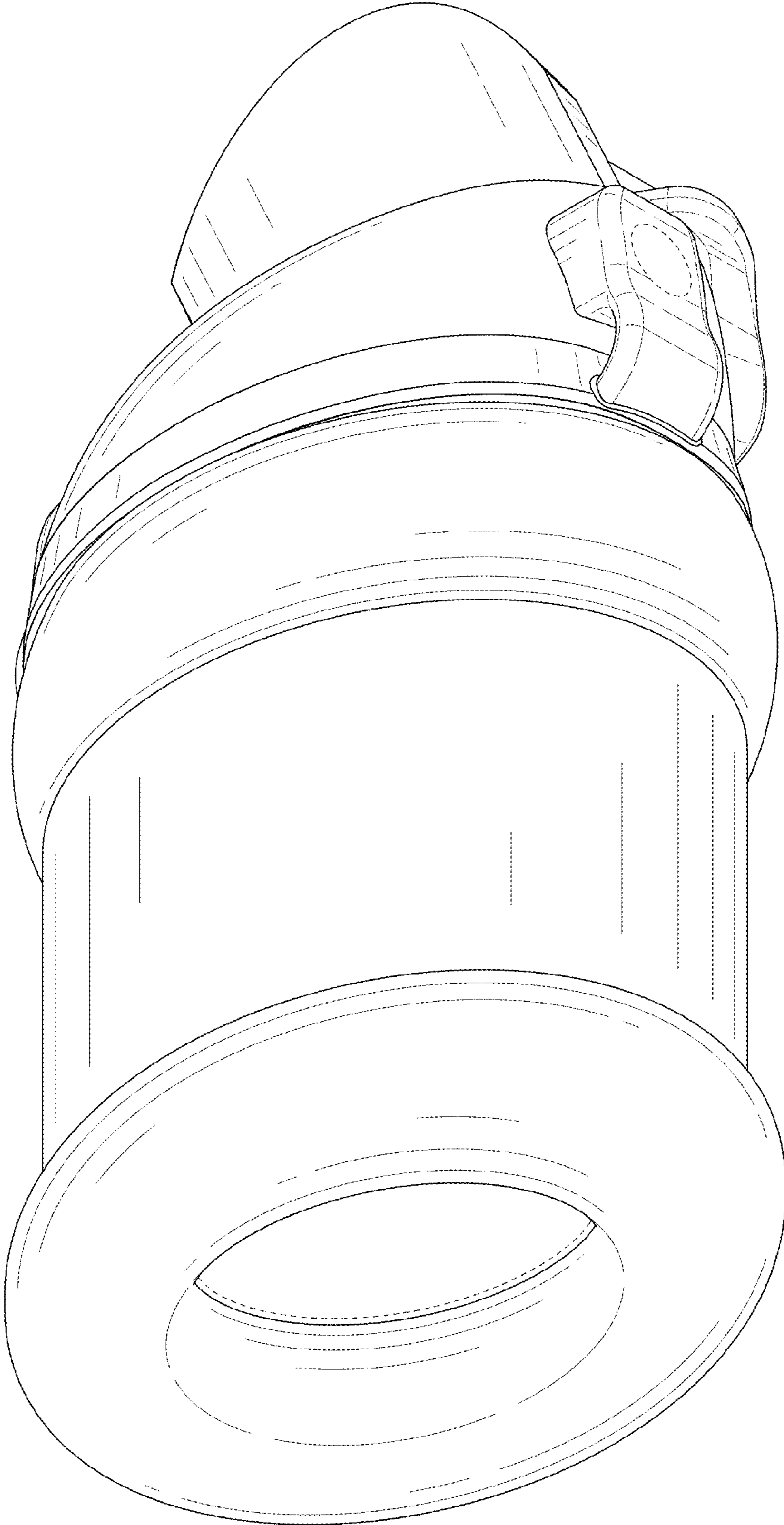


FIG. 2

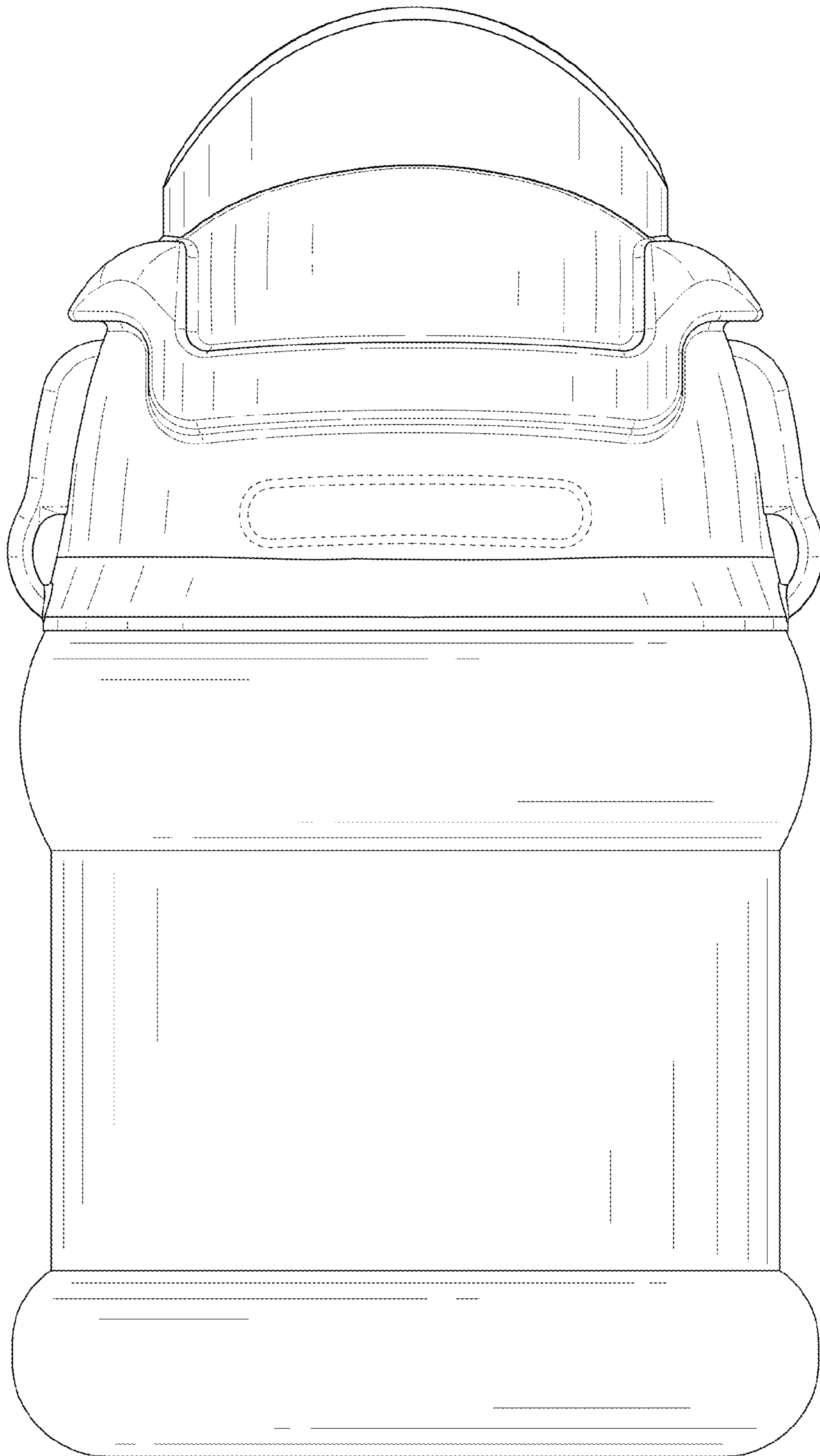


FIG. 3

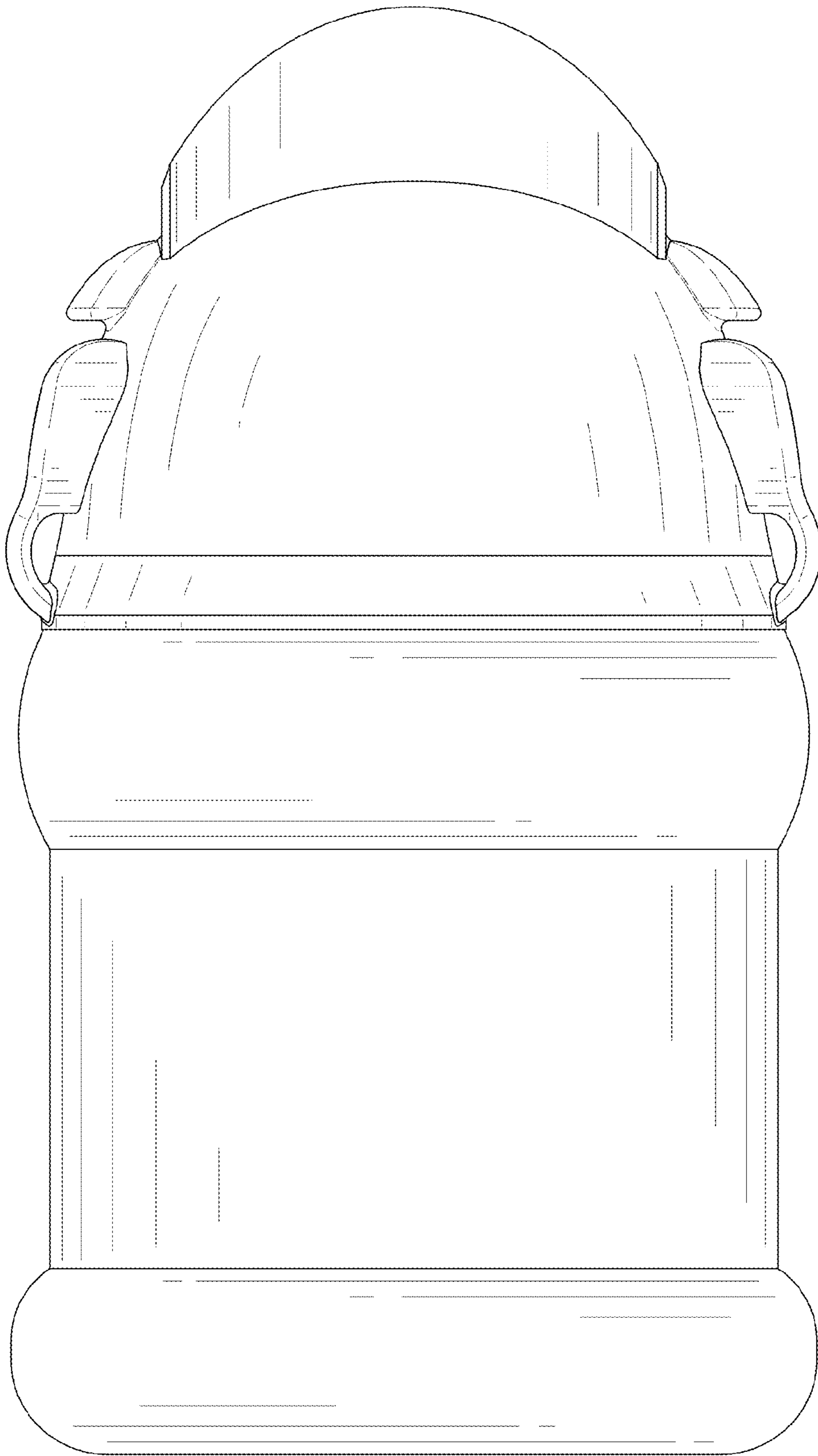


FIG. 4

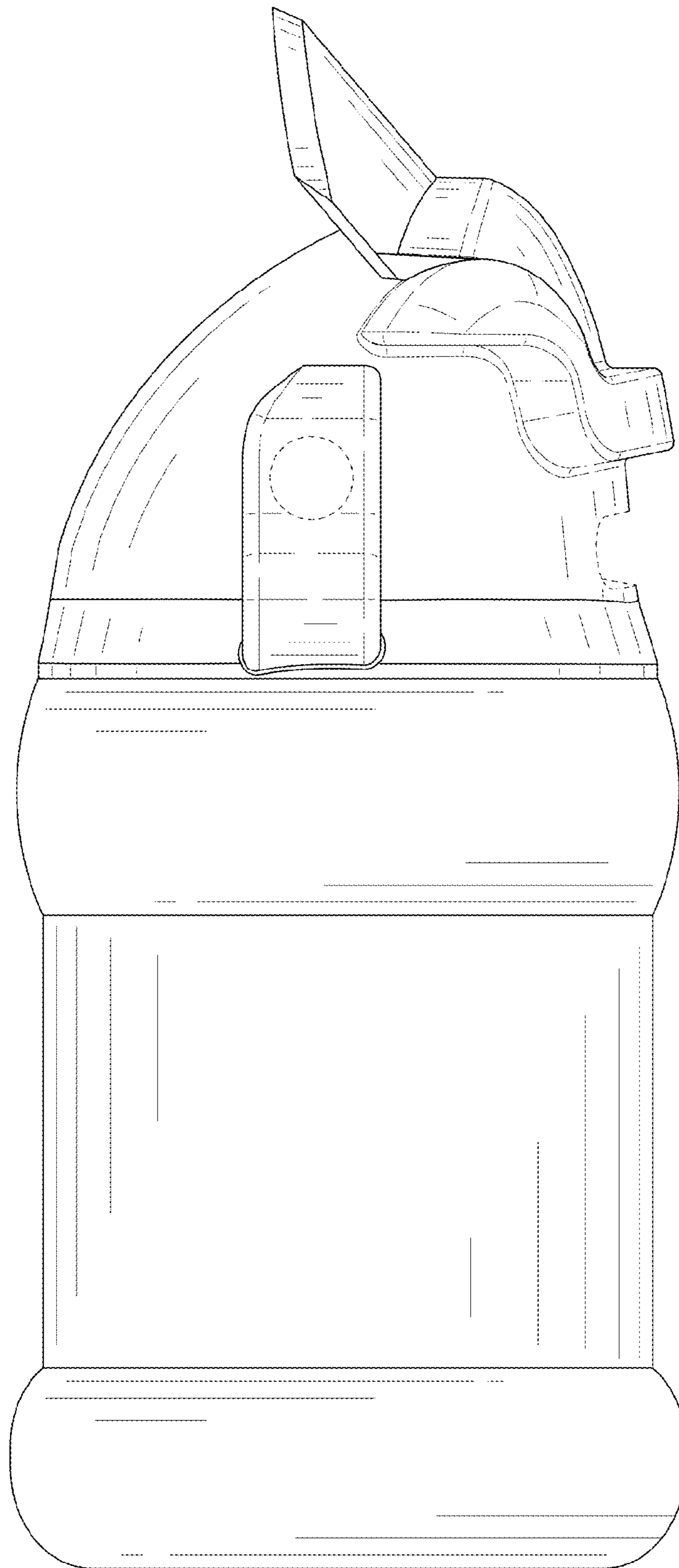


FIG. 5

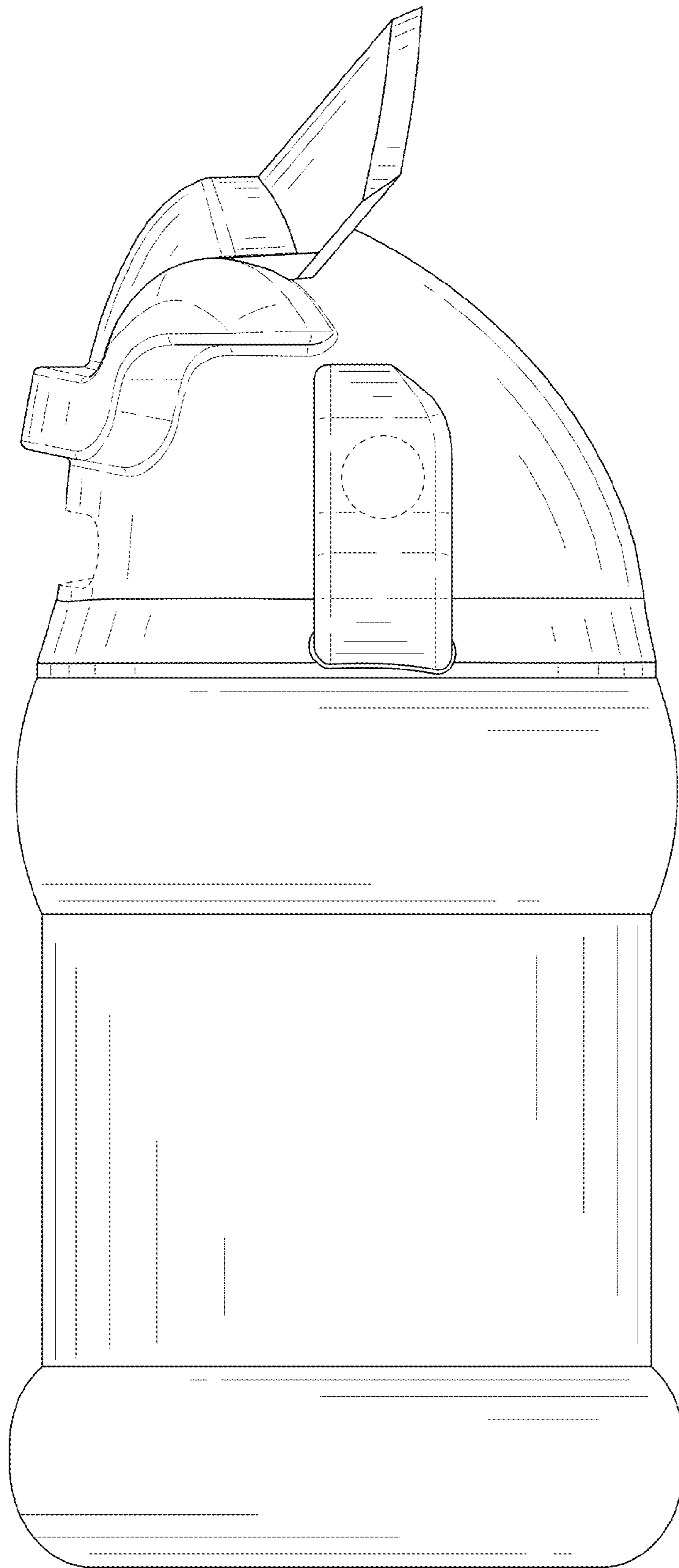


FIG. 6



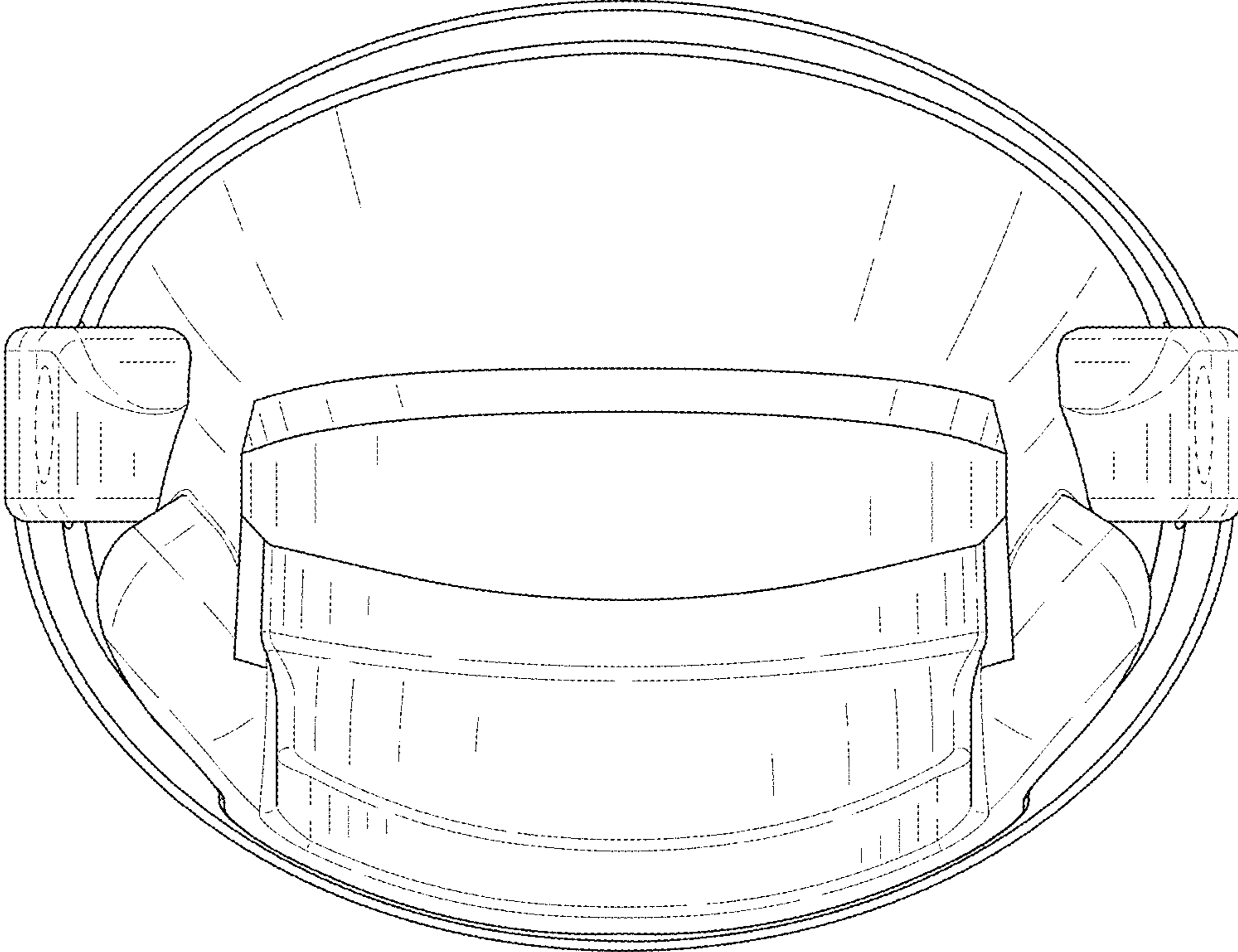


FIG. 7

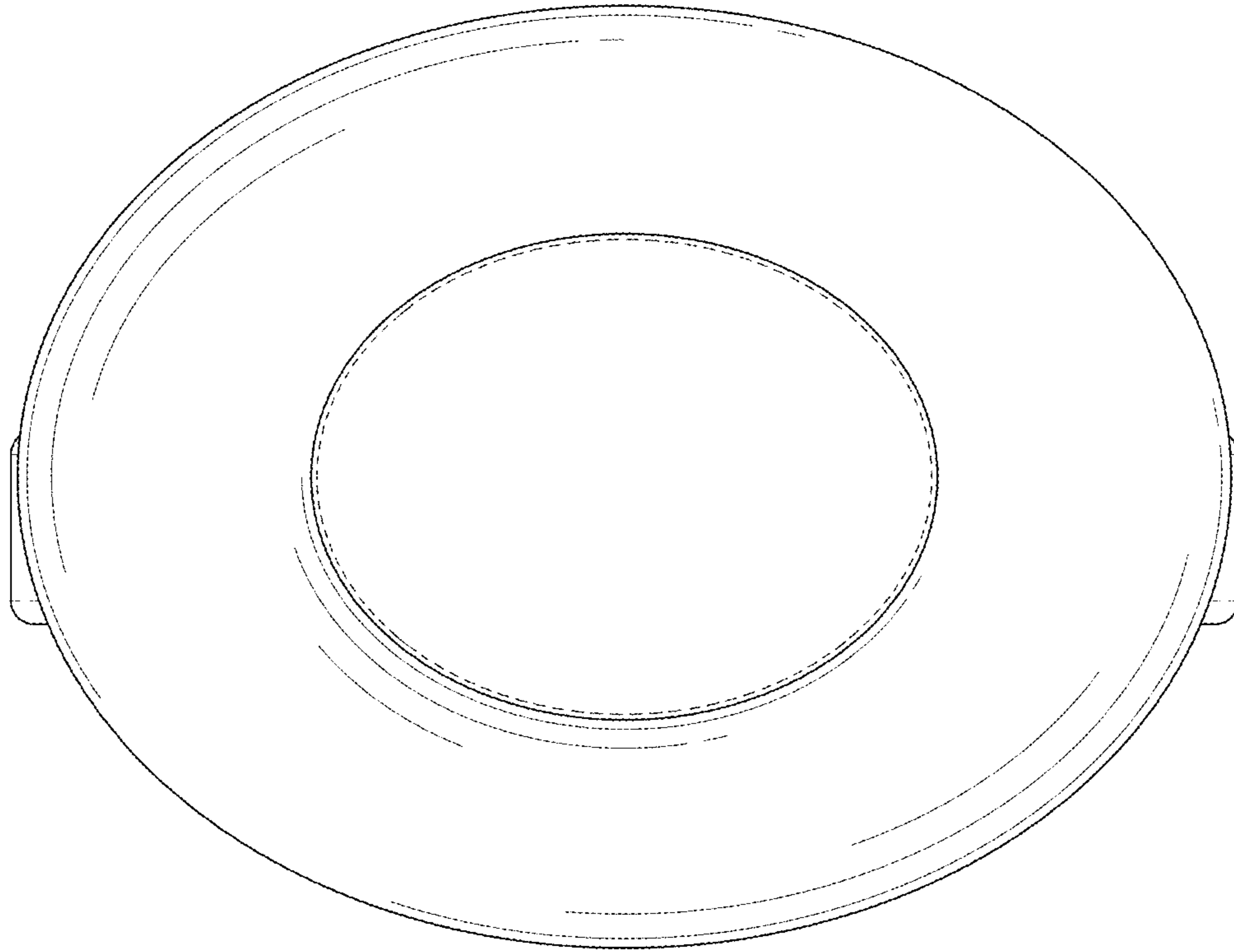


FIG. 8

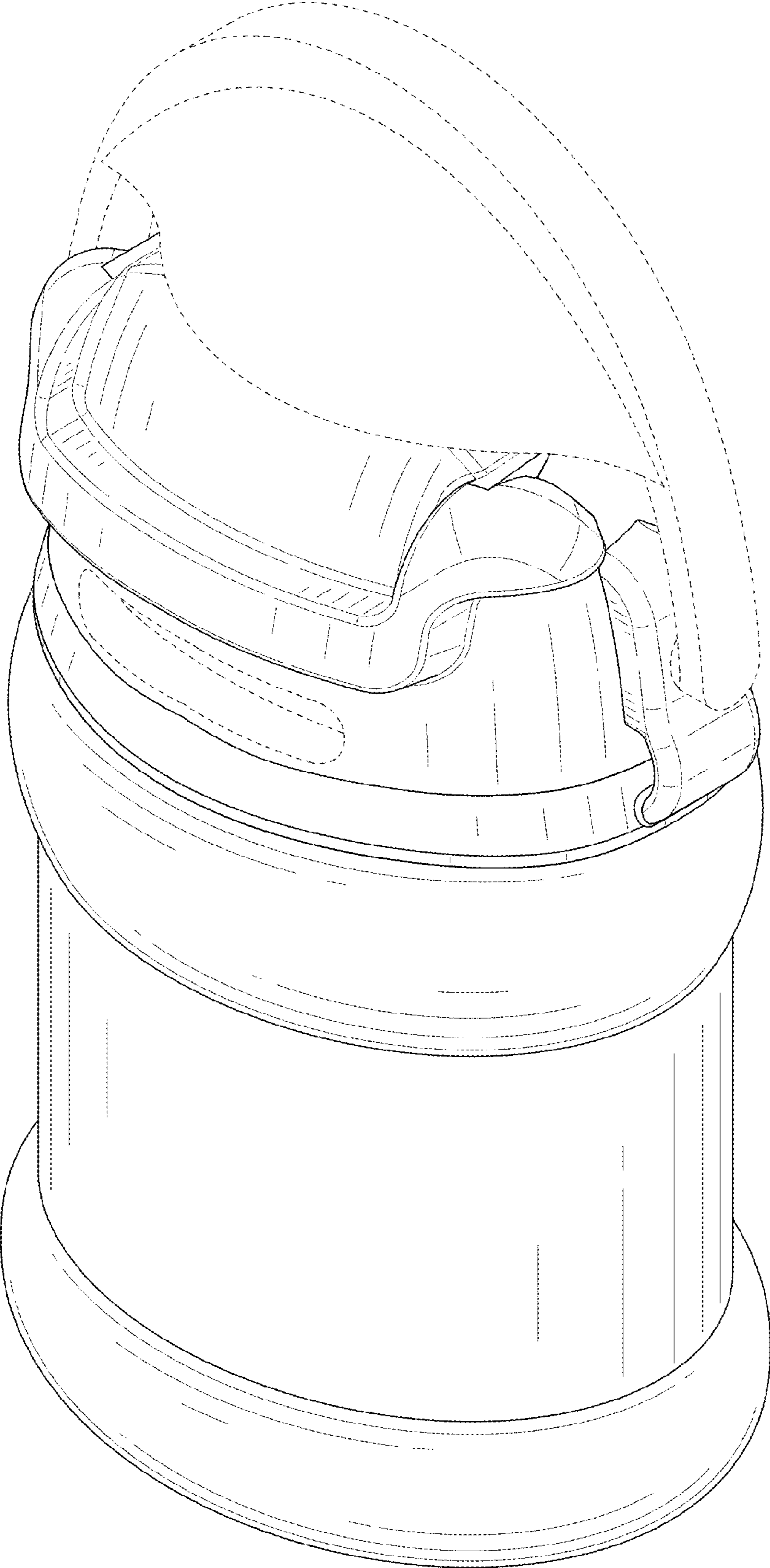


FIG. 9