

US00D967676S

(12) **United States Design Patent**
Lebron

(10) **Patent No.:** **US D967,676 S**

(45) **Date of Patent:** **** Oct. 25, 2022**

(54) **POPSICLE HOLDER**

(71) Applicant: **Gedalja Lebron**, Jerusalem (IL)

(72) Inventor: **Gedalja Lebron**, Jerusalem (IL)

(**) Term: **15 Years**

(21) Appl. No.: **29/774,088**

(22) Filed: **Mar. 14, 2021**

Related U.S. Application Data

(63) Continuation-in-part of application No. 29/668,969, filed on Nov. 4, 2018, now abandoned.

(51) **LOC (13) Cl.** **07-04**

(52) **U.S. Cl.**
USPC **D7/672**

(58) **Field of Classification Search**
USPC D7/672-677, 357; D9/456; D15/90
CPC .. A47J 43/25; A47J 43/20; A23G 9/26; A23G 9/503; A23G 9/221

See application file for complete search history.

(56) **References Cited**

U.S. PATENT DOCUMENTS

- 1,505,592 A * 8/1924 Epperson A23G 9/26 426/421
- 1,987,945 A * 1/1935 Schnaler A23G 9/221 249/92
- 2,175,324 A * 10/1939 Stamp A23G 9/26 249/92
- 2,819,690 A * 1/1958 Baker A23G 9/221 249/92

- D188,992 S * 10/1960 Morrision D7/672
- D269,578 S * 7/1983 Straubinger D7/672
- D613,132 S * 4/2010 Frank D7/672
- D651,450 S * 1/2012 Pallotto D7/368
- D676,289 S * 2/2013 Lion D7/672
- D690,169 S * 9/2013 Zorovich D7/672
- D902,670 S * 11/2020 Pawluskiewicz D7/672
- D921,067 S * 6/2021 Chen D15/90
- D923,067 S * 6/2021 Zhao D15/90
- 2014/0197300 A1 * 7/2014 Zorovich A23G 9/503 249/127

* cited by examiner

Primary Examiner — Brett Miller

(74) *Attorney, Agent, or Firm* — Cabilly & Co.

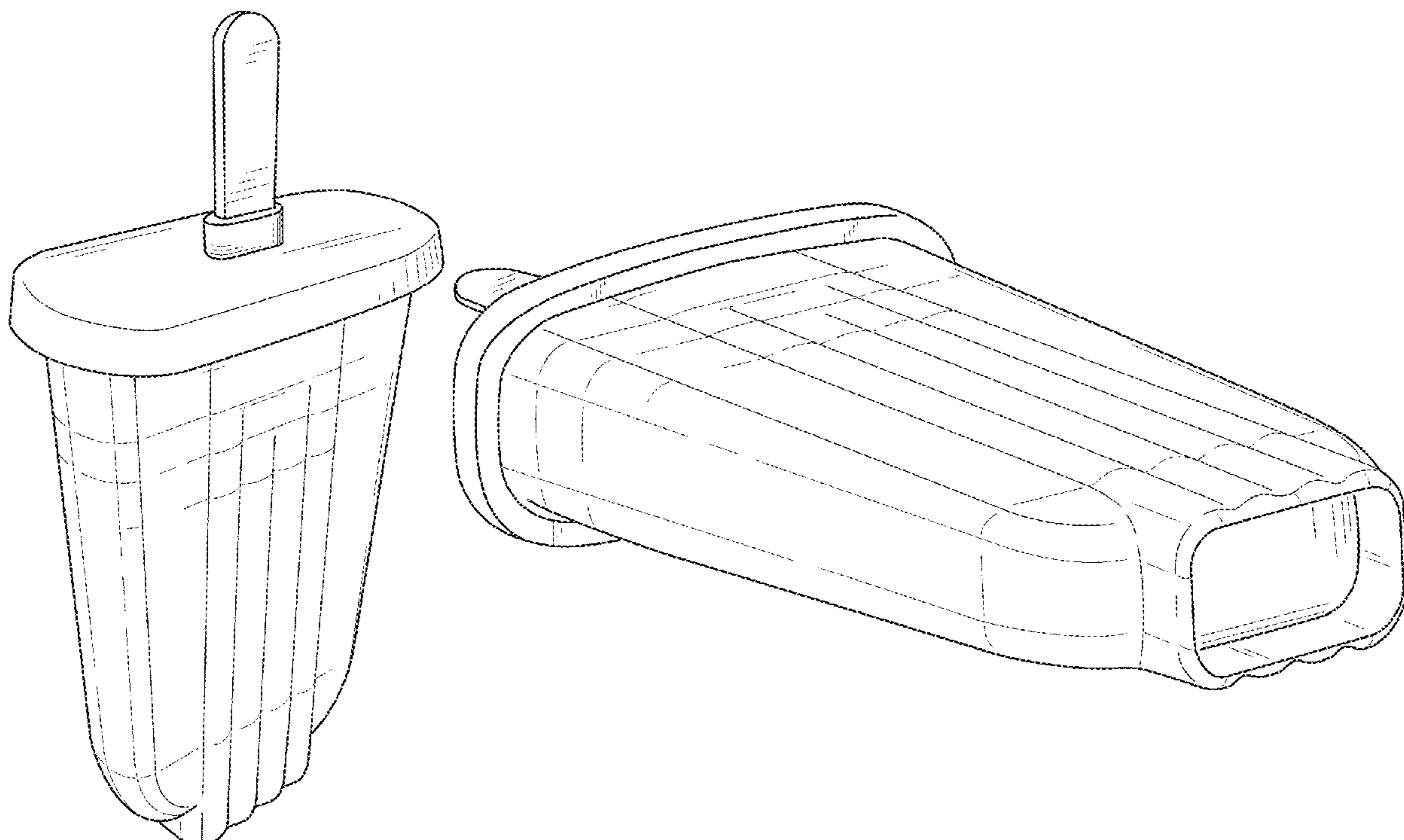
(57) **CLAIM**

The ornamental design for popsicle holder, as shown and described.

DESCRIPTION

FIG. 1 is a front view of a popsicle holder in accordance with the new design;
 FIG. 2 is a side view thereof;
 FIG. 3 is a top view thereof;
 FIG. 4 is a front perspective view thereof; and,
 FIG. 5 is a bottom perspective view thereof.
 The body portion of the popsicle holder is semi-transparent. The handle of the popsicle holder is opaque. Transparency is omitted in FIGS. 5 and 6 for clarity.

1 Claim, 2 Drawing Sheets



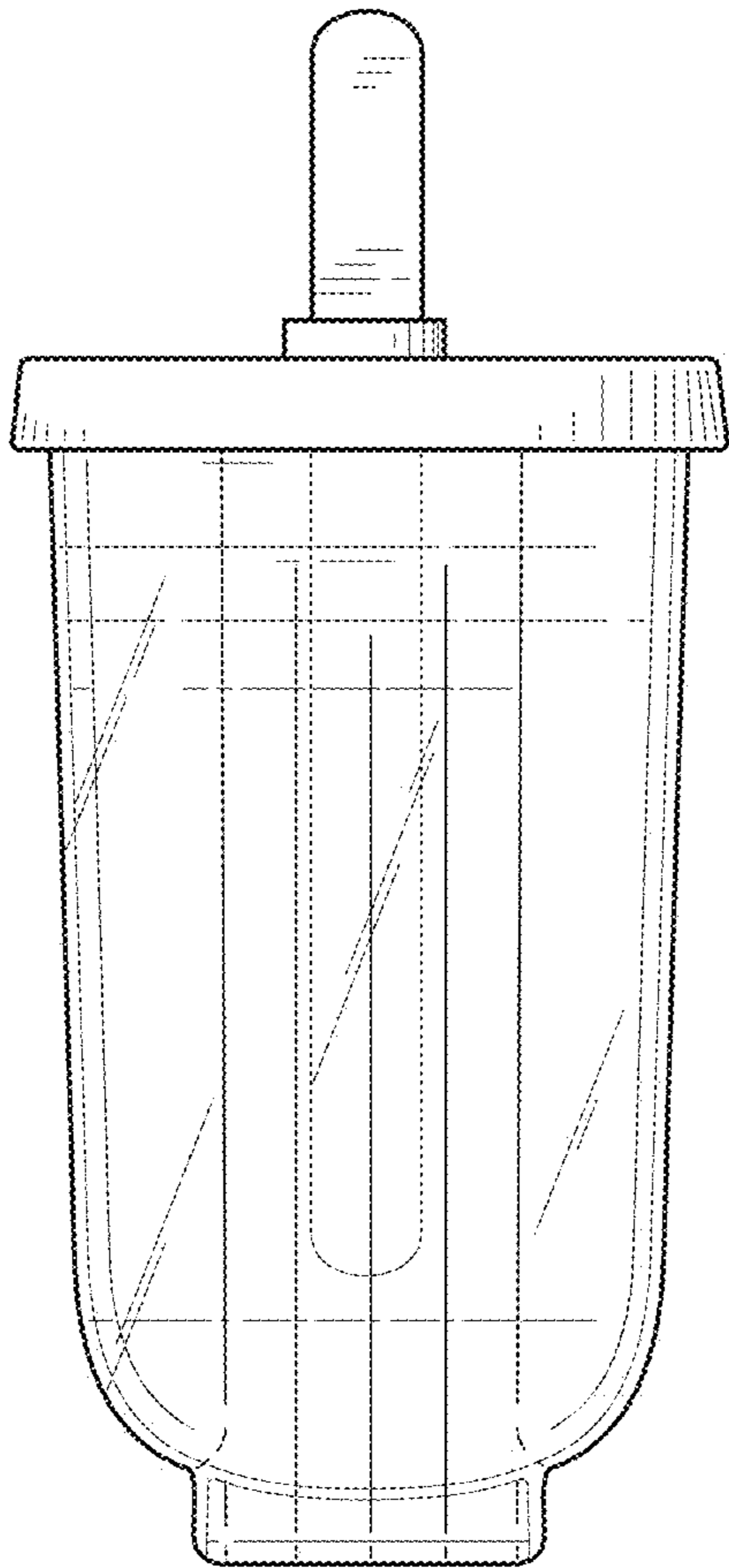


FIG. 1

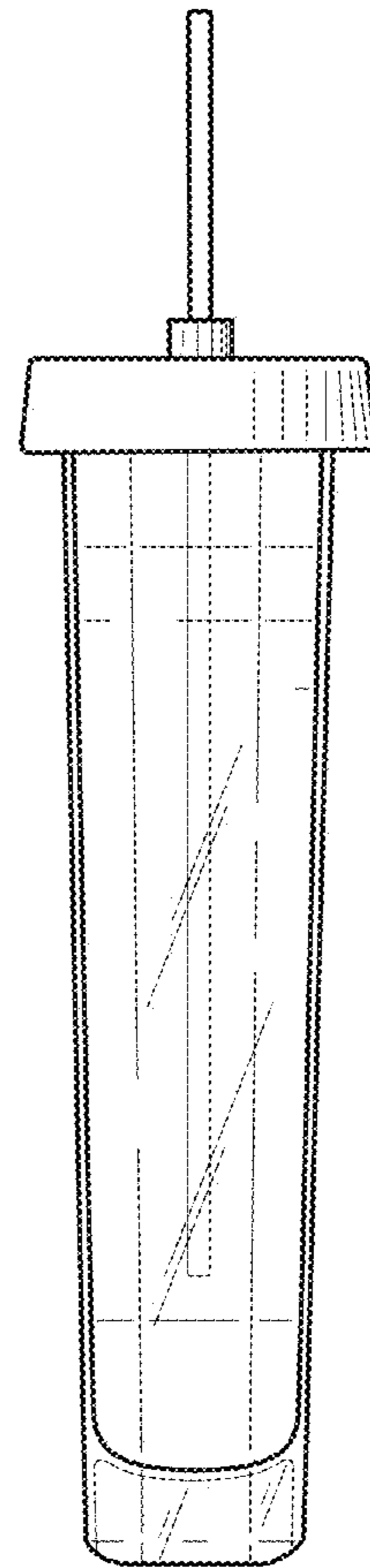


FIG. 2

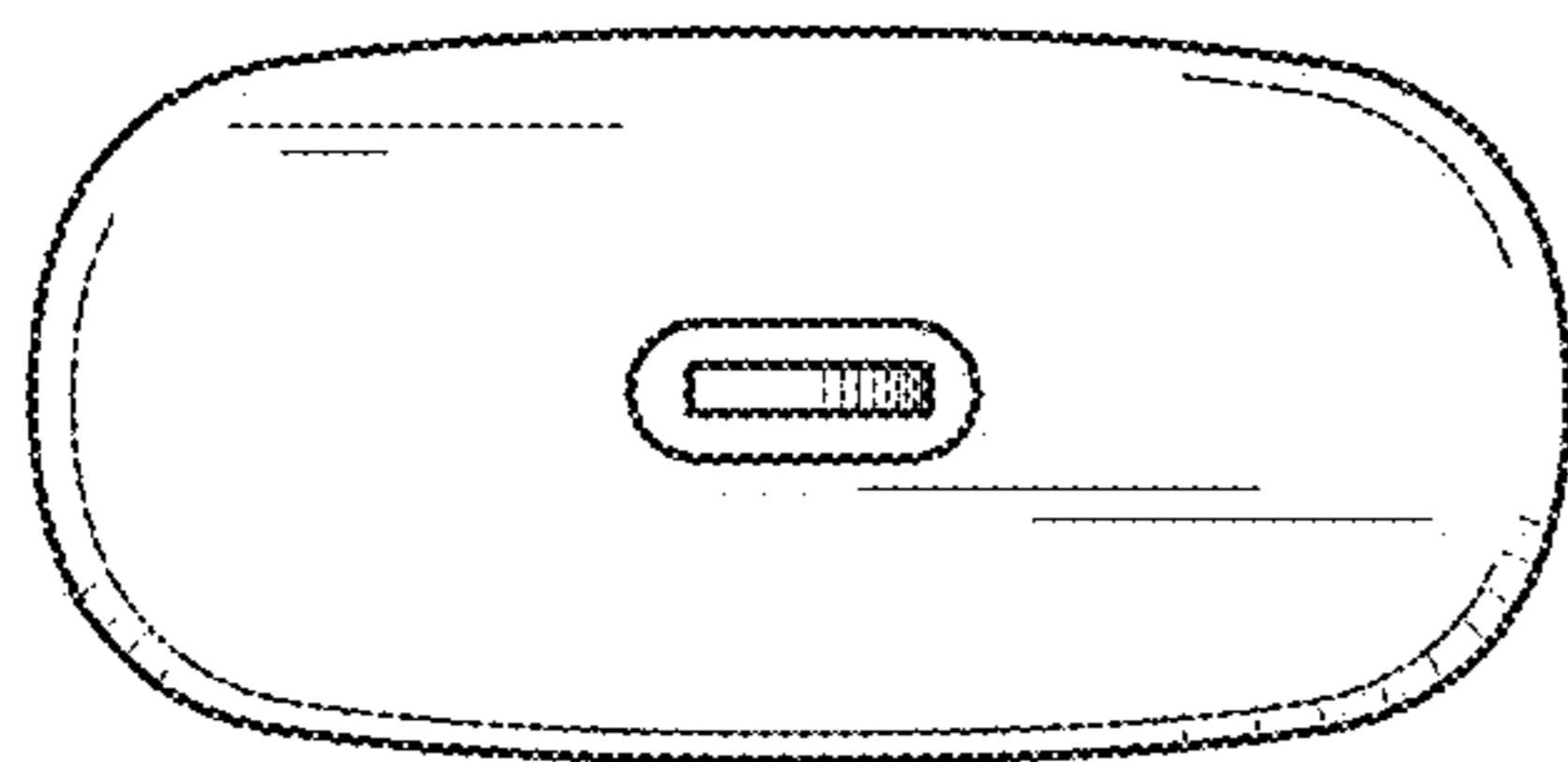


FIG. 3

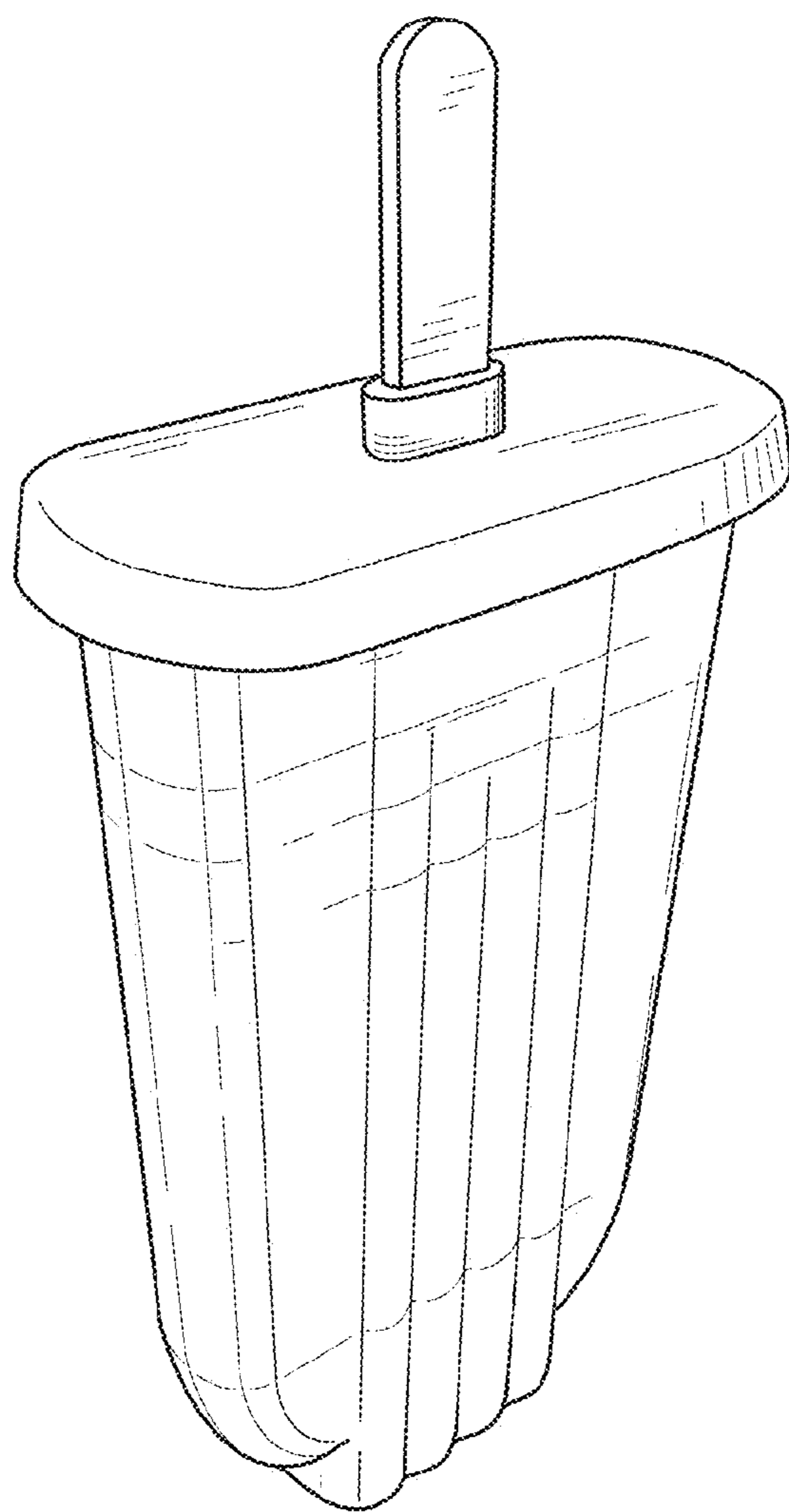


FIG. 4

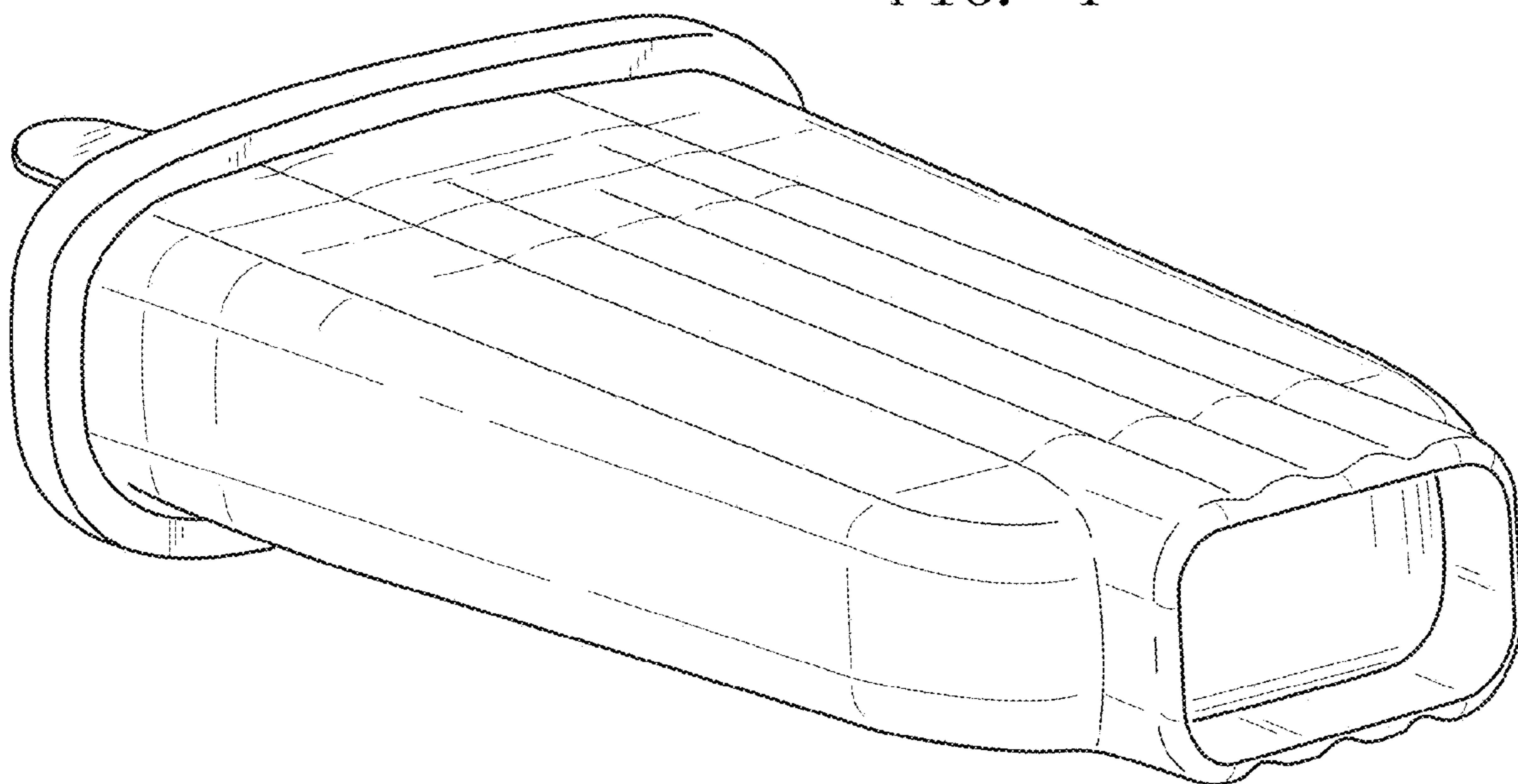


FIG. 5