



US00D967675S

(12) **United States Design Patent** (10) **Patent No.:** **US D967,675 S**
Hamann (45) **Date of Patent:** **** Oct. 25, 2022**

(54) **COOKING TOOL HOLDER**

(71) Applicant: **BK Resource, Inc.**, Altamont, IL (US)
(72) Inventor: **Michael Hamann**, Effingham, IL (US)
(73) Assignee: **BK Resources, Inc.**, Altamont, IL (US)
(**) Term: **15 Years**
(21) Appl. No.: **29/754,703**

(22) Filed: **Oct. 13, 2020**

(51) **LOC (13) Cl.** **07-07**

(52) **U.S. Cl.**
USPC **D7/637**

(58) **Field of Classification Search**
USPC ... D7/600.1, 600.3, 601, 602, 637-641, 701,
D7/704, 705, 708; D3/304, 305, 313,
D3/314; D6/323, 525, 527, 683, 683.1,
D6/706; D19/77, 81, 92; D32/55, 56
CPC A47B 77/14; A47G 21/00; A47G 21/14;
A47G 23/06; A47G 23/0641; A47J 45/02;
A47J 47/16; A47L 19/00; A47L 19/02;
A47L 19/04; B65D 1/34; B65D 1/36
See application file for complete search history.

(56) **References Cited**

U.S. PATENT DOCUMENTS

D49,875 S	*	11/1916	Aulicino	D7/590
D279,638 S	*	7/1985	Kellogg	D6/683.1
D803,629 S	*	11/2017	Swift	D7/602
D814,248 S	*	4/2018	Le	D7/637
D816,377 S	*	5/2018	Levy	D6/683
D858,208 S	*	9/2019	Glass	D7/600.1
D866,318 S	*	11/2019	Gallimore	D7/637
D897,786 S	*	10/2020	Nguyen	D7/637
D901,257 S	*	11/2020	Joseph	B65D 1/243 D7/637

(Continued)

OTHER PUBLICATIONS

Design No. D202336-002, Feb. 4, 2019—International Bureau of the World Intellectual Property Organization (WIPO) Publication

Date—Aug. 23, 2019 Owner—WMF Group GmbH, Designer—Manuel Kuehn WIPO, available at <https://www3.wipo.int/designdb/en/index.jsp> (Year: 2019).*

(Continued)

Primary Examiner — Mary Ann Calabrese
Assistant Examiner — Natalya M Rapundalo
(74) *Attorney, Agent, or Firm* — Locke Lord LLP; Daniel J. Fiorello

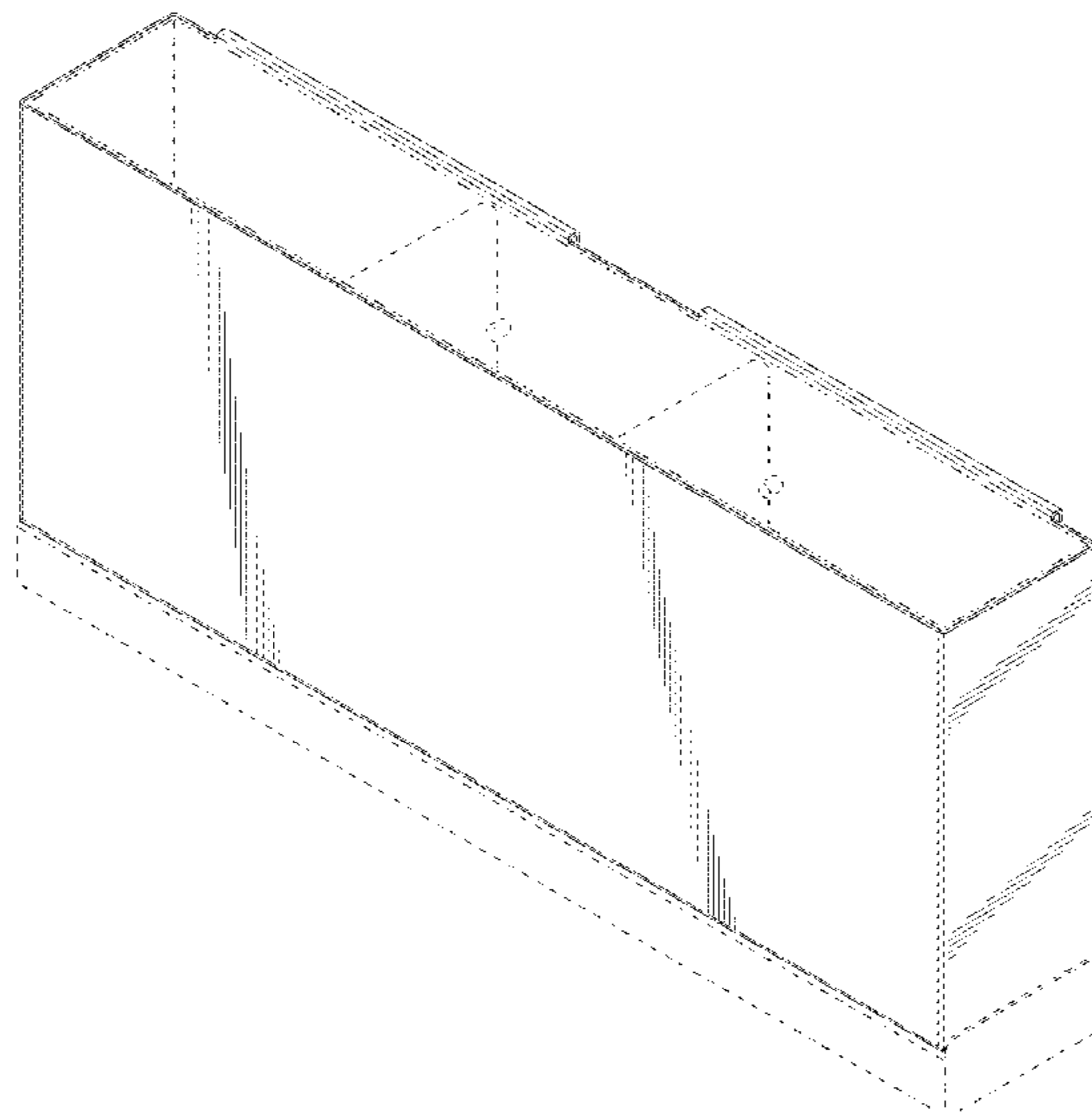
(57) **CLAIM**

The ornamental design for a cooking tool holder, as shown and described.

DESCRIPTION

FIG. 1 is a perspective view of the cooking tool holder; FIG. 2 is a front side elevation view of the cooking tool holder of FIG. 1; FIG. 3 is a rear side elevation view of the cooking tool holder of FIG. 1; FIG. 4 is a top plan view of the cooking tool holder of FIG. 1; FIG. 5 is a bottom plan view of the cooking tool holder of FIG. 1; FIG. 6 is a left side elevation view of the cooking tool holder of FIG. 1; FIG. 7 is a right side elevation view of the cooking tool holder of FIG. 1; FIG. 8 is a perspective exploded top front view of the cooking tool holder of FIG. 1; and, FIG. 9 is a perspective bottom front view of the cooking tool holder of FIG. 1. The dashed broken lines shown in the drawings depict portions of the cooking tool holder and form no part of the claimed design. The dash dot lines illustrate a boundary and form no part of the claimed design.

1 Claim, 9 Drawing Sheets



(56)

References Cited

U.S. PATENT DOCUMENTS

D925,226 S * 7/2021 Hazelton A47J 47/16
D3/304
2015/0238032 A1* 8/2015 Parks B65D 1/243
220/528
2018/0177345 A1* 6/2018 Williams A47J 47/16

OTHER PUBLICATIONS

BK Resources GCP-18TB GrillCook Pro 18 Inch Universal Grill
Accessory Holder, Stainless Steel, first available Nov. 17, 2020,
Amazon, [online], [site visited Feb. 22, 2020], Available from
internet URL: [https://www.amazon.com/BK-Resources-GrillCook-
Universal-Accessory/dp/B08NRTWBHP](https://www.amazon.com/BK-Resources-GrillCook-Universal-Accessory/dp/B08NRTWBHP) (Year: 2020).*

* cited by examiner

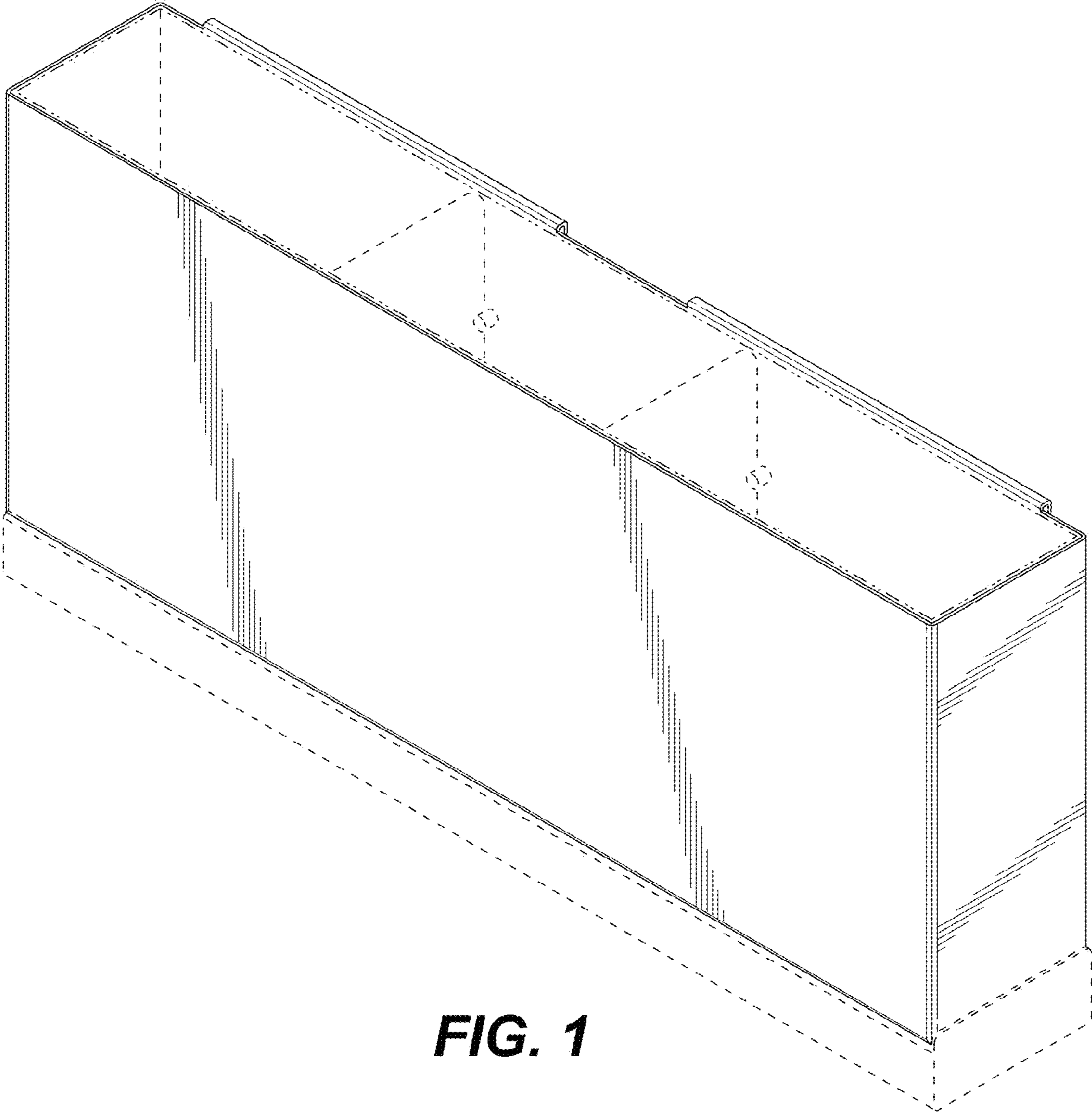


FIG. 1

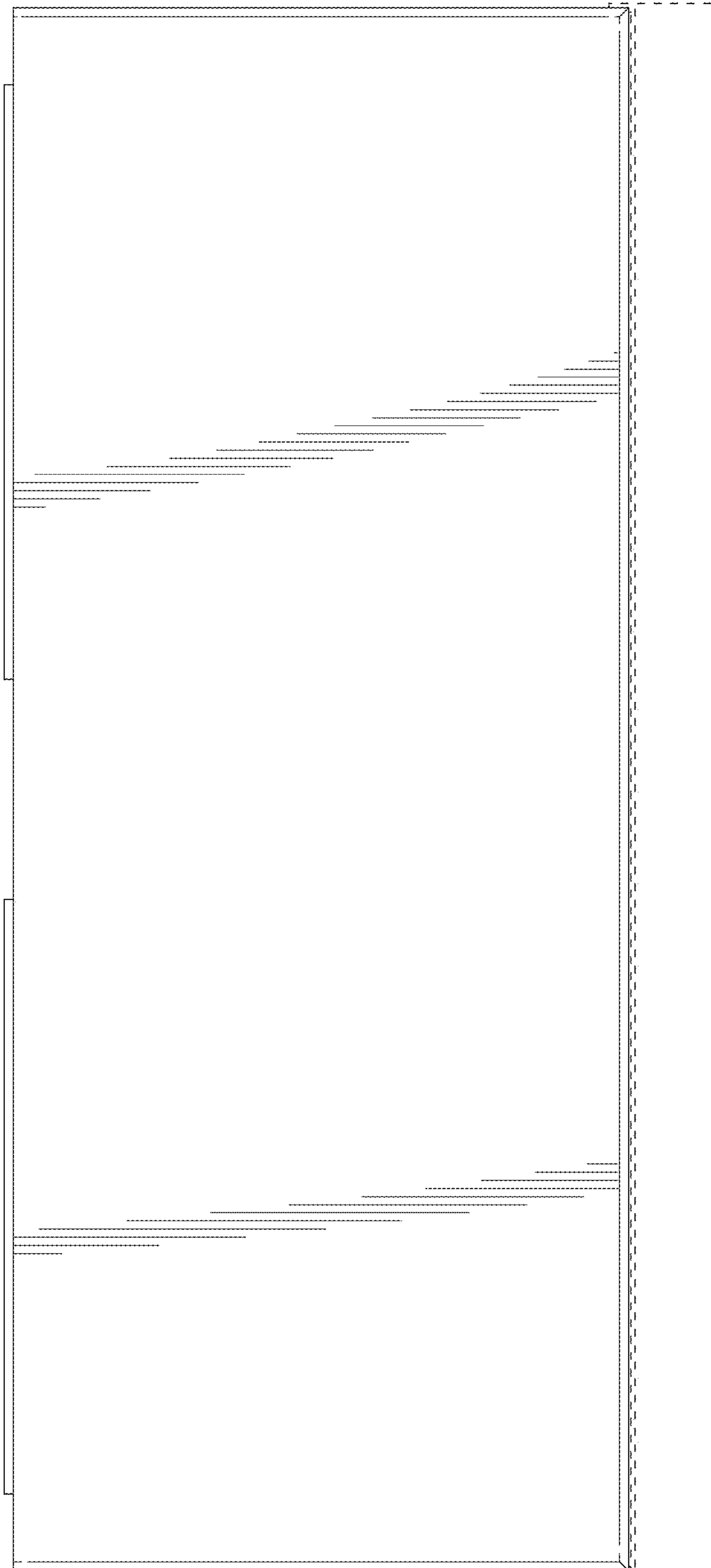


FIG. 2

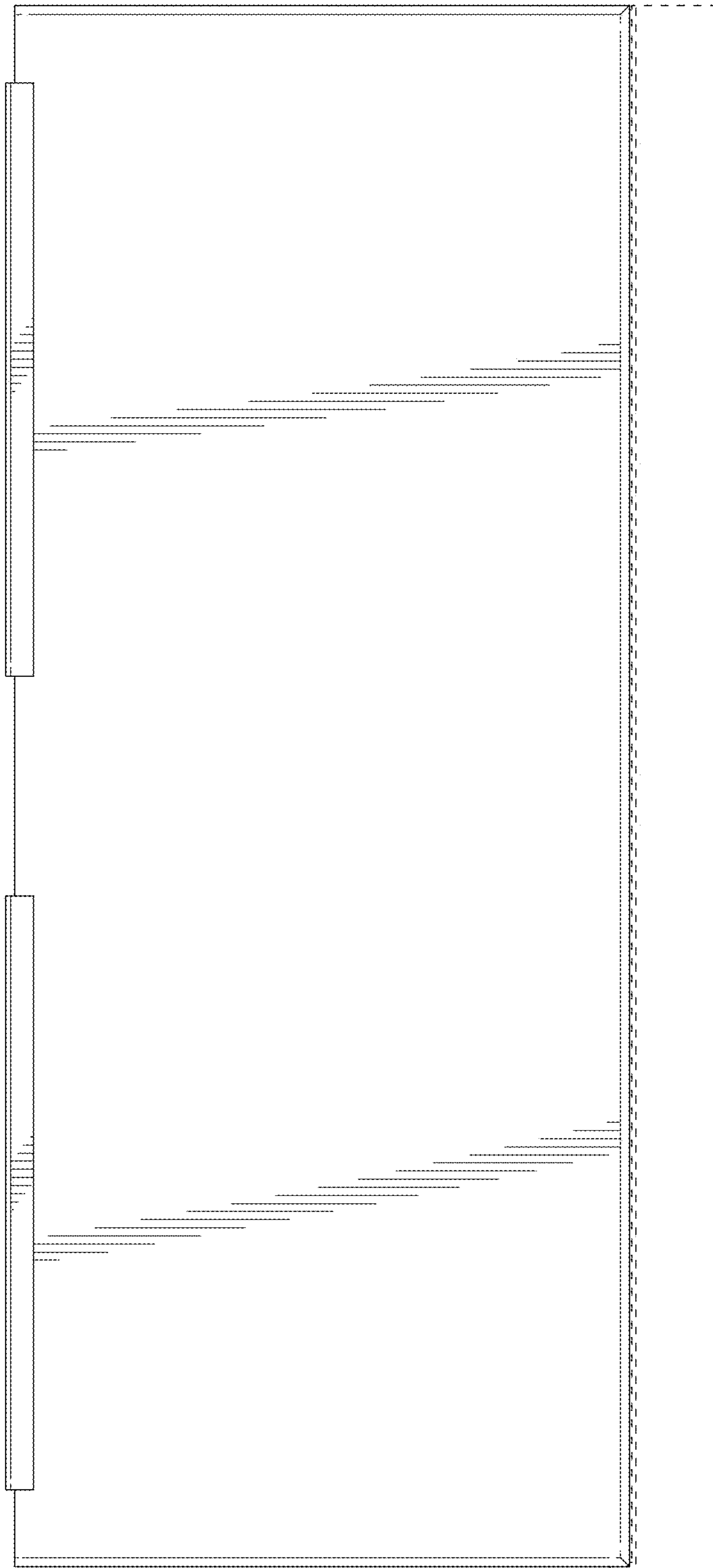


FIG. 3

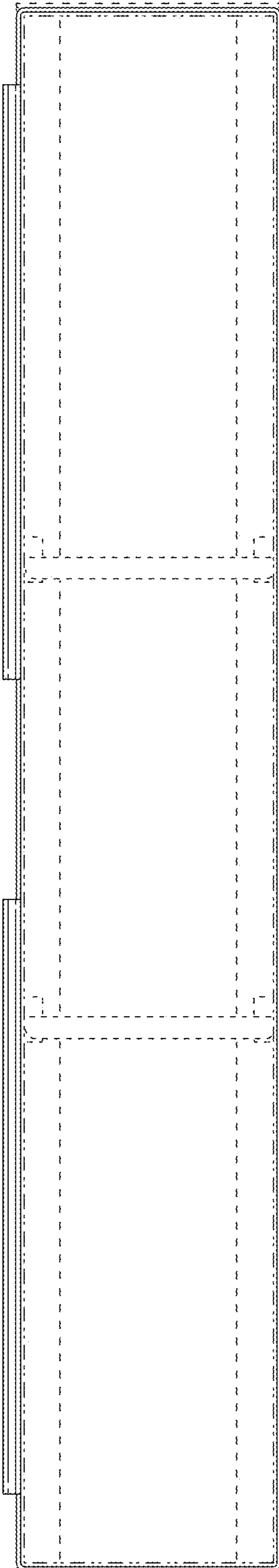


FIG. 4

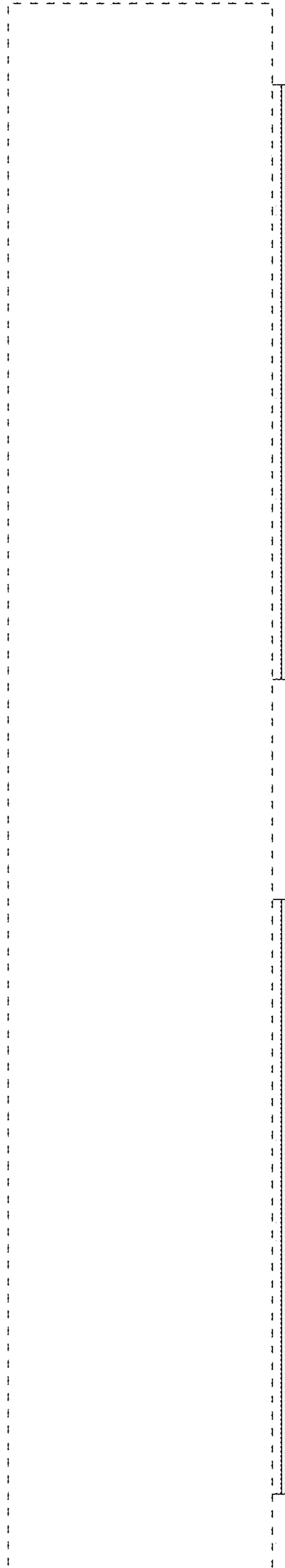


FIG. 5

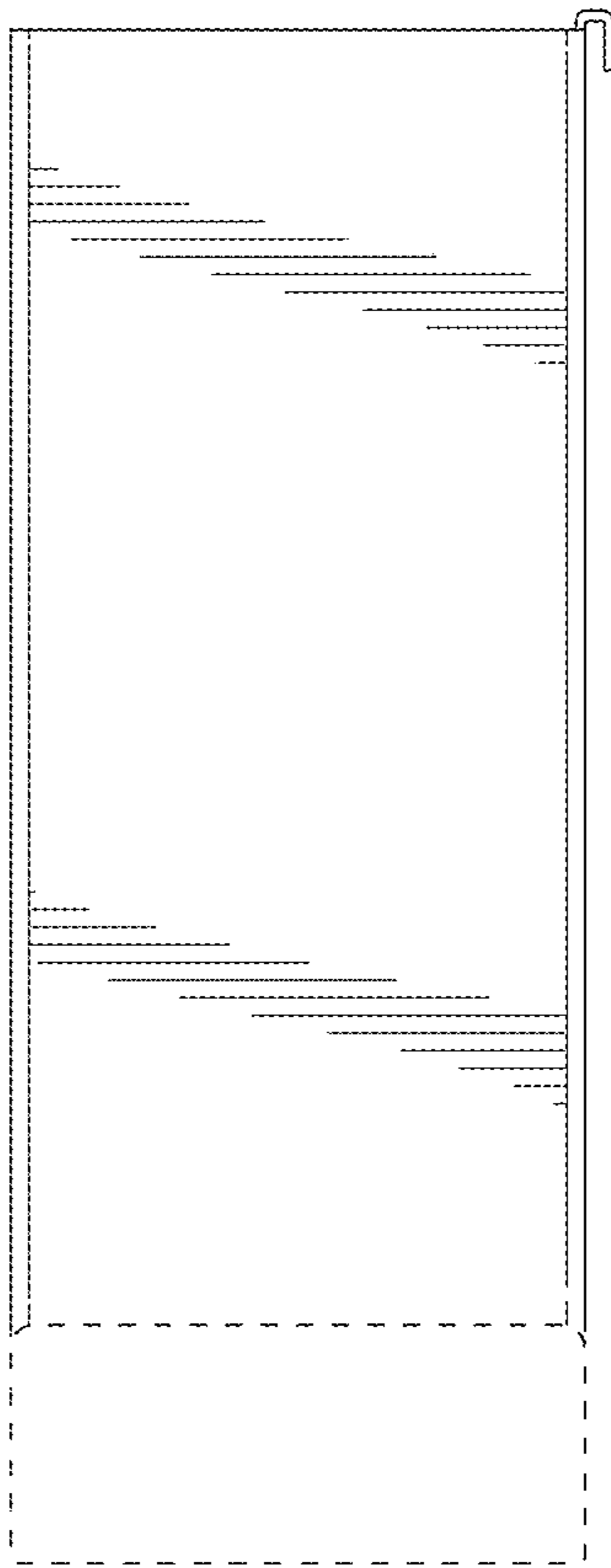


FIG. 6

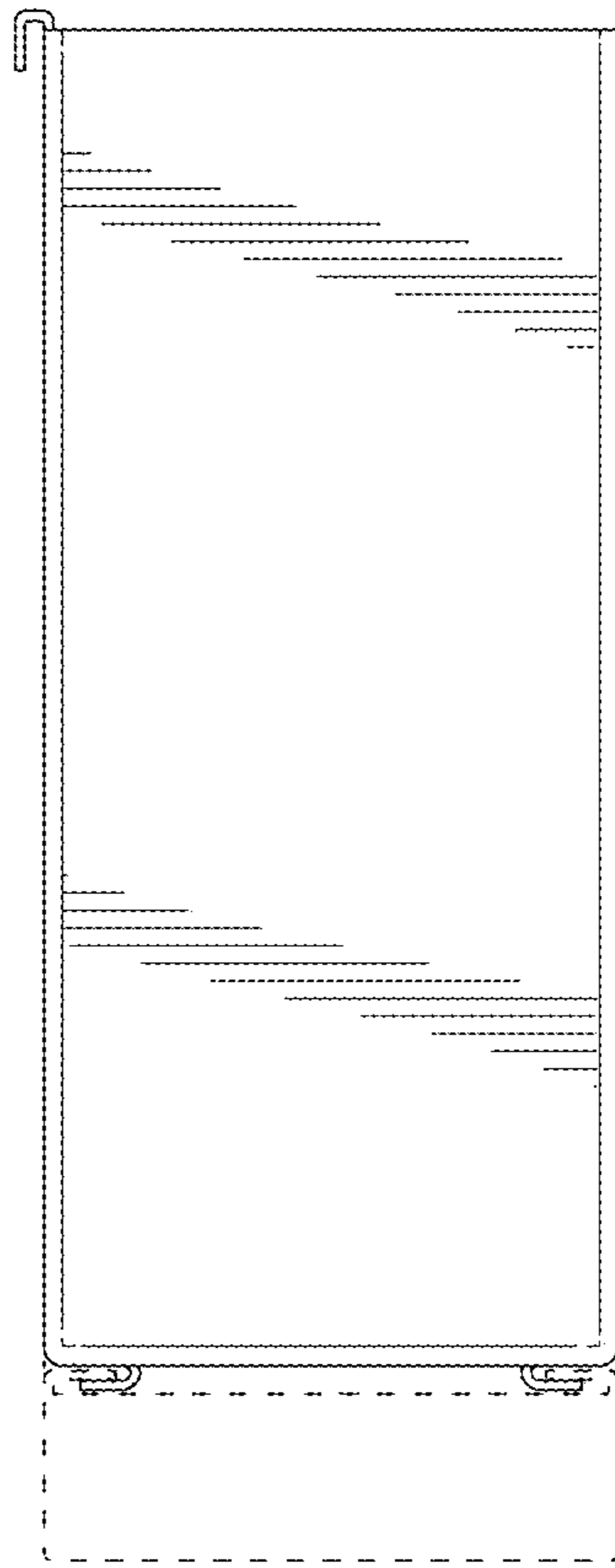


FIG. 7

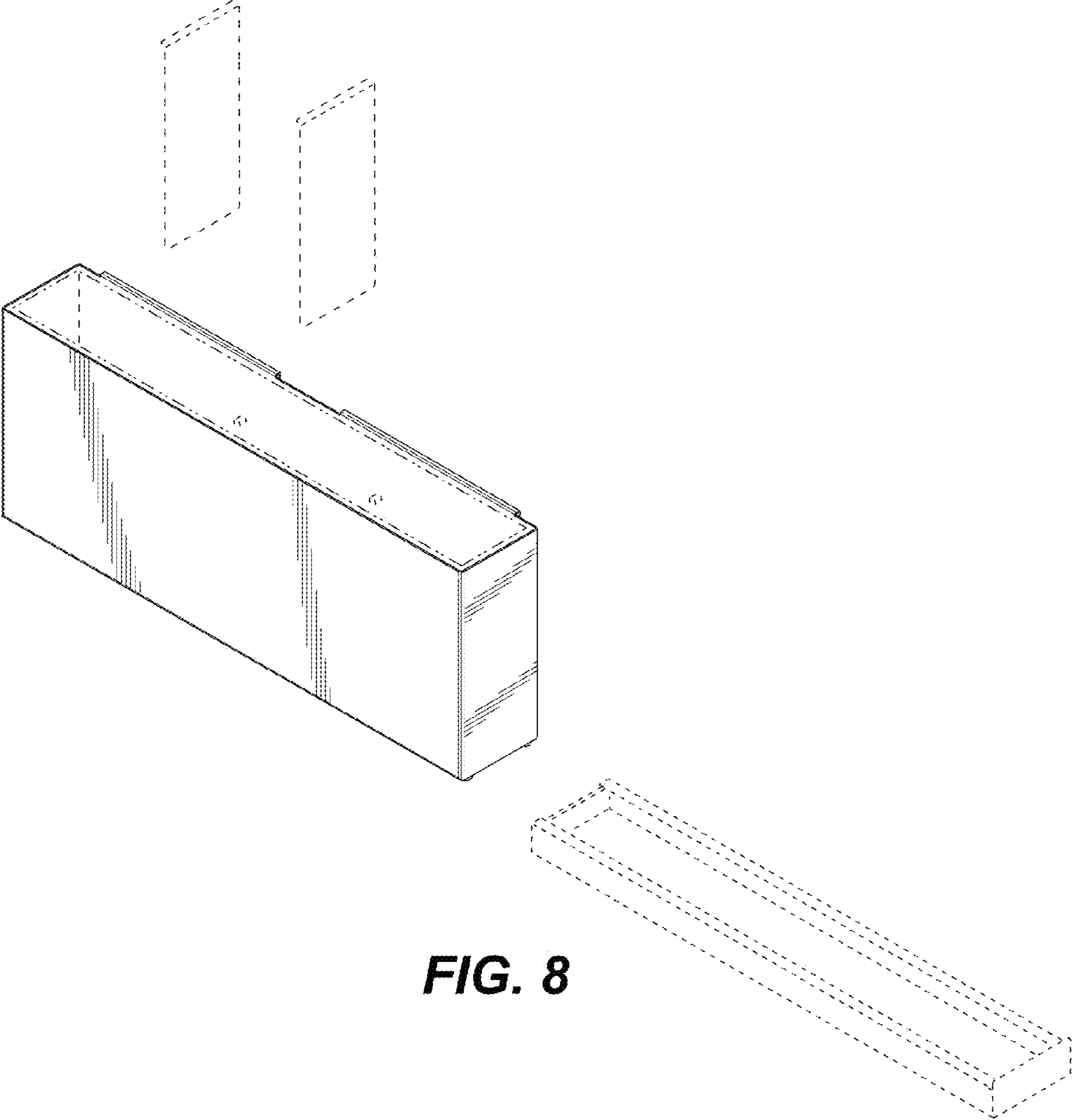


FIG. 8

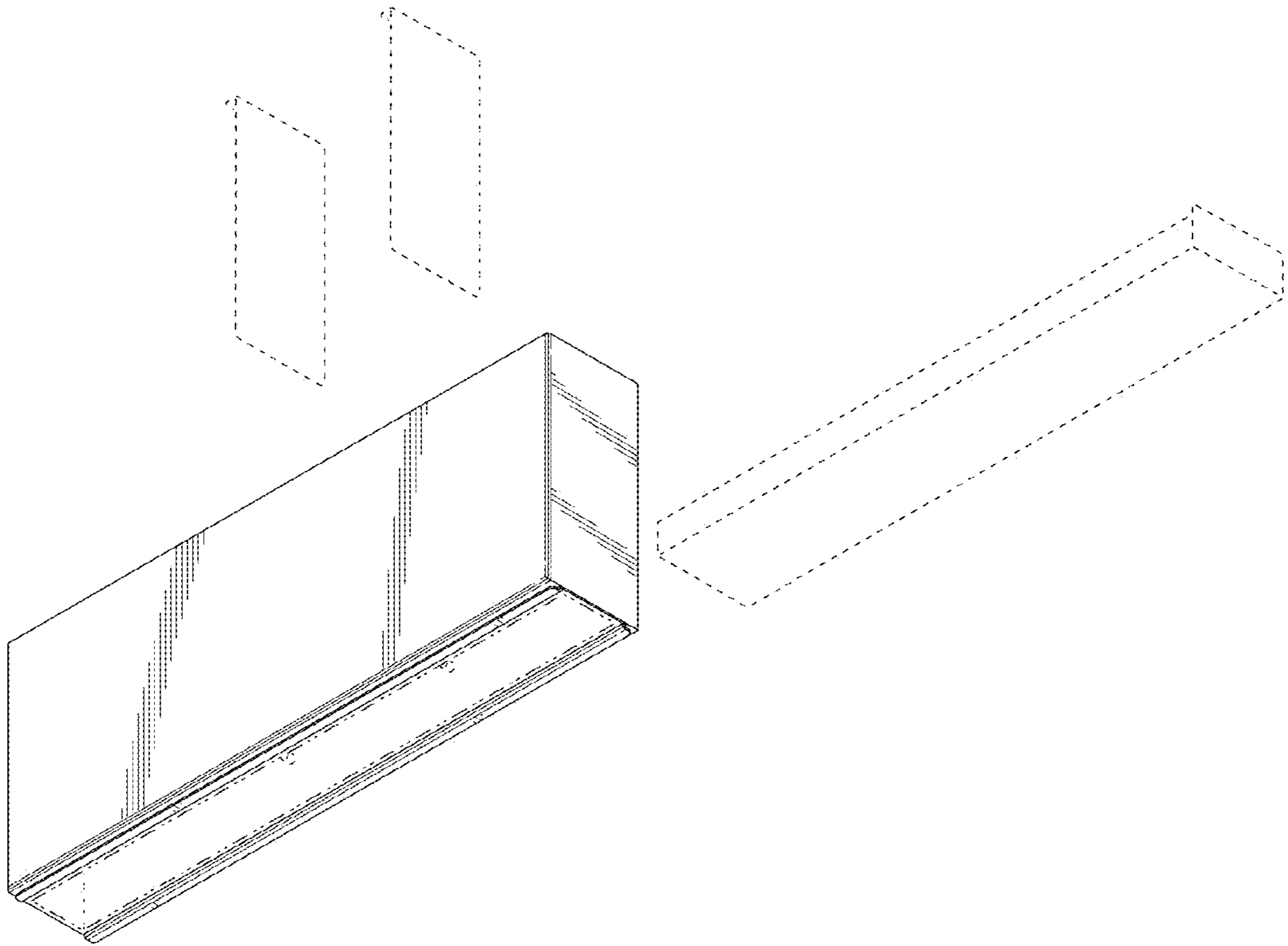


FIG. 9