



US00D967673S

(12) **United States Design Patent**  
**Chen**

(10) **Patent No.:** **US D967,673 S**

(45) **Date of Patent:** **\*\* Oct. 25, 2022**

(54) **MEAL TRAY**

(71) Applicant: **Difei Chen**, Dongguan (CN)

(72) Inventor: **Difei Chen**, Dongguan (CN)

(\*\*) Term: **15 Years**

(21) Appl. No.: **29/791,116**

(22) Filed: **Dec. 30, 2021**

(51) **LOC (13) Cl.** ..... **07-01**

(52) **U.S. Cl.**  
USPC ..... **D7/553.6**

(58) **Field of Classification Search**  
USPC ..... D3/304, 313; D7/500, 550.1, 552.1,  
D7/553.2, 553.6, 554.2, 555, 601-602,  
D7/396.1  
CPC ..... B65D 1/00; B65D 11/00; A47G 19/02;  
A47G 19/06; A47G 19/10; A47G 23/06;  
A47G 23/0633; A47J 47/16

See application file for complete search history.

(56) **References Cited**

**U.S. PATENT DOCUMENTS**

D204,998 S *	6/1966	Klein	.....	D7/552.2
D286,333 S *	10/1986	Fassauer	.....	D30/130
D296,748 S *	7/1988	Pomroy	.....	D7/549
D336,217 S *	6/1993	Picozza	.....	D7/553.6
D351,738 S *	10/1994	LaCombe	.....	D12/416
D353,742 S *	12/1994	Lewis	.....	D7/552.2
5,429,231 A *	7/1995	McSpadden	.....	A47G 19/065 D7/553.6
D376,297 S *	12/1996	Jacobson	.....	D7/552.2
D389,020 S *	1/1998	LaJoie	.....	D7/701
D393,181 S *	4/1998	Panta	.....	D7/552.2

D395,983 S *	7/1998	Panta Chica	.....	D7/552.2
D469,310 S *	1/2003	Bukowski	.....	D7/553.1
D527,953 S *	9/2006	Le Gal	.....	D7/552.1
D545,523 S *	6/2007	Goldberg	.....	D34/11
D605,104 S *	12/2009	Englehart, Jr.	.....	D12/407
D655,136 S *	3/2012	Goodman	.....	D7/553.6
D683,980 S *	6/2013	Johnson	.....	D6/406.3
D732,344 S *	6/2015	Clark	.....	D7/553.1
D819,408 S *	6/2018	Floco	.....	D7/553.6
D833,228 S *	11/2018	Mieszkowski	.....	D9/761
D835,942 S *	12/2018	Koller	.....	D7/552.1
D848,795 S *	5/2019	Butler	.....	D7/553.6
D863,890 S *	10/2019	Norell	.....	D7/553.5
D921,436 S	6/2021	Mertins		

\* cited by examiner

*Primary Examiner* — Kelley A Donnelly

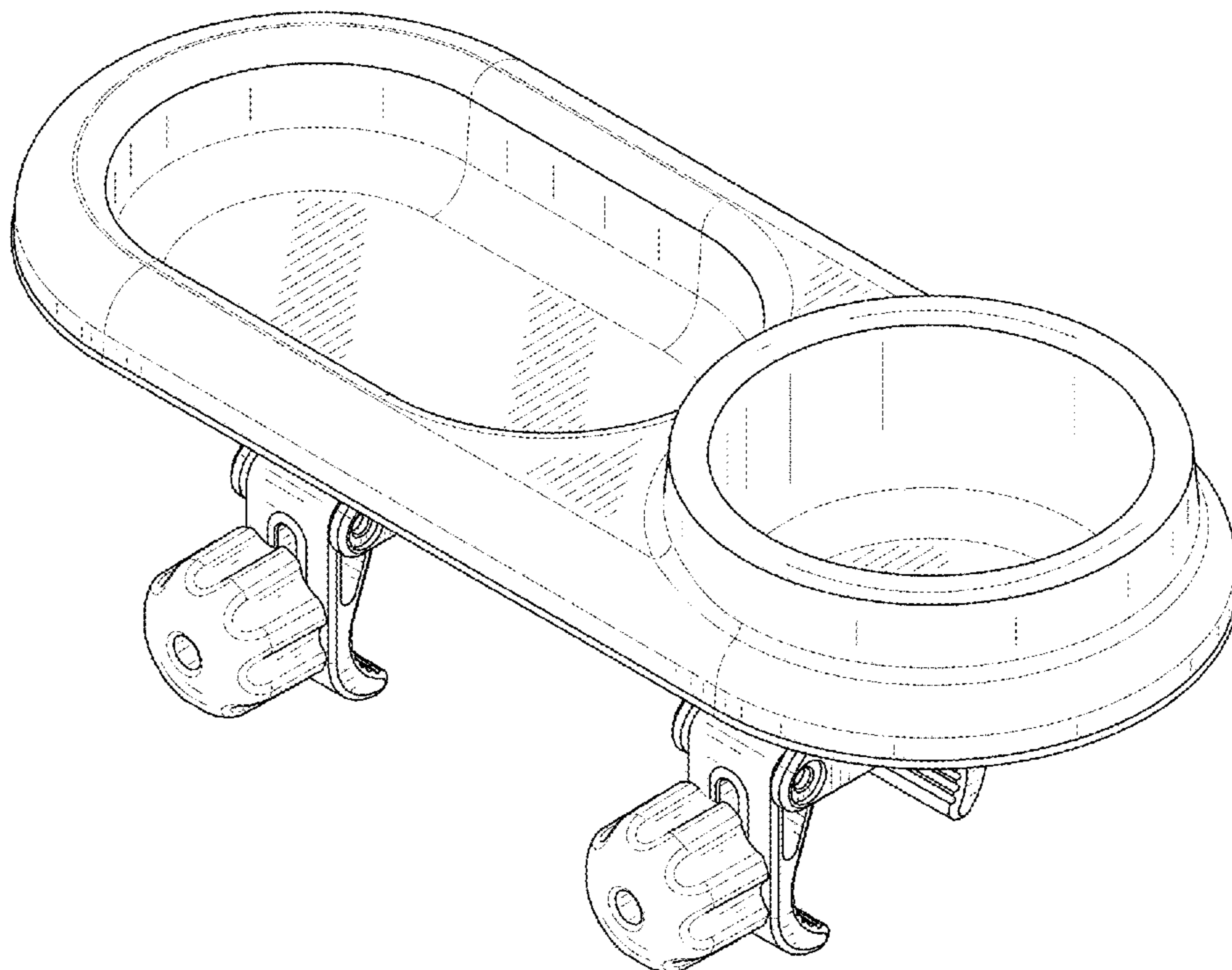
(57) **CLAIM**

The ornamental design for a meal tray, as shown and described.

**DESCRIPTION**

FIG. 1 is a front and top perspective view of a meal tray, showing my new design;  
FIG. 2 is a rear and bottom perspective view thereof;  
FIG. 3 is a front elevation view thereof;  
FIG. 4 is a rear elevation view thereof;  
FIG. 5 is a left side elevation view thereof;  
FIG. 6 is a right side elevation view thereof;  
FIG. 7 is a top plan view thereof;  
FIG. 8 is a bottom plan view thereof; and,  
FIG. 9 is another perspective view thereof, shown in an alternative position.

**1 Claim, 9 Drawing Sheets**



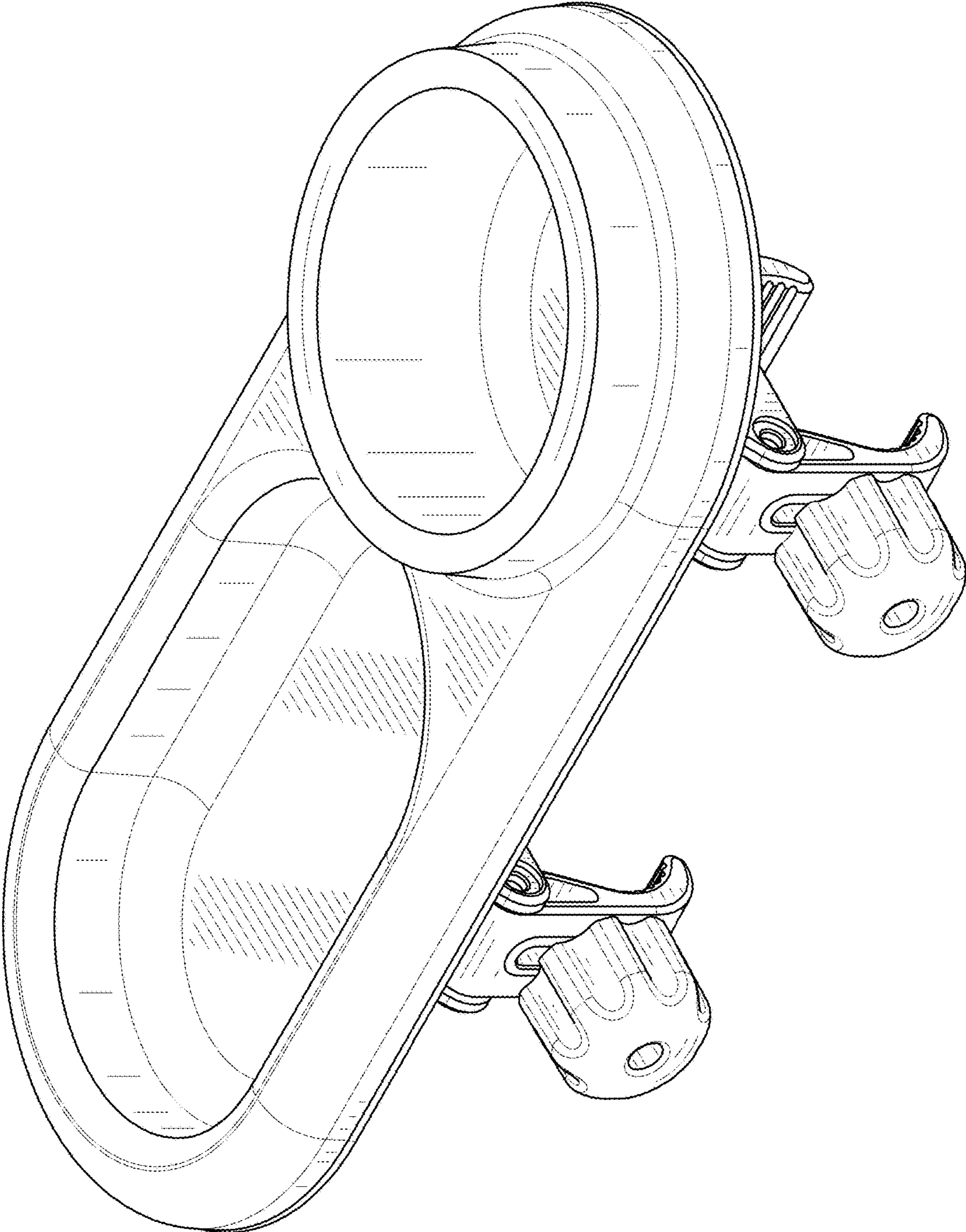


FIG. 1



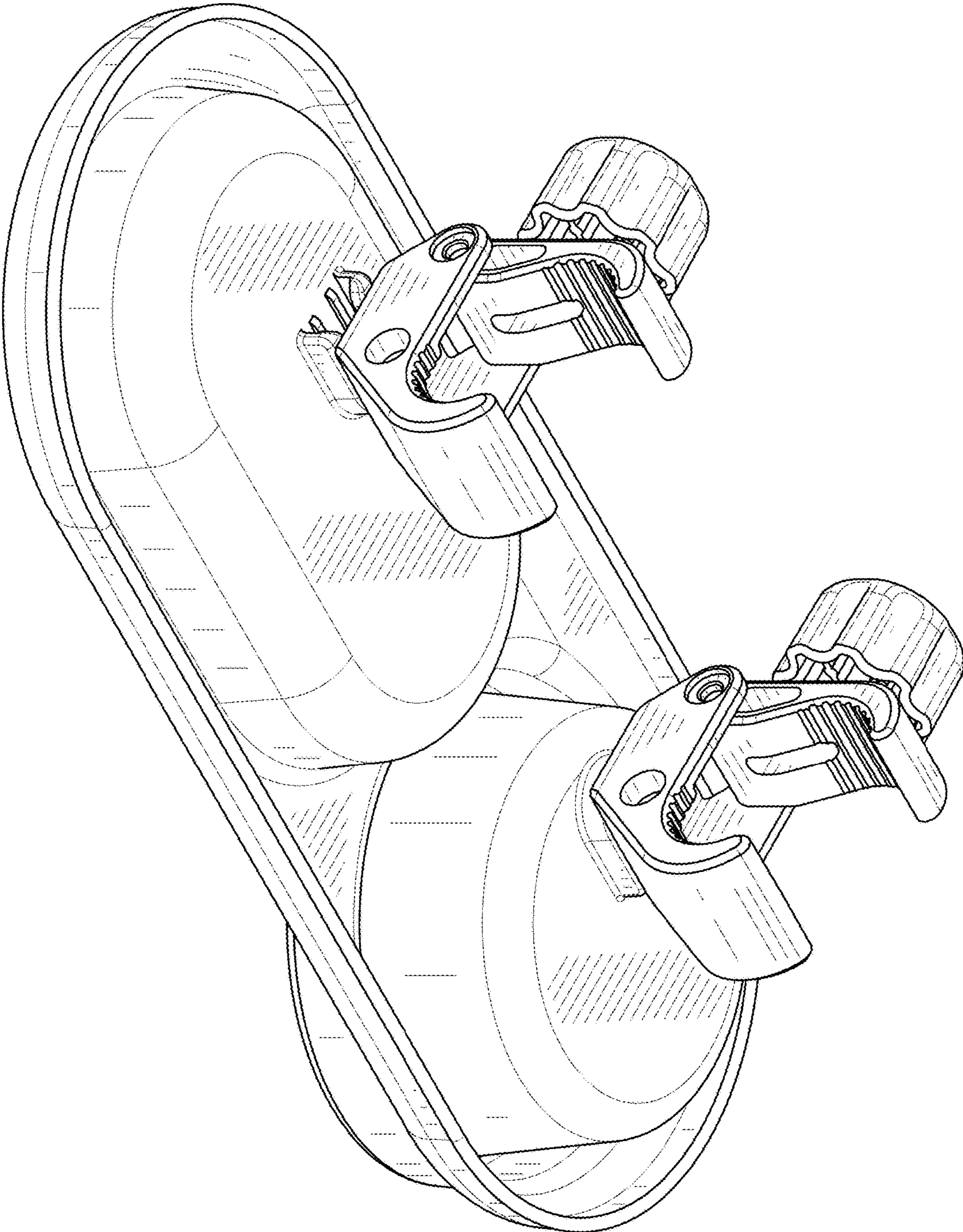


FIG. 2

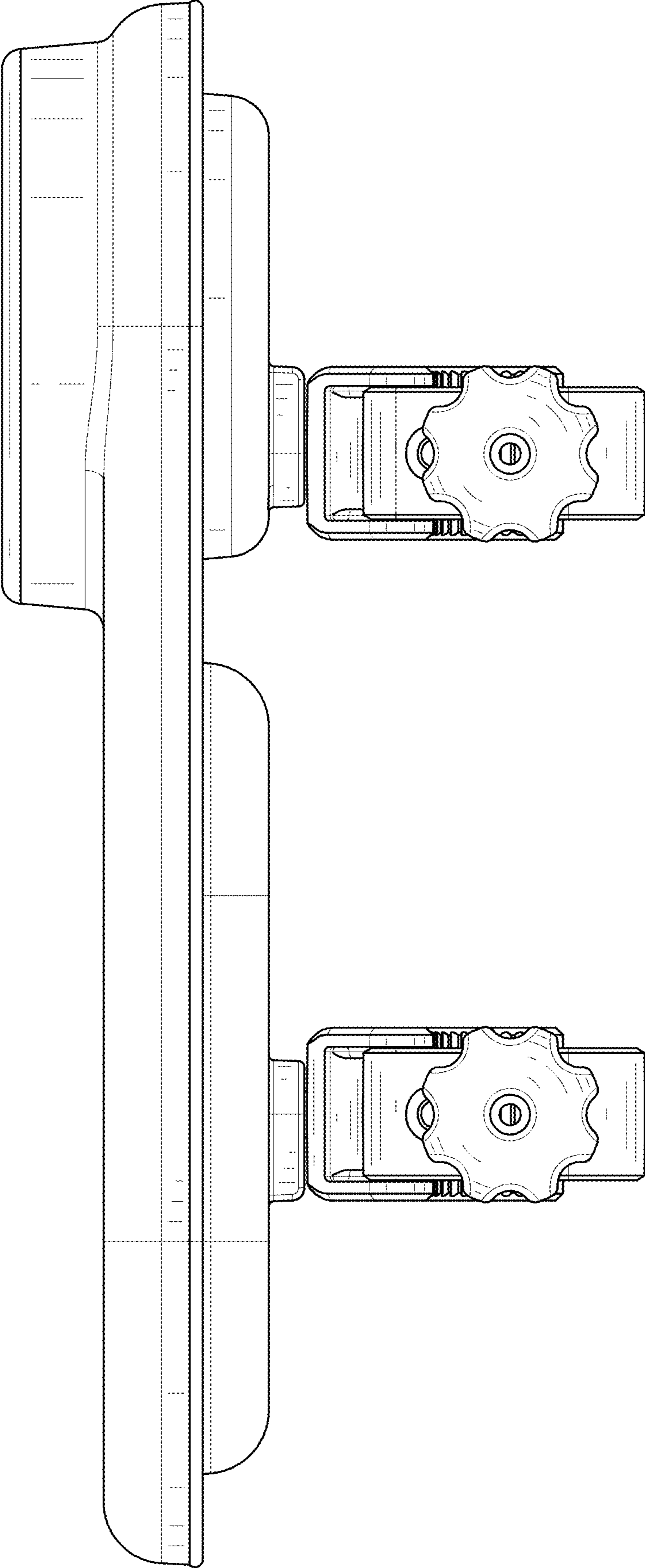


FIG. 3

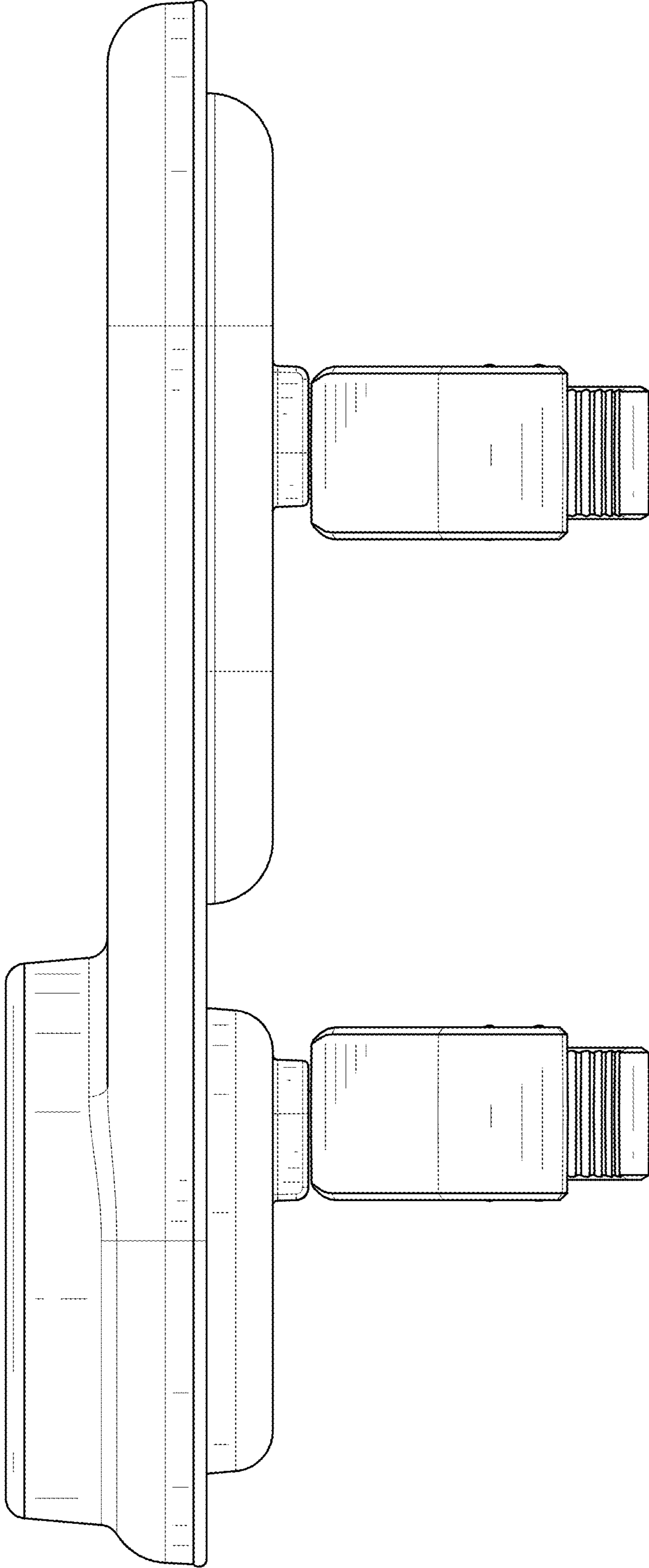


FIG. 4

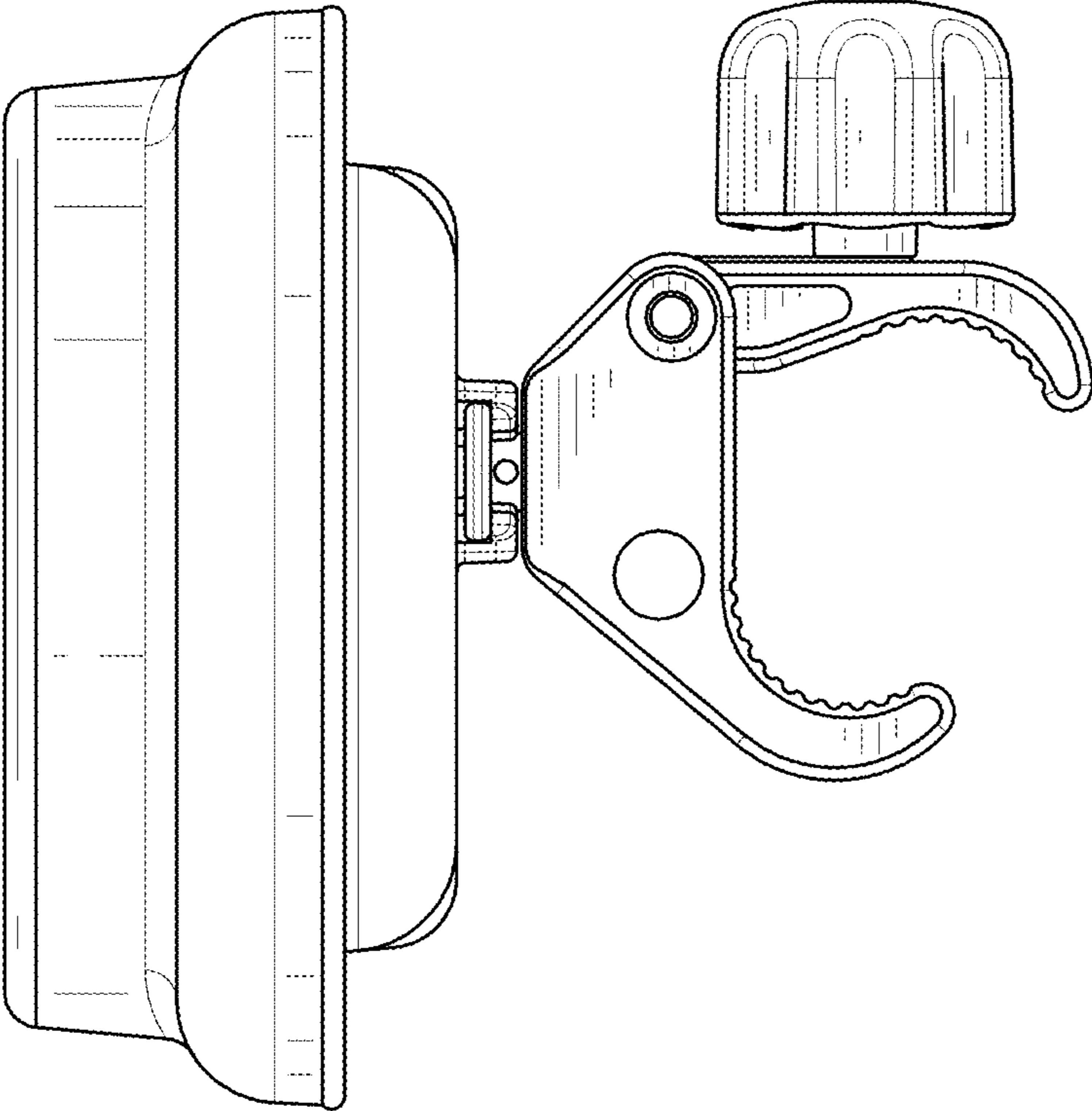


FIG. 5

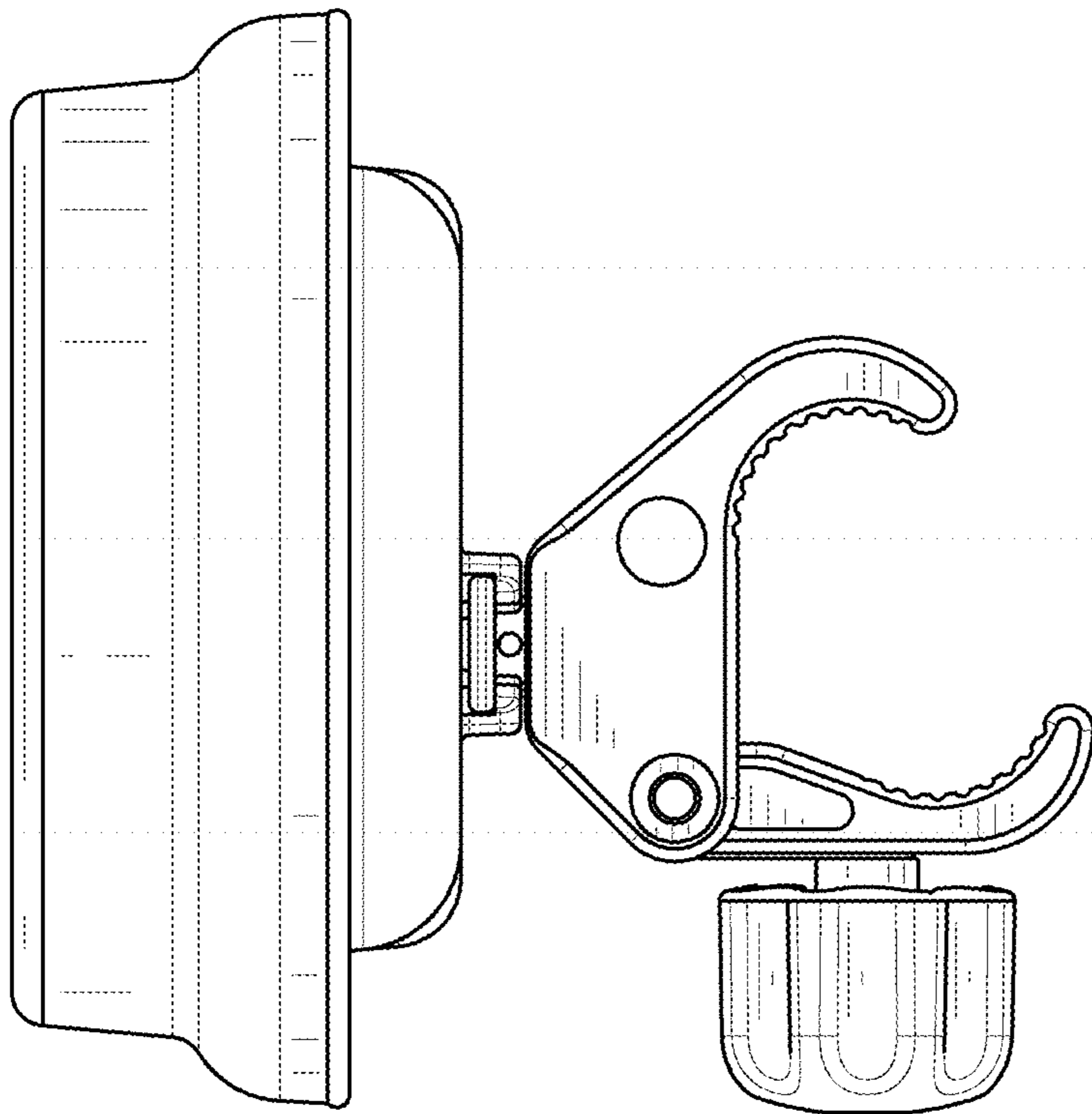


FIG. 6



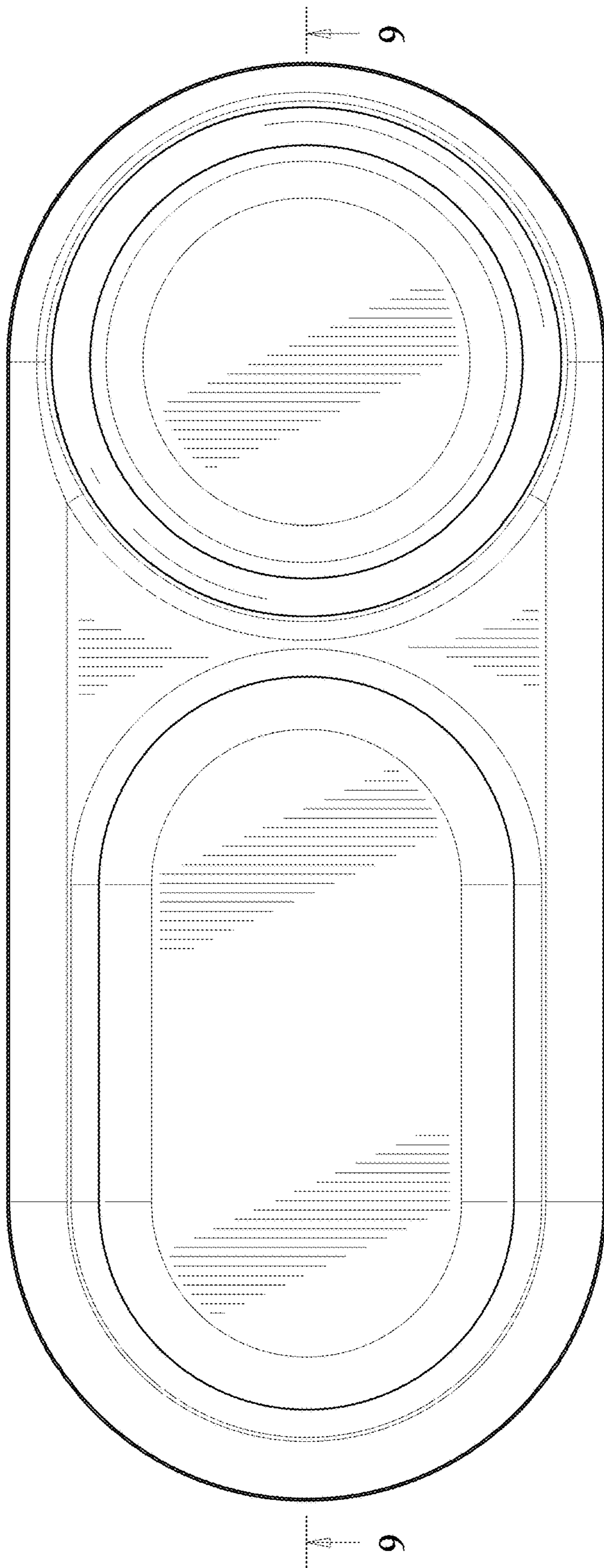


FIG. 7



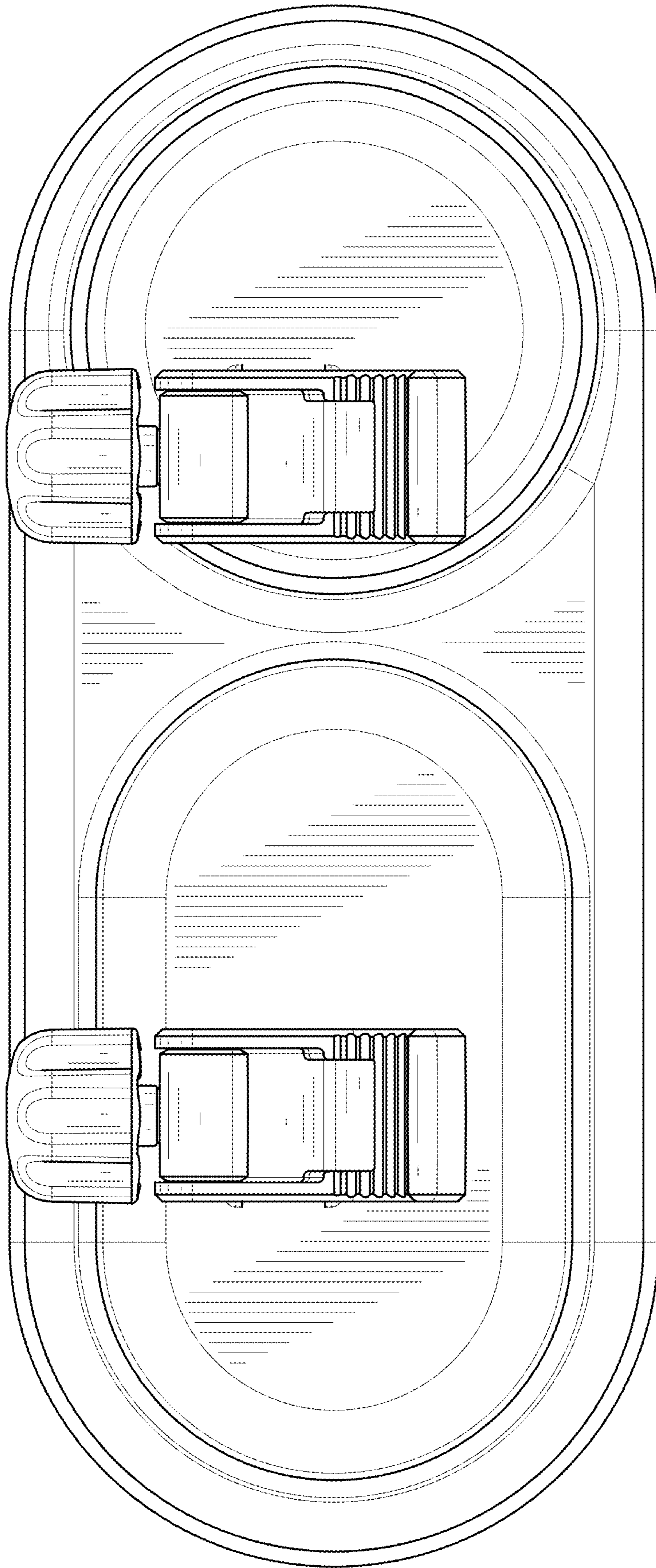


FIG. 8

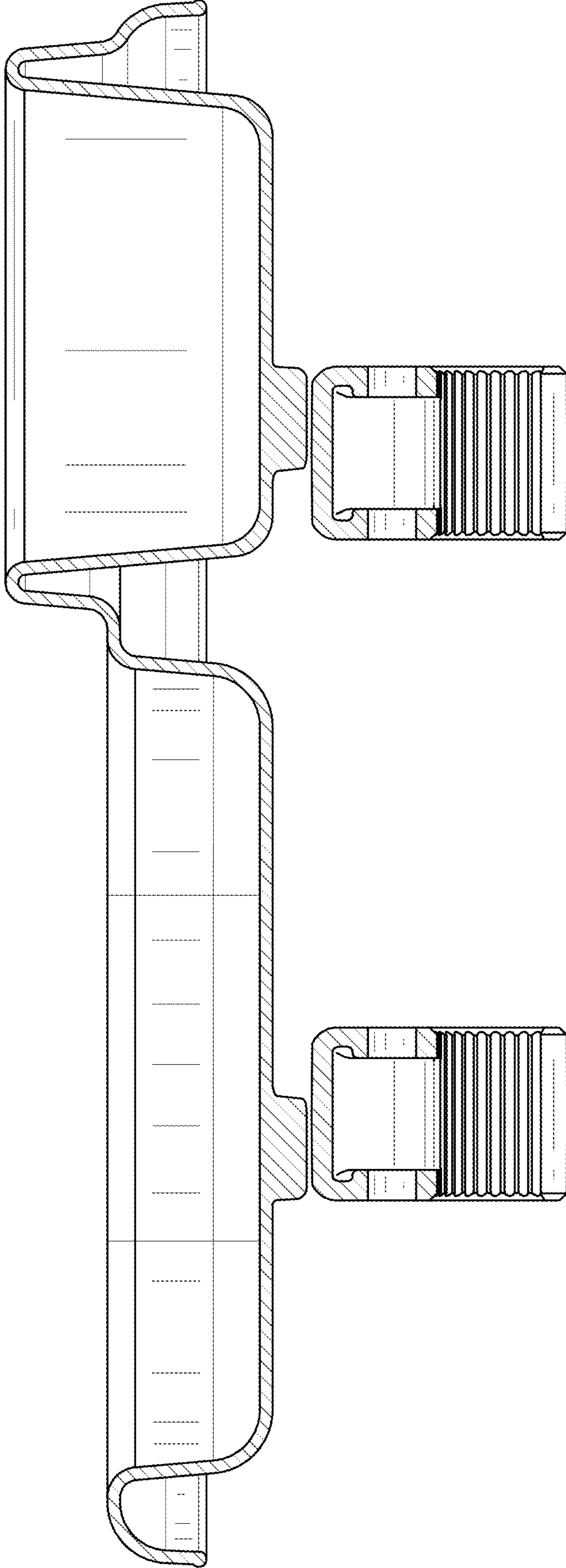


FIG. 9