



US00D967669S

(12) **United States Design Patent**
Munari

(10) **Patent No.:** **US D967,669 S**
(45) **Date of Patent:** **** Oct. 25, 2022**

- (54) **COOKWARE HANDLE**
- (71) Applicant: **LA TERMOPLASTIC F.B.M. S.r.l.**,
Arsago Seprio (IT)
- (72) Inventor: **Marco Munari**, Cardano al Campo (IT)
- (73) Assignee: **LA TERMOPLASTIC F.B.M. S.R.L.**,
Arsago Seprio (IT)

D525,081 S *	7/2006	Munari	D7/395
D527,580 S *	9/2006	Munari	D7/395
D562,063 S *	2/2008	Munari	D7/395
D578,824 S *	10/2008	Munari	D7/395
D589,745 S *	4/2009	Munari	D7/395
D615,810 S *	5/2010	Munari	D7/395
D686,874 S *	7/2013	Rae	D7/395
D692,721 S *	11/2013	Rae	D7/395
D730,686 S *	6/2015	Barberi	D7/395
D845,066 S *	4/2019	Wei Shen	D7/395

- (**) Term: **15 Years**
- (21) Appl. No.: **29/733,636**
- (22) Filed: **May 5, 2020**

- (30) **Foreign Application Priority Data**
Nov. 8, 2019 (EM) 007207212
- (51) **LOC (13) Cl.** **07-02**
- (52) **U.S. Cl.**
USPC **D7/395**
- (58) **Field of Classification Search**
USPC D7/393-396, 387, 323, 354, 360-361,
D7/402, 533-536, 401.2, 398, 391, 619.1;
D8/300, 303, 307, 313, 321, 315, 317,
D8/320, 310, 312; D12/178; D34/27
CPC A47J 45/071; A47J 45/072; A47J 45/074;
A47J 45/07; A47J 45/00; A47J 45/06;
A47J 45/061; A47J 45/062; A47J 45/063;
B65D 25/2802; B65D 25/2882
See application file for complete search history.

- (56) **References Cited**
U.S. PATENT DOCUMENTS
D490,270 S * 5/2004 Pippel D7/395
D491,764 S * 6/2004 Munari D7/395
D510,233 S * 10/2005 Giannone D7/395

OTHER PUBLICATIONS

The New Italian Design Cookware Handle: F.B.M.'s Elegant NIKA, La Termoplastic F.B.M. [online], published May 11, 2020, [retrieved on Mar. 4, 2022]. Retrieved from the Internet, URL: <https://blog.fbm.eu/italian-design-cookware-handle-f.b.ms-elegant-nika>.*

* cited by examiner

Primary Examiner — Nicole C Shiflet
(74) *Attorney, Agent, or Firm* — Cantor Colburn LLP

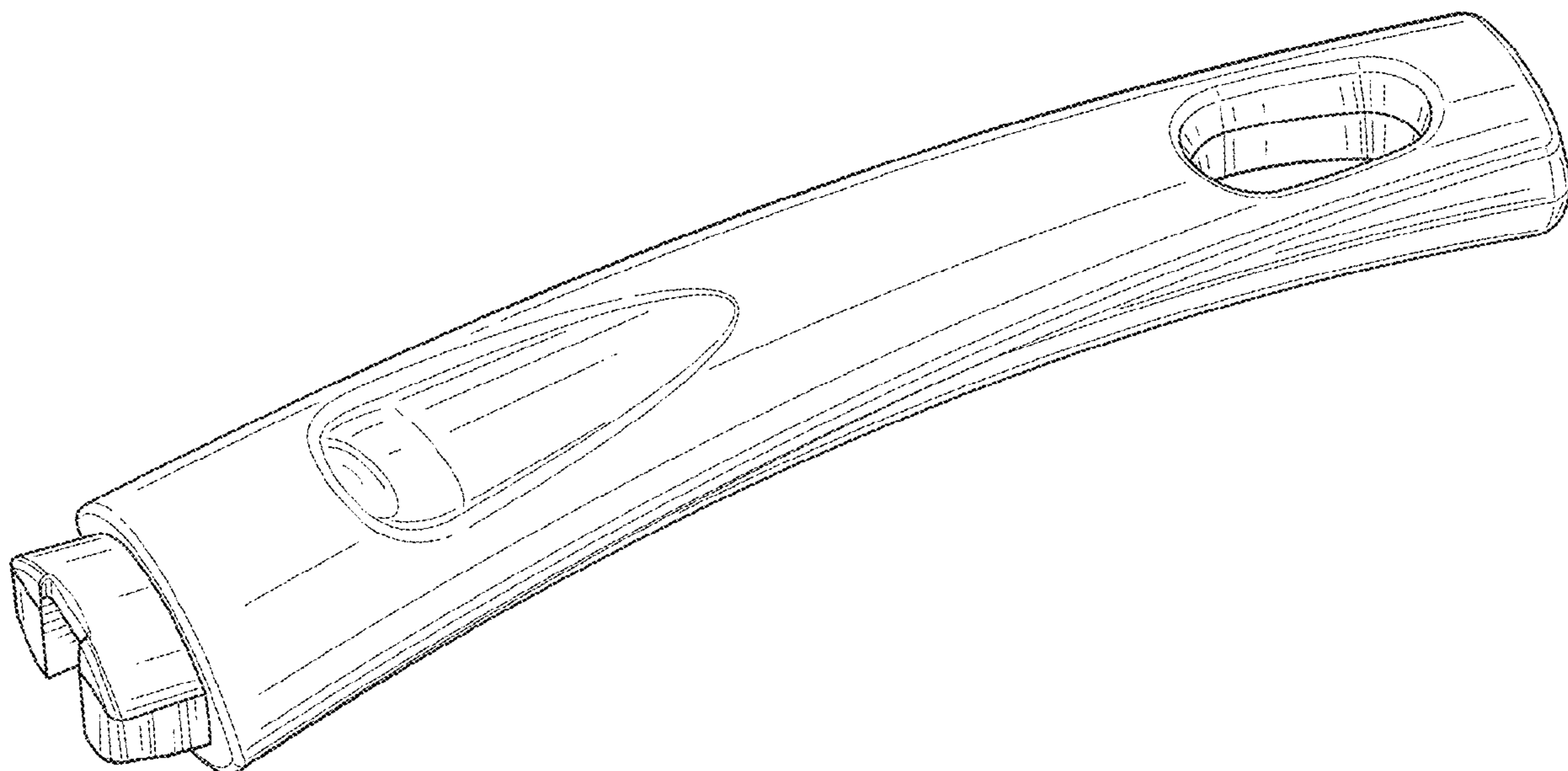
(57) **CLAIM**

The ornamental design for a cookware handle, as shown and described.

DESCRIPTION

FIG. 1 is a top perspective view of a cookware handle, showing my new design;
FIG. 2 is a top elevation view thereof;
FIG. 3 is a bottom elevation view thereof;
FIG. 4 is a left side elevation view thereof;
FIG. 5 is a right side elevation view thereof;
FIG. 6 is a front elevation view thereof;
FIG. 7 is a rear elevation view thereof;
FIG. 8 is a bottom perspective view thereof; and,
FIG. 9 is another top perspective view thereof.

1 Claim, 6 Drawing Sheets



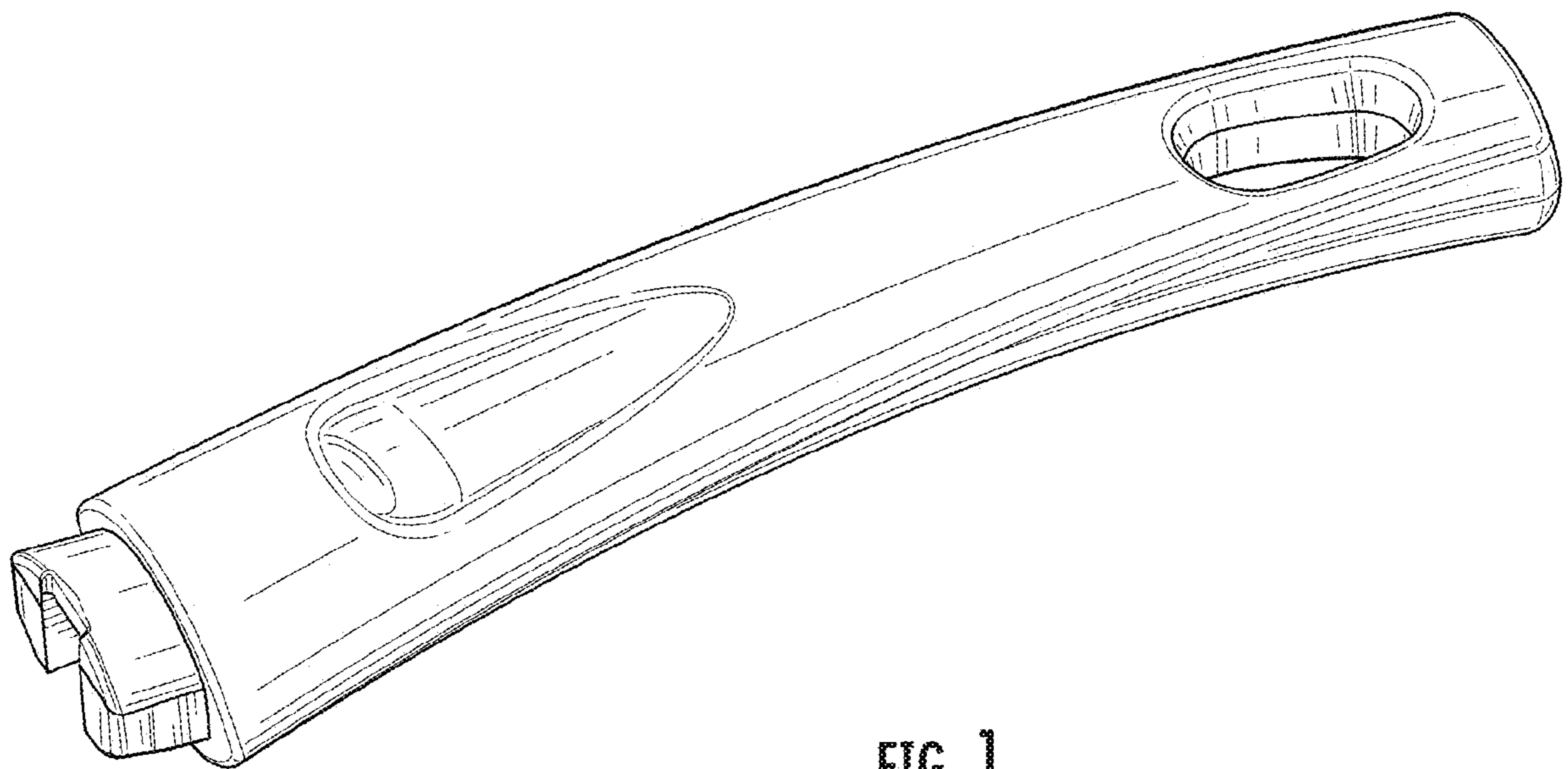


FIG. 1

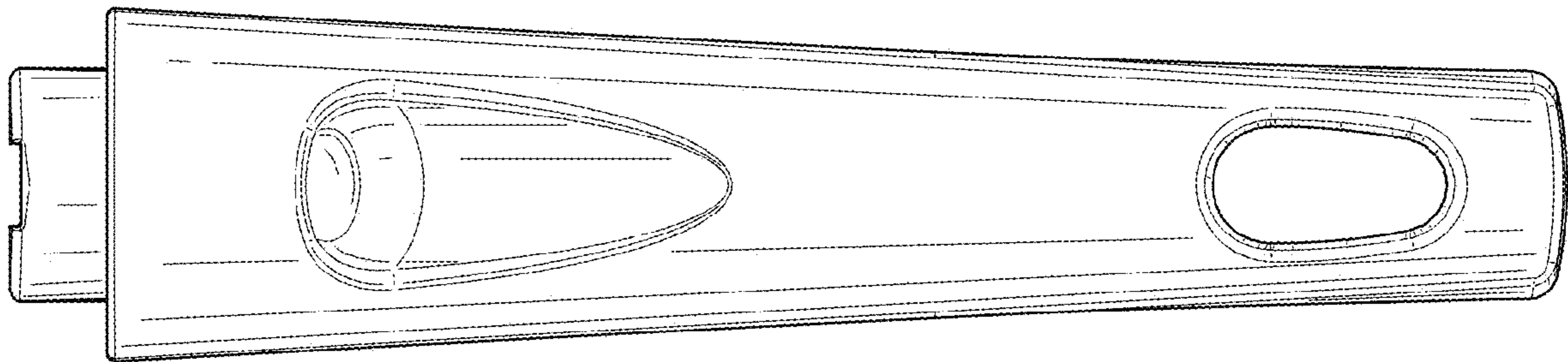


FIG. 2

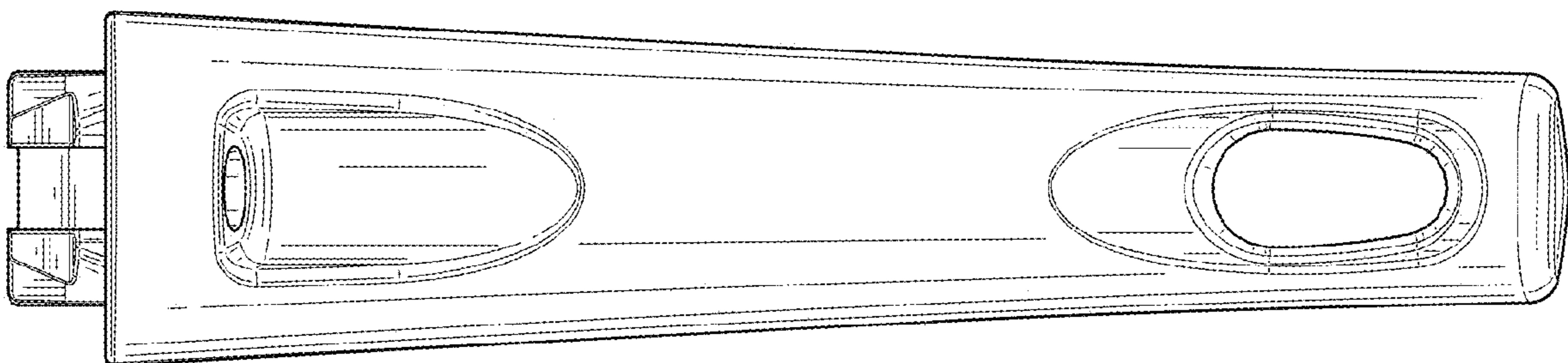


FIG. 3



FIG. 4

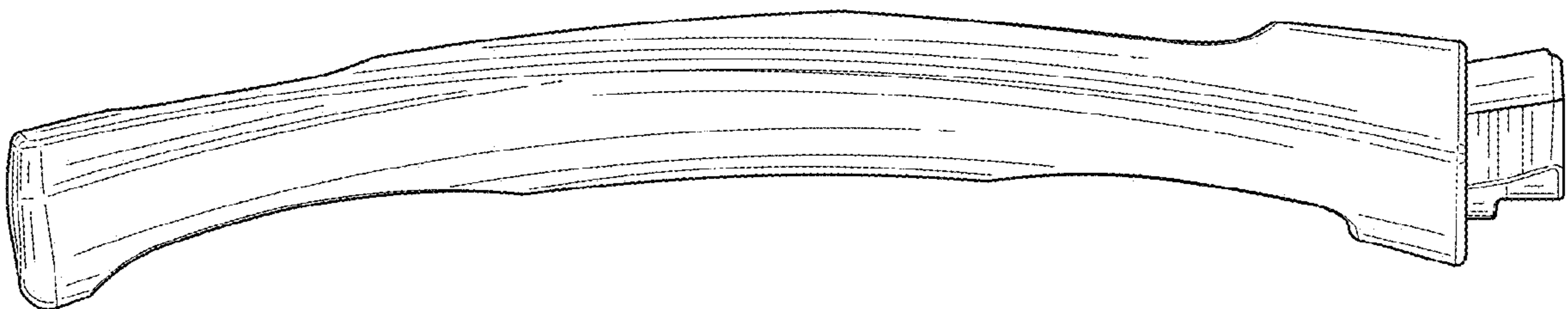


FIG. 5

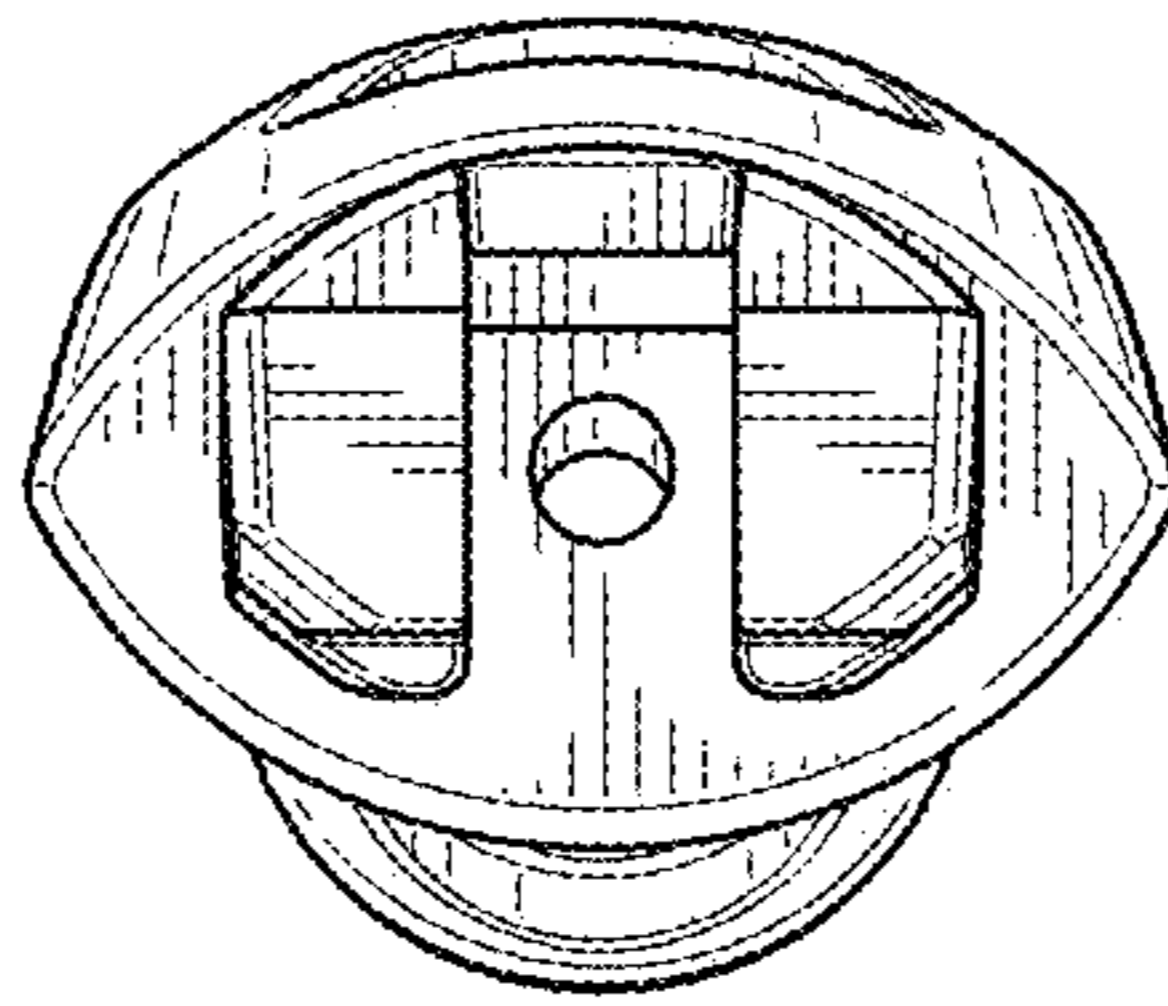


FIG. 6

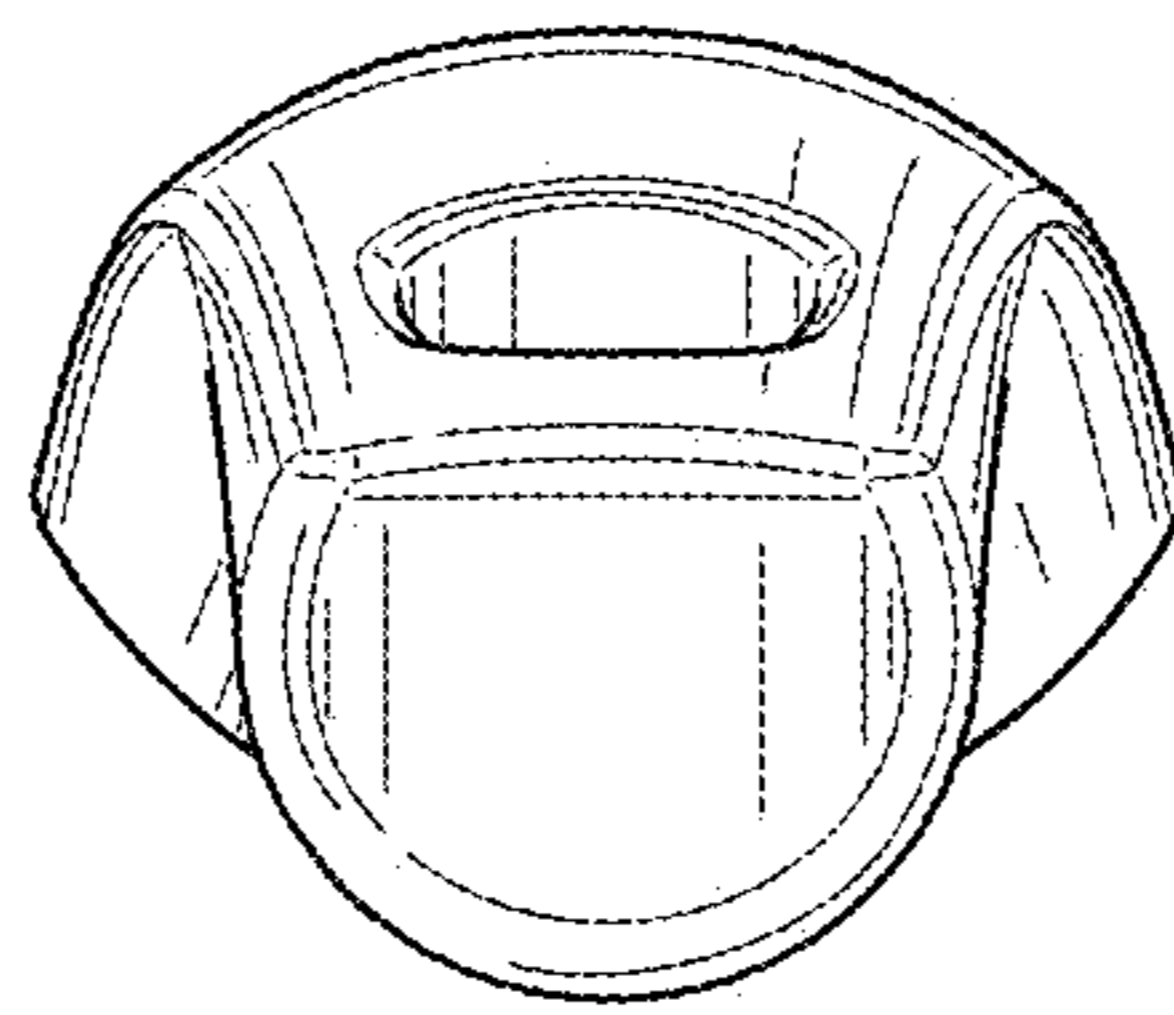


FIG. 7

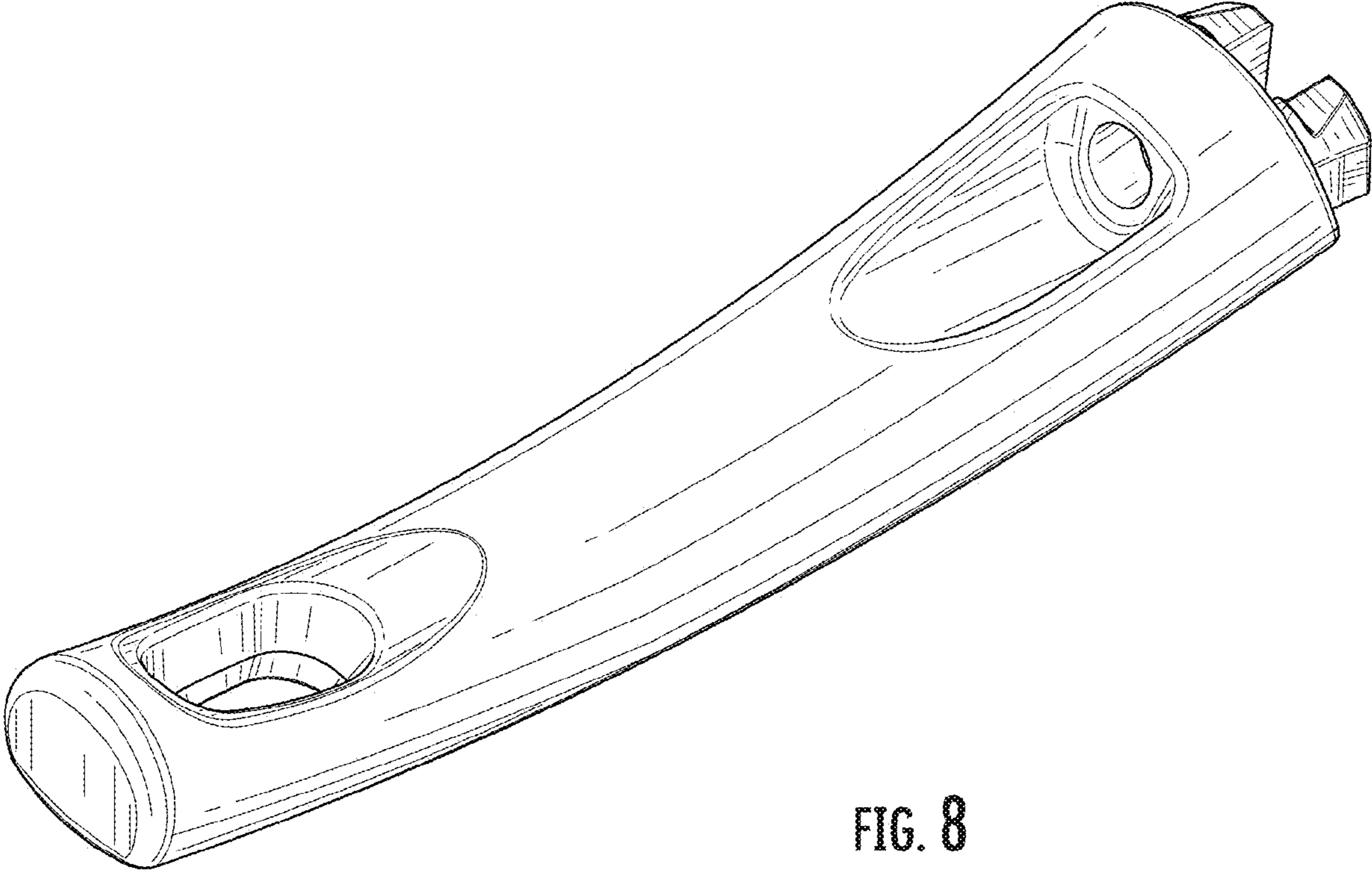


FIG. 8

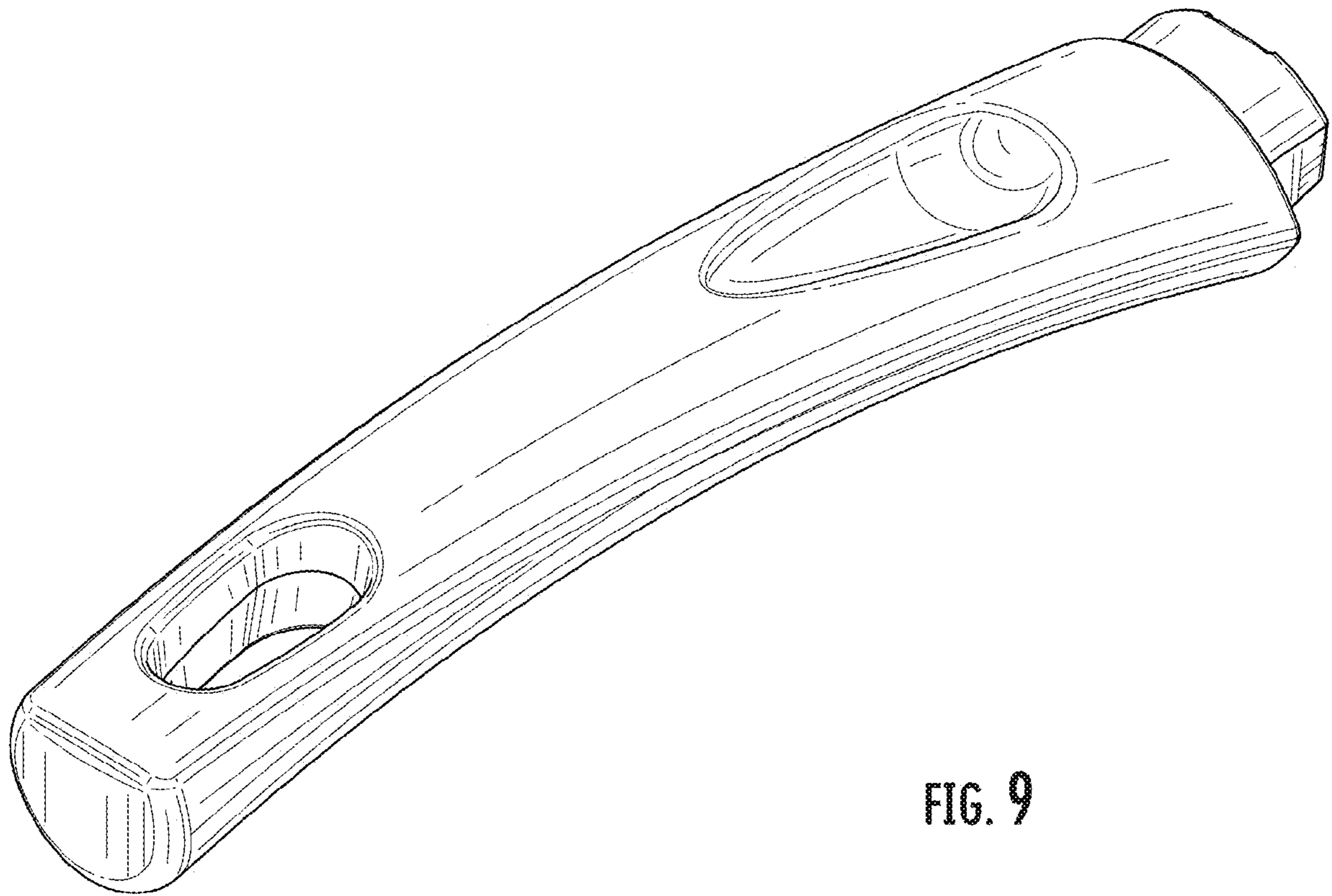


FIG. 9