

US00D967668S

(12) **United States Design Patent**
Deng

(10) **Patent No.:** **US D967,668 S**

(45) **Date of Patent:** **** Oct. 25, 2022**

(54) **LID FOR BEVERAGE CONTAINER**

(71) Applicant: **Haishan Deng**, Katy, TX (US)

(72) Inventor: **Haishan Deng**, Katy, TX (US)

(73) Assignee: **GOVO, LLC**, Katy, TX (US)

(**) Term: **15 Years**

(21) Appl. No.: **29/768,635**

(22) Filed: **Jan. 31, 2021**

D583,234 S *	12/2008	Lohrman	D9/449
D627,641 S *	11/2010	Mazurkiewicz	D9/449
D655,604 S *	3/2012	Molina	D9/449
D671,001 S *	11/2012	Wisniewski	D9/449
D710,698 S *	8/2014	Giraud	D9/449
D789,737 S *	6/2017	Eyal	D7/300.1
D842,107 S *	3/2019	Bardet	D9/449
D843,164 S *	3/2019	Chen	D7/391
D850,259 S *	6/2019	Wiggins	D9/449
D867,140 S *	11/2019	Levy	D9/449
D881,004 S *	4/2020	Giraud	D9/454
D899,849 S *	10/2020	Zhang	D9/449
D927,974 S *	8/2021	Lubbe	D9/447
D937,037 S *	11/2021	Chen	D7/392.1
D940,500 S *	1/2022	Bannister	D7/378

* cited by examiner

Related U.S. Application Data

(63) Continuation-in-part of application No. 16/937,583, filed on Jul. 24, 2020.

(51) **LOC (13) Cl.** **07-99**

(52) **U.S. Cl.**
USPC **D7/392.1**

(58) **Field of Classification Search**
USPC D7/387, 391, 392, 392.1, 396.1, 396.2;
D9/438, 440, 443, 434, 435, 439, 446,
D9/447, 449, 454
CPC B65D 81/3841; B65D 81/3839; B65D
41/0414; B65D 85/72
See application file for complete search history.

(56) **References Cited**

U.S. PATENT DOCUMENTS

D288,667 S *	3/1987	Miner	D9/453
D320,746 S *	10/1991	Bolen, Jr.	D9/434
D355,121 S *	2/1995	Kohl	D9/447
D511,685 S *	11/2005	Choi	D9/449
D531,035 S *	10/2006	Pugne	D9/449

Primary Examiner — Catherine S Posthauer

(57) **CLAIM**

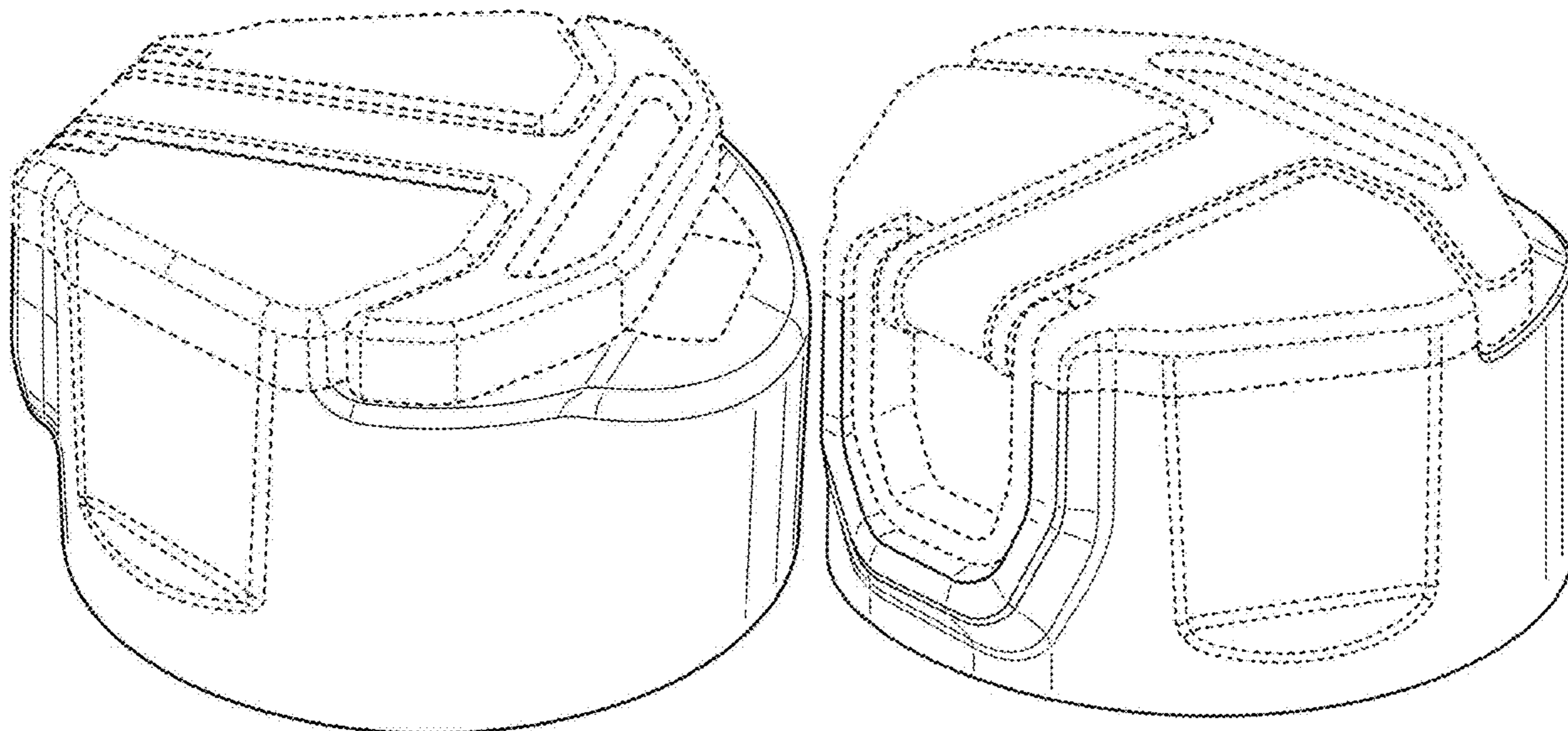
I claim the ornamental design for a lid for beverage container, as shown and described.

DESCRIPTION

FIG. 1 is a front/left/top perspective view of a lid for beverage container showing my new design;
FIG. 2 is a rear/left/top perspective view thereof;
FIG. 3 is a front elevational view thereof;
FIG. 4 is a rear elevational view thereof;
FIG. 5 is a right elevational view thereof (the left elevational view is a mirror image thereof);
FIG. 6 is a top view thereof; and,
FIG. 7 is a bottom view thereof.

The broken lines are shown for the purpose of illustrating parts of the article that form no part of the claimed design.

1 Claim, 7 Drawing Sheets



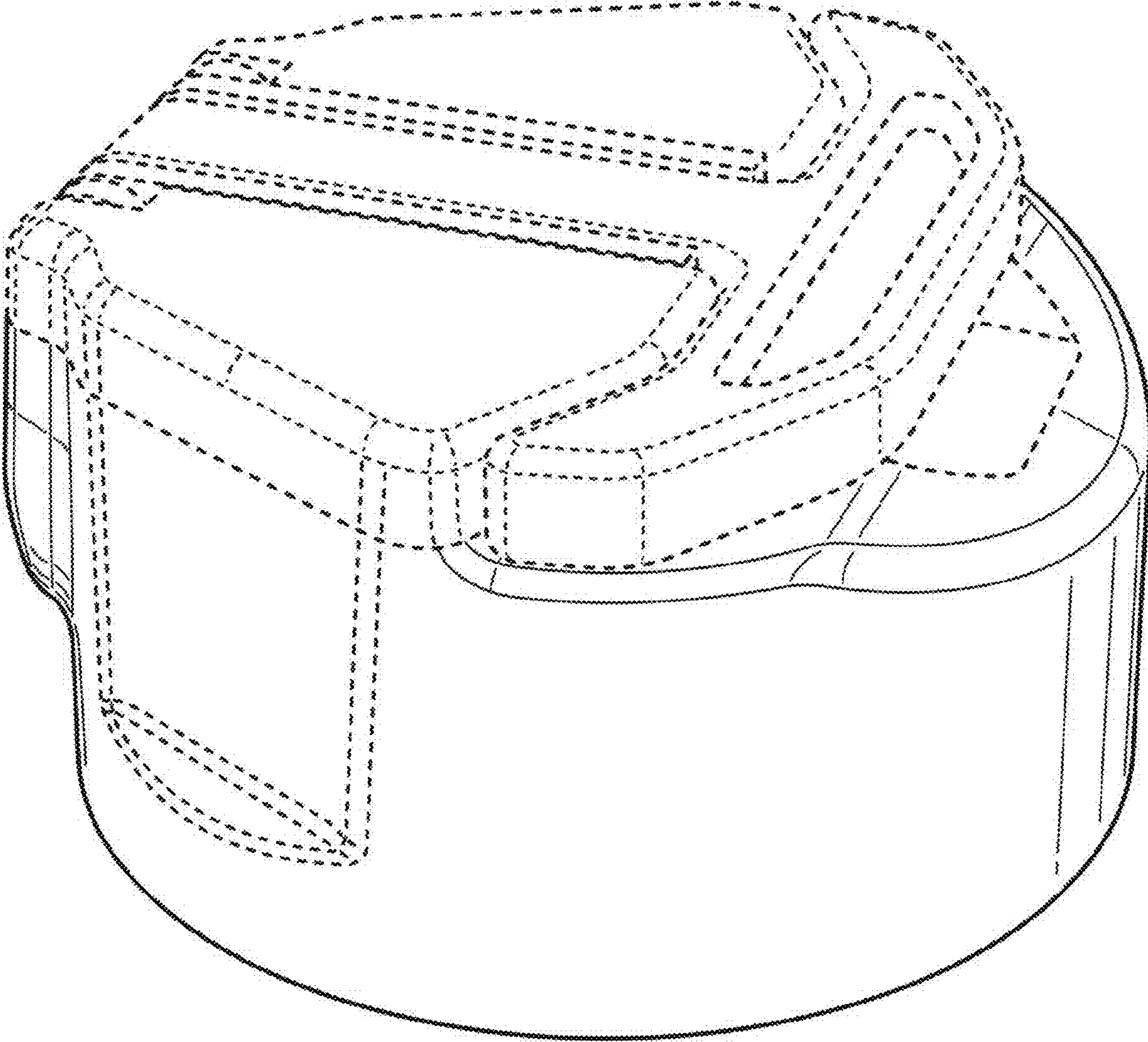


Fig. 1

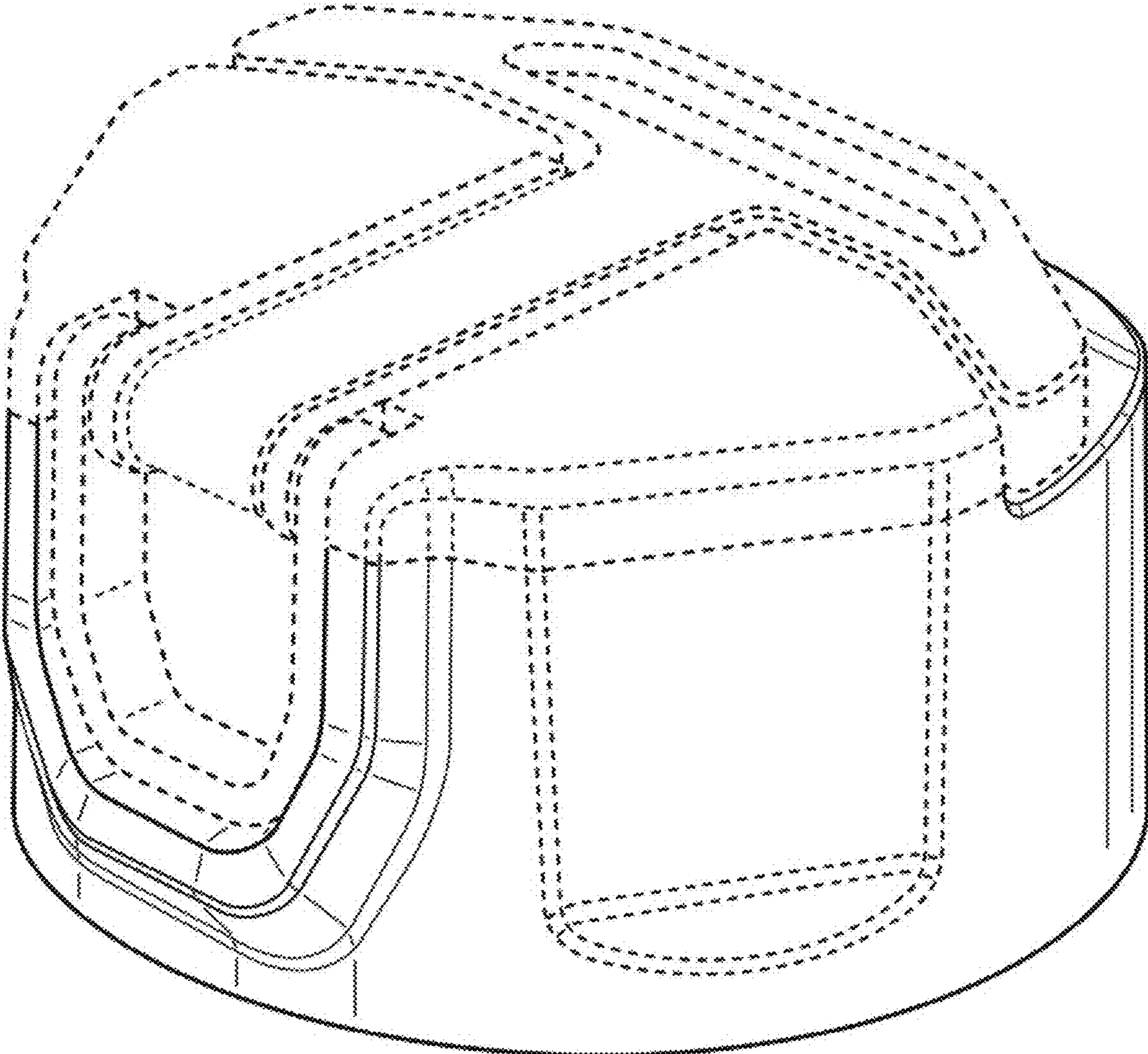


Fig. 2

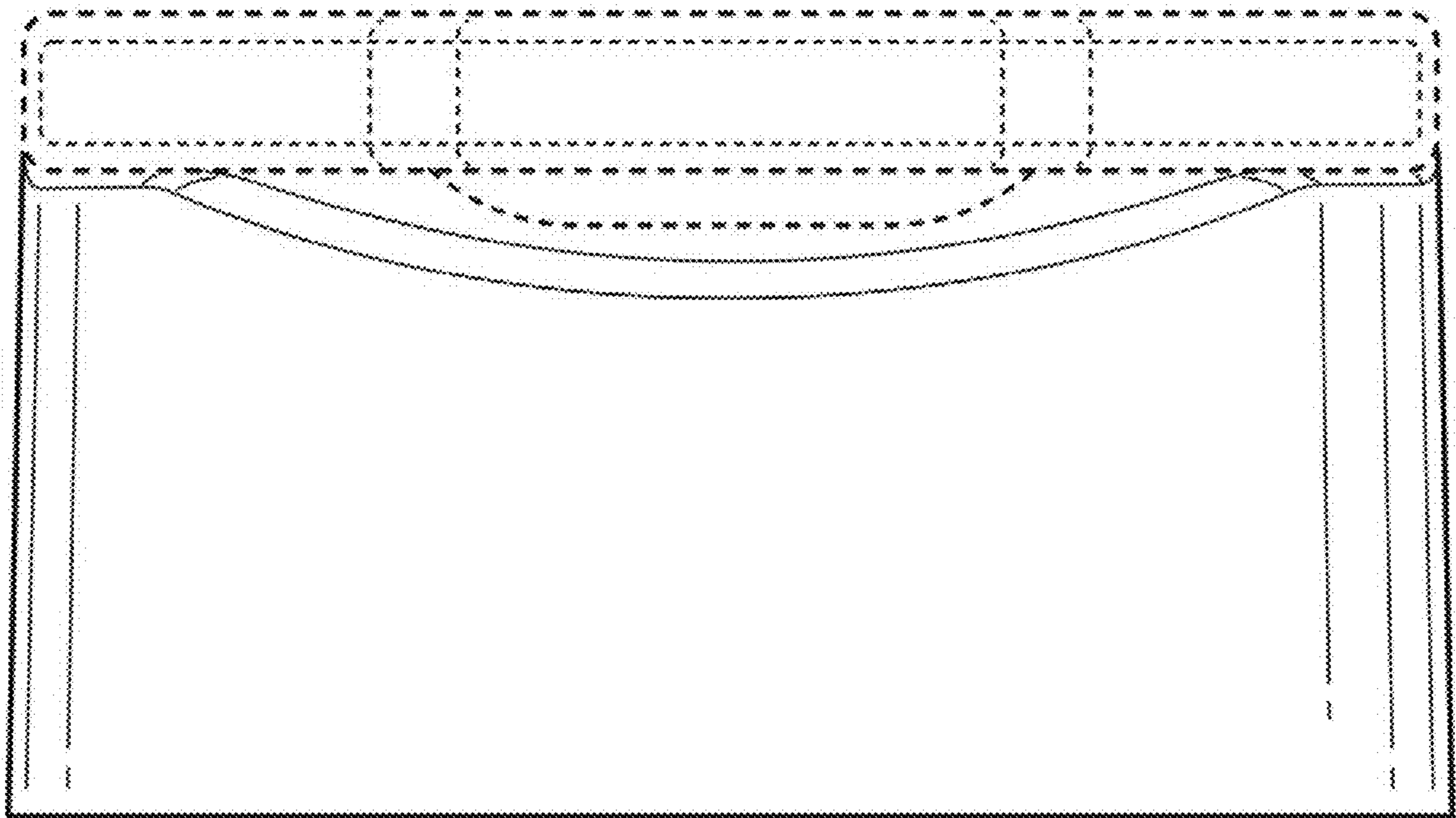


Fig. 3

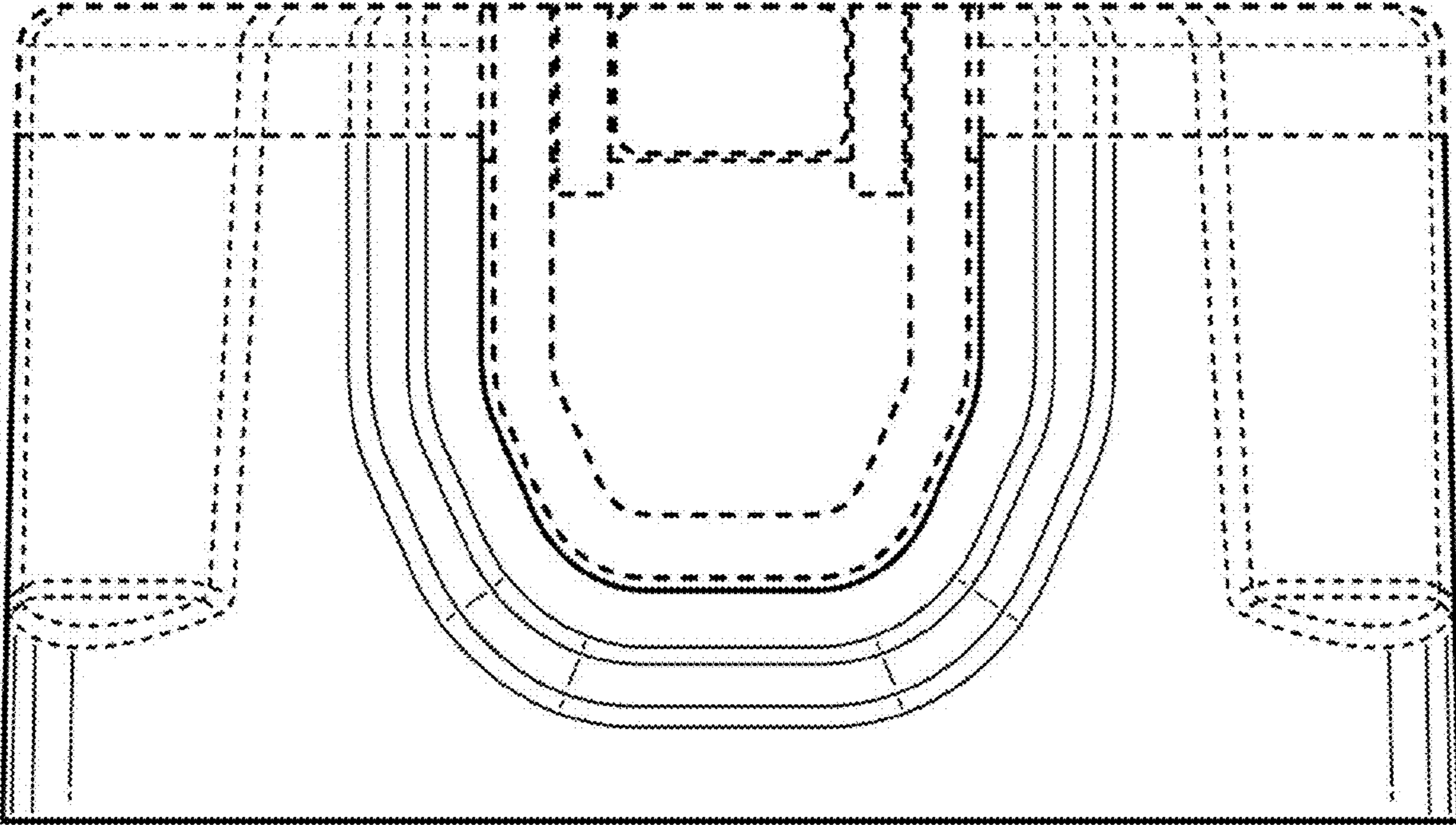


Fig. 4

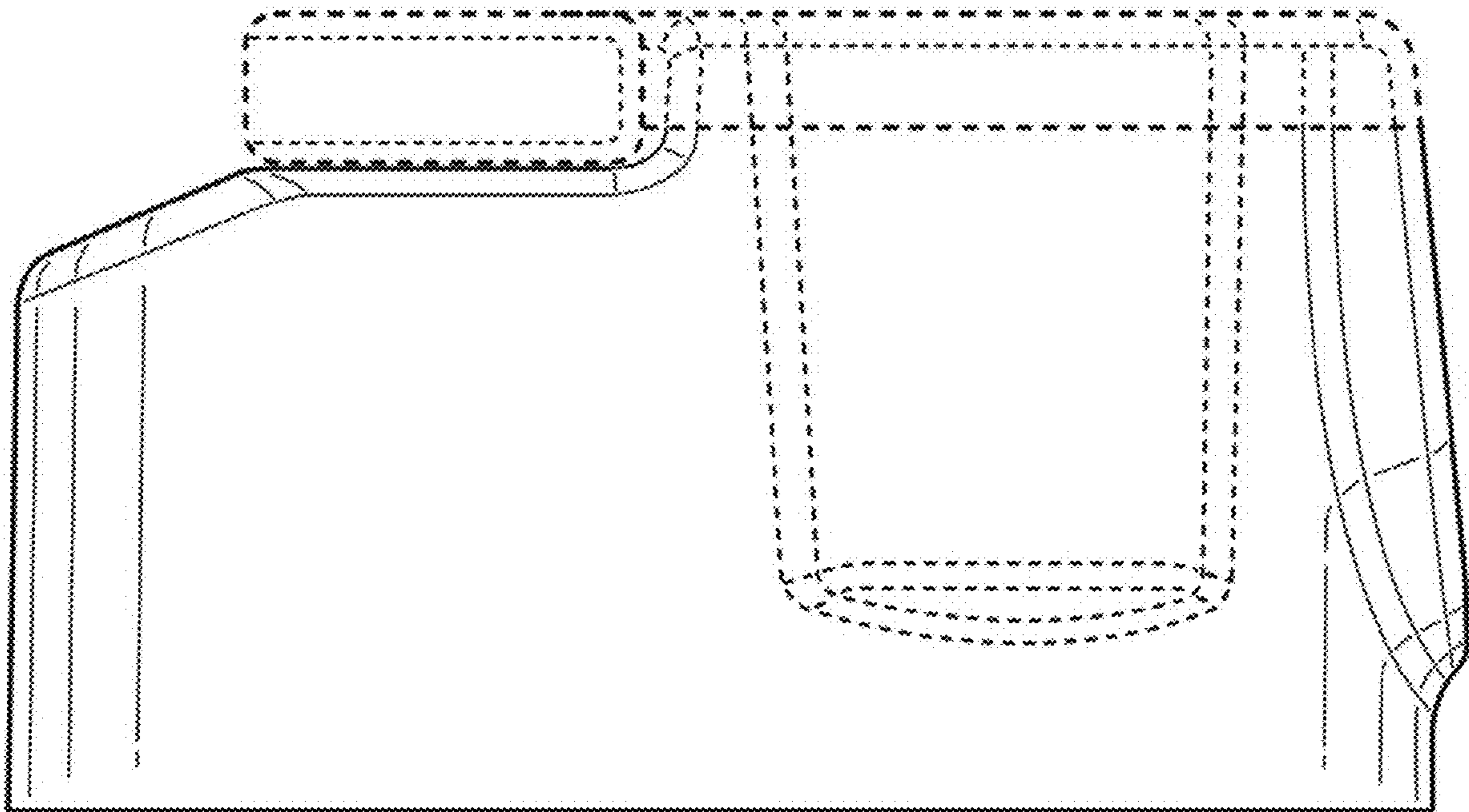


Fig. 5

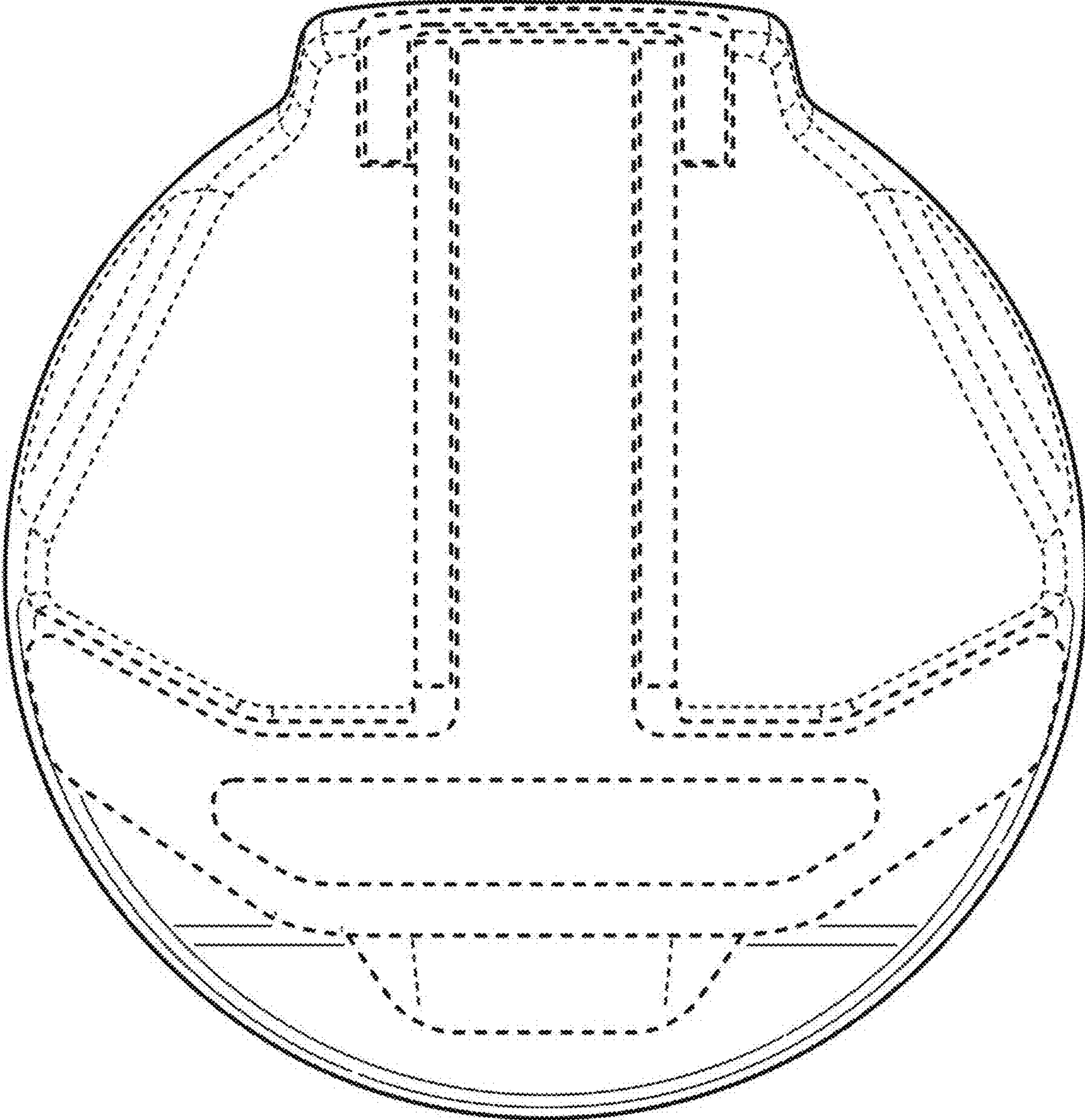


Fig. 6

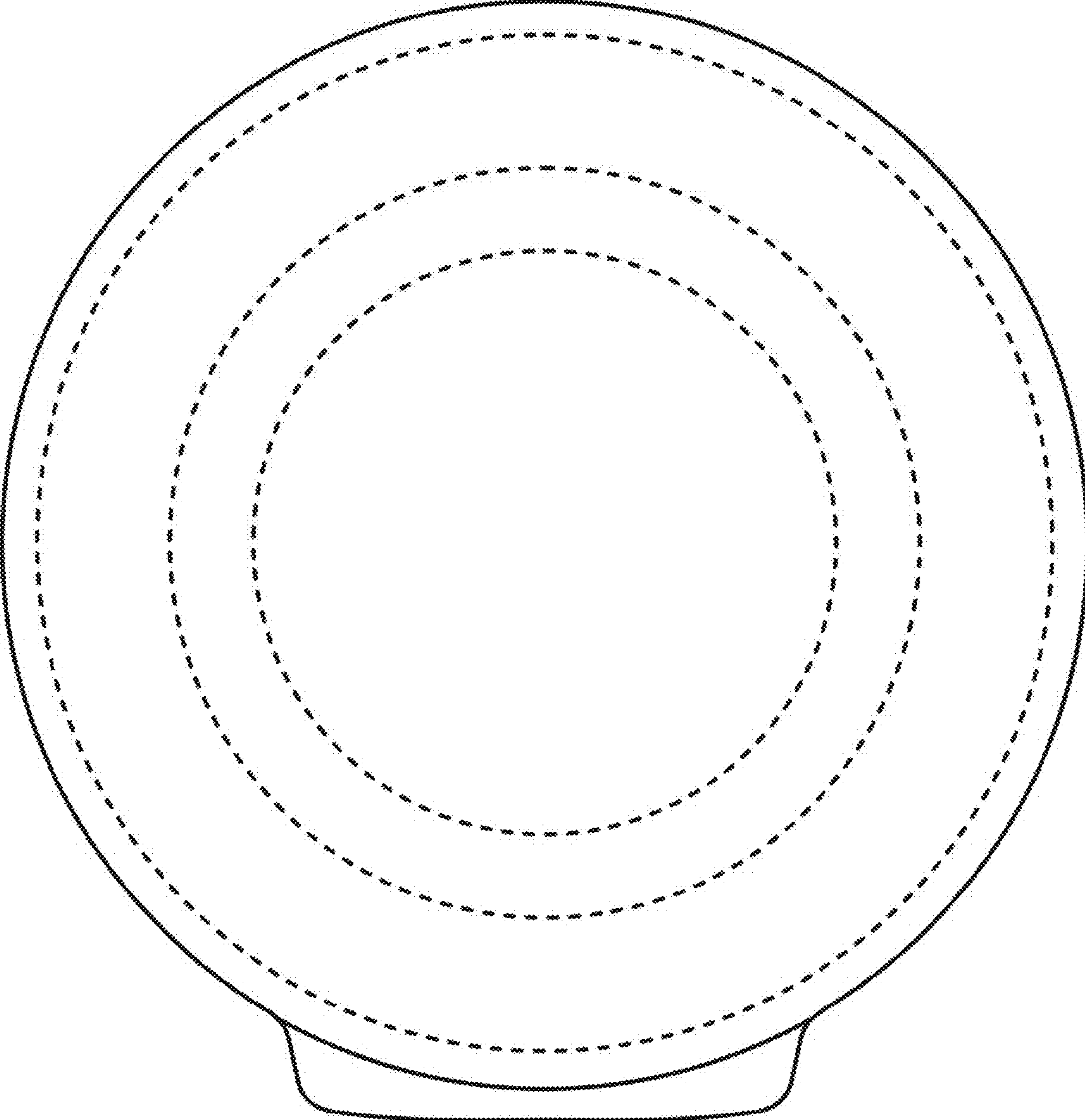


Fig. 7