



US00D967667S

(12) **United States Design Patent**
Brook et al.

(10) **Patent No.:** **US D967,667 S**
(45) **Date of Patent:** **** Oct. 25, 2022**

(54) **TWO-SLICE TOASTER**

(71) Applicant: **Sunbeam Products, Inc.**, Boca Raton, FL (US)

(72) Inventors: **Nick Brook**, Sale (GB); **Noel Disbury**, Manchester (GB); **Stewart Gordon**, Cheadle (GB); **Mark Skinner**, Manchester (GB)

(73) Assignee: **Sunbeam Products, Inc.**, Boca Raton, FL (US)

(**) Term: **15 Years**

(21) Appl. No.: **29/726,910**

(22) Filed: **Mar. 6, 2020**

(51) **LOC (13) Cl.** **07-02**

(52) **U.S. Cl.**
USPC **D7/330**

(58) **Field of Classification Search**

USPC D7/328, 329, 330, 331, 339, 340, 341, D7/342, 343, 344, 345, 346, 347, 348, D7/349, 351, 352, 390, 402, 405, 406; D21/523, 524

CPC A47J 37/08; A47J 37/0807; A47J 37/0814; A47J 37/0821; A47J 37/0828; A47J 37/0835; A47J 37/0842; A47J 37/085; A47J 37/0857; A47J 37/0864; A47J 37/0871; A47J 37/0878; A47J 37/0885; A47J 37/0892; A47J 37/0611; A47J 37/0623; A47J 37/0629; A47J 37/00; A47J 37/04; A47J 37/06; A21B 1/00; A21B 1/52; A21B 5/00; F24C 15/02; F24C 15/04; F24C 15/10

See application file for complete search history.

(56) **References Cited**

U.S. PATENT DOCUMENTS

D688,508 S * 8/2013 Garman D7/330
D701,720 S * 4/2014 Palermo D7/330
D730,676 S * 6/2015 Palmer D7/330

(Continued)

FOREIGN PATENT DOCUMENTS

CN 305528541 * 1/2020
CN 306214395 * 12/2020

(Continued)

OTHER PUBLICATIONS

Sunbeam Tribeca 2 Slice Toaster, announced © 2021 [online], retrieved Aug. 1, 2021, retrieved from internet, <https://www.harveynorman.com.au/sunbeam-tribeca-2-slice-toaster.html>.*

(Continued)

Primary Examiner — Messina L Smith

(74) *Attorney, Agent, or Firm* — Husch Blackwell LLP

(57) **CLAIM**

The ornamental design for a two-slice toaster, as shown and described.

DESCRIPTION

FIG. 1 is a perspective view of a two-slice toaster showing the new design;

FIG. 2 is a front elevation view of the two-slice toaster of FIG. 1;

FIG. 3 is a left side elevation view of the two-slice toaster of FIG. 1;

FIG. 4 is a rear elevation view of the two-slice toaster shown in FIG. 1;

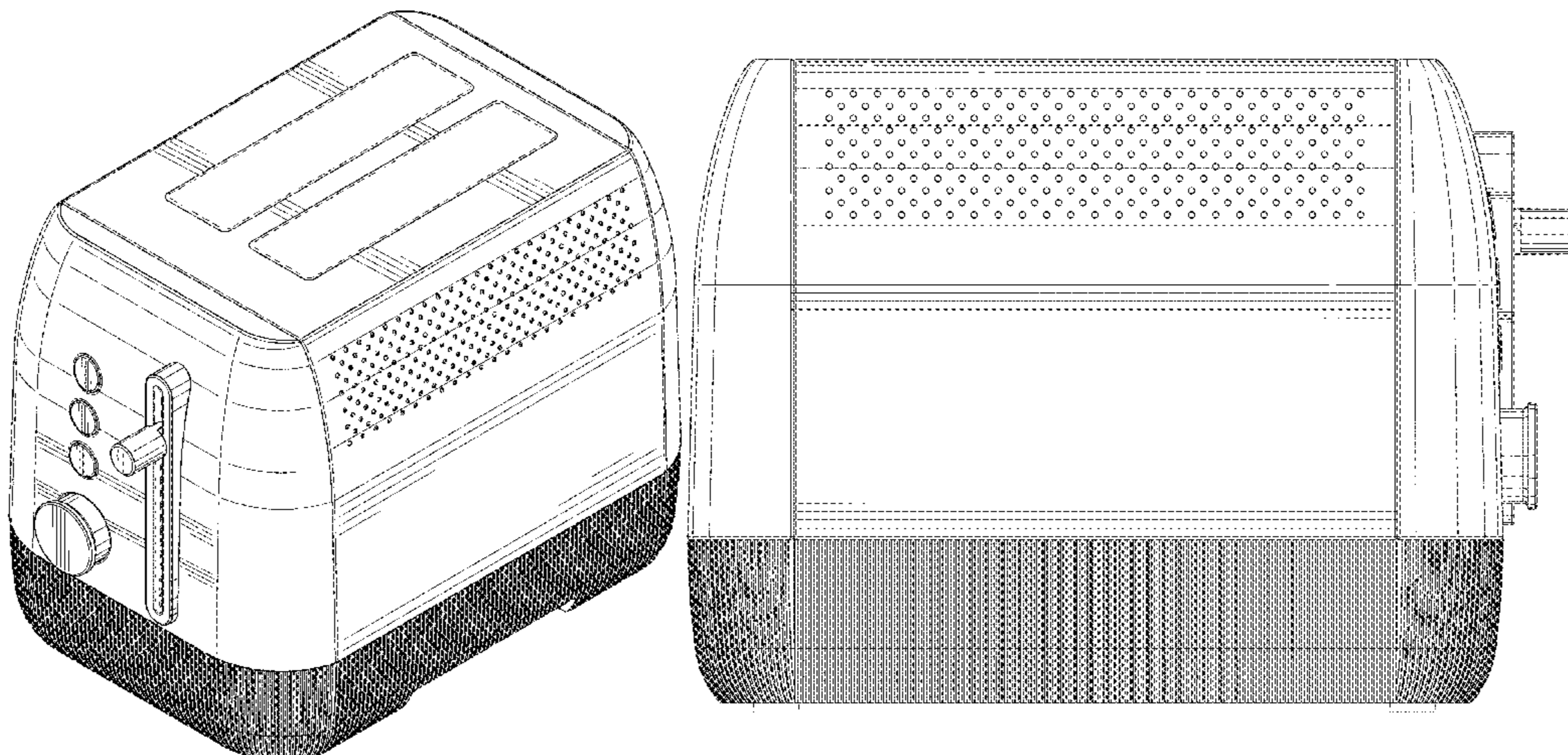
FIG. 5 is a top plan view of the two-slice toaster shown in FIG. 1;

FIG. 6 is a bottom plan view of the two-slice toaster shown in FIG. 1; and,

FIG. 7 is a right side elevation view of the two-slice toaster of FIG. 1.

The broken lines in the figures illustrate portions of the two-slice toaster that form no part of the claimed design.

1 Claim, 7 Drawing Sheets



(56)

References Cited

OTHER PUBLICATIONS

U.S. PATENT DOCUMENTS

D746,093	S	*	12/2015	Bazzicalupo	D7/330
D758,780	S	*	6/2016	Affatato	D7/330
D759,418	S	*	6/2016	Affatato	D7/330
D765,456	S	*	9/2016	Lee	D7/330
D796,890	S	*	9/2017	De' Longhi	D7/330
D809,327	S	*	2/2018	Chalk	D7/330
D823,631	S	*	7/2018	Gort-Barten	D7/330
D838,132	S	*	1/2019	Kowalewski	D7/330
D839,654	S	*	2/2019	Lin	D7/330
D843,768	S	*	3/2019	Miller	D7/330
D862,149	S	*	10/2019	Gordon	D7/330
D879,537	S	*	3/2020	Powell	D7/330
D886,505	S	*	6/2020	Thun	D7/330
D911,763	S	*	3/2021	Miller	D7/330

FOREIGN PATENT DOCUMENTS

CN	306547273	*	5/2021
CN	306593082	*	6/2021
GB	6099883	*	9/2020

Sunbeam Quantum® Plus Toaster 2 Slice, announced © 2021 [online], retrieved Aug. 1, 2021, retrieved from internet, <https://www.retravision.com.au/sunbeam-quantumreg-plus-toaster-2-slice-ta2320>.*

Sunbeam Diamond Collection 2 Slice Toaster, announced 2018 [online], retrieved Aug. 1, 2021, retrieved from internet, <https://store.qantas.com.au/p/diamond-collection-2-slice-toaster/136356P>.*

Kichele Toaster 2 Slice Toasters, announced Jul. 24, 2020 [online], retrieved Aug. 1, 2021, retrieved from internet, https://www.amazon.com/Kichele-Toasters-Stainless-Removable-Function/dp/B08DKP7G6J/ref=asc_df_B08DKP7G6J/?tag=hyprod-20&linkCode=df0&hvadid=475811797624&hvpos=&hvnetw=g&hvrnd=130391138904295076&hvpone=&hvptwo=&hvqmt=&hvdev=c&hvdvcmld=&hvlocint=&hvlocphy=1027027&hvtargid=pla-1027261222771&pssc=1.*

* cited by examiner

FIG. 1

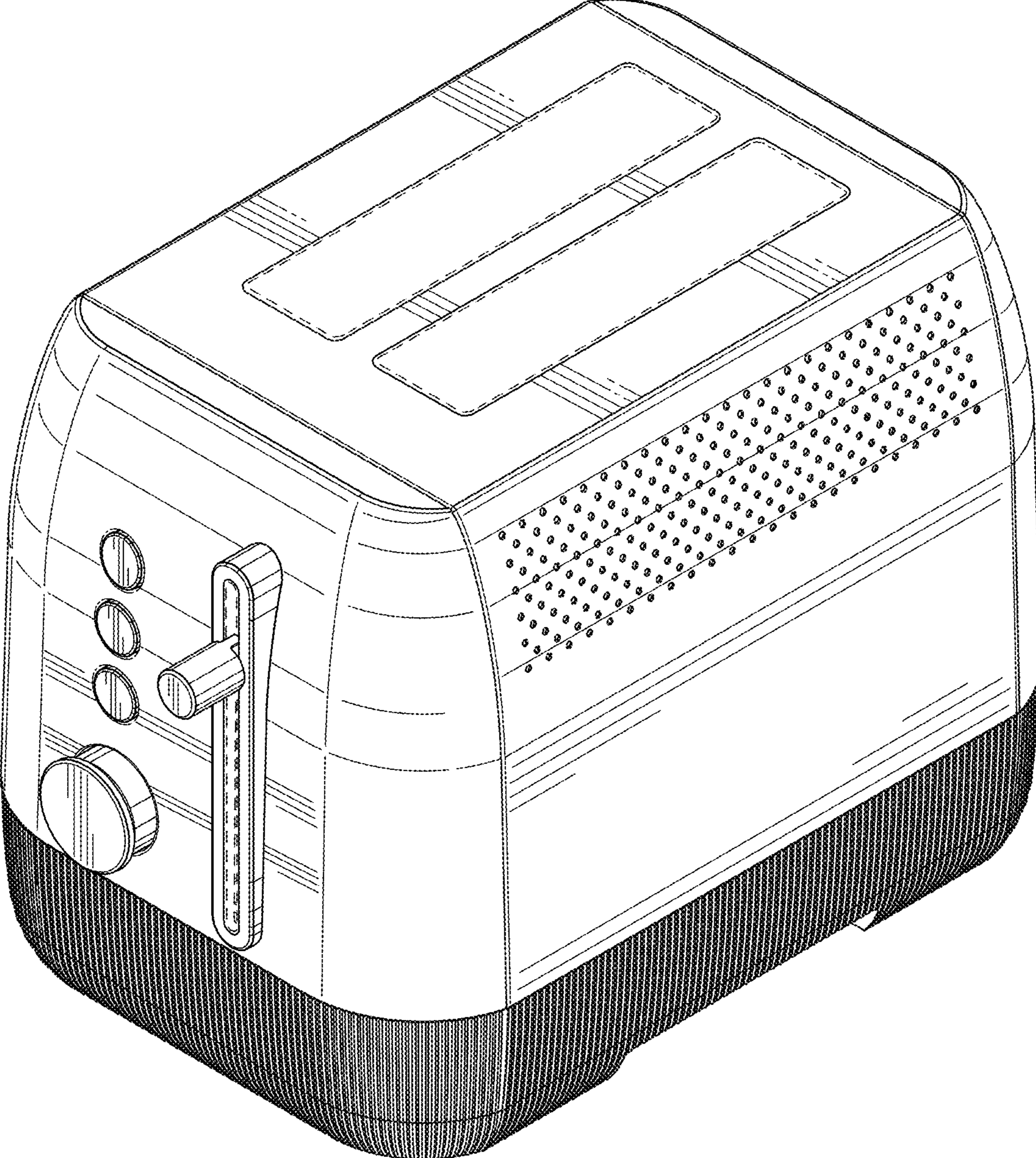


FIG. 2

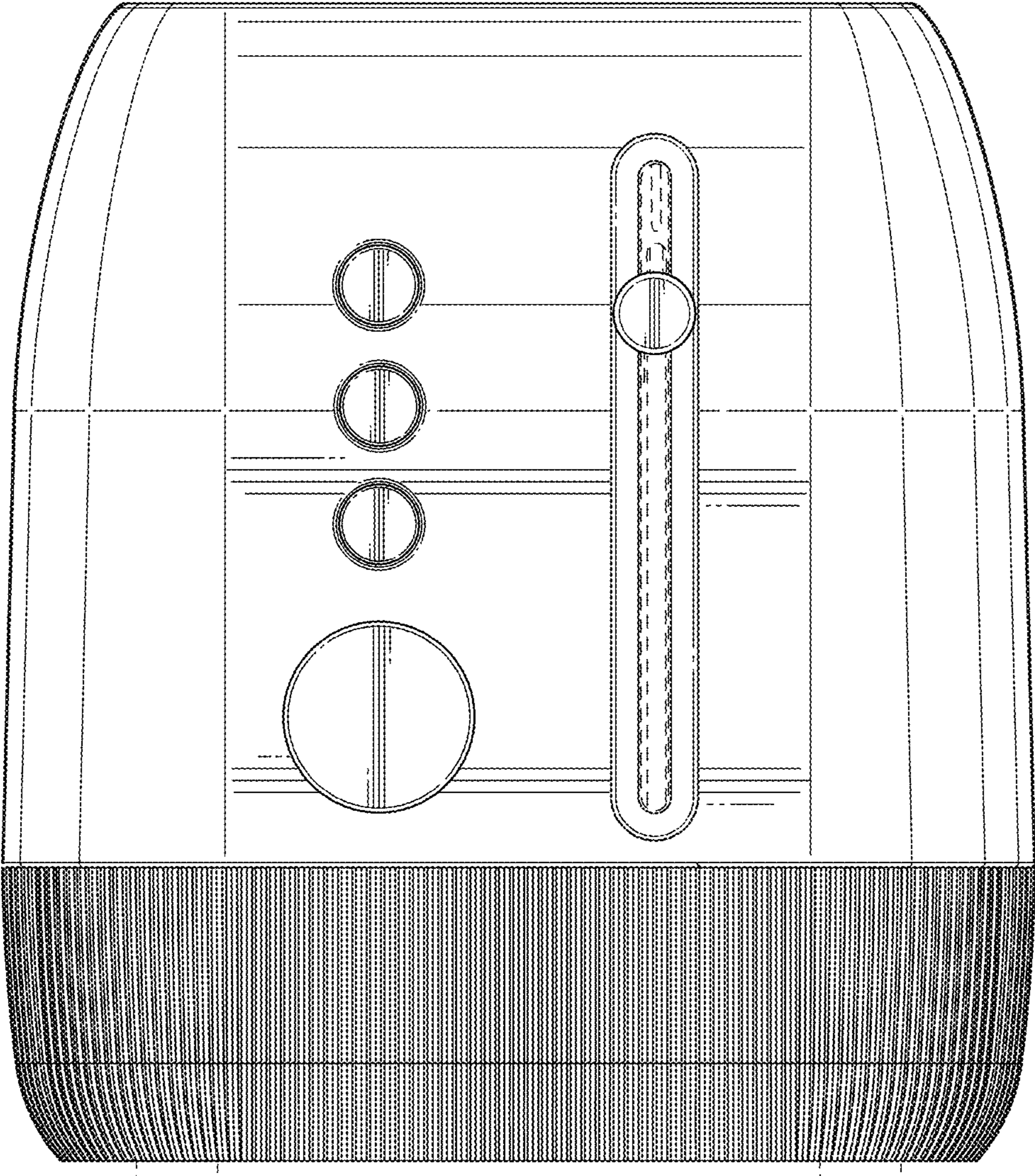


FIG. 3

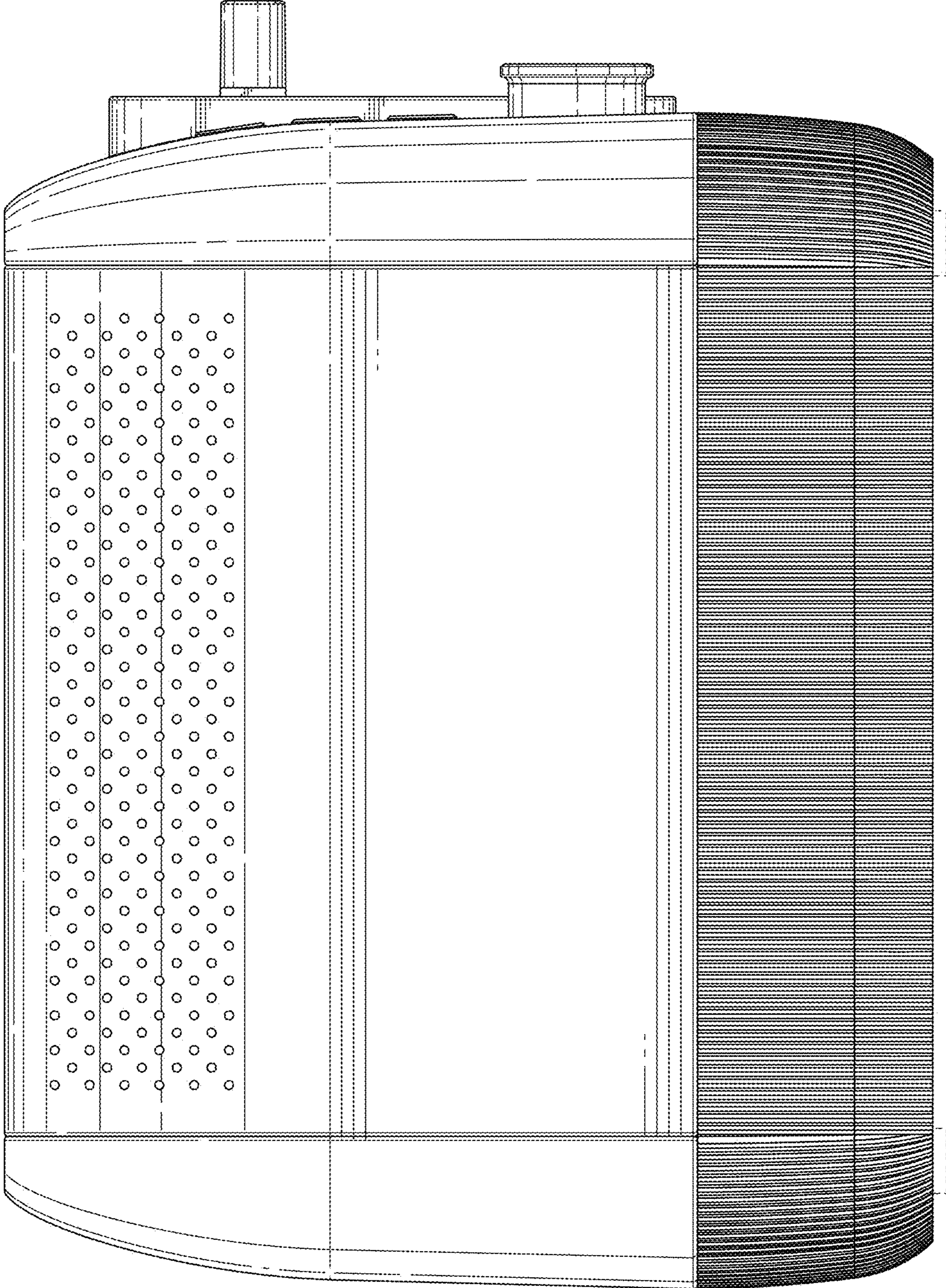


FIG. 4

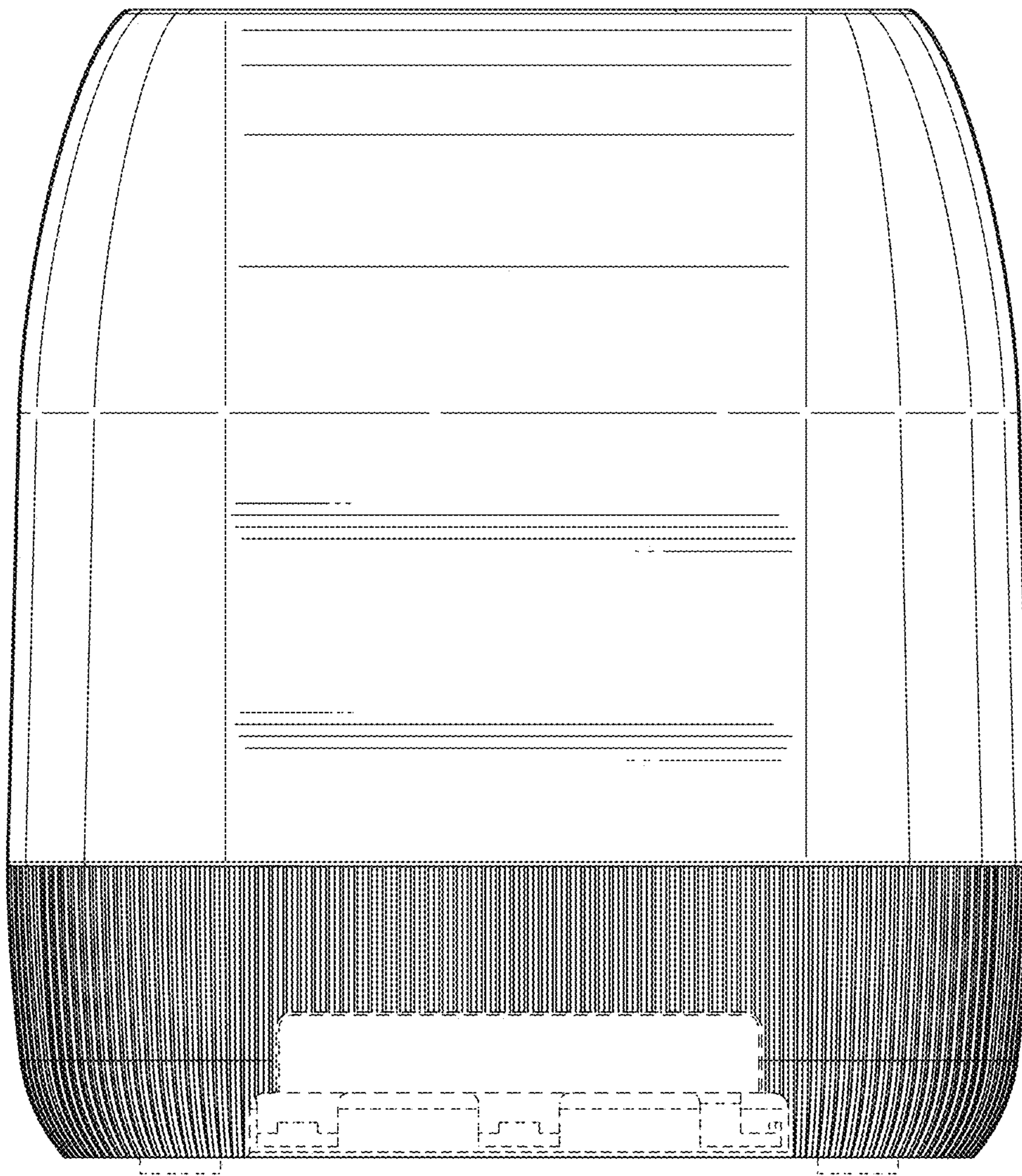


FIG. 5

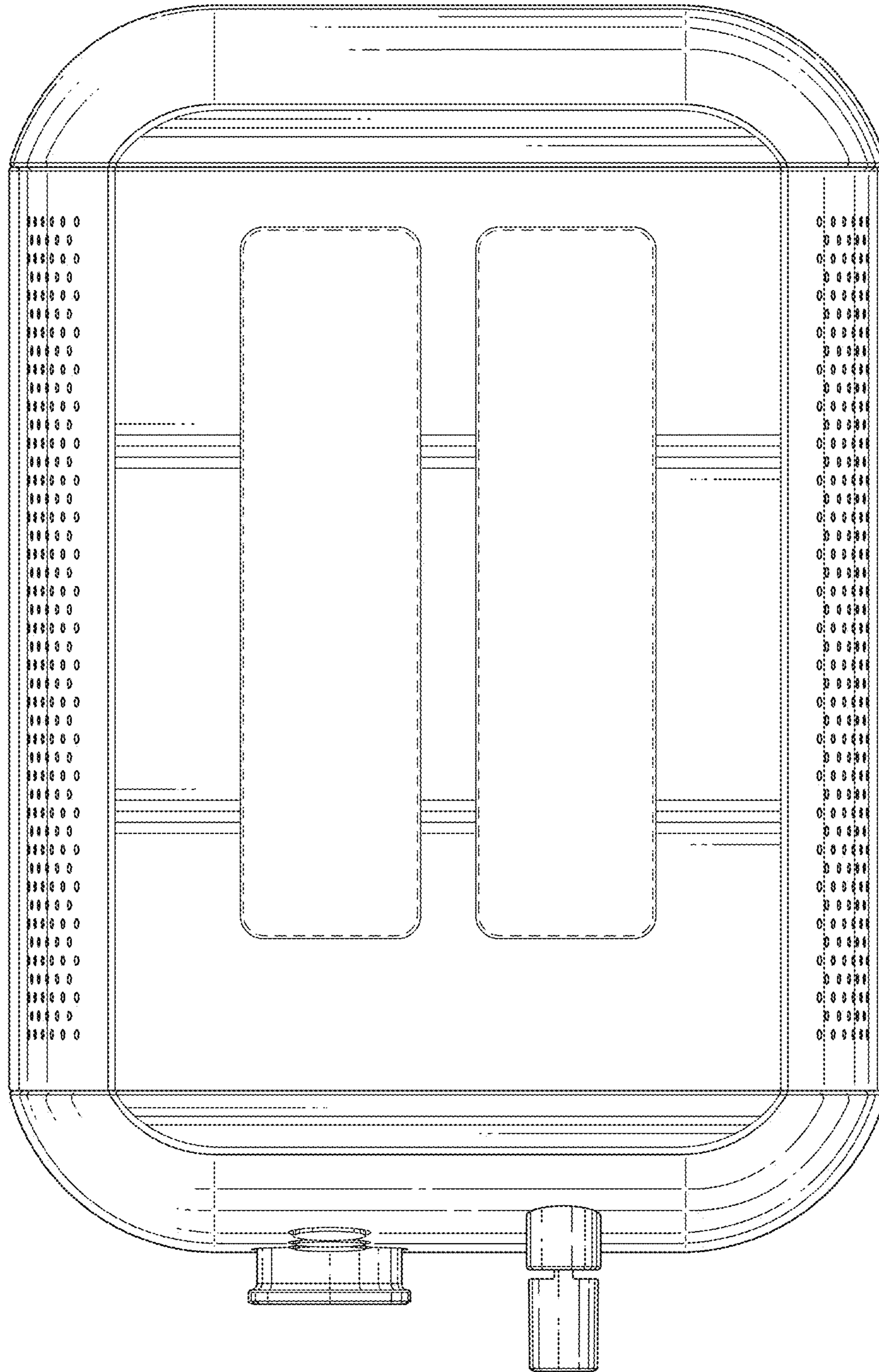


FIG. 6

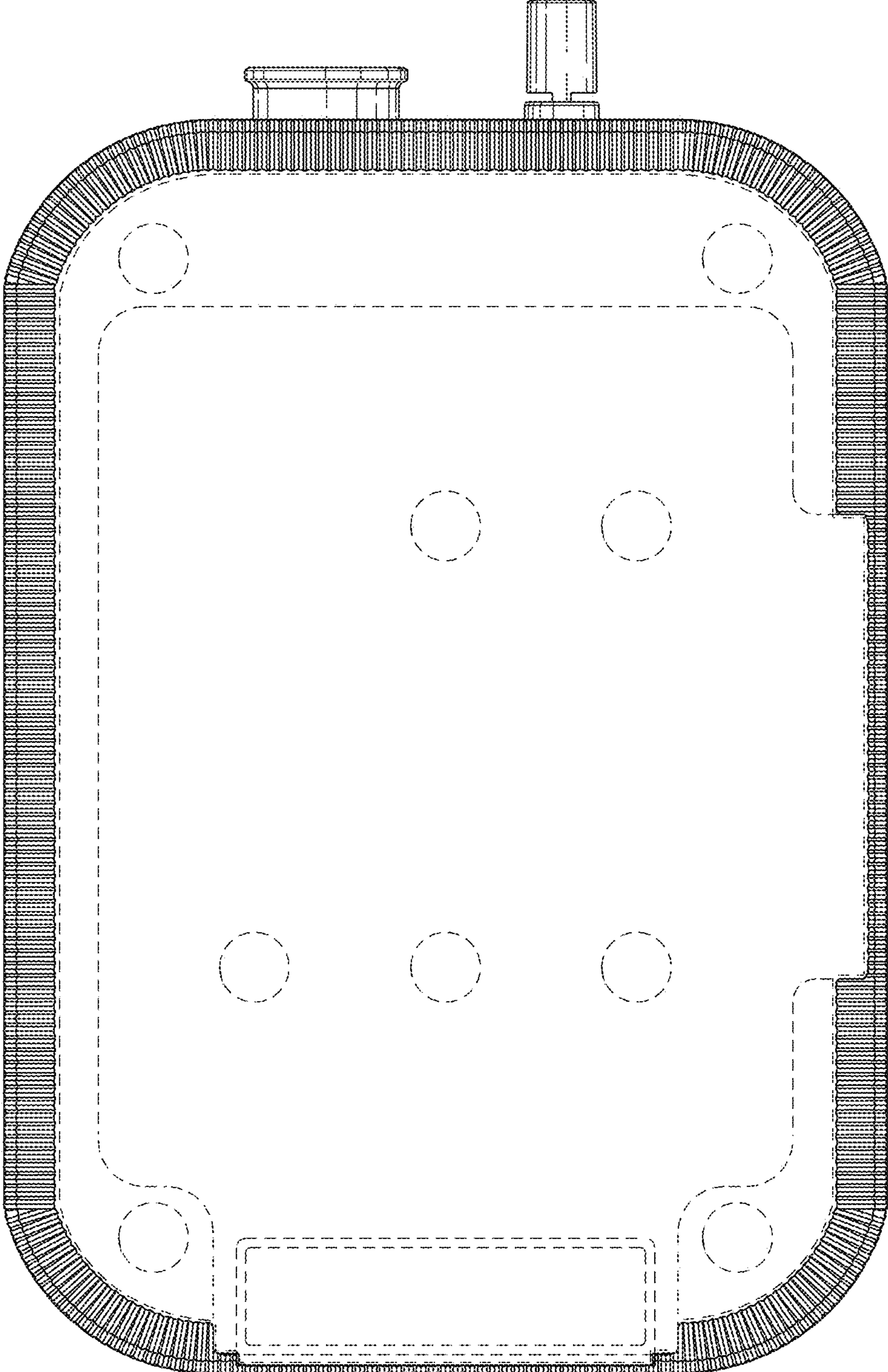


FIG. 7

