



US00D967666S

(12) **United States Design Patent** (10) **Patent No.:** **US D967,666 S**
Alexander et al. (45) **Date of Patent:** **** Oct. 25, 2022**

- (54) **BABY BOTTLE**
- (71) Applicant: **Ember Technologies, Inc.**, Westlake Village, CA (US)
- (72) Inventors: **Clayton Alexander**, Westlake Village, CA (US); **Daren John Leith**, Agoura Hills, CA (US); **Christopher Thomas Wakeham**, Solana Beach, CA (US); **Mikko Juhani Timperi**, San Marcos, CA (US); **Martin Gschwandtl**, San Francisco, CA (US)
- (73) Assignee: **Ember Technologies, Inc.**, Westlake Village, CA (US)
- (**) Term: **15 Years**
- (21) Appl. No.: **29/727,478**
- (22) Filed: **Mar. 11, 2020**

Related U.S. Application Data

- (63) Continuation of application No. 29/660,106, filed on Aug. 17, 2018, now Pat. No. Des. 878,849.
- (51) **LOC (13) Cl.** **07-02**
- (52) **U.S. Cl.**
USPC **D7/326**
- (58) **Field of Classification Search**
USPC D7/323, 326-327, 368, 509, 510, 523, D7/601, 602, 605, 608; D9/500, 504
CPC A01J 9/08; A23L 3/10; A47J 27/04; A47J 27/004; A47J 36/24; A47J 36/2411; A47J 36/2416; A47J 36/2433; A47J 36/2438; A47J 39/00; A47J 39/006; A47J 41/00; B65D 81/3205; B65D 81/3876; H05B 3/0004
See application file for complete search history.

(56) **References Cited**
U.S. PATENT DOCUMENTS

- 2,300,891 A 11/1942 Hanks
- 2,582,781 A 1/1952 Johnson

- 2,843,719 A 7/1958 Smith
- 2,992,316 A 7/1961 Baumstein et al.
- 3,432,641 A * 3/1969 Welke A47J 36/2433
219/415
- 3,805,440 A 4/1974 Becker
- 5,692,627 A 12/1997 Feng
- D394,581 S 5/1998 Paris
- 6,403,928 B1 6/2002 Ford
- (Continued)

OTHER PUBLICATIONS

Baby's Brew Portable Bottle Warmer Pro. Date Reviewed on Amazon.com Dec. 29, 2020. <https://www.amazon.com/Babys-Brew-Portable-Warmer-Pro/dp/B08KWQV6LB/ref> (Year: 2020).*

(Continued)

Primary Examiner — Ricky Pham
(74) *Attorney, Agent, or Firm* — Knobbe, Martens, Olson & Bear LLP

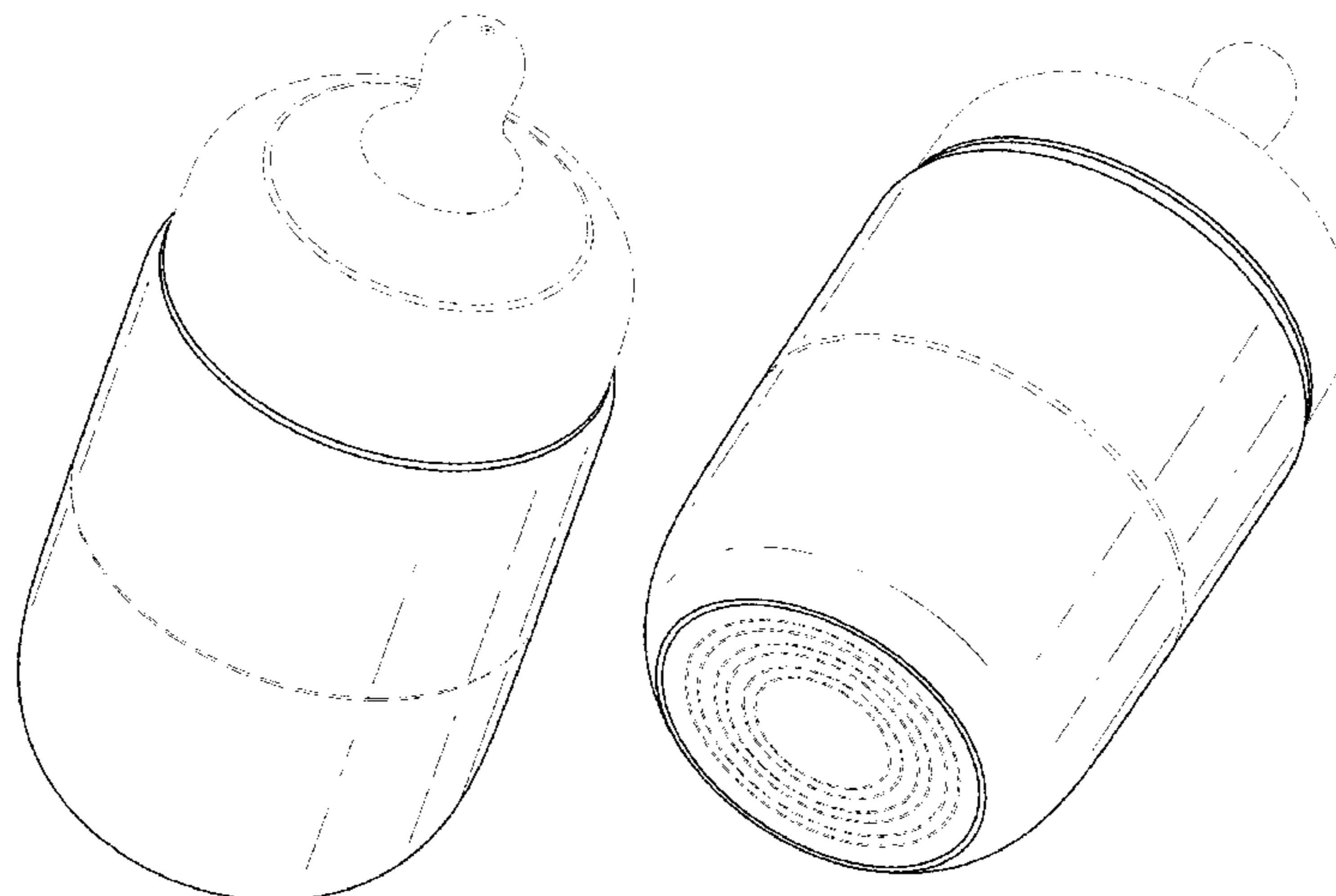
(57) **CLAIM**

The ornamental design for a baby bottle, as shown and described.

DESCRIPTION

FIG. 1 is a top perspective view of a baby bottle embodying our new design;
 FIG. 2 is a bottom perspective view thereof;
 FIG. 3 is a top view thereof;
 FIG. 4 is a bottom view thereof;
 FIG. 5 is a left side view thereof;
 FIG. 6 is a right side view thereof;
 FIG. 7 is a front side view thereof; and,
 FIG. 8 is a rear view thereof.
 The broken lines illustrate portions of the article that form no part of the claimed design.

1 Claim, 7 Drawing Sheets



(56)

References Cited

U.S. PATENT DOCUMENTS

6,703,590	B1	3/2004	Holley, Jr.	
6,742,665	B2	6/2004	Lombardo	
D497,778	S *	11/2004	Rich	D9/503
D545,131	S *	6/2007	Seum	D7/509
D606,661	S	12/2009	Colombo	
D623,473	S *	9/2010	Chen	D7/510
7,798,346	B2 *	9/2010	Nelson	B65D 81/3205 220/23.6
D638,709	S *	5/2011	Yourist	D9/500
8,045,848	B2	10/2011	Wortley	
8,256,411	B2 *	9/2012	Christy	B65D 81/3876 126/263.01
D770,853	S *	11/2016	Gschwandtl	D7/532
D799,268	S *	10/2017	Gschwandtl	D7/532
D842,020	S	3/2019	Augustyn	
D878,849	S *	3/2020	Alexander	D7/326
D880,941	S *	4/2020	Silsby	D7/532
D913,792	S *	3/2021	Bookelmann	D9/504
D917,970	S *	5/2021	Bullock	D7/532
2007/0017890	A1	1/2007	Al-Jadh	
2007/0223895	A1	9/2007	Flemm	
2008/0041859	A1	2/2008	Teglbjarg	
2008/0179311	A1	7/2008	Koro et al.	
2008/0251063	A1	10/2008	Palena et al.	
2012/0064470	A1	3/2012	Delattre et al.	

OTHER PUBLICATIONS

“BabyBoo—The first smart warming body bottle,” <https://web.archive.org/web/20170712171821/https://www.faitron.com/babyboo/>, published Jul. 12, 2017.

* cited by examiner

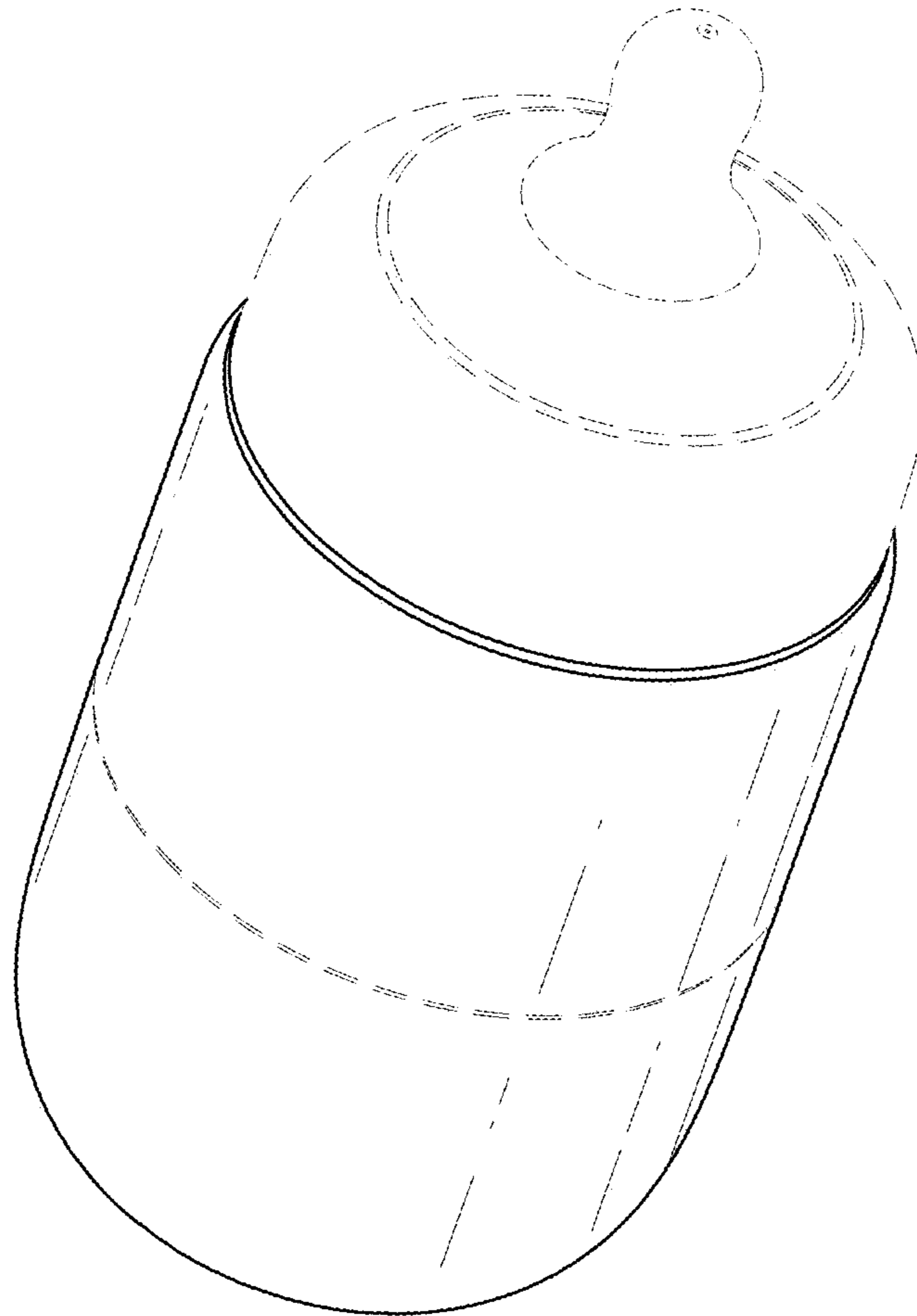


FIG. 1

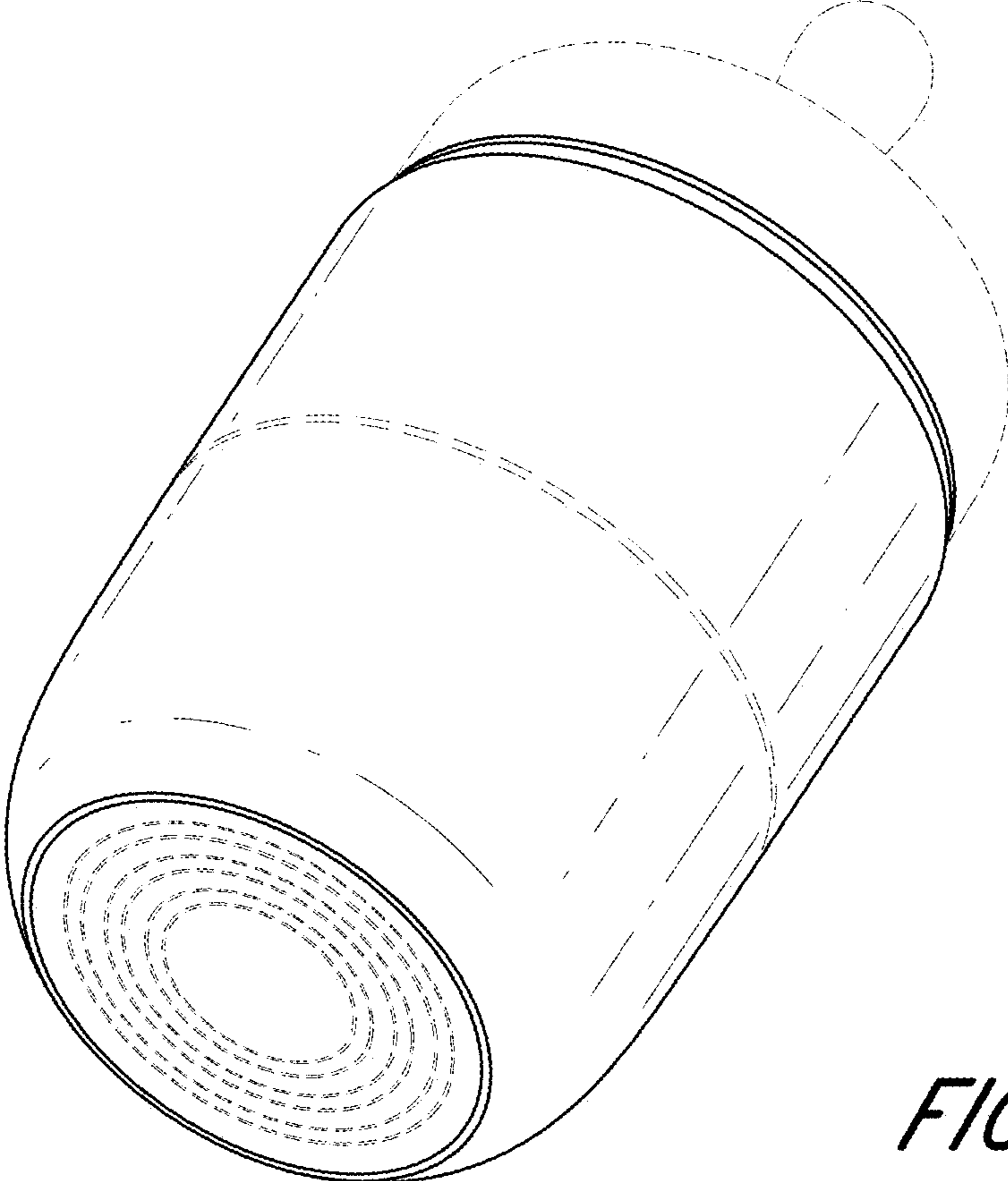


FIG. 2

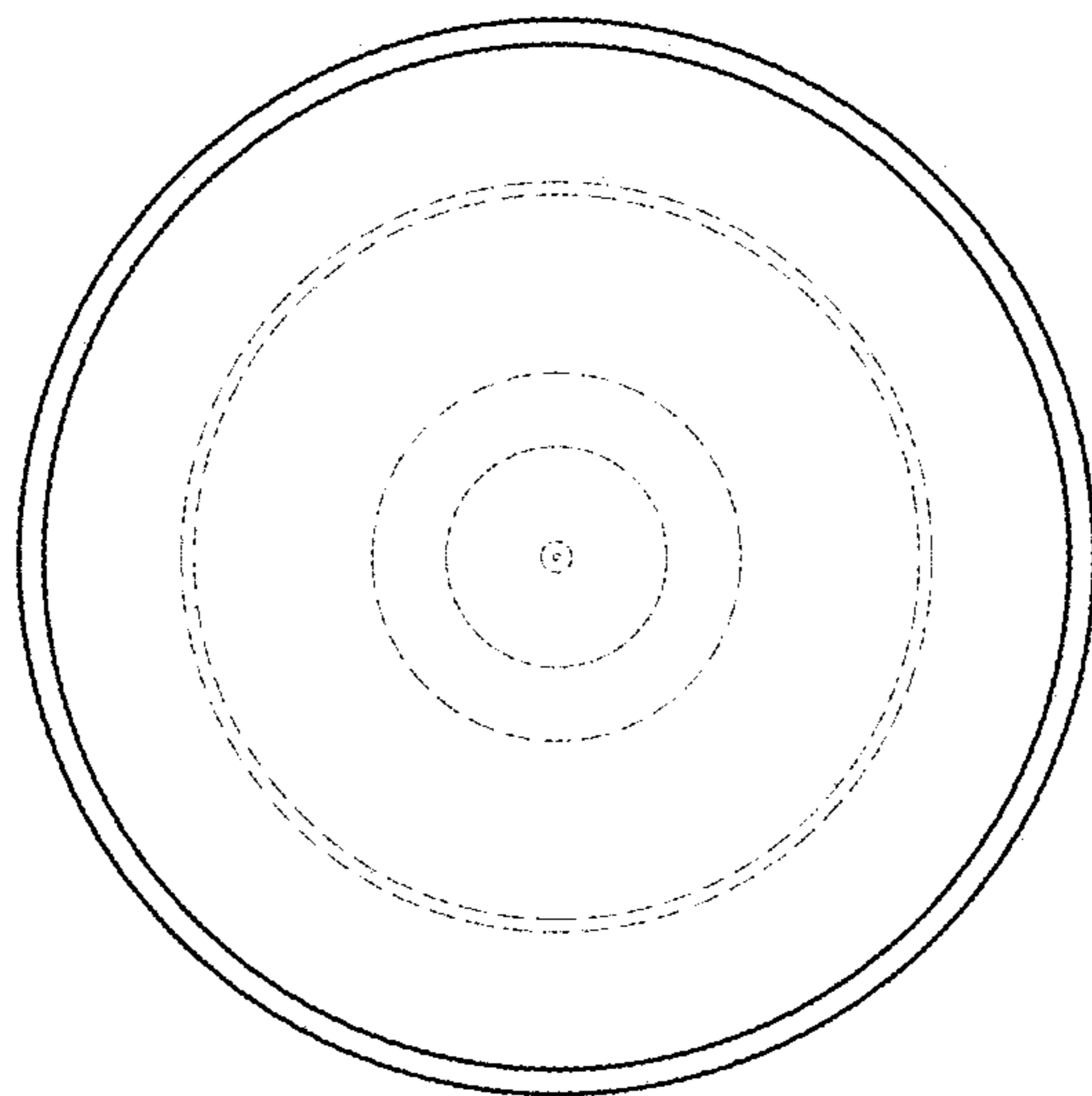


FIG. 3

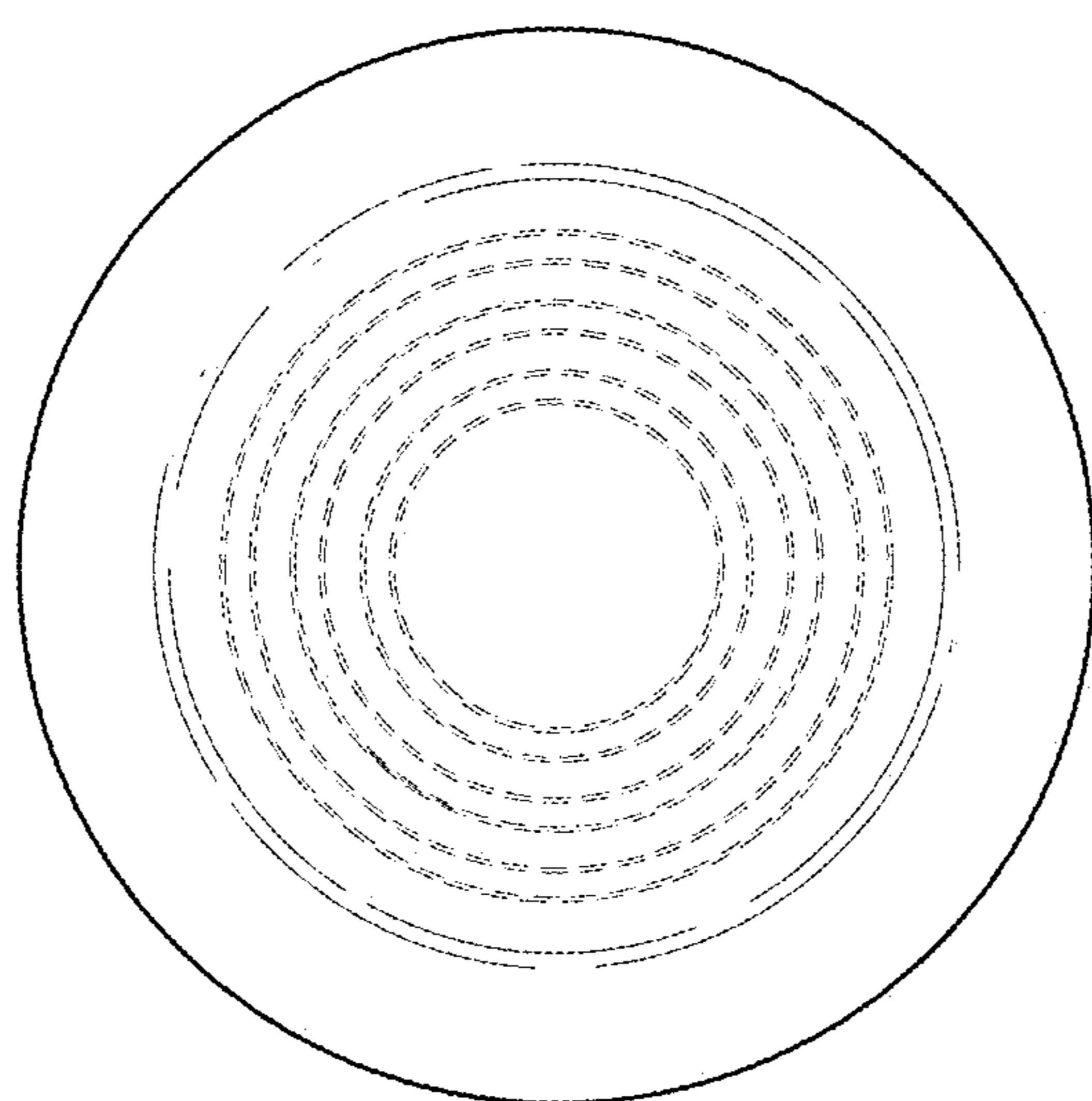


FIG. 4

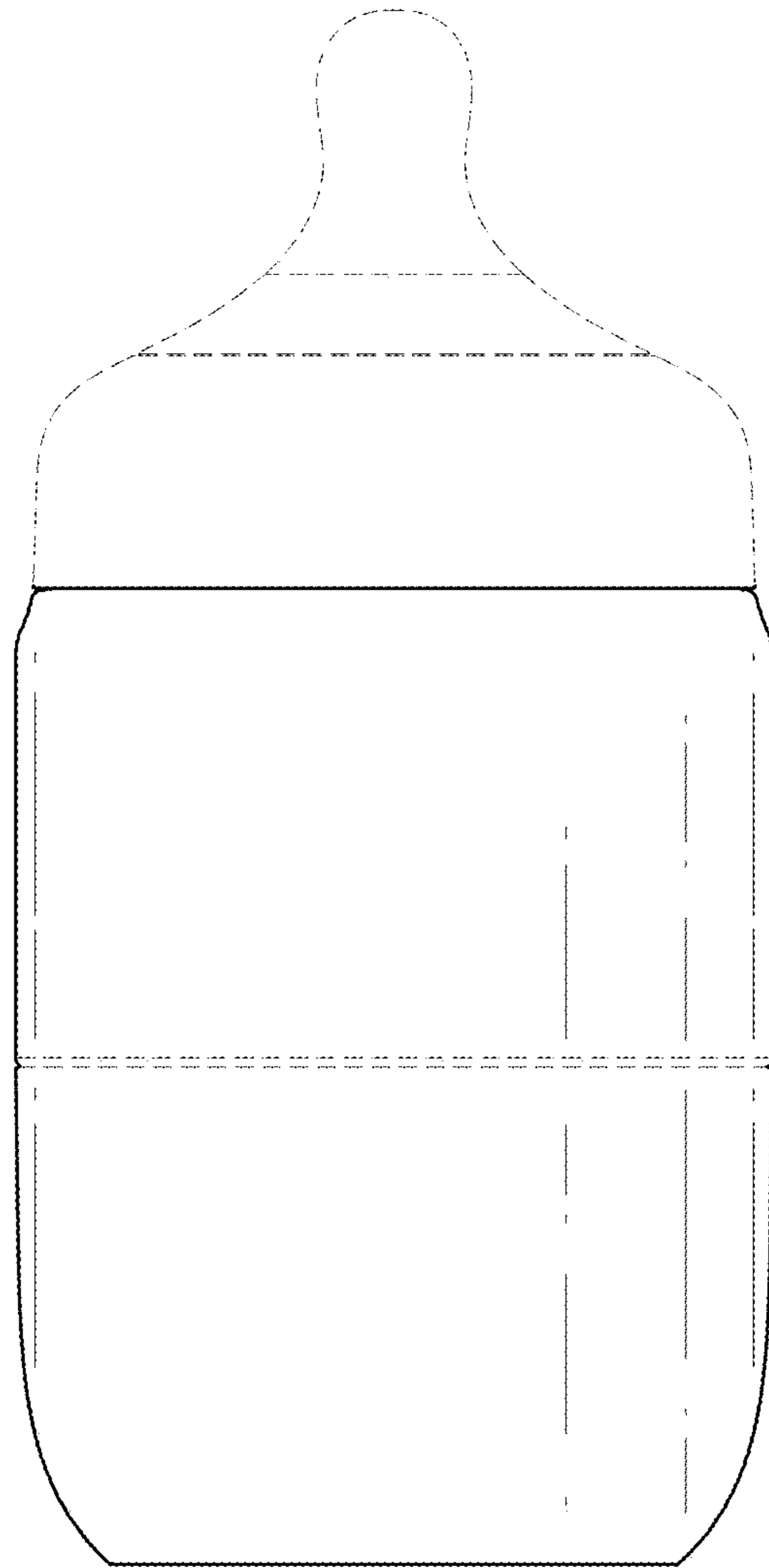


FIG. 5

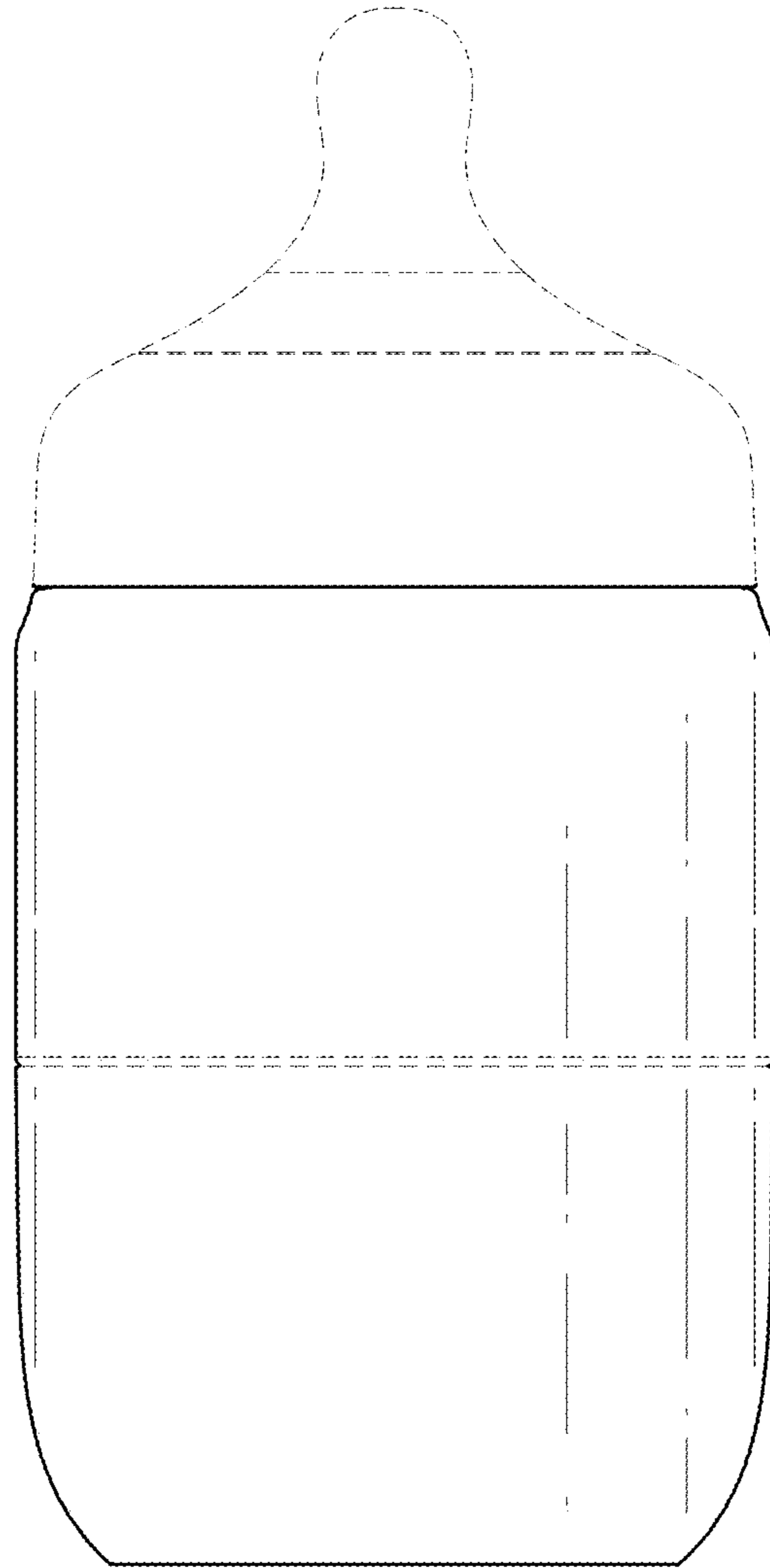


FIG. 6

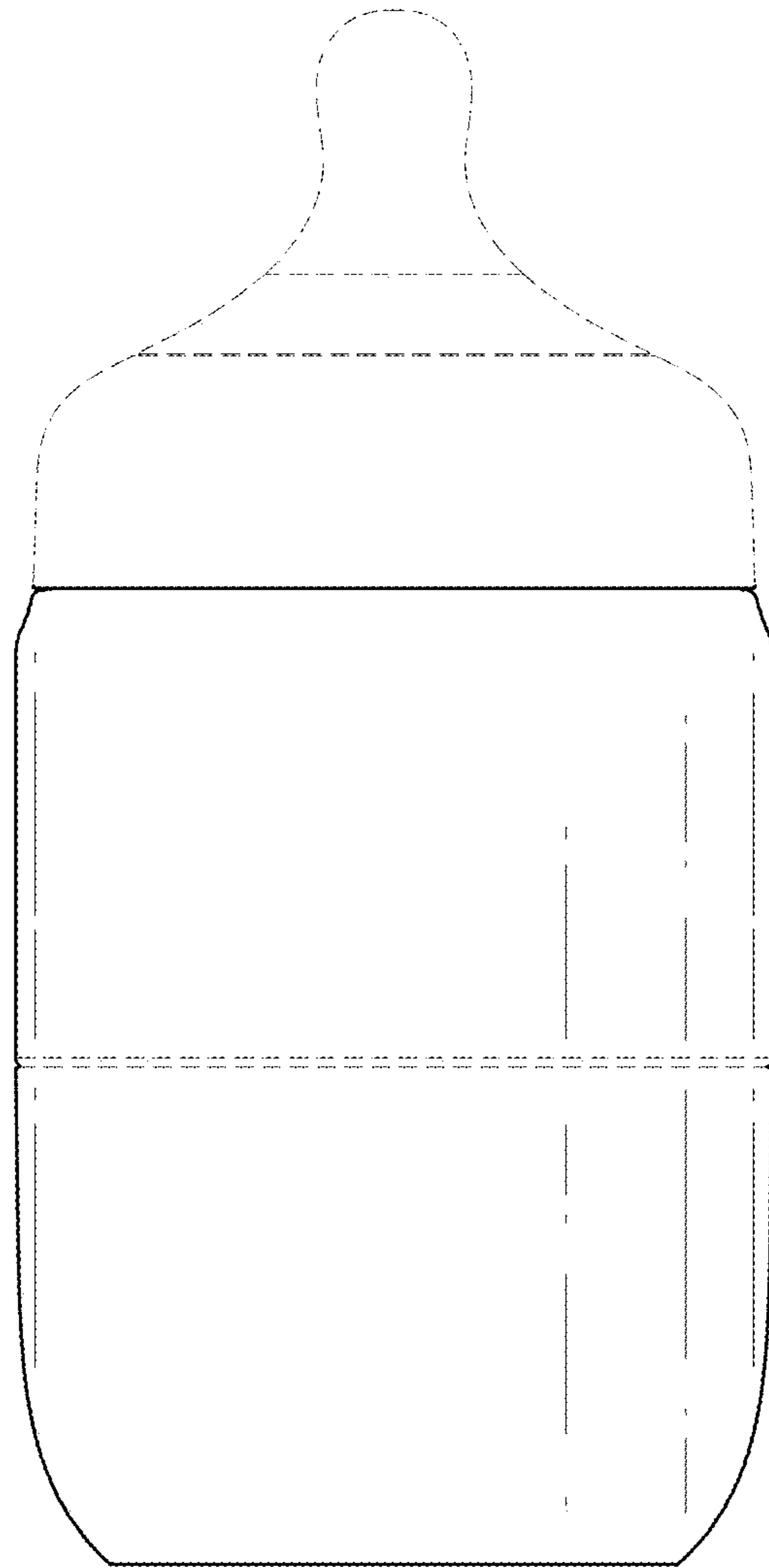


FIG. 7

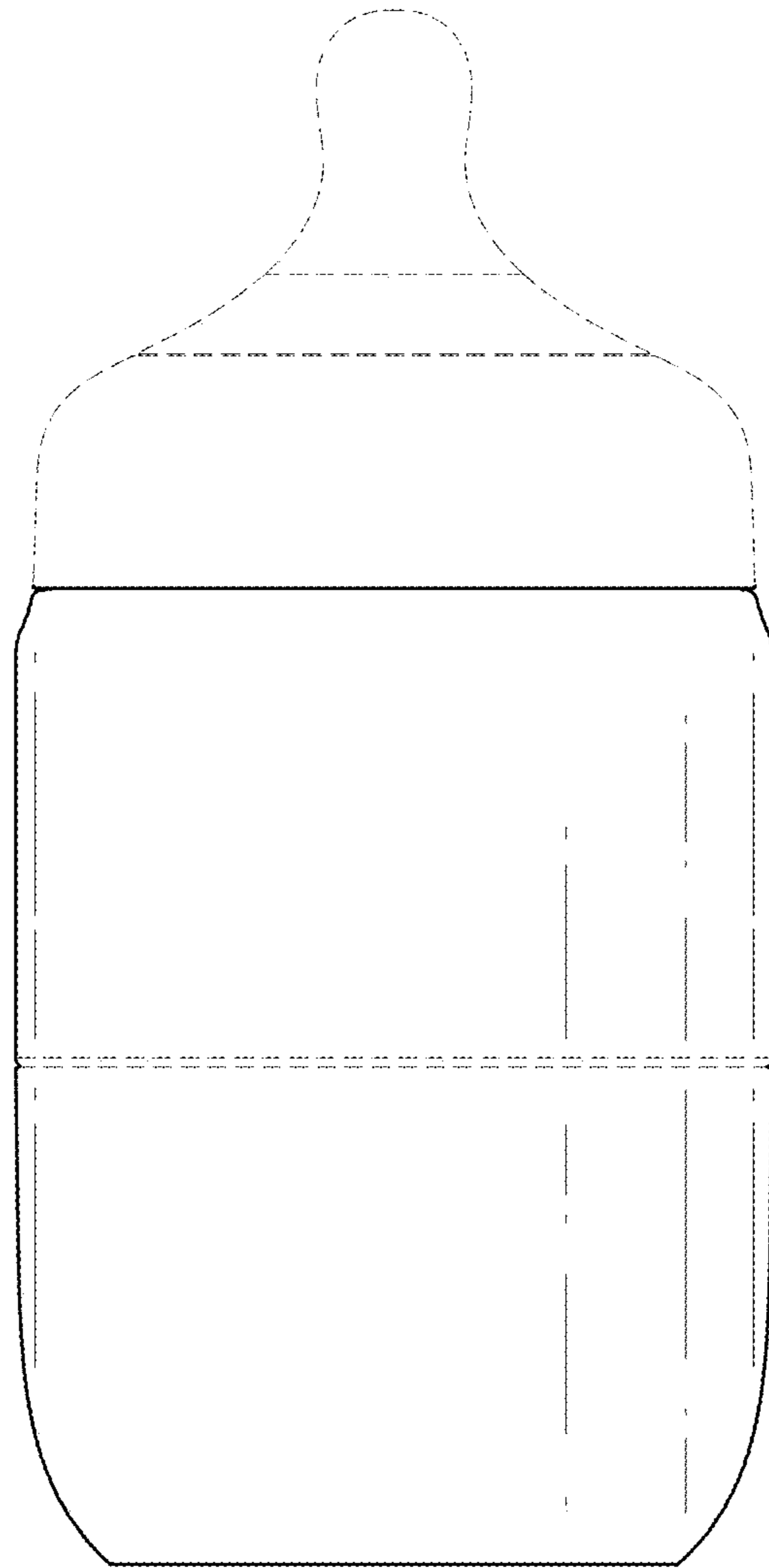


FIG. 8