



US00D967665S

(12) **United States Design Patent**
Brook et al.

(10) **Patent No.:** **US D967,665 S**

(45) **Date of Patent:** **** Oct. 25, 2022**

- (54) **JUG**
- (71) Applicant: **Sunbeam Products, Inc.**, Boca Raton, FL (US)
- (72) Inventors: **Nick Brook**, Sale (GB); **Noel Disbury**, Manchester (GB); **Stewart Gordon**, Cheadle (GB); **Mark Skinner**, Manchester (GB)
- (73) Assignee: **Sunbeam Products, Inc.**, Boca Raton, FL (US)
- (**) Term: **15 Years**

D784,063 S *	4/2017	Bond	D7/317
D788,511 S *	6/2017	Powell	D7/318
D796,247 S *	9/2017	Bazzicalupo	D7/322
D827,355 S *	9/2018	Powell	D7/318
D834,884 S *	12/2018	McConnell	D7/397
D864,648 S *	10/2019	Josancy	D7/319

(Continued)

FOREIGN PATENT DOCUMENTS

CN	301964603	*	6/2012
CN	304832809	*	9/2018

(Continued)

OTHER PUBLICATIONS

Ahillon, Paula, "Aldi recalls popular electric kettle with loose handle amid scalding fears," Oct. 3, 2018, Daily Mail, www.dailymail.co.uk/news/article-6237911/Aldi-recalls-popular-electric-kettle-loose-handle-amid-scalding-fears.html (Year: 2018).*

(Continued)

Primary Examiner — Joseph Kukella
Assistant Examiner — Arva P Adams
(74) *Attorney, Agent, or Firm* — Husch Blackwell LLP

- (21) Appl. No.: **29/726,914**
- (22) Filed: **Mar. 6, 2020**
- (51) **LOC (13) Cl.** **07-01**
- (52) **U.S. Cl.**
USPC **D7/318**
- (58) **Field of Classification Search**
USPC D3/202; D7/300, 302, 305, 312, D7/316-319, 321-322, 376-378, 392, D7/392.1, 394, 396.2, 413, 415, 511, 534, D7/548, 608, 619.1, 622, 629; D9/443
CPC A47J 2202/00; A47J 2203/00; A47J 27/21041; A47J 27/2105; A47J 27/21083; A47J 27/21175; A47J 27/212
See application file for complete search history.

(57) **CLAIM**
The ornamental design for a jug, as shown and described.

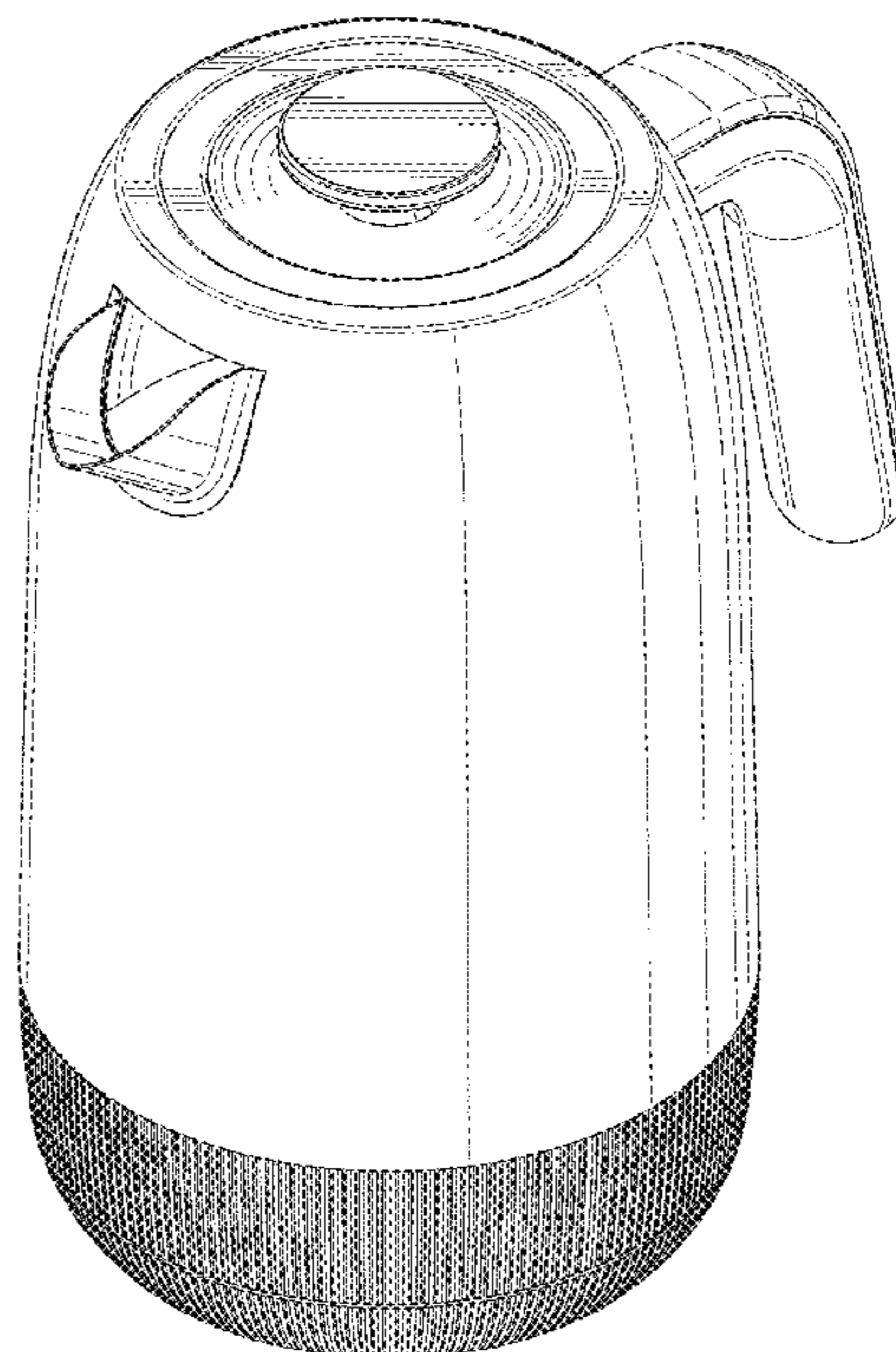
DESCRIPTION

FIG. 1 is a perspective view of a jug showing the new design;
FIG. 2 is a front elevation view of the jug of FIG. 1;
FIG. 3 is a left side elevation view of the jug shown in FIG. 1, the right side view being a mirror image thereof;
FIG. 4 is a rear elevation view of the jug shown in FIG. 1;
FIG. 5 is a top plan view of the jug shown in FIG. 1; and,
FIG. 6 is a bottom plan view of the jug shown in FIG. 1.
The broken lines in the figures illustrate unclaimed environment and form no part of the claimed design.

(56) **References Cited**
U.S. PATENT DOCUMENTS

D239,687 S *	4/1976	Breger	D7/317
D416,749 S *	11/1999	Moran	D7/319
D475,883 S *	6/2003	Jørgensen	D7/317
D498,384 S *	11/2004	McWilliam	D7/319
D718,974 S *	12/2014	De'Longhi	D7/321
D726,485 S *	4/2015	Mullen	D7/319

1 Claim, 6 Drawing Sheets



(56)

References Cited

U.S. PATENT DOCUMENTS

D868,524 S * 12/2019 Miller D7/316
D872,515 S * 1/2020 Powell D7/319

FOREIGN PATENT DOCUMENTS

CN 304885344 * 11/2018
CN 306575370 * 6/2021

OTHER PUBLICATIONS

Quin, Caramel, "Breville Impressions Gloss White Jug Kettle VKJ738 Review," Mar. 15, 2018, Trusted Reviews, www.trustedreviews.com/reviews/breville-impressions-gloss-white-jug-kettle-vkj738 (Year: 2018).*

"Stirling Designer Collection: 1.7L Kettle Model No. JK-115-C-W Instruction Manual," Apr. 18, 2019, Manuals+, <https://manuals.plus/m/606038dfcabb7efd0a52162949be45169af4030c56b1f4d6ece0ed5029eeb01.pdf> (Year: 2019).*

* cited by examiner

FIG. 1

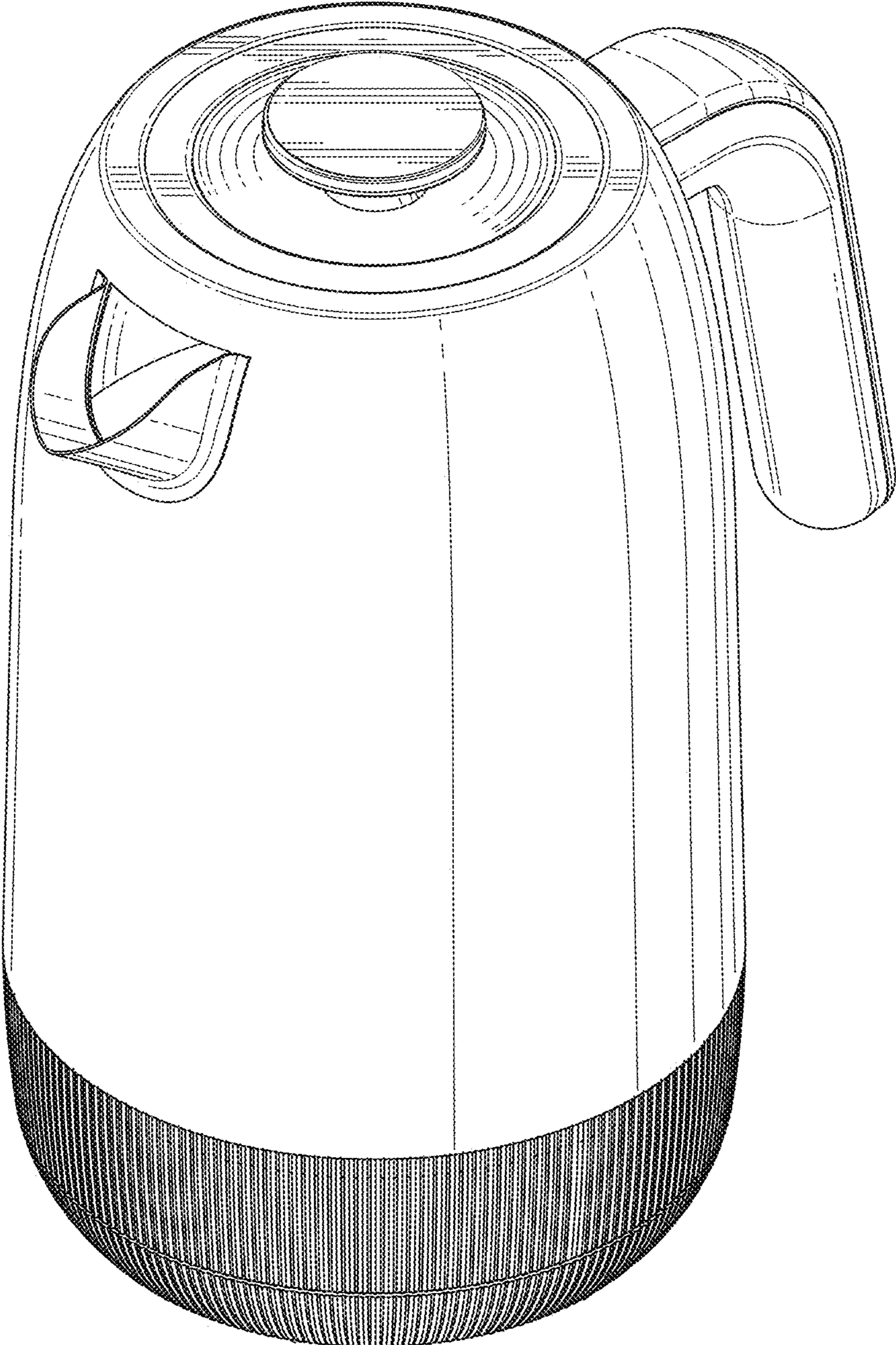


FIG. 2

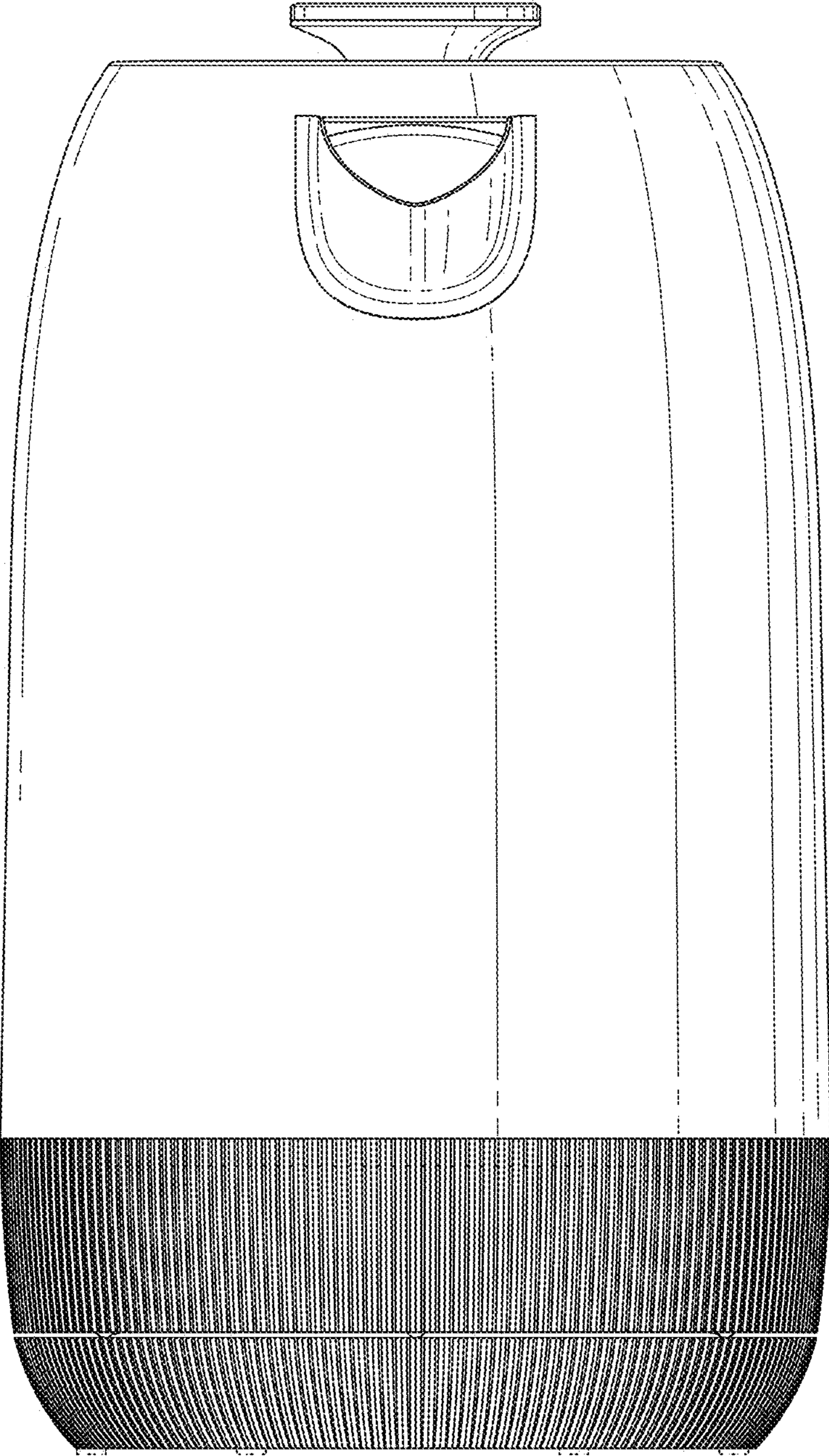


FIG. 3

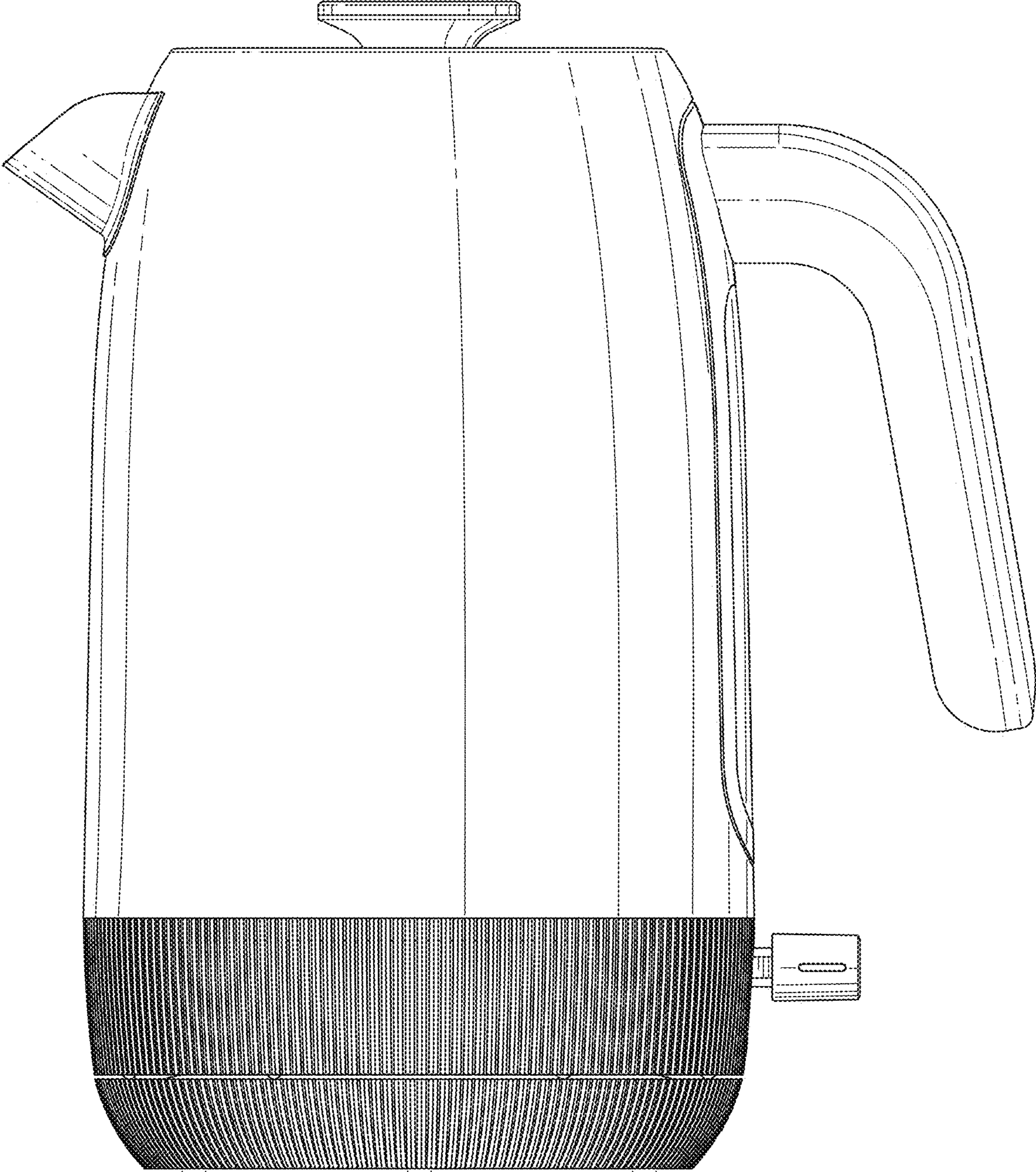


FIG. 4

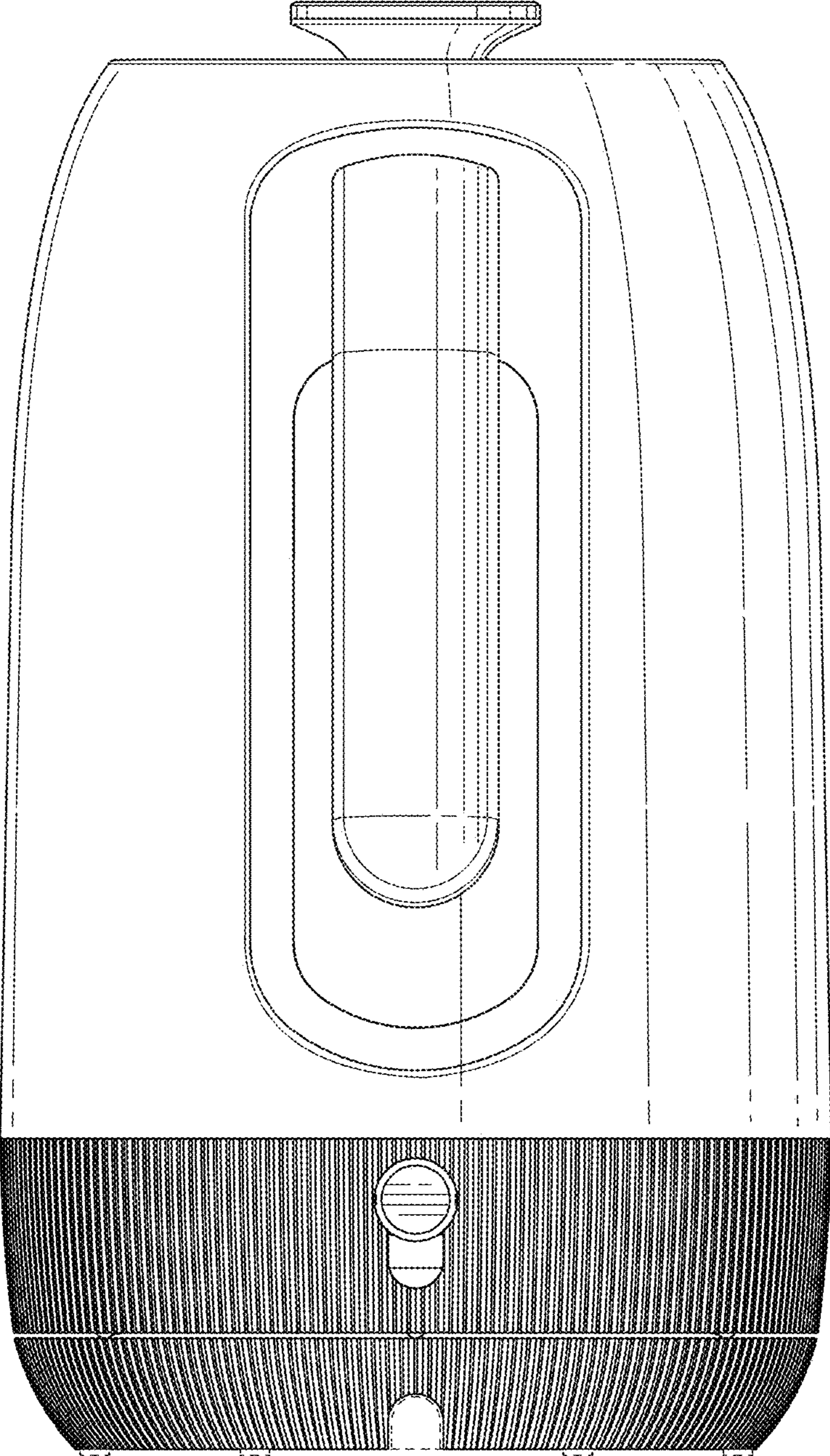


FIG. 5

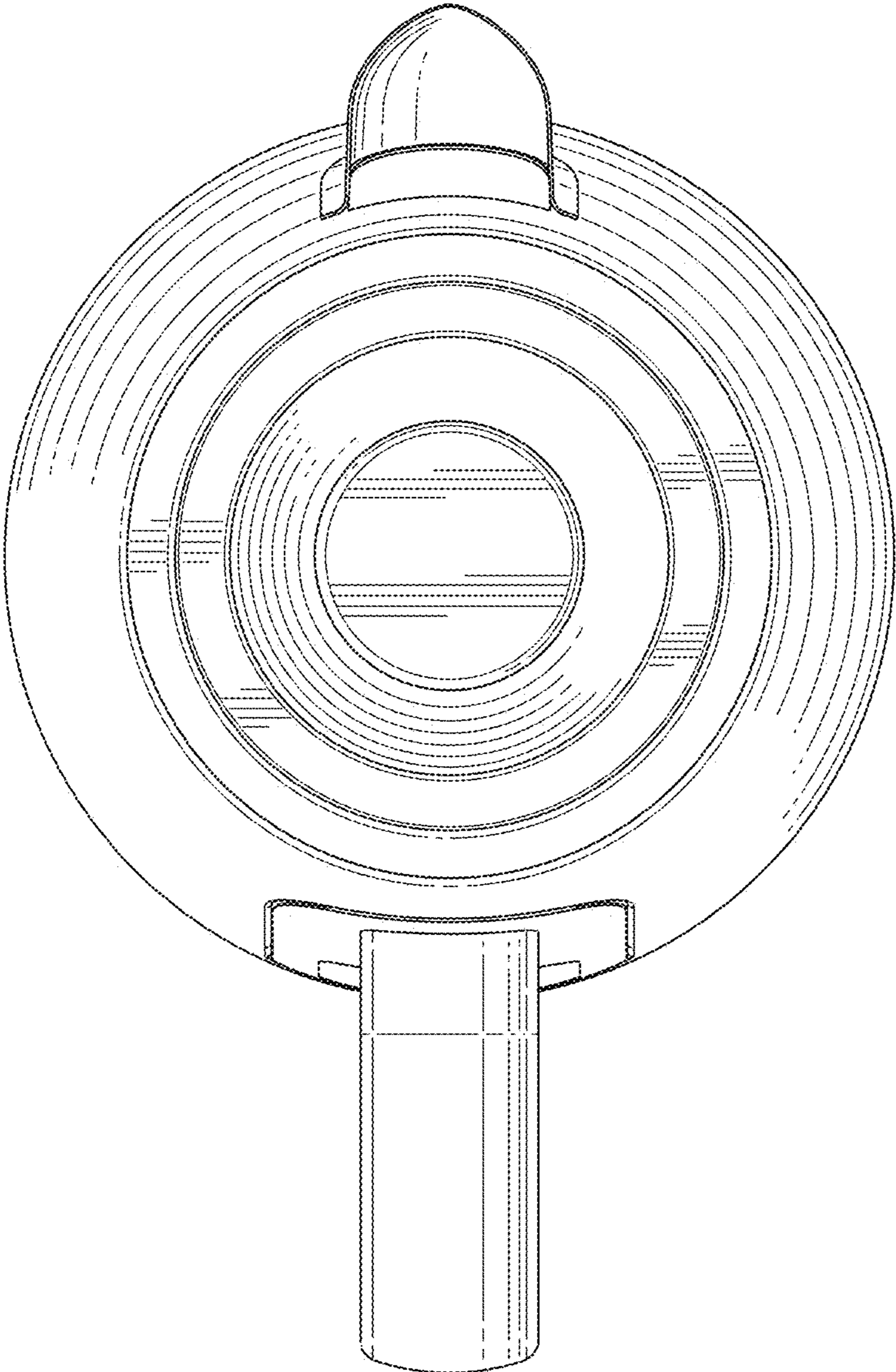


FIG. 6

