



US00D967664S

(12) **United States Design Patent** (10) **Patent No.:** **US D967,664 S**
Tian (45) **Date of Patent:** **** Oct. 25, 2022**

(54) **DOSING CUP**
(71) Applicant: **Yudan Tian**, Shenzhen (CN)
(72) Inventor: **Yudan Tian**, Shenzhen (CN)
(**) Term: **15 Years**
(21) Appl. No.: **29/827,735**
(22) Filed: **Feb. 22, 2022**
(51) **LOC (13) Cl.** **07-01**
(52) **U.S. Cl.**
USPC **D7/316**; D24/121; D24/224
(58) **Field of Classification Search**
USPC D10/46.2, 46, 46.3, 52, 60, 66, 103, 101;
D9/439, 440, 447, 452-454; D24/121,
D24/123, 224, 197, 120, 231, 232, 216;
D32/29.1; D23/206-209; D7/302, 303,
D7/316
CPC B65D 41/04; B65D 2251/023; B65D
41/0485; B65D 41/3428
See application file for complete search history.

D870,554 S * 12/2019 Dziaba D9/428
D878,573 S * 3/2020 Luebbers D24/121
D906,111 S * 12/2020 Griffin D9/454
D912,271 S * 3/2021 Rathbone D24/224
D930,154 S * 9/2021 Luebbers D24/121

OTHER PUBLICATIONS

Cdar 54mm Coffee Dosing Cup Dispenser Alloy Powder Feed Part for Espresso Machine, cdar, Amazon, [Post date: Jun. 18, 2021], [Site seen Aug. 17, 2022], Seen at URL: https://www.amazon.com/cdar-Dispenser-Espresso-Machine-Replacement/dp/B097GYQVFX/ref=sr_1_170 (Year: 2021).*

(Continued)

Primary Examiner — Natasha Vujcic
Assistant Examiner — Gilbert B Ford
(74) *Attorney, Agent, or Firm* — ScienBiziP, P.C.

(57) **CLAIM**

I claim, the ornamental design for a dosing cup, as shown and described.

(56) **References Cited**

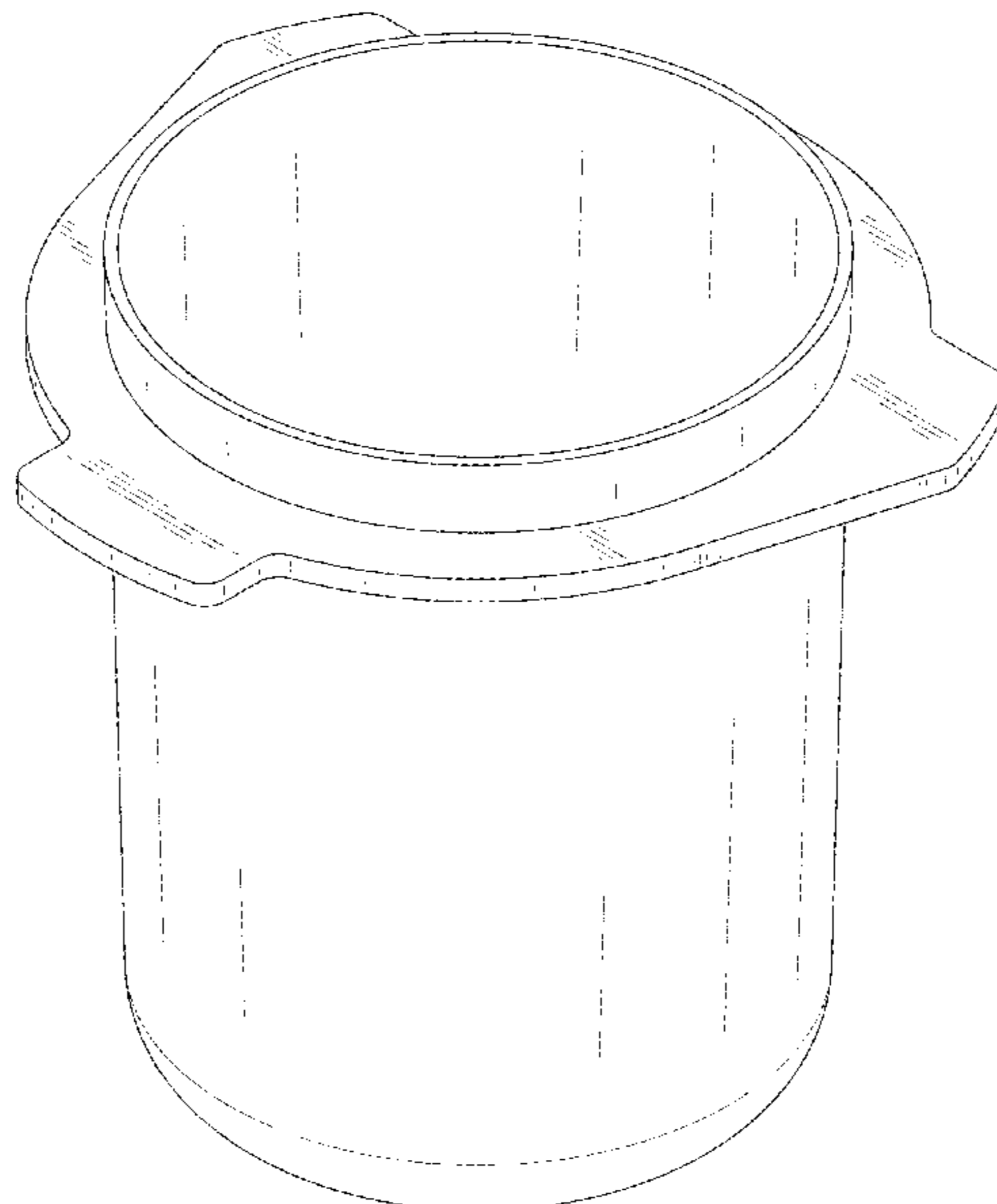
U.S. PATENT DOCUMENTS

D268,158 S 3/1983 Doyel
D342,784 S * 12/1993 Passiak D24/123
D404,663 S * 1/1999 Prindle D10/46.2
D418,363 S * 1/2000 Barnes D9/449
D491,275 S * 6/2004 Walters D24/224
D598,743 S * 8/2009 LaMasney D9/417
D670,578 S 11/2012 Perry et al.
D677,398 S * 3/2013 Belfance D24/224
D697,799 S * 1/2014 Sanders D9/447
D739,038 S * 9/2015 Perry D24/224
D759,515 S * 6/2016 Arenas D10/46.2
D819,443 S * 6/2018 Martinez Carregui D9/439
D847,329 S * 4/2019 Schlueter A61J 19/00
D24/123
D858,170 S * 9/2019 Chan D7/316
D858,691 S * 9/2019 Zou D23/209

DESCRIPTION

FIG. 1 is a right, front, and top perspective view of a dosing cup, showing my design.
FIG. 2 is a left, rear, and bottom perspective view thereof.
FIG. 3 is a front elevation view thereof.
FIG. 4 is a rear elevation view thereof.
FIG. 5 is a left side elevation view thereof.
FIG. 6 is a right side elevation view thereof.
FIG. 7 is a top plan view thereof.
FIG. 8 is a bottom plan view thereof; and,
FIG. 9 is a cross-sectional view of the dosing cup of FIG. 1, taken along section line 9-9 as depicted in FIG. 3.

1 Claim, 9 Drawing Sheets



(56)

References Cited

OTHER PUBLICATIONS

Gurudar 54mm Hands-Free Espresso Dosing Cup, Food Grade Aluminium, Gurudar, Amazon, [Postdate: Nov. 26, 2021], [Site seen: Aug. 17, 2022], Seen at URL: https://www.amazon.com/GURUDAR-Hands-Free-Espresso-Aluminium-Alloy-Compatible/dp/B09MLWJWBM/ref=sr_1_67_sspa (Year: 2021).*

Firjoy 53.3mm Dosing Cup—Fits Breville 54mm Portafilters, Firjoy, Amazon, [Post date: Jan. 1, 2022], [Site seen Aug. 17, 2022], Seen at URL: https://www.amazon.com/FIRJOY-53-3mm-Dosing-Cup-Portafilters/dp/B09N3BNJJB/ref=sr_1_6 (Year: 2022).*

Portafilter Dosing Cup Espresso Coffee Accessrioies, Useamie, Amazon, [Post date: Feb. 12, 2022], [Site seen: Aug. 17, 2022], Seen at URL: https://www.amazon.com/Portafilter-Espresso-Accessrioies-Compatible-Breville/dp/B09SCSWXL6/ref=sr_1_25 (Year: 2022).*

* cited by examiner

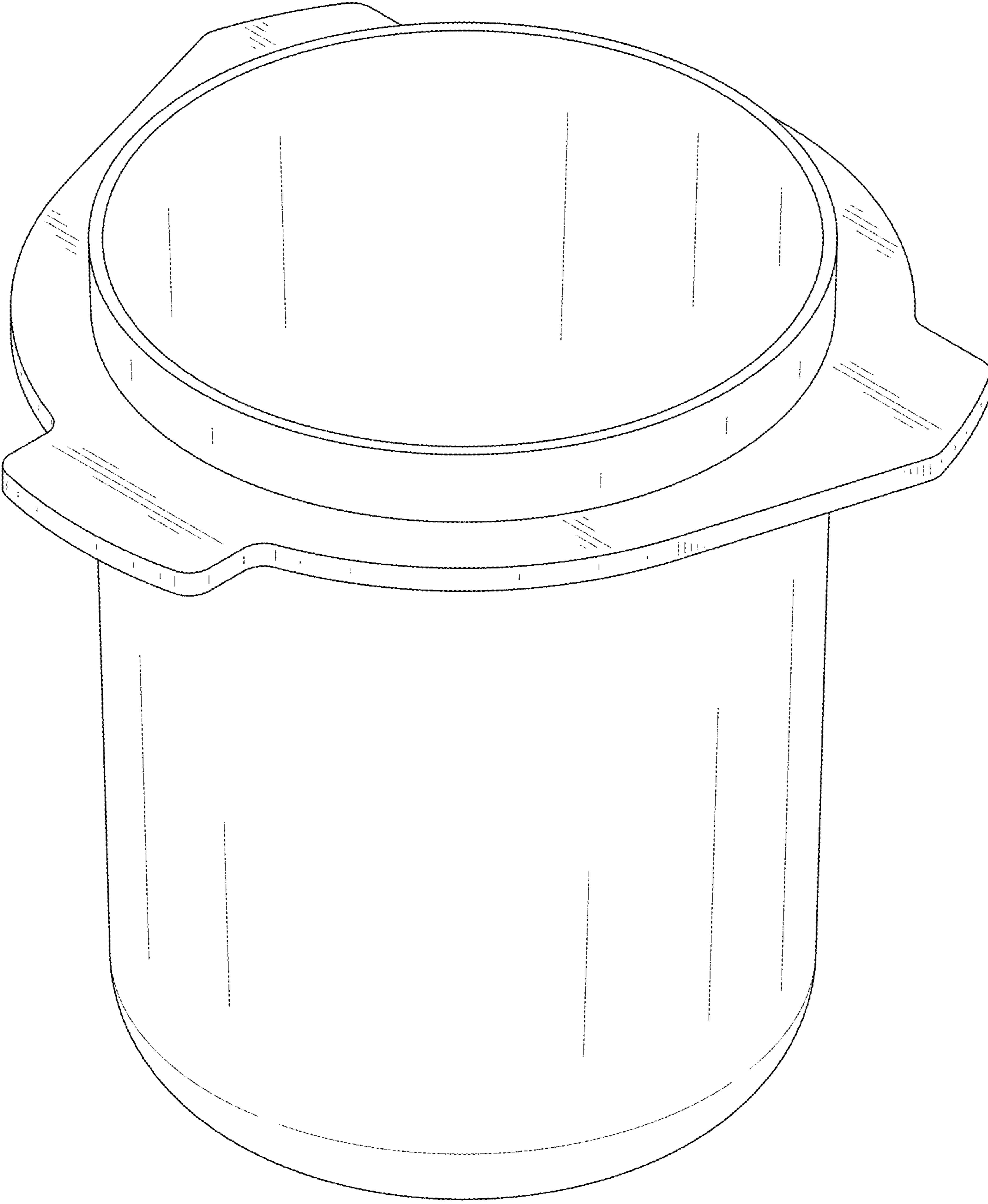


FIG. 1

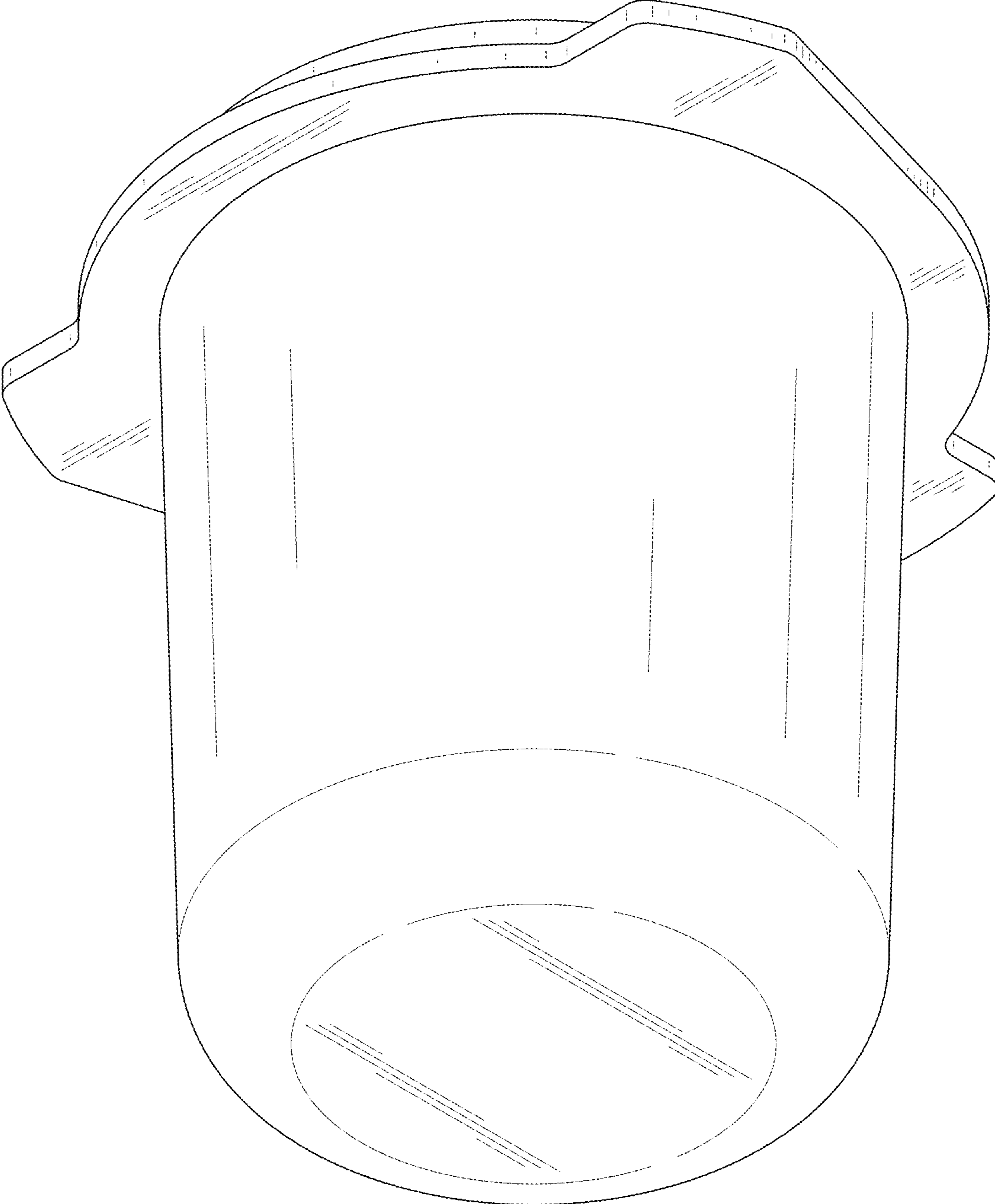


FIG. 2

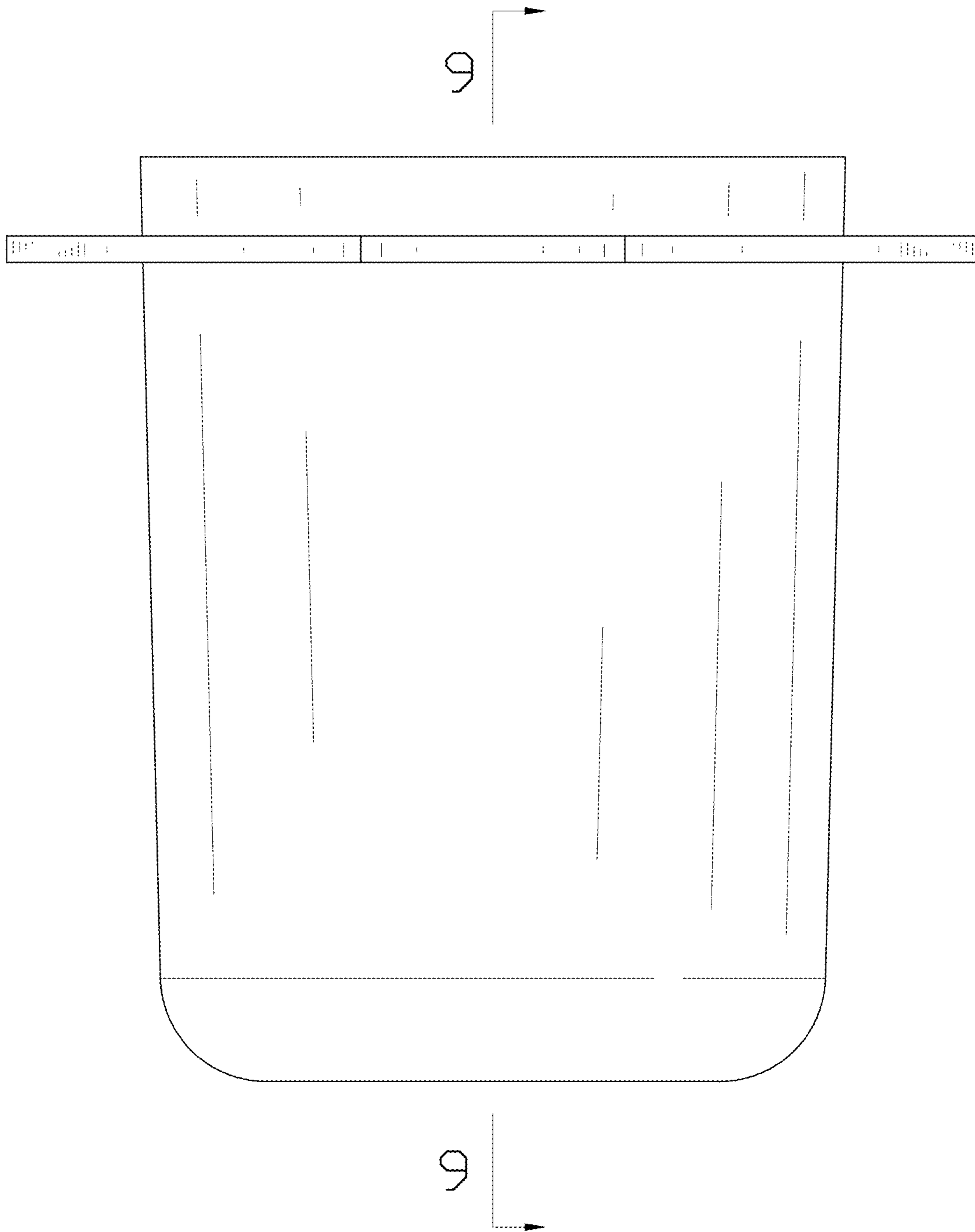


FIG. 3

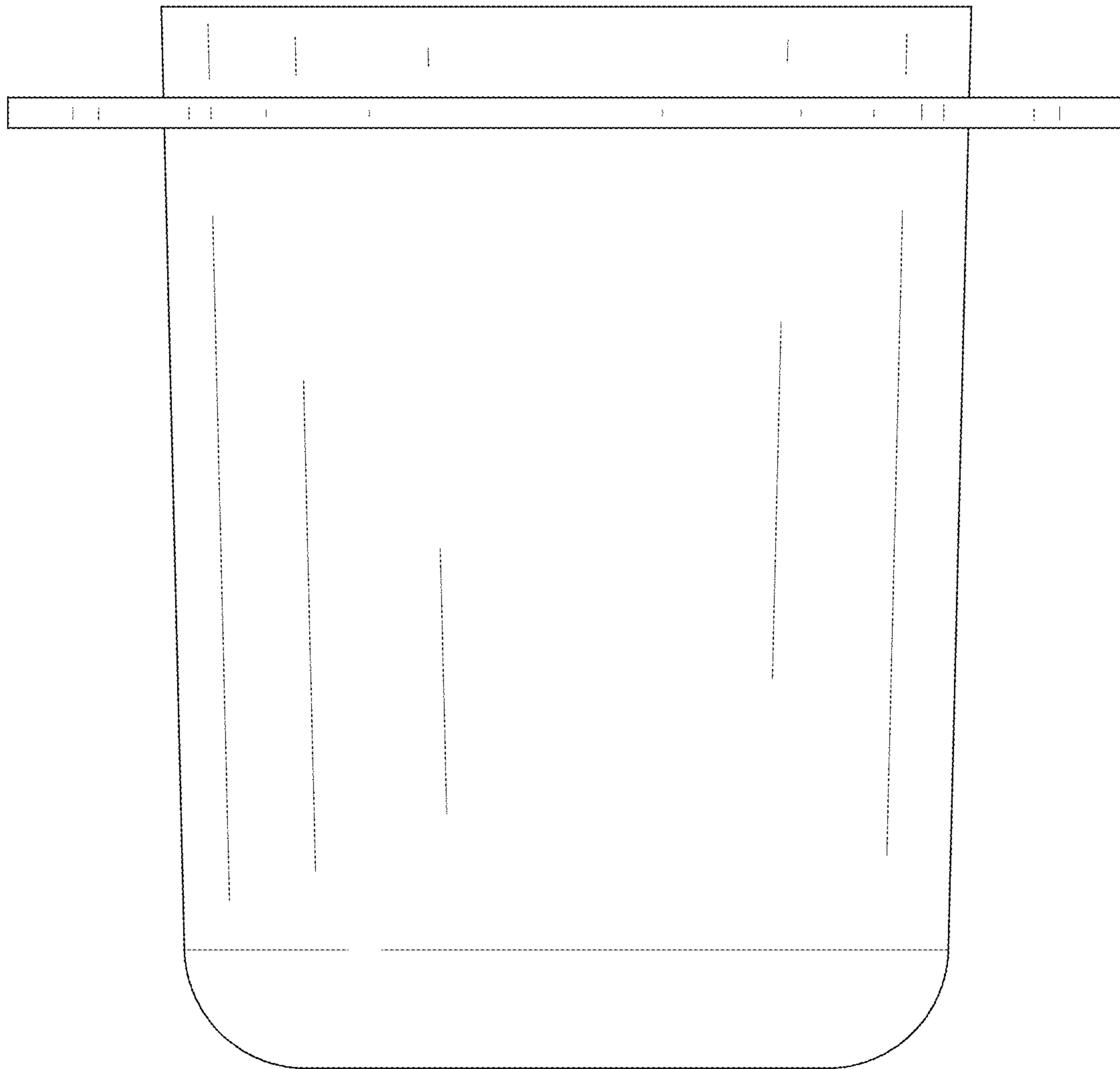


FIG. 4

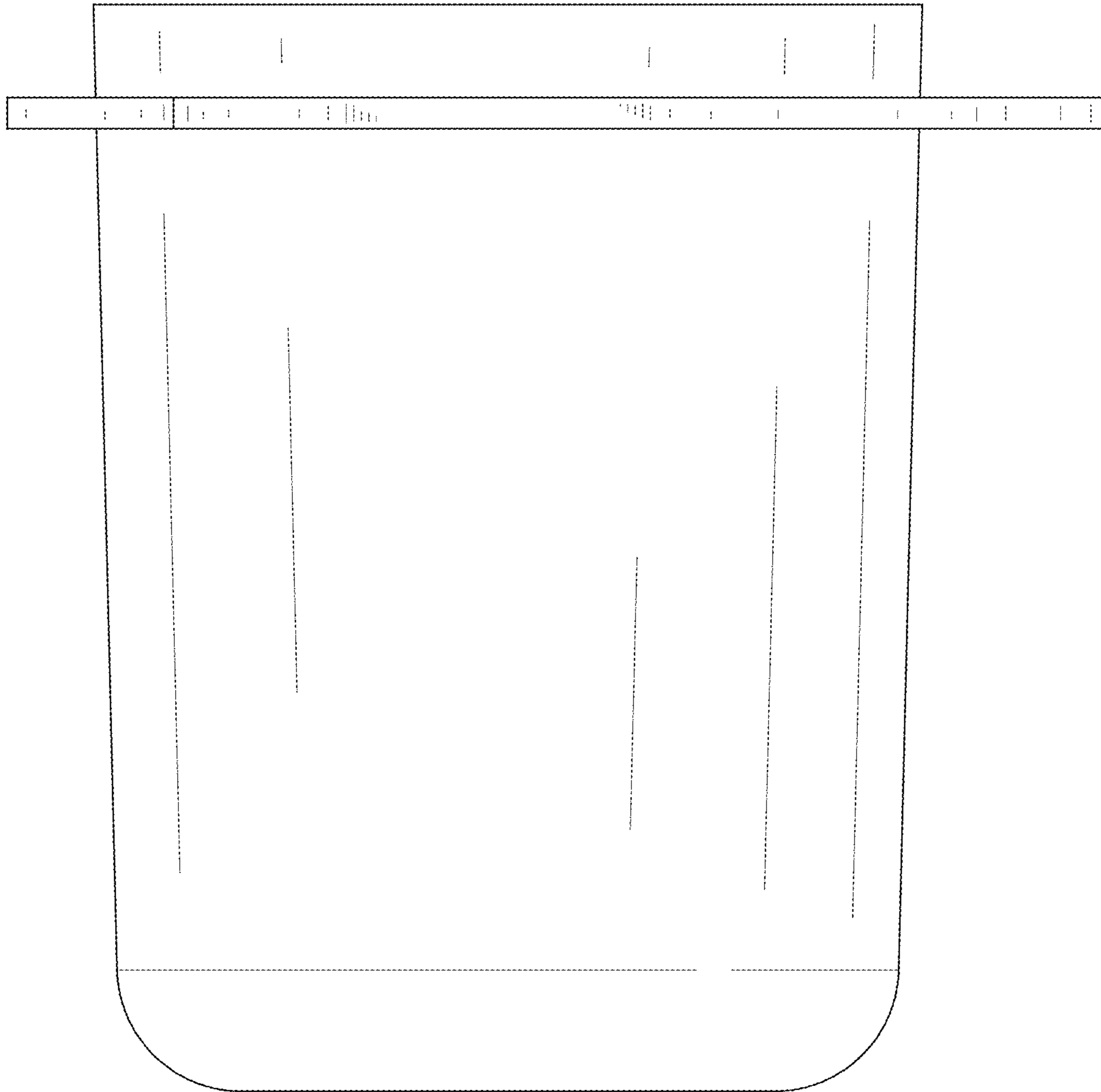


FIG. 5

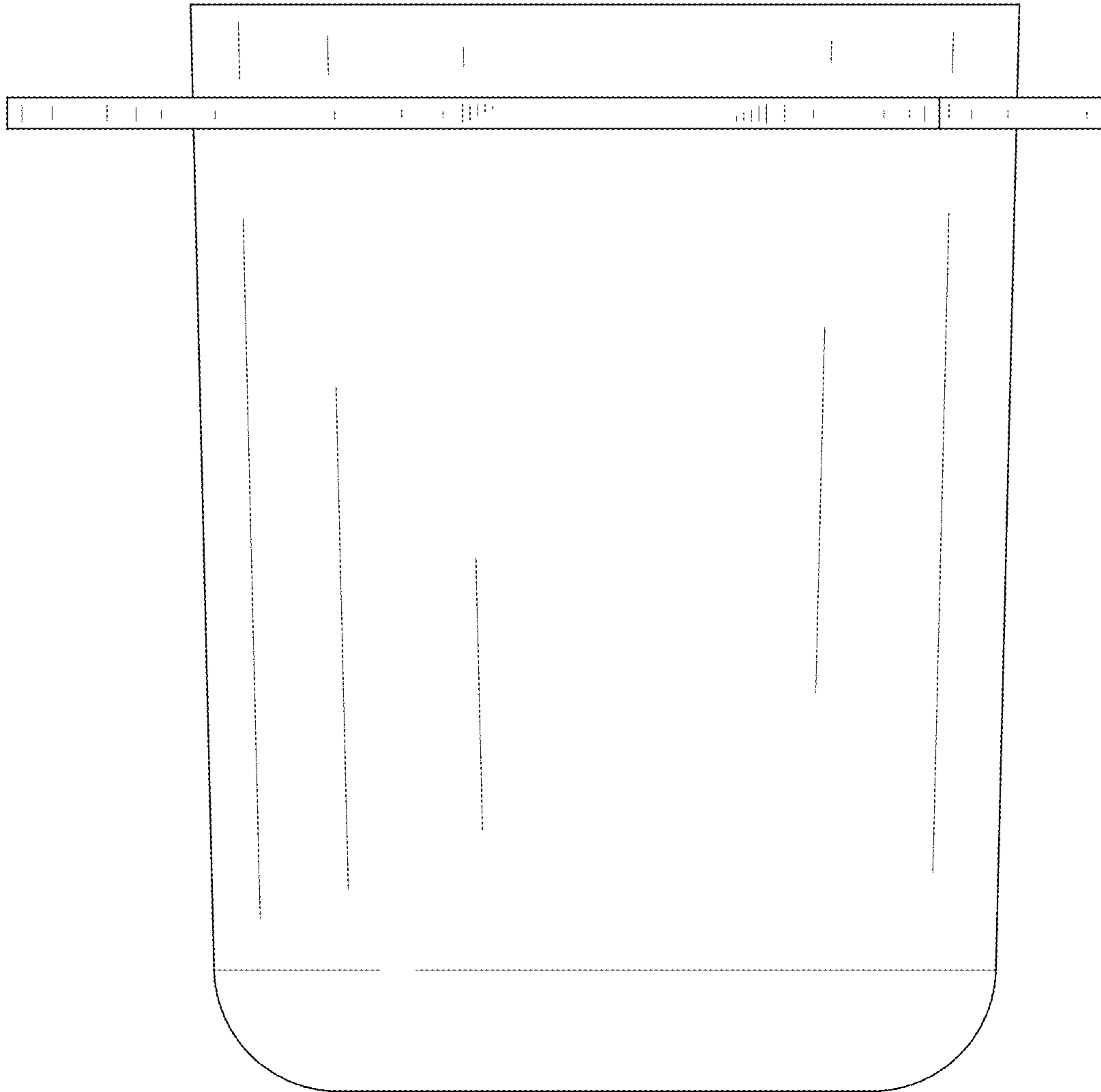


FIG. 6

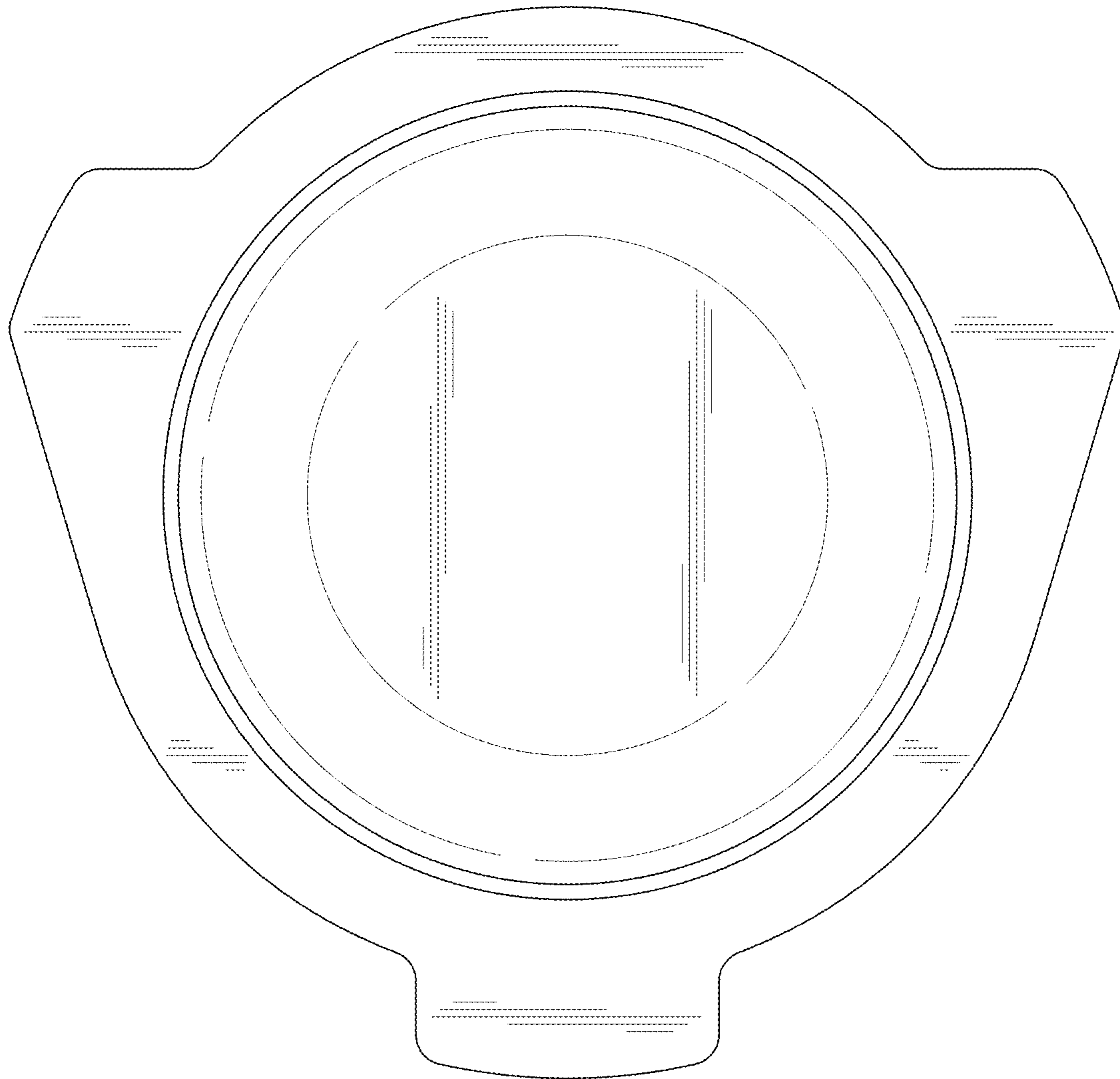


FIG. 7

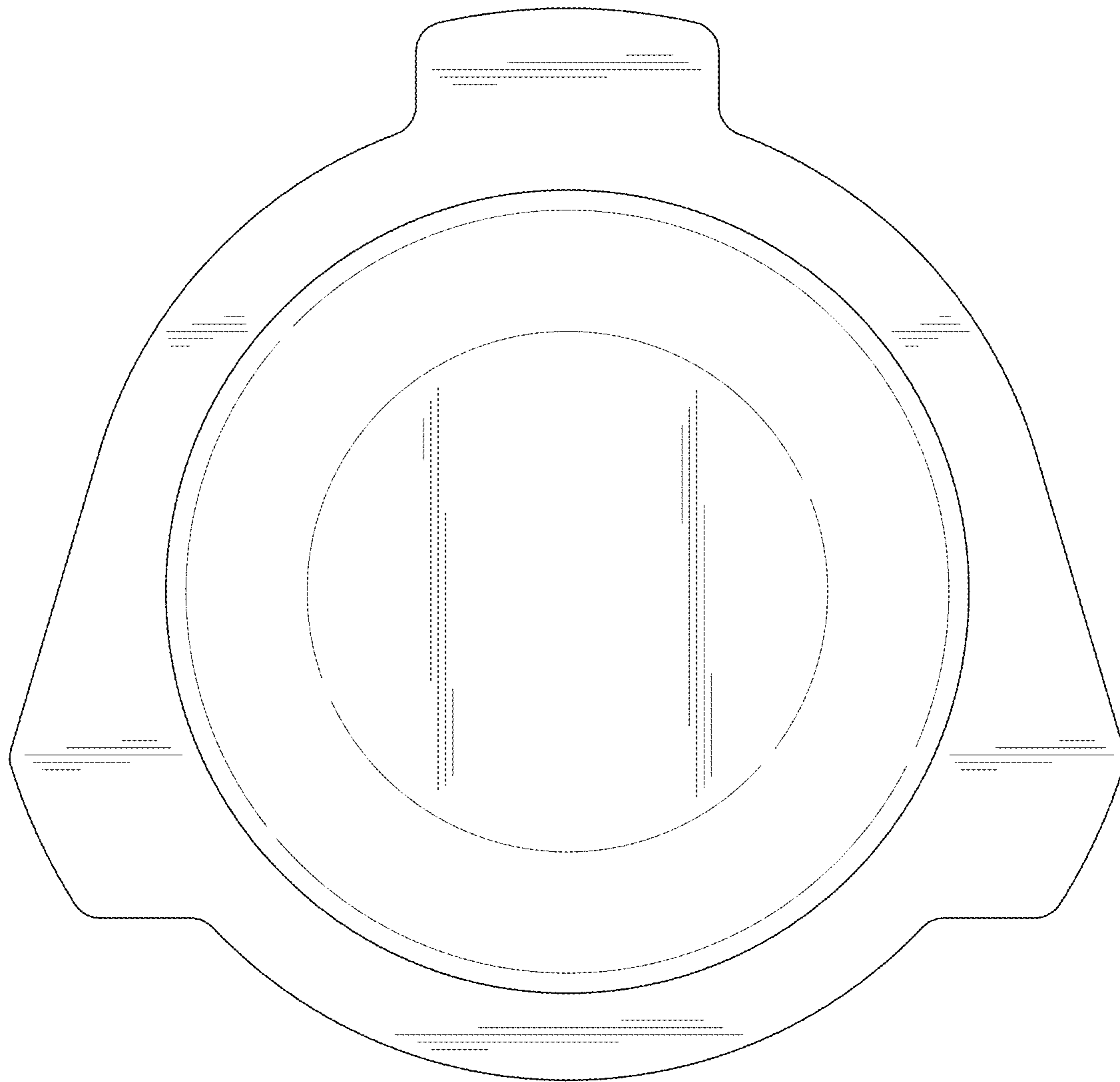


FIG. 8

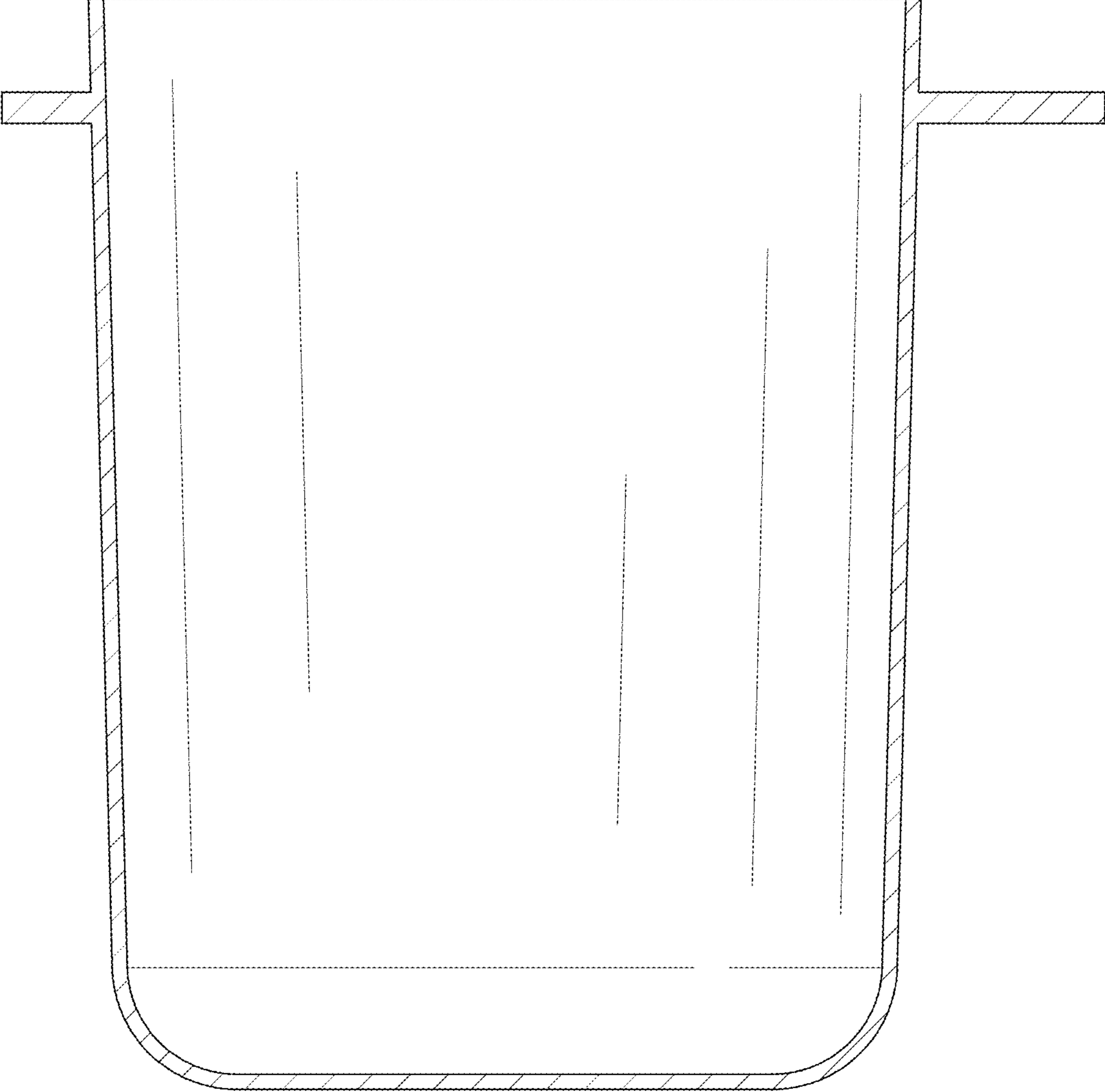


FIG. 9