



US00D967663S

(12) **United States Design Patent** (10) **Patent No.:** **US D967,663 S**  
**Collins et al.** (45) **Date of Patent:** **\*\* Oct. 25, 2022**

(54) **BEVERAGE DISPENSER**

(71) Applicant: **Cana Technology, Inc.**, Redwood City, CA (US)

(72) Inventors: **David M. Collins**, Portland, OR (US); **Douglas B. Satzger**, Menlo Park, CA (US); **Nicholas D. Posner**, Redwood City, CA (US); **Anthony Prats**, San Francisco, CA (US); **Matthew Ambauen**, San Francisco, CA (US); **Matthew Mahar**, Lafayette, CA (US); **Gregory Allen Springer**, Los Altos, CA (US)

(73) Assignee: **Cana Technology, Inc.**, Redwood City, CA (US)

(\*\*) Term: **15 Years**

(21) Appl. No.: **29/818,205**

(22) Filed: **Dec. 7, 2021**

(51) **LOC (13) Cl.** ..... **07-01**

(52) **U.S. Cl.**

USPC ..... **D7/311**; D7/306

(58) **Field of Classification Search**

USPC ..... D7/300, 305, 306–313, 315, 397–399;  
D15/82; D23/207, 209

CPC ..... A47J 31/00; A47J 31/043; A47J 31/0647;  
A47J 31/0668; A47J 31/10; A47J 31/18;  
A47J 31/24; A47J 31/3614; A47J  
31/3619; A47J 31/3623; A47J 31/3628;  
A47J 31/3638; A47J 31/3695; A47J  
31/40; A47J 31/407; A47J 31/4403; A47J  
31/446; A47J 31/4485; A47J 31/4492;  
A47J 31/52; A47J 31/54; A47J 31/56;  
B67D 2210/0001

See application file for complete search history.

(56) **References Cited**

**U.S. PATENT DOCUMENTS**

D167,744 S \* 9/1952 Dreyfuss ..... D7/311  
3,220,334 A \* 11/1965 Martin ..... A47J 31/057  
222/395  
3,336,856 A \* 8/1967 Martin ..... A47J 31/057  
99/300  
D260,152 S \* 8/1981 Crosby, Jr. .... D7/311

(Continued)

**FOREIGN PATENT DOCUMENTS**

CN 306825933 \* 9/2021  
GB 8080527000-1000 \* 4/2013

(Continued)

**OTHER PUBLICATIONS**

D.ti\_50, “Ceragem New Ohho Intelligent Water Treatment System,”  
Apr. 27, 2020, Ebay, www.ebay.com/itm/313065636986 (Year: 2020).\*

(Continued)

*Primary Examiner* — Joseph Kukella

*Assistant Examiner* — Arva P Adams

(74) *Attorney, Agent, or Firm* — Daylight Law, P.C.

(57) **CLAIM**

The ornamental design for a beverage dispenser, as shown and described.

**DESCRIPTION**

FIG. 1 is a top-front-right perspective view of a beverage dispenser showing our new design;

FIG. 2 is a bottom-front-right perspective view thereof;

FIG. 3 is a front view thereof;

FIG. 4 is a left-side view thereof;

FIG. 5 is a back view thereof;

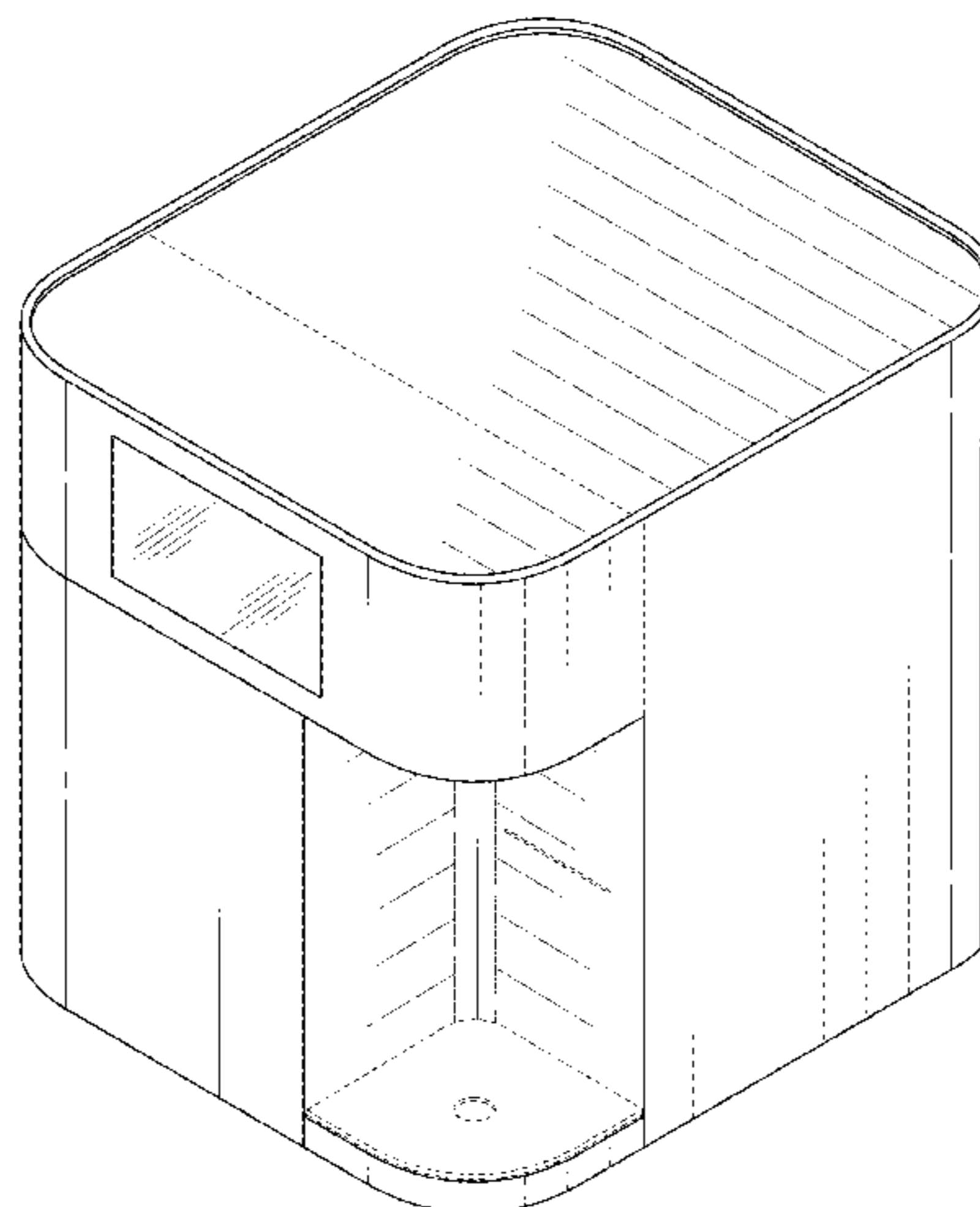
FIG. 6 is a right-side view thereof;

FIG. 7 is a top view thereof; and,

FIG. 8 is a bottom view thereof.

The broken lines in FIGS. 1-8 depict portions of the beverage dispenser that form no part of the claimed design.

**1 Claim, 8 Drawing Sheets**



(56)

References Cited

U.S. PATENT DOCUMENTS

D273,654 S \* 5/1984 Sedam ..... A47J 31/057  
 D7/307  
 D285,890 S \* 9/1986 Jack ..... A47J 31/60  
 D7/309  
 D295,939 S \* 5/1988 Dole ..... A47J 31/41  
 D7/311  
 D296,408 S \* 6/1988 Gaunt ..... D7/311  
 D303,903 S \* 10/1989 Yoshiaki ..... D7/305  
 D316,796 S \* 5/1991 Kirschner ..... D7/311  
 D321,806 S \* 11/1991 Chaney ..... D7/311  
 D324,319 S \* 3/1992 Faerber ..... D7/311  
 D351,965 S \* 11/1994 Credle, Jr. .... D7/311  
 D482,231 S \* 11/2003 Dickson, Jr. .... D7/378  
 6,973,869 B1 \* 12/2005 Lin ..... A47J 31/057  
 99/275  
 D581,717 S \* 12/2008 Parker ..... D7/309  
 D587,956 S \* 3/2009 Adachi  
 D651,444 S \* 1/2012 Lee ..... A47J 31/057  
 D7/311  
 D778,098 S \* 2/2017 Horimoto ..... A47J 31/407  
 D7/311  
 D782,242 S \* 3/2017 Lee ..... D7/311  
 D789,133 S \* 6/2017 Gnadinger  
 D834,870 S \* 12/2018 Steiner ..... D7/311  
 D873,068 S \* 1/2020 Wilson ..... D7/376  
 D879,535 S \* 3/2020 Ricica ..... D7/311  
 11,337,545 B1 \* 5/2022 Davies ..... A47J 31/60  
 11,337,547 B1 \* 5/2022 Posner ..... A47J 31/41  
 2021/0196074 A1 \* 7/2021 Guarin ..... A47J 31/407

FOREIGN PATENT DOCUMENTS

WO WO-D079901-001 \* 7/2013  
 WO WO-D103632-002 \* 4/2019

OTHER PUBLICATIONS

“Touchless Countertop Beverage Dispenser,” Apr. 26, 2021, Facility Executive, <https://facilityexecutive.com/2021/04/touchless-countertop-beverage-dispenser/> (Year: 2021).\*

Cana Technology, “We are on a mission to decentralize Big Beverage Inc.,” Mar. 3, 2022, Facebook, [www.facebook.com/cana.technology.inc/photos/a.356490443003328/357534222898950/](http://www.facebook.com/cana.technology.inc/photos/a.356490443003328/357534222898950/) (Year: 2022).\*

“Cana One: 800-Dollar-Gerät soll beliebige Getränke ‘drucken’,” Mar. 7, 2022, Der Standard, [www.derstandard.de/story/2000133876637/cana-one-800-dollar-geraet-soll-beliebige-getraenke-drucken](http://www.derstandard.de/story/2000133876637/cana-one-800-dollar-geraet-soll-beliebige-getraenke-drucken) (Year: 2022).\*

Amazon.com, Soukoo 2 in 1 Water Ice Maker, 26 lbs Daily Ice Cube Makers, Water Dispenser Ice Makers Countertop, Tabletop Ice Maker Machine . . . , accessed online on Dec. 7, 2021, at <https://www.amazon.com/SOUKOO-Dispenser-Countertop-Tabletop-Machine/dp/B09BQCDB4V>, 6 pages.

Borg & Overstrom, When and How to Decommission Your Water Dispenser, blog accessed online on Dec. 21, 2021, at <https://www.borgandoverstrom.com/en/blog/decommission-water-dispenser/>, 1 page.

Ubuy.com, product website for Top Loading Countertop Water Dispenser Hot and Cold, Mini Energy Saving Bottleless Water Cooler Dispenser—Hot Water and Cold Eater (Color:White), accessed online on Dec. 7, 2021, at <https://www.u-buy.com.tw/en/product/2CD1UOVG-top-loading-countertop-water-dispenser-hot-and-cold-mini-energy-saving-bottleless-water-cooler-dispe>, 4 pages.

Waterlogic, “Small but Mighty Countertop Water Dispensers,” product website accessed online on Dec. 7, 2021, at <https://www.waterlogic.com/en-us/office-water-dispensers/countertop-water-dispenser/>, 11 pages.

\* cited by examiner

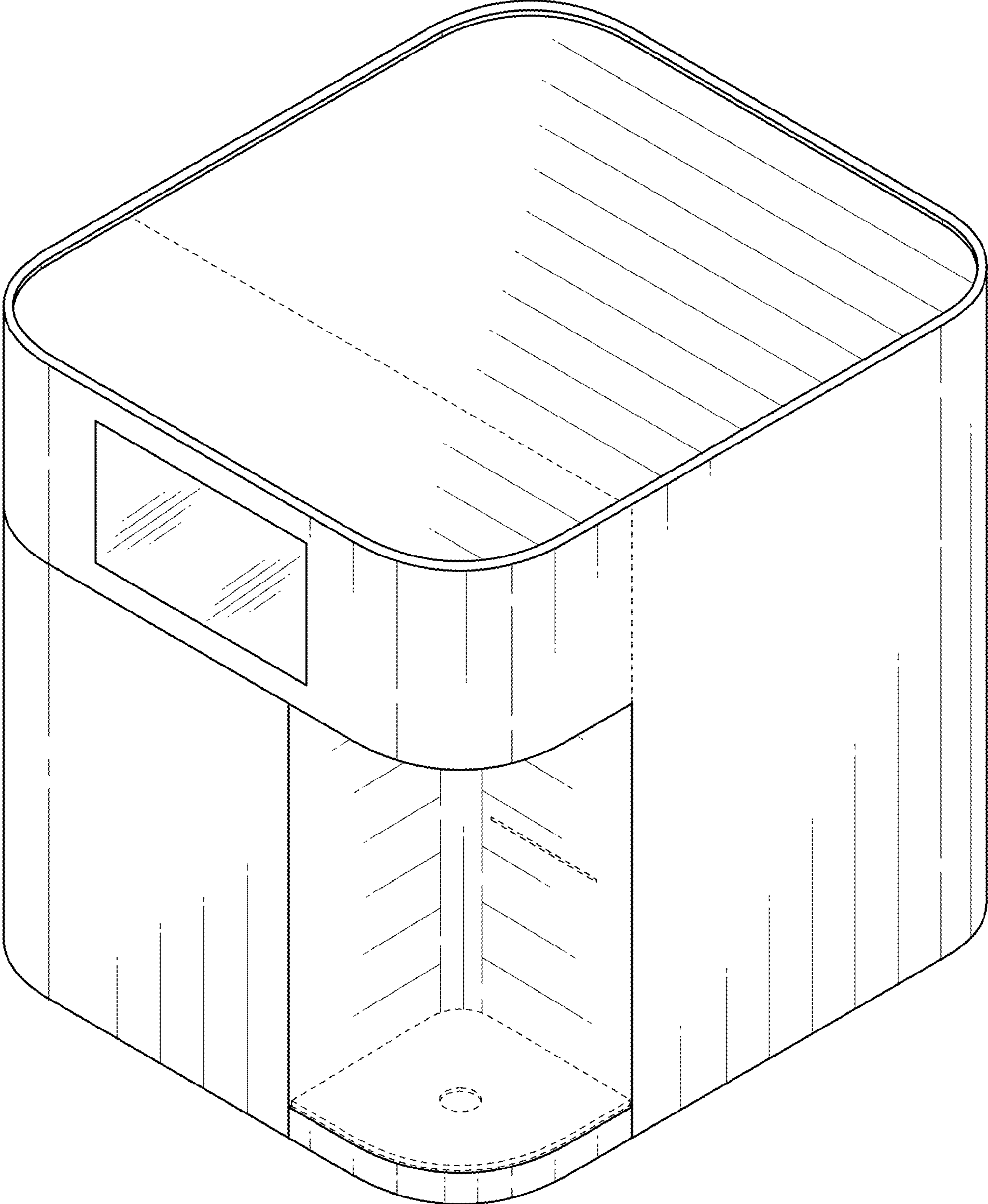


FIG. 1

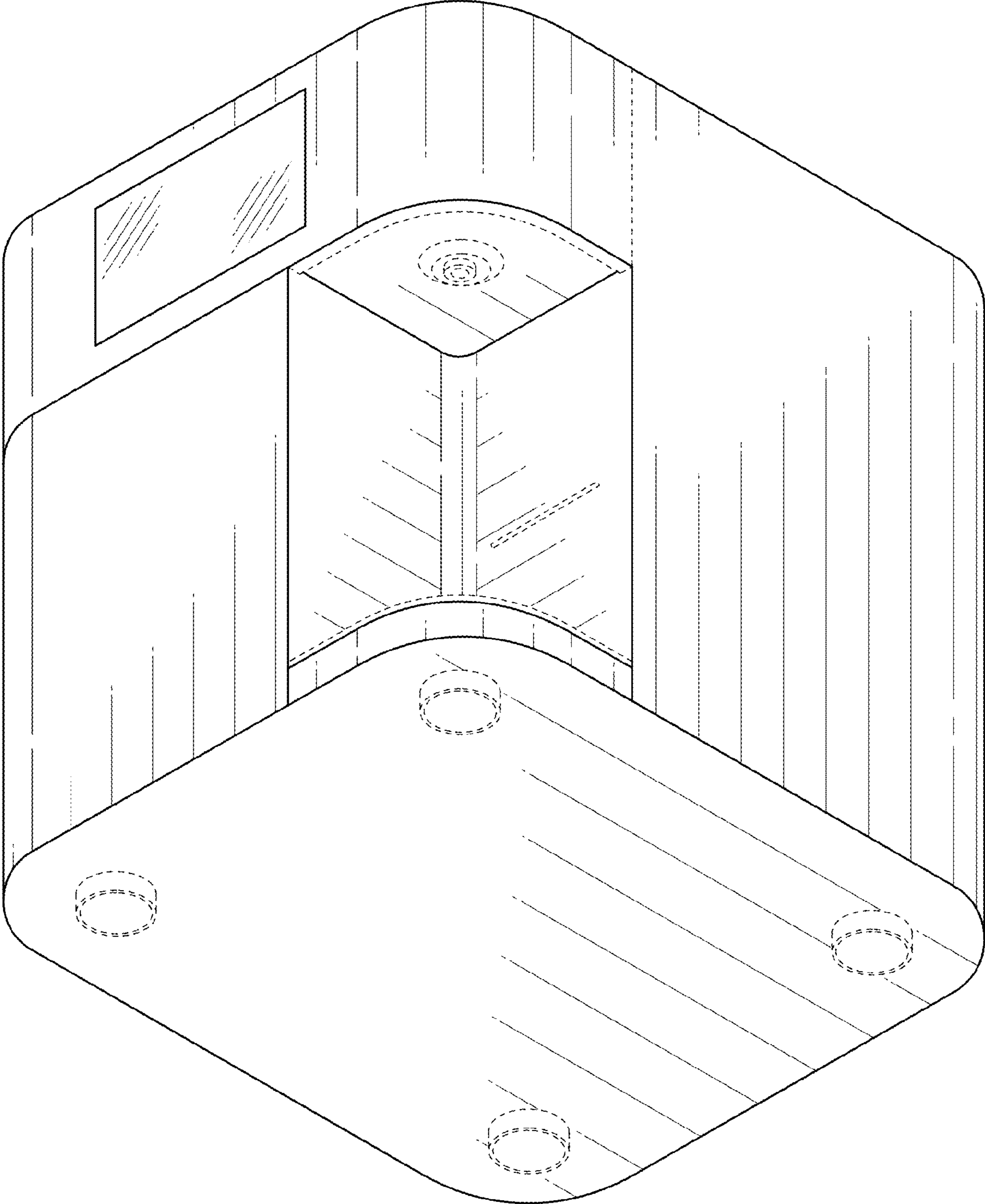


FIG. 2

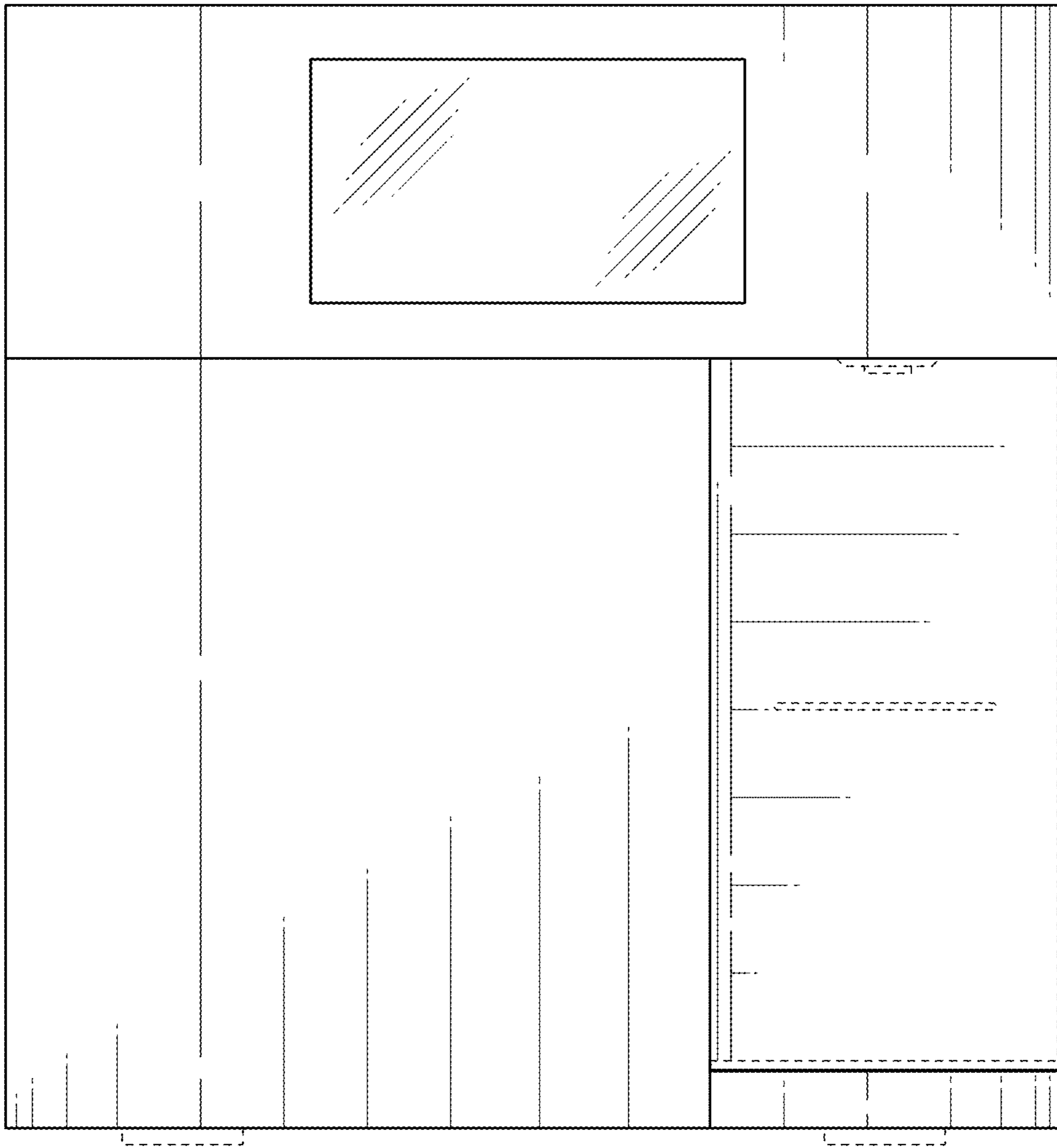


FIG. 3

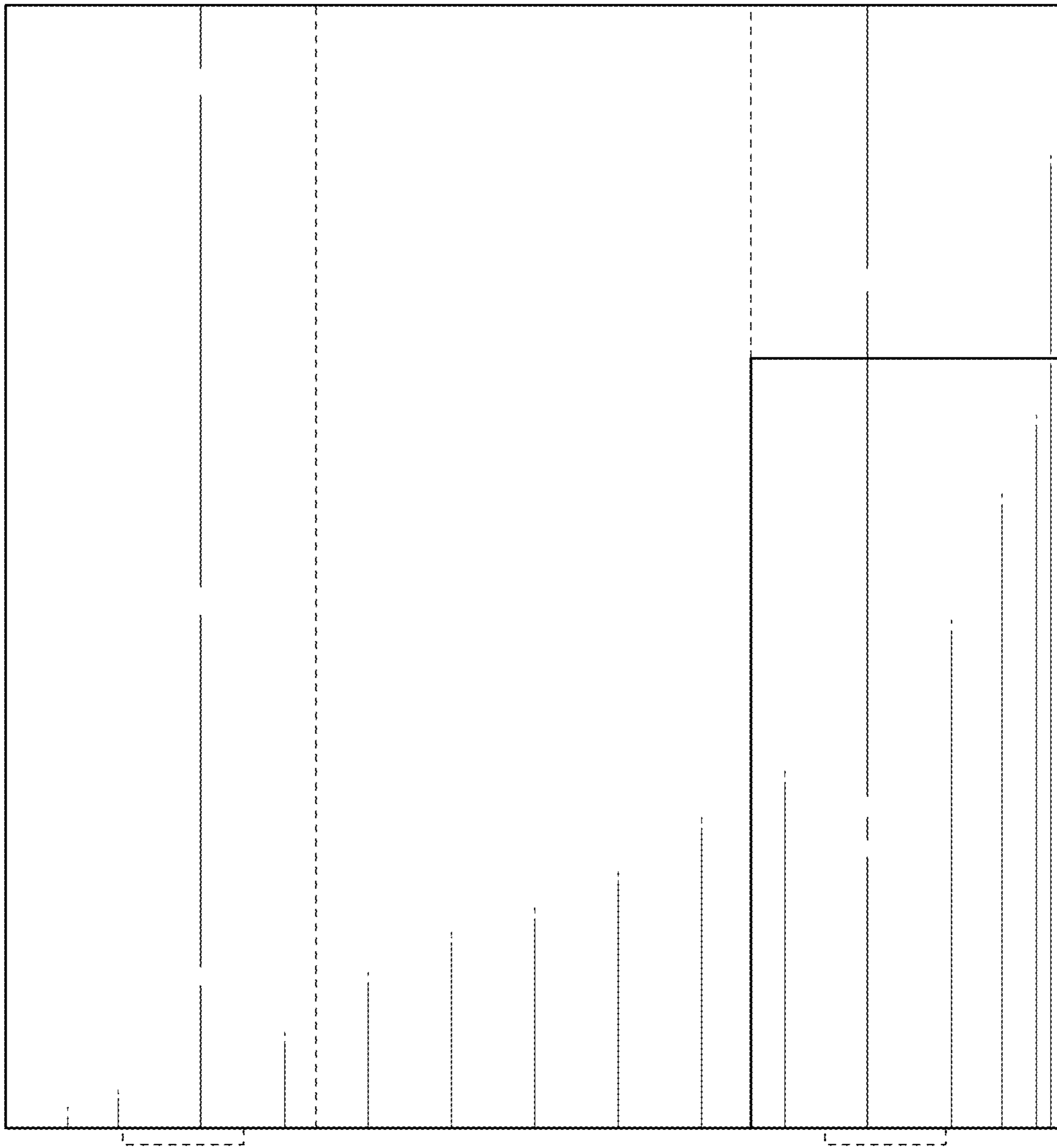


FIG. 4

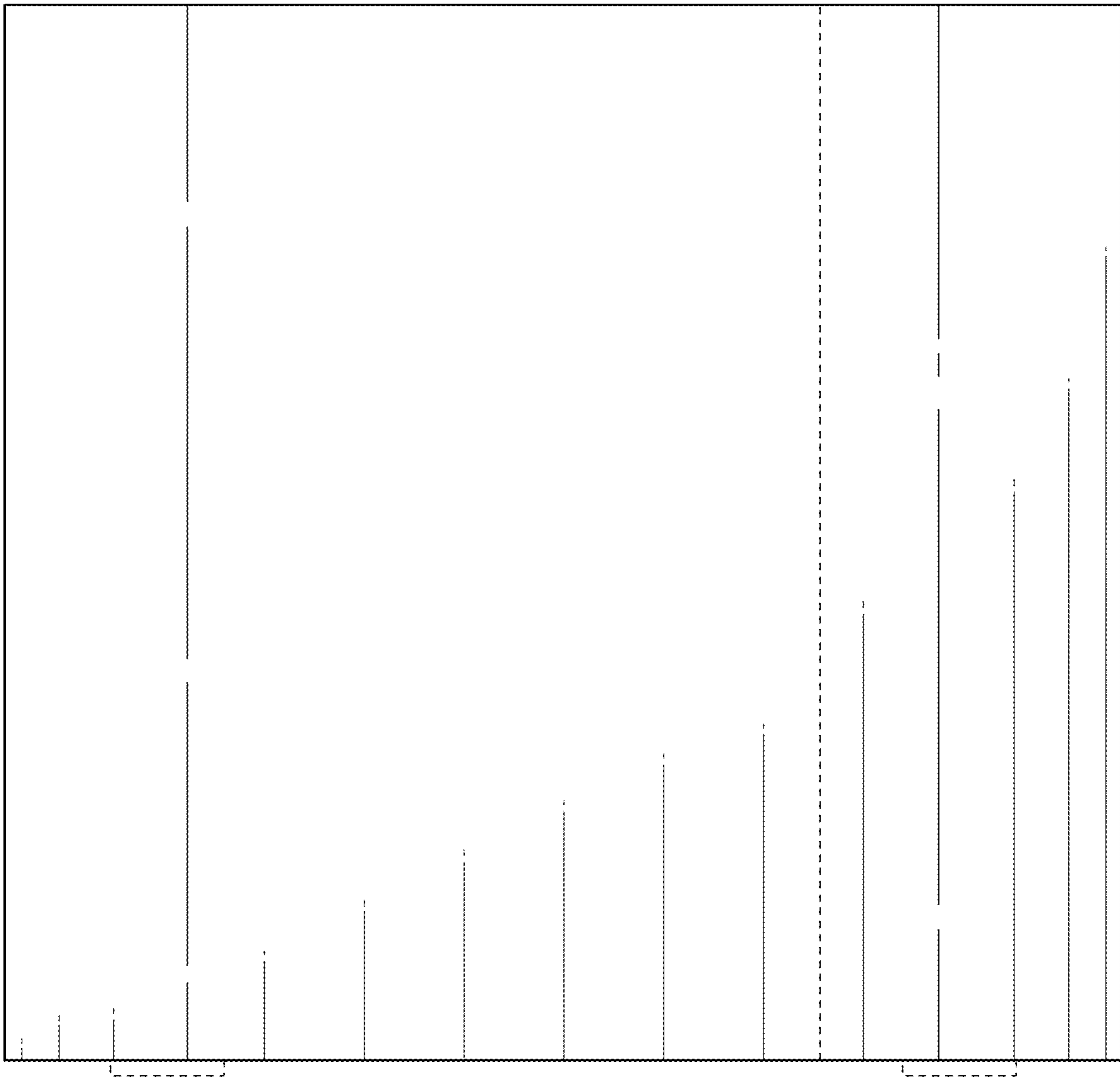


FIG. 5

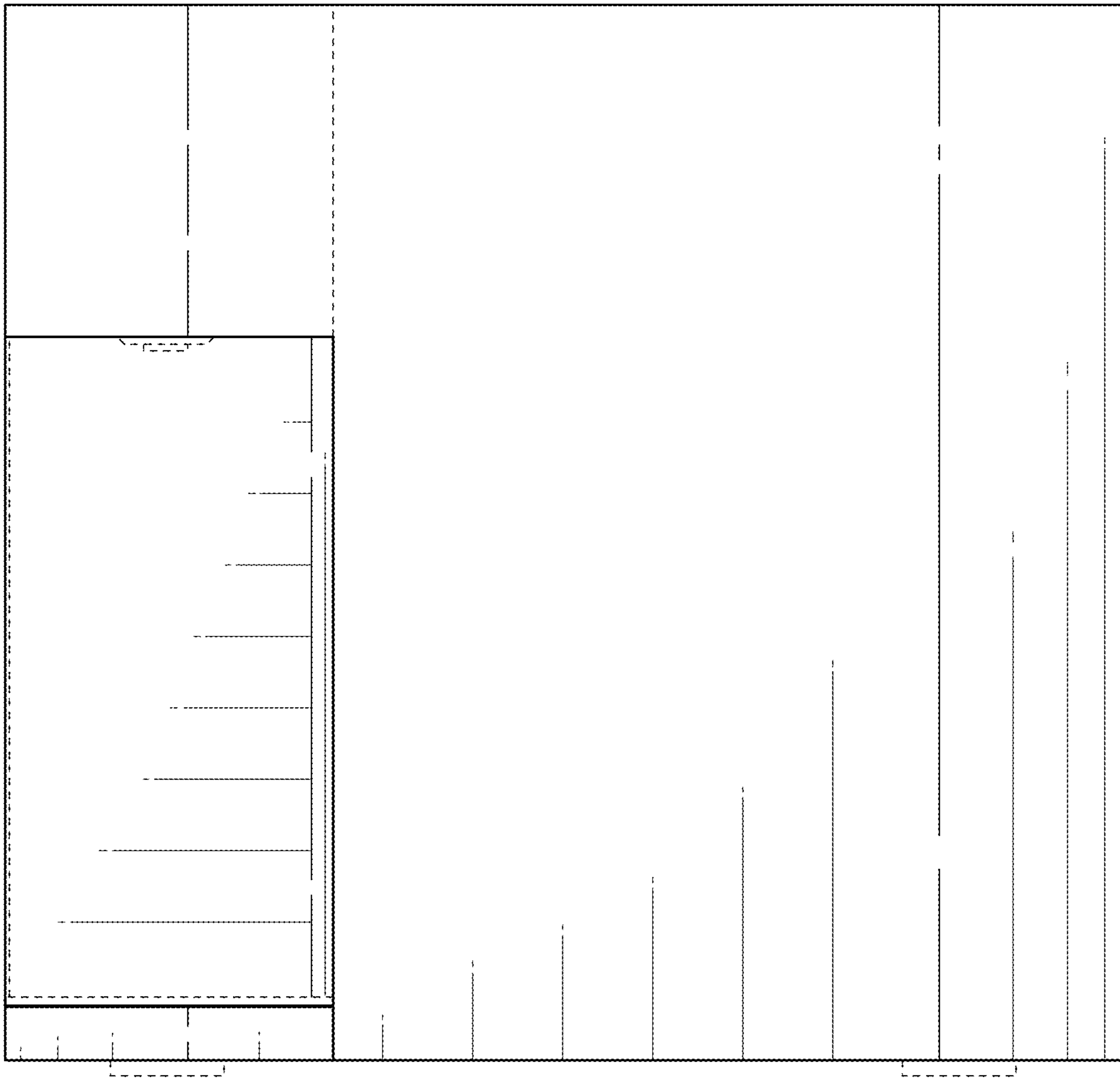


FIG. 6



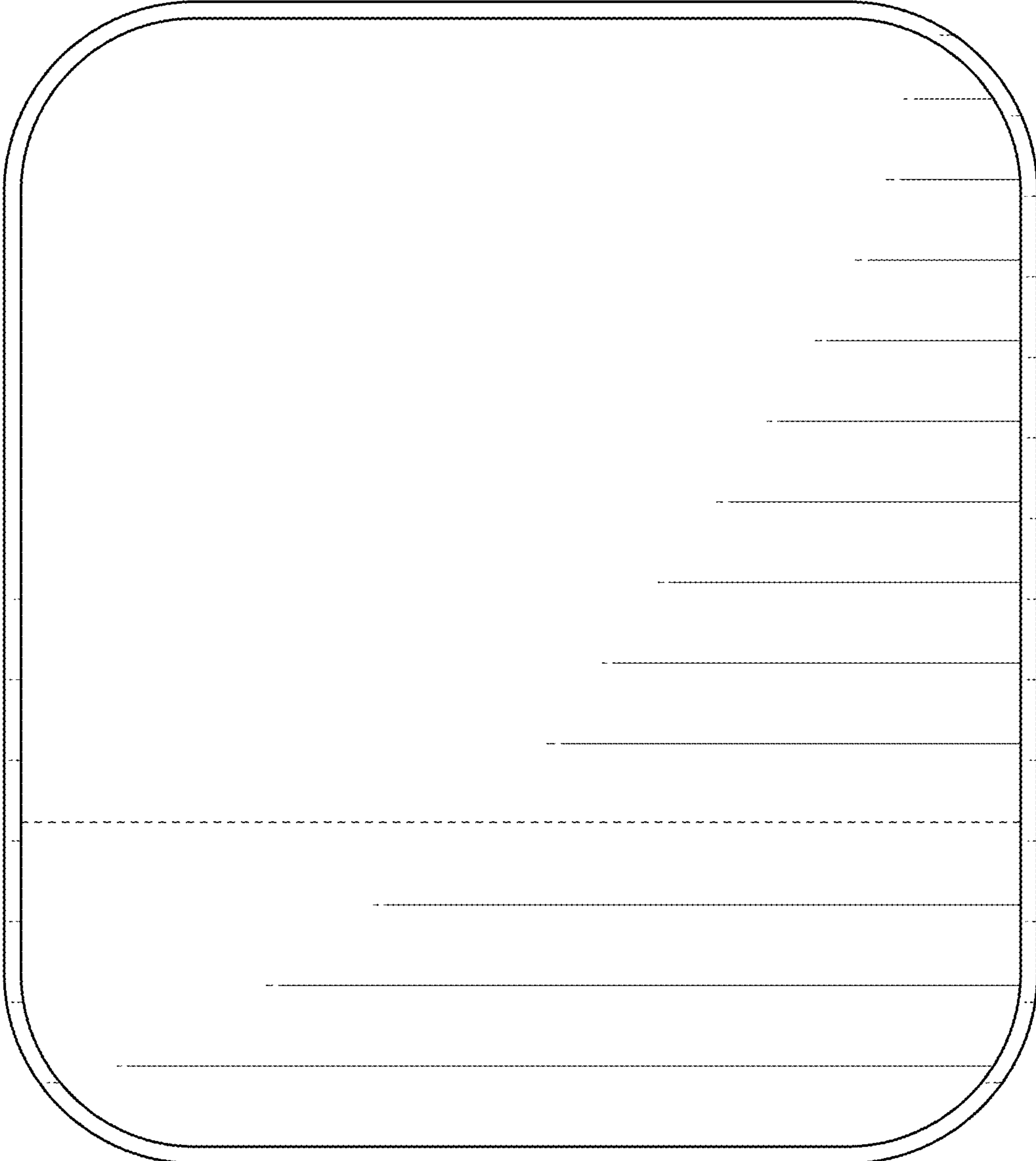


FIG. 7

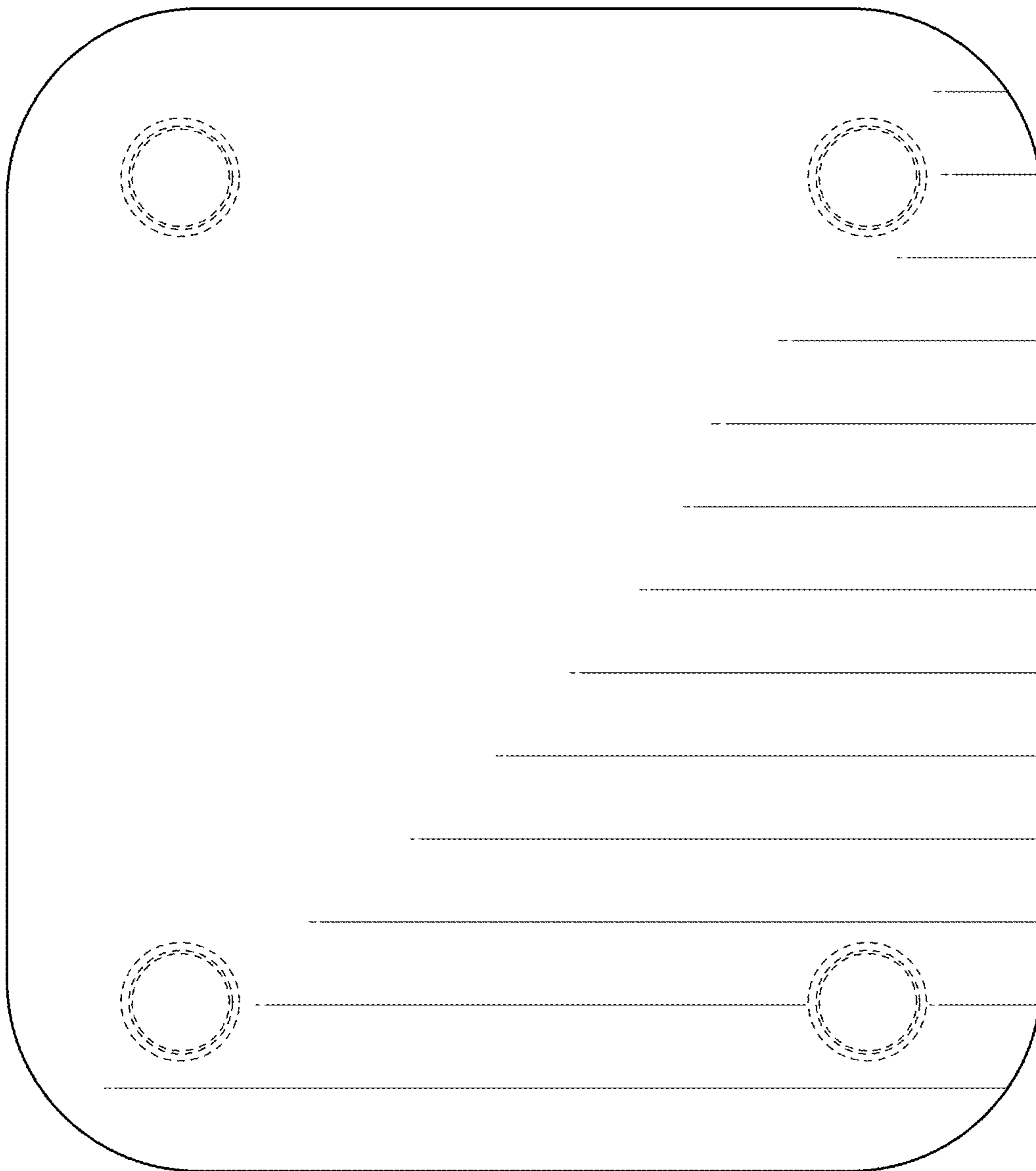


FIG. 8