



US00D967661S

(12) **United States Design Patent**
Huang

(10) **Patent No.:** **US D967,661 S**
(45) **Date of Patent:** **** Oct. 25, 2022**

(54) **OFFICE CHAIR BASE**

(71) Applicant: **Jiaomei Huang**, Shenzhen (CN)

(72) Inventor: **Jiaomei Huang**, Shenzhen (CN)

(**) Term: **15 Years**

(21) Appl. No.: **29/792,457**

(22) Filed: **Mar. 30, 2022**

(51) **LOC (13) Cl.** **06-06**

(52) **U.S. Cl.**
USPC **D6/708.23**

(58) **Field of Classification Search**
USPC D6/334–336, 364, 365, 366, 367, 708.23,
D6/708.24

CPC A47C 7/002; A47C 7/004; A47C 7/006;
A47C 7/18; A47C 7/24; A47C 3/20;
A47C 3/24

See application file for complete search history.

(56) **References Cited**

U.S. PATENT DOCUMENTS

D524,582 S *	7/2006	Tsai	D6/708.23
D549,014 S *	8/2007	Donati	D6/708.23
D652,223 S *	1/2012	Fujita	D6/366
D653,480 S *	2/2012	Tsai	D6/708.23
D665,591 S *	8/2012	Tanaka	D6/366
D665,603 S *	8/2012	Huang et al.		
D683,151 S *	5/2013	Smith	D6/366
D697,730 S *	1/2014	Smith	D6/366

OTHER PUBLICATIONS

Mastery Mart Office Chair Base Replacement Heavy Duty, Metal Desk Chair Base Replacement Parts with Universal Gas Cylinder

Hole and Casters Sockets, 2400+Lbs, Diameter 28", Matte Black, from amazon.com, Date First Available: Apr. 3, 2022, pp. 1 and 8, from https://www.amazon.com/Mastery-Replacement-Cylinder-Diameter/dp/B09X4MHQP4/ref=sr_1_5?keywords=office+chair+base&qid=1660183480&sr=8-5 (Year: 2022).*

* cited by examiner

Primary Examiner — Mimosa De

(57) **CLAIM**

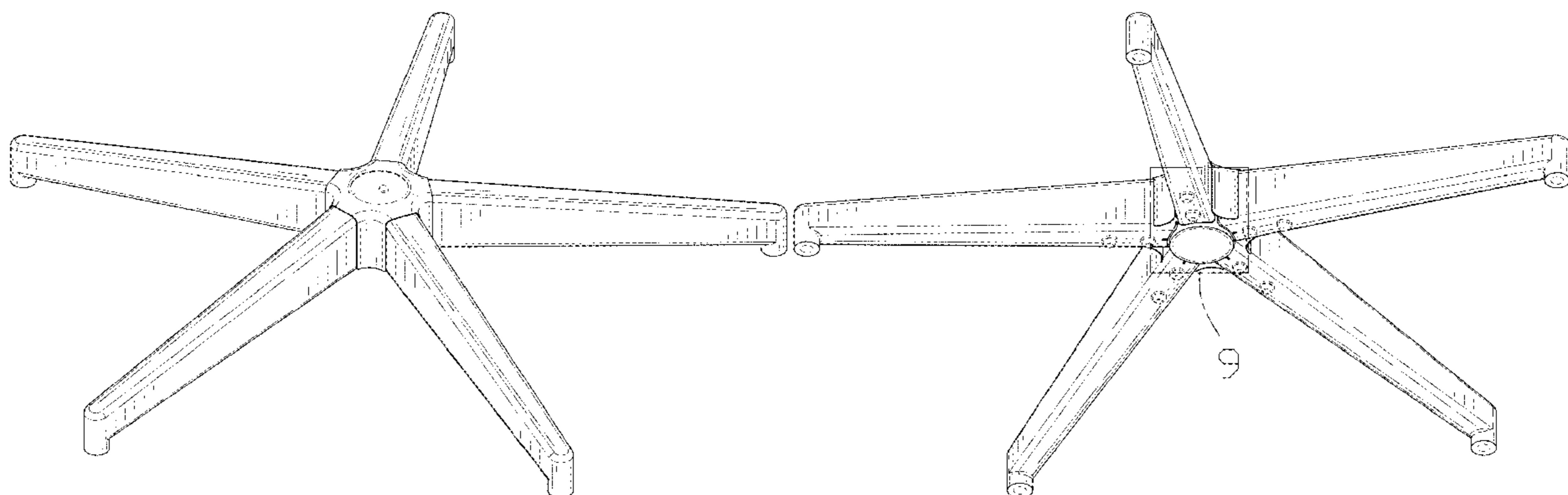
The ornamental design for an office chair base, as shown and described.

DESCRIPTION

FIG. 1 is a front and top perspective view of an office chair base, showing my new design;
FIG. 2 is a rear and bottom perspective view thereof;
FIG. 3 is a front elevation view thereof;
FIG. 4 is a rear elevation view thereof;
FIG. 5 is a left side elevation view thereof;
FIG. 6 is a right side elevation view thereof;
FIG. 7 is a top plan view thereof;
FIG. 8 is a bottom plan view thereof; and,
FIG. 9 is an enlarged view of a portion indicated with numeric 9 in FIG. 2.

The broken lines in the figures illustrate portions of the office chair base that form no part of the claimed design. The dash dot dash lines in FIGS. 2 and 9 are for the purpose of depicting the boundary lines of the enlarged view and form no part of the claimed design.

1 Claim, 9 Drawing Sheets



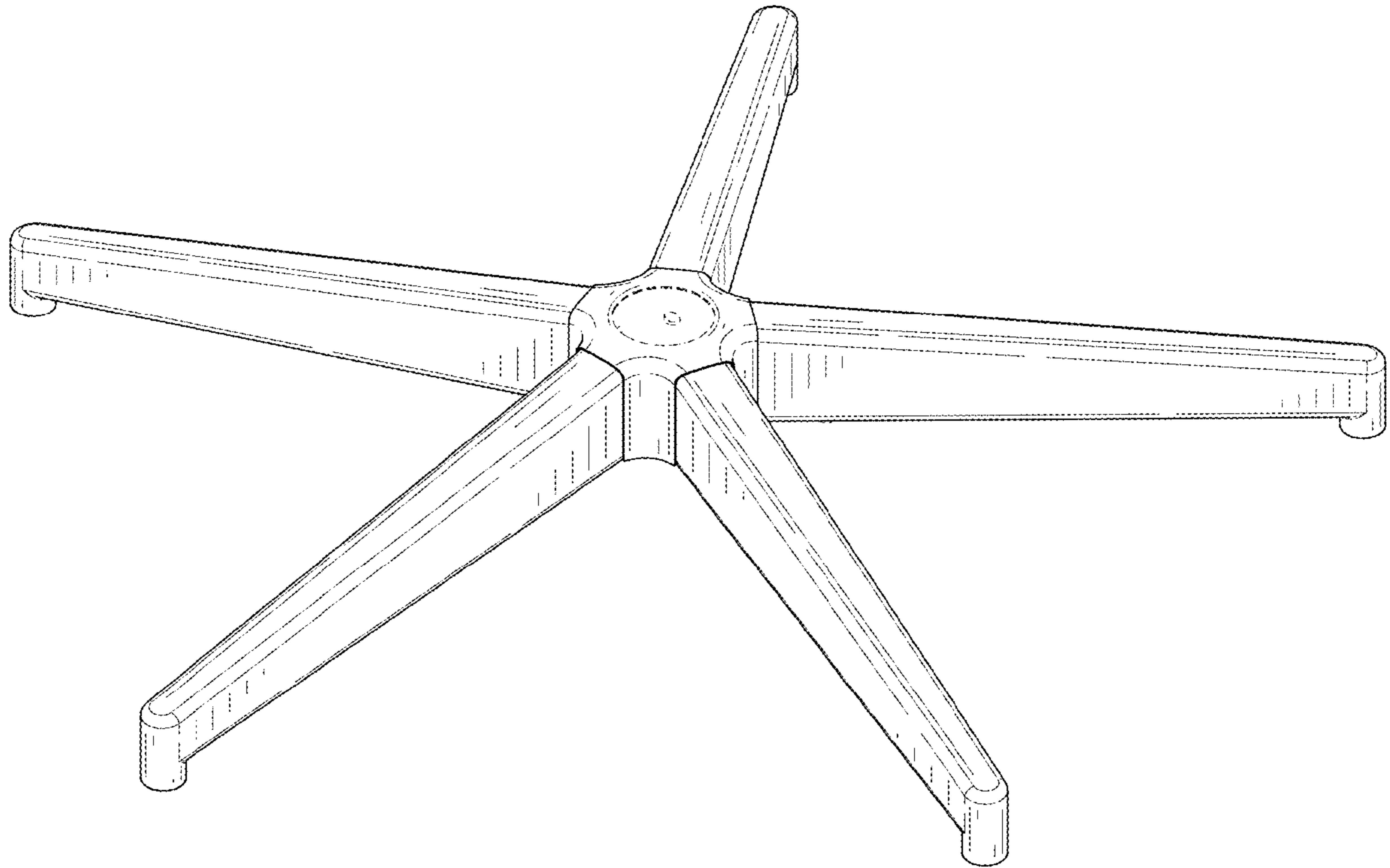


FIG. 1

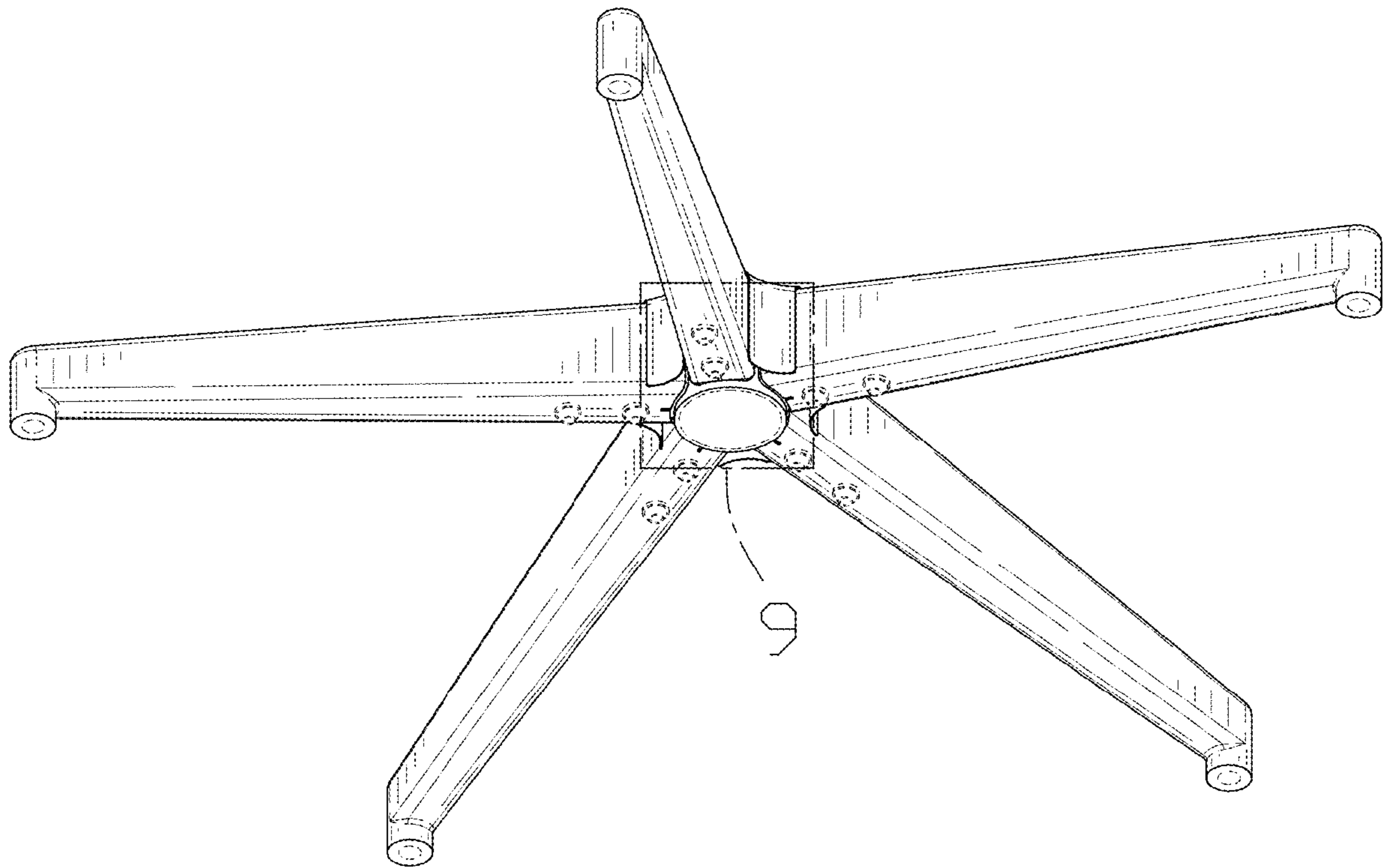


FIG. 2

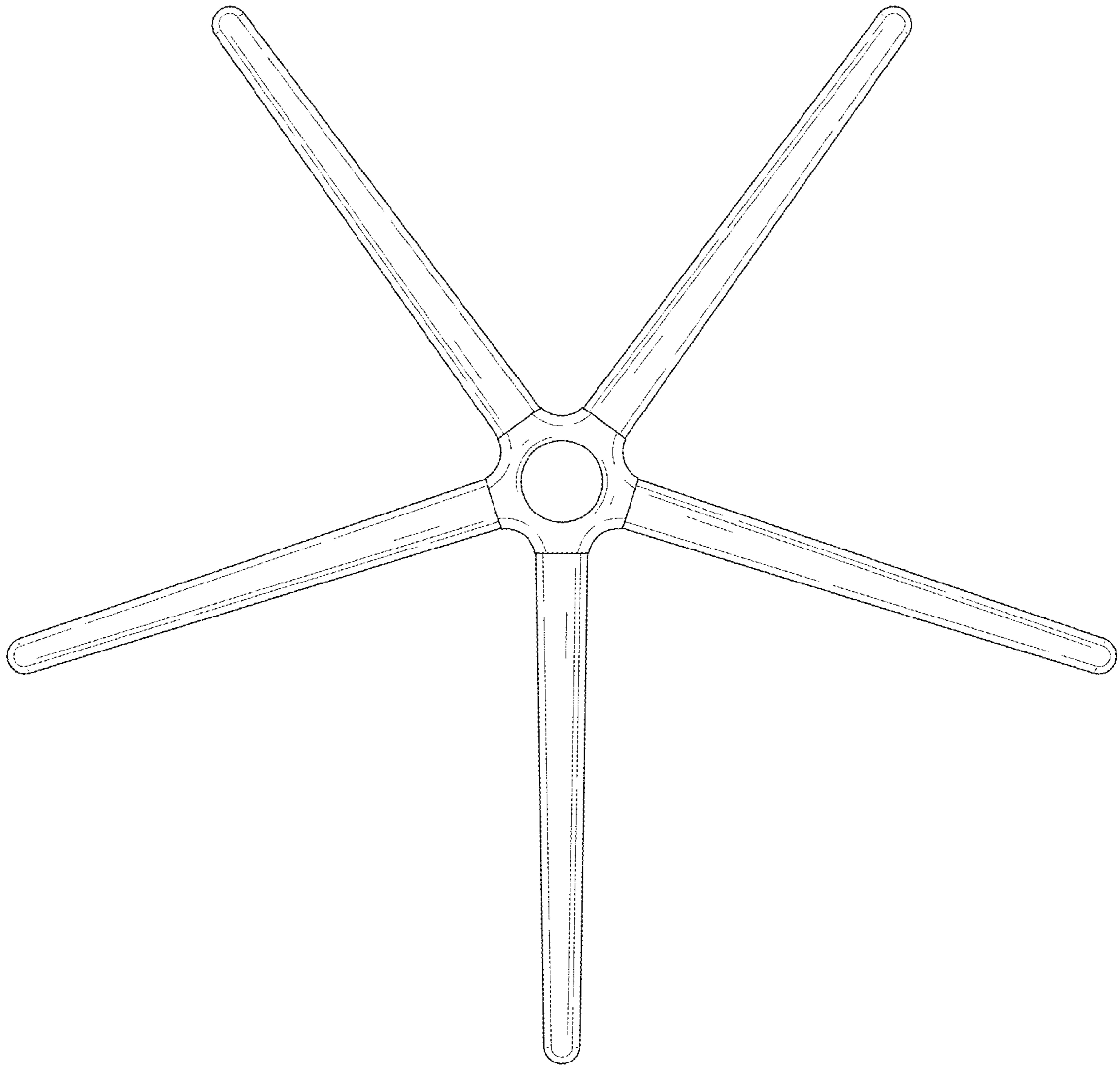


FIG. 3

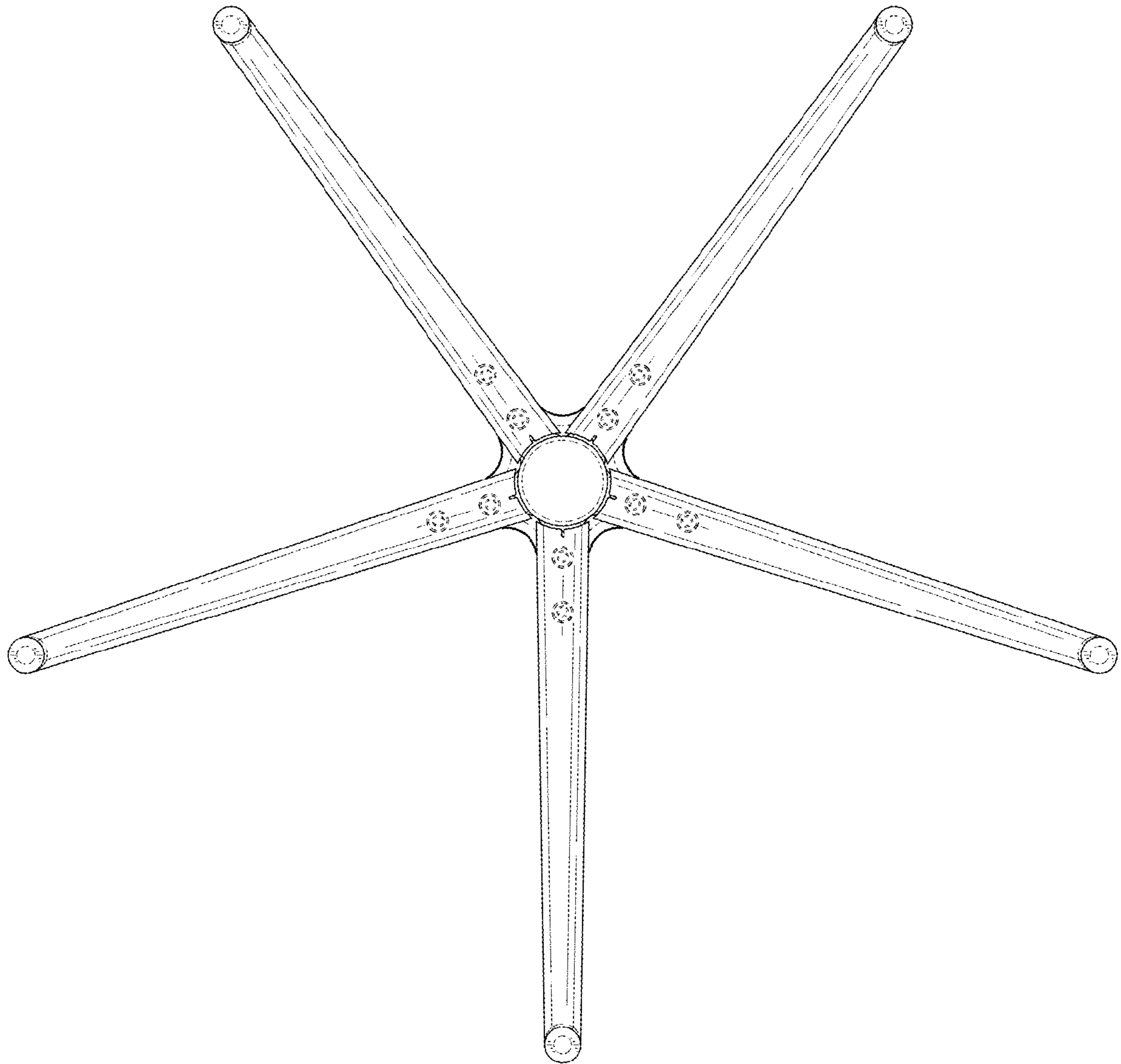


FIG. 4

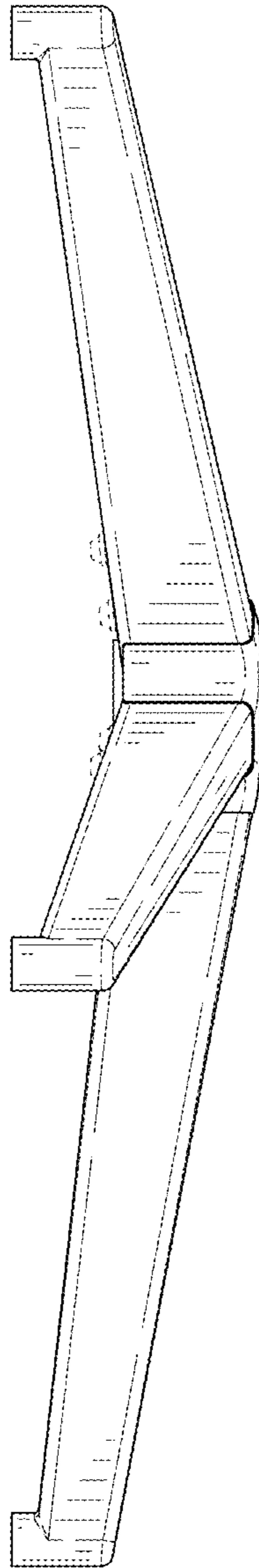


FIG. 5

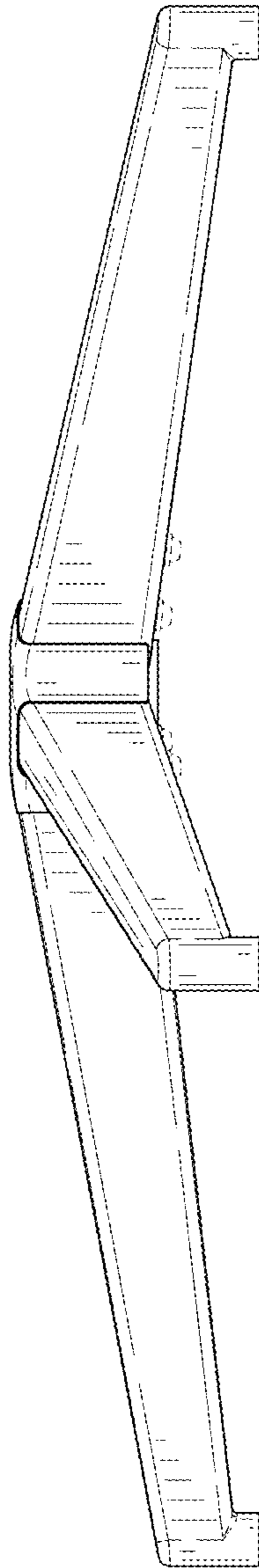


FIG. 6

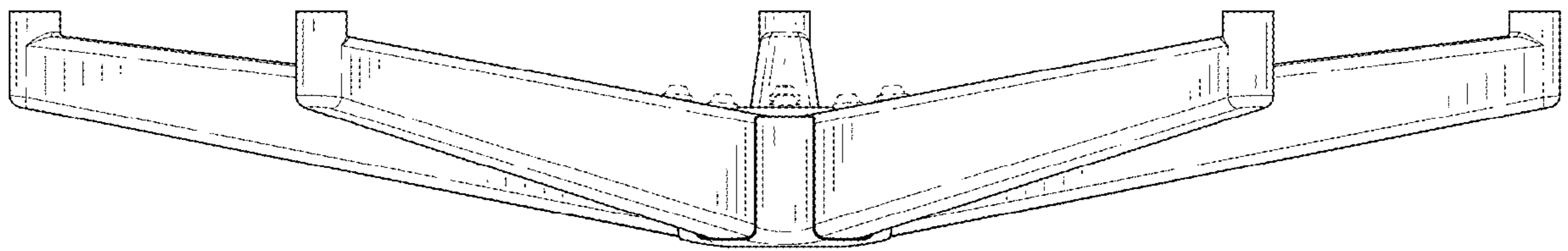


FIG. 7

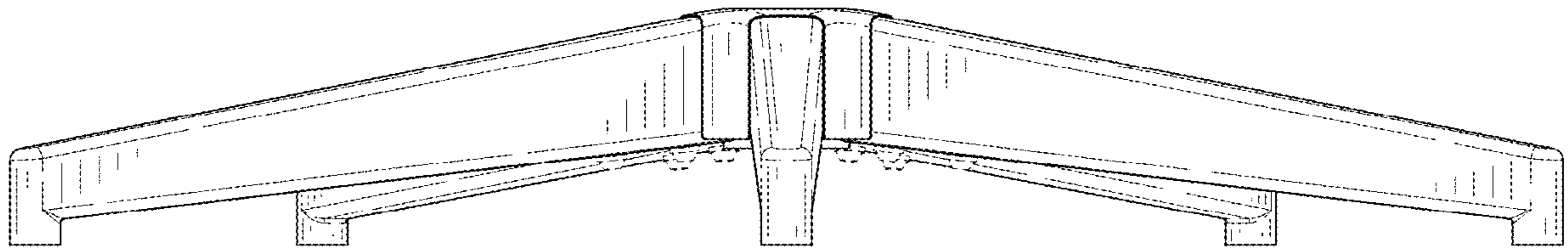


FIG. 8

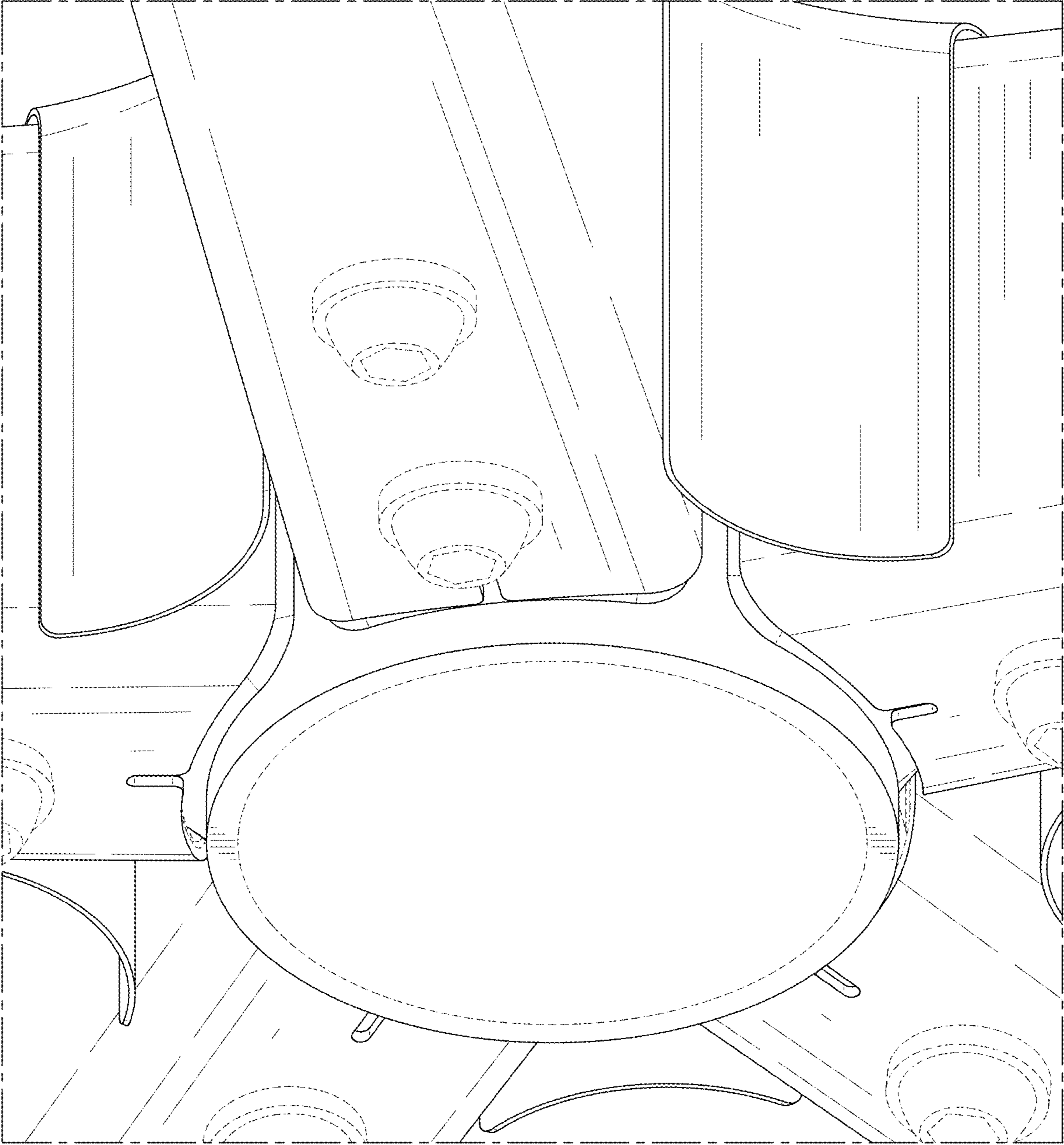


FIG. 9