



US00D967660S

(12) **United States Design Patent** (10) **Patent No.:** **US D967,660 S**
Grabliauskas (45) **Date of Patent:** **** Oct. 25, 2022**

(54) **COFFEE TABLE**
(71) Applicant: **DONA Handelsges. mbH**, Hamburg (DE)
(72) Inventor: **Gintaras Grabliauskas**, Hamburg (DE)
(73) Assignee: **DONA HANDELSGES. MBH**, Hamburg (DE)
(**) Term: **15 Years**
(21) Appl. No.: **29/766,059**
(22) Filed: **Jan. 13, 2021**
(51) **LOC (13) Cl.** **06-03**
(52) **U.S. Cl.**
USPC **D6/691; D6/691.4**
(58) **Field of Classification Search**
USPC D6/686, 691, 691.1, 691.3, 691.4, 691.5, D6/691.6, 691.9, 694, 694.2, 698
CPC A47B 3/0912; A47B 3/087; A47B 3/08; A47B 37/04; A47B 13/003; A47B 37/00; A47B 25/00; A47B 13/081; A47B 3/02; A47B 13/023; A47B 13/06; A47B 2003/0821; A47B 13/088; A47B 3/0911; A47B 5/04; A47B 5/06; A47B 2013/024; A47B 23/001; A47B 13/04; A47B 2021/0076; A47B 17/003; A47B 2003/004; A47B 21/007
See application file for complete search history.

D295,348 S * 4/1988 Muller D6/406.2
D314,878 S * 2/1991 Hart D6/691.3
D511,257 S * 11/2005 Chabot D6/691.4
D581,704 S * 12/2008 Hwang D6/656.15
D599,929 S * 9/2009 Huang D26/63
D628,405 S * 12/2010 Pippin D6/555
D731,216 S * 6/2015 Sorel D6/691.4
D750,405 S * 3/2016 Muller D6/708.17
D766,635 S * 9/2016 Muller D6/708.17
D774,322 S * 12/2016 Schmauch D6/406.5
D774,810 S * 12/2016 Biddle D6/691.4
D833,188 S * 11/2018 Kershner D6/691.4
D842,016 S * 3/2019 Sorel D6/694
D881,616 S * 4/2020 Batson D6/697
D892,047 S * 8/2020 Peng D26/51
2013/0284077 A1 * 10/2013 Copeland A47B 3/08 108/115

OTHER PUBLICATIONS

Coffee Table Altus by gg designart, first available: unknown. Modumshop.com [online], [site visited Jun. 10, 2022], Internet URL: <https://www.modumshop.com/products/coffee-table-altus> (Year: 2022).*

(Continued)

Primary Examiner — Steven J Czyz
Assistant Examiner — Hillary Catherine Shepard
(74) *Attorney, Agent, or Firm* — Hovey Williams LLP

(57) **CLAIM**

The ornamental design for a coffee table, as shown and described.

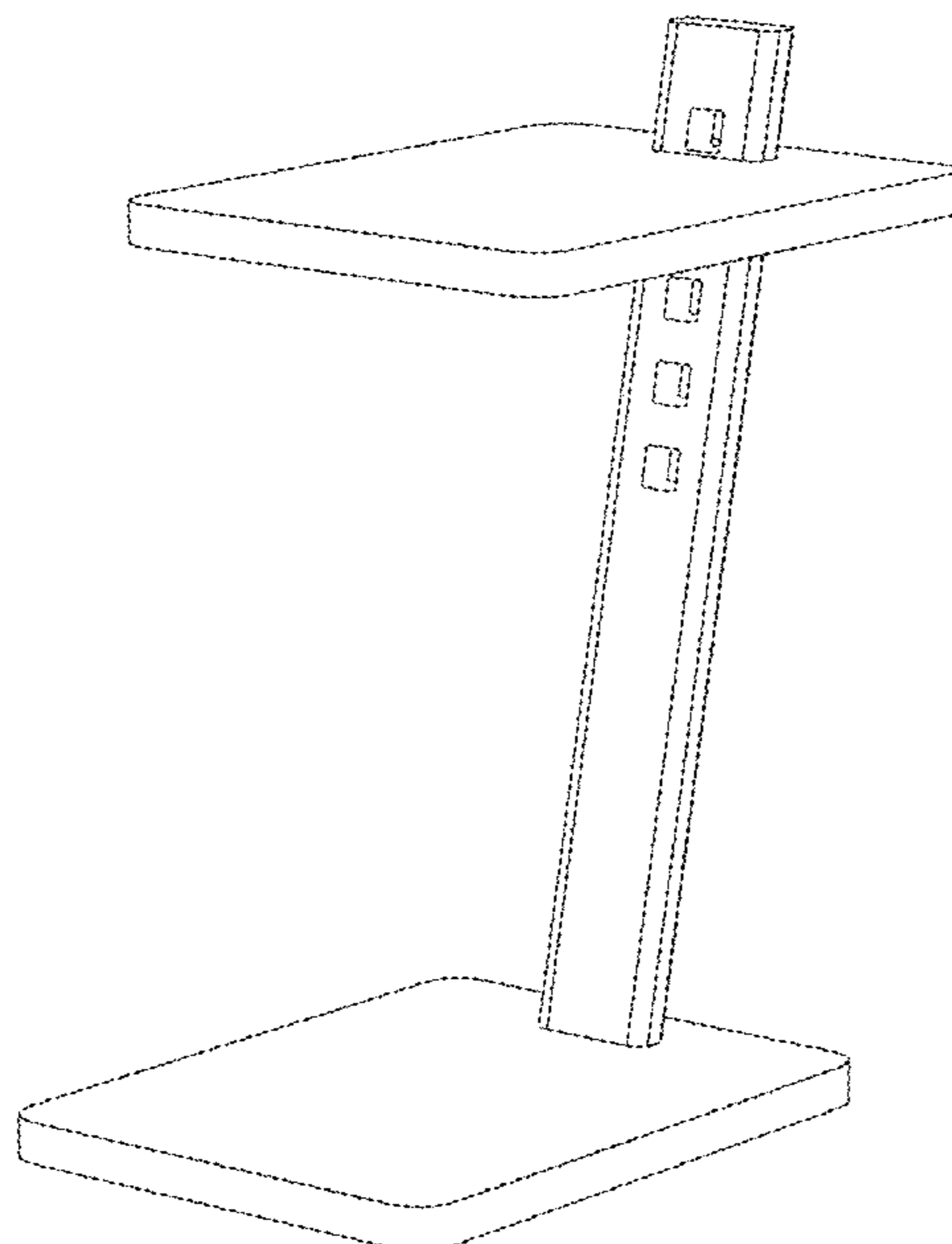
DESCRIPTION

FIG. 1 is a bottom right perspective of a coffee table; FIG. 2 is a front perspective view thereof; FIG. 3 is a top perspective view thereof; and, FIG. 4 is a rear perspective view thereof.

1 Claim, 4 Drawing Sheets

(56) **References Cited**
U.S. PATENT DOCUMENTS

D132,098 S * 4/1942 Corbett D6/691.4
3,682,112 A * 8/1972 Emrick A47B 9/20 108/150
D276,100 S * 10/1984 Middleton D6/672
D290,072 S * 6/1987 Winzeler, III D6/691.4



(56)

References Cited

OTHER PUBLICATIONS

The Acacia Wood Sofa Table by The Timbermaker, first available: Jun. 10, 2022. Facebook.com [online], [site visited Jun. 10, 2022], Internet URL: <https://www.facebook.com/TheTimberMaker/photos/pcb.169418745498060/169418655498069/> (Year: 2022).*

Coffee Table Altus Shop by gg designart, first available: Feb. 16, 2020. Facebook.com [online], [site visited Jun. 10, 2022], Internet URL: <https://www.facebook.com/vitamindesign.de/photos/a.104260492990964/2746100135473640/> (Year: 2020).*

* cited by examiner

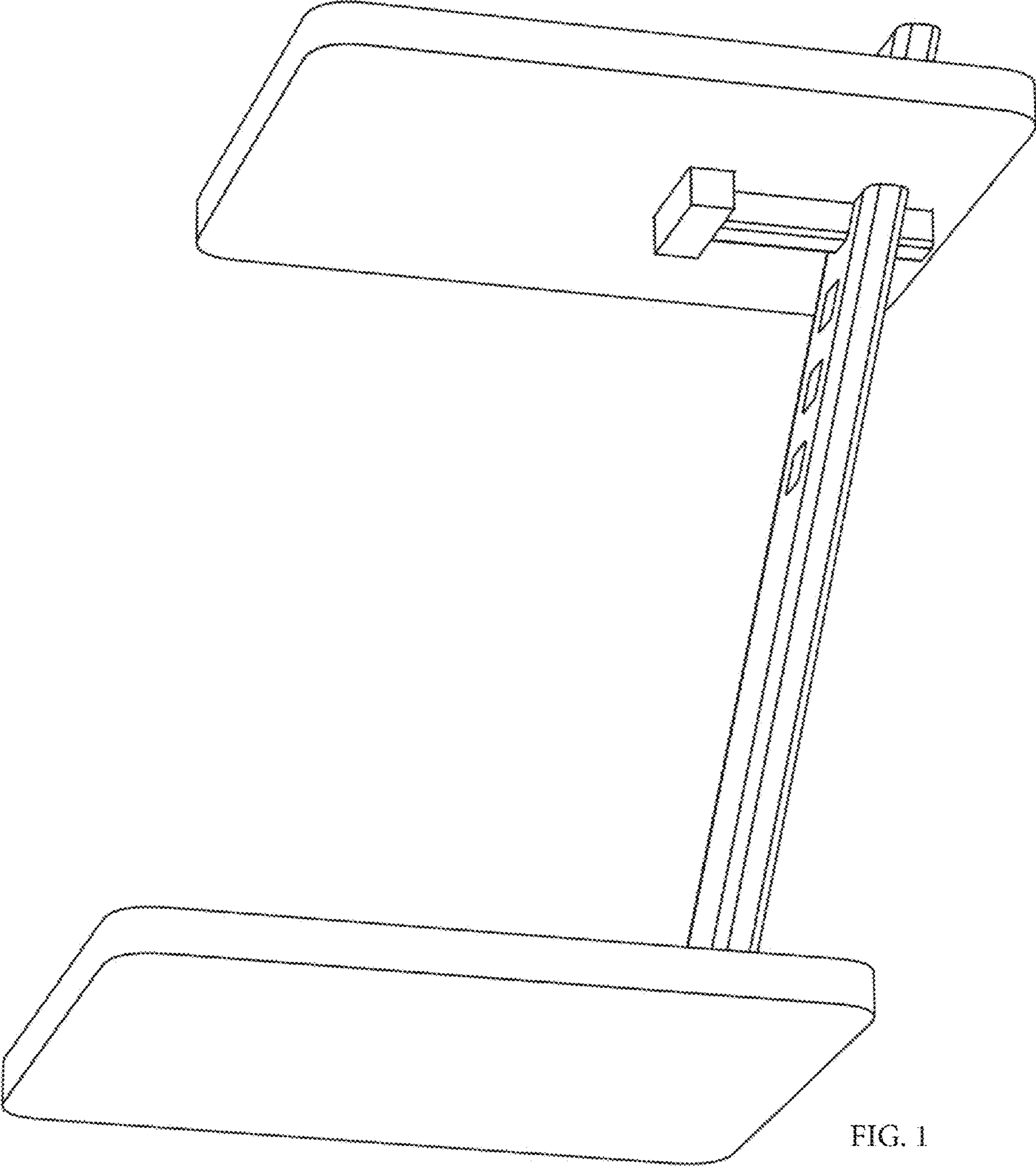


FIG. 1

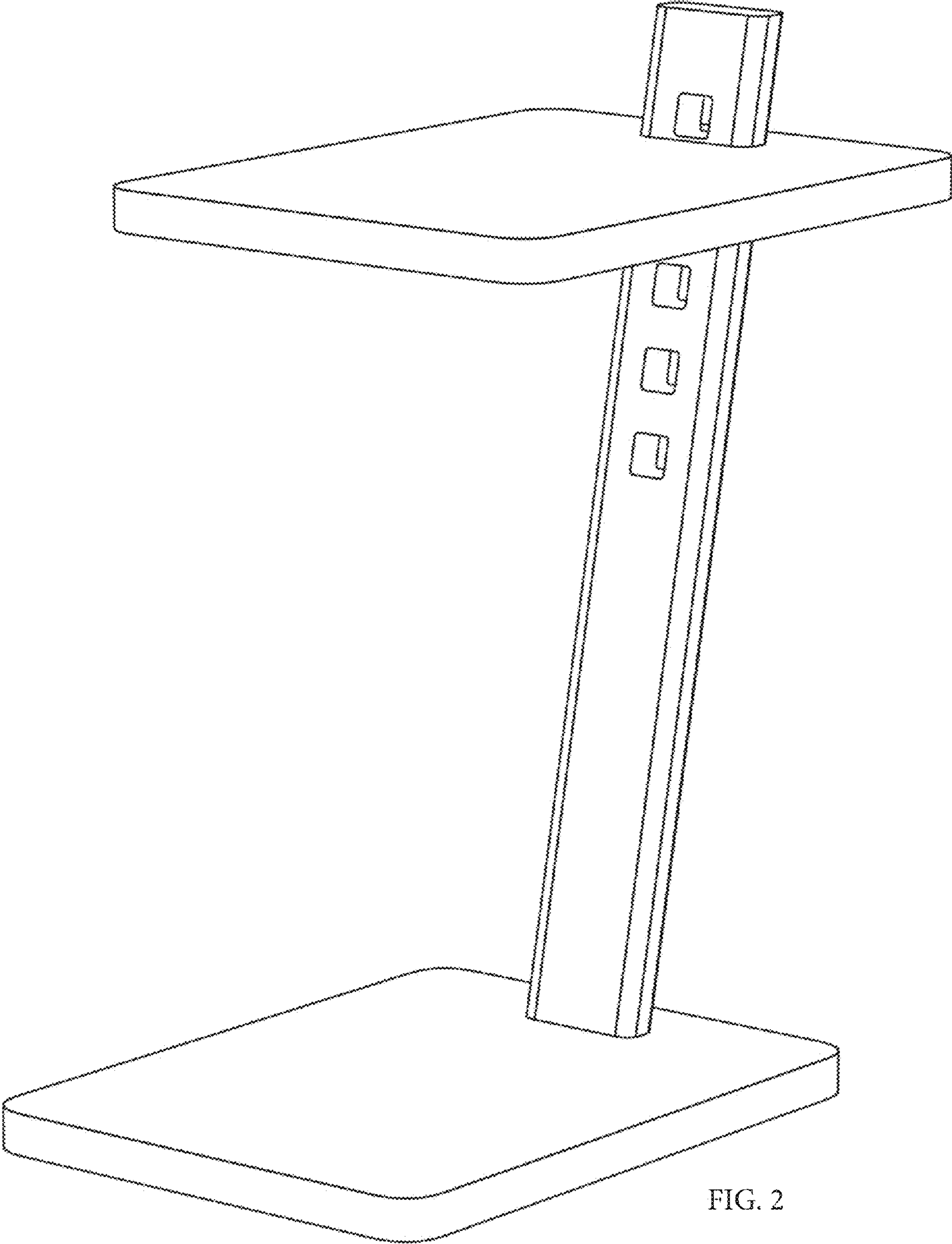


FIG. 2

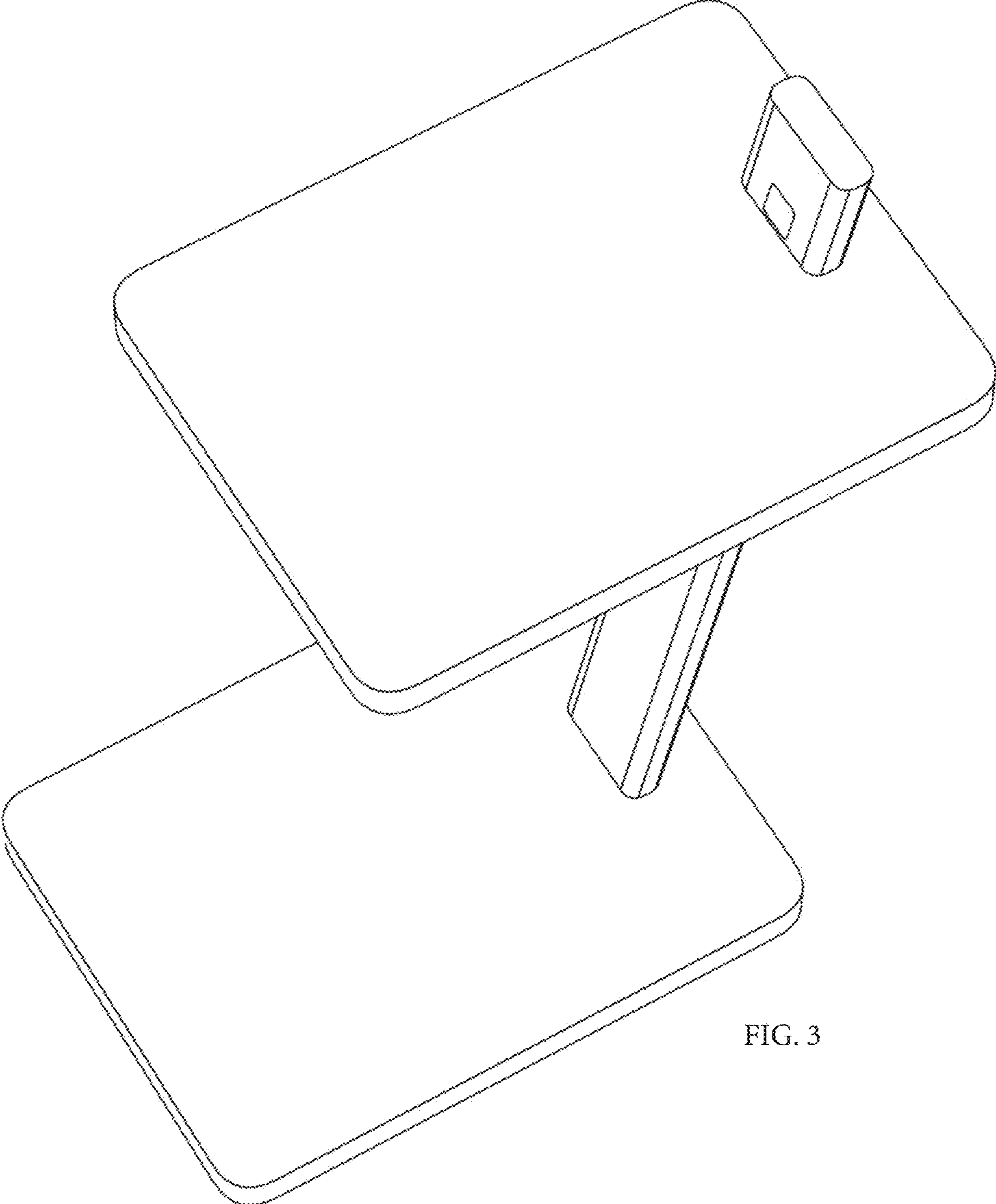


FIG. 3

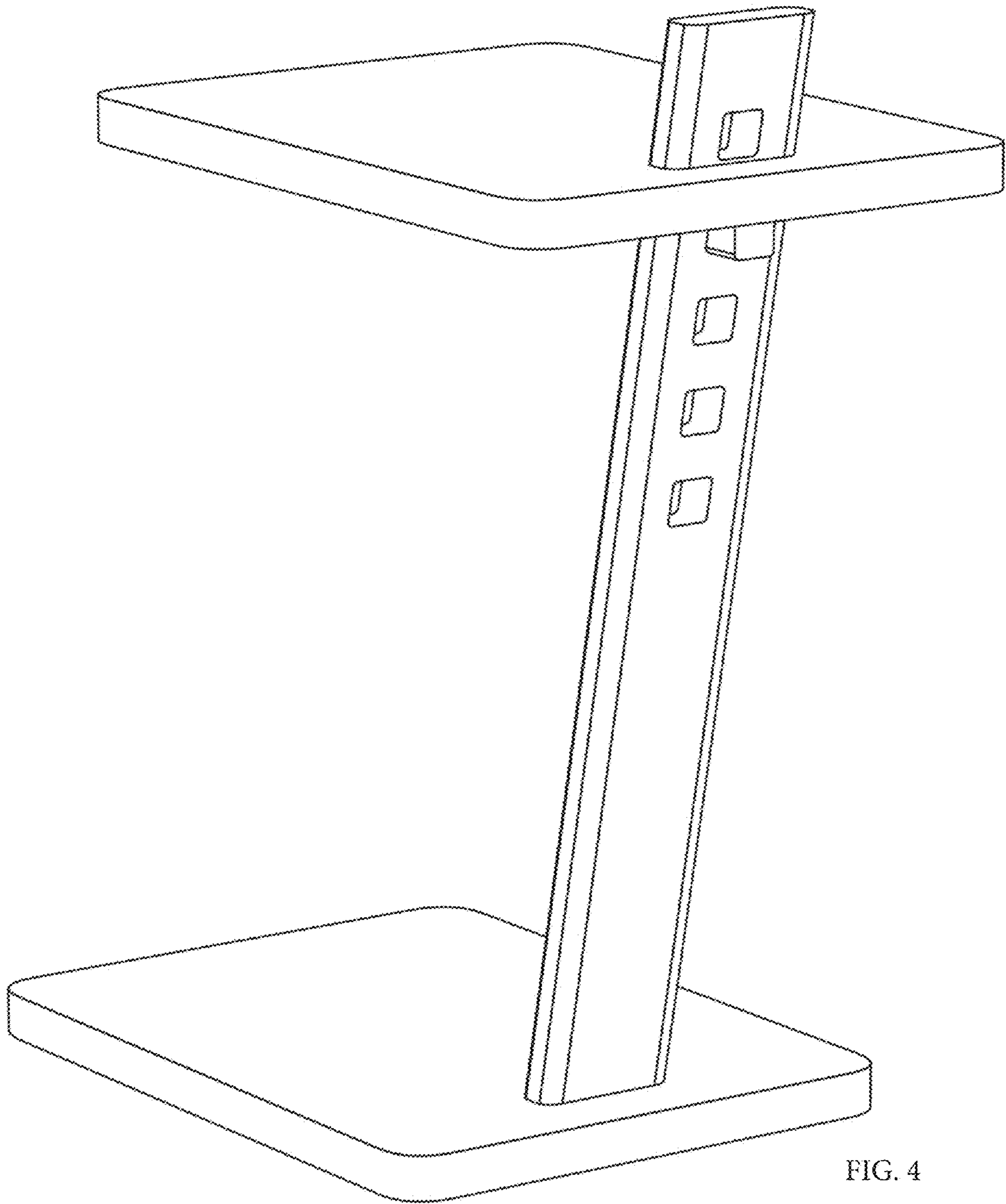


FIG. 4