



US00D967659S

(12) **United States Design Patent** (10) **Patent No.:** **US D967,659 S**
Li (45) **Date of Patent:** **** Oct. 25, 2022**

- (54) **STACKABLE STORAGE SHOE RACK**
- (71) Applicant: **Dongguan Xundian Hardware Co., Ltd., Guangdong (CN)**
- (72) Inventor: **Jierong Li, Guangdong (CN)**
- (73) Assignee: **DONGGUAN XUNDIAN HARDWARE CO., LTD., Dongguan (CN)**
- (**) Term: **15 Years**
- (21) Appl. No.: **29/828,756**
- (22) Filed: **Feb. 28, 2022**
- (51) **LOC (13) Cl.** **06-04**
- (52) **U.S. Cl.**
USPC **D6/681**
- (58) **Field of Classification Search**
USPC D6/672, 675, 675.1, 675.2, 675.5, 681, D6/681.1, 681.2, 682, 682.6
CPC A47B 81/00; A47B 45/00; A47B 57/04; A47B 61/04; A47F 7/08; A47F 5/0081; A47F 5/01; A47F 5/10
See application file for complete search history.

- (56) **References Cited**
U.S. PATENT DOCUMENTS
2,276,141 A * 3/1942 Atkinson A47L 23/20 211/37
2,431,423 A * 11/1947 Robbins A47B 45/00 211/175
D270,118 S * 8/1983 Wood D6/678.4
D283,570 S * 4/1986 Penner D6/678.4
D290,562 S * 6/1987 Tocci D6/672
4,915,238 A * 4/1990 Cassel A47F 7/08 211/37
D318,196 S * 7/1991 Sheng D6/678.4
D324,139 S * 2/1992 Frazier D6/672

- D324,142 S * 2/1992 Cassel D6/678.4
- 5,172,816 A * 12/1992 Kline A47F 7/08 211/37
- D341,500 S * 11/1993 Klein D6/672
- D342,397 S * 12/1993 MacDonald D6/672
- D377,728 S * 2/1997 Klein D6/315
- 5,617,959 A * 4/1997 Klein A47F 7/08 211/37
- D381,225 S * 7/1997 Malik D6/513
- D382,434 S * 8/1997 Klein D6/513
- 5,695,073 A * 12/1997 Klein A47B 87/0207 211/35
- D398,787 S * 9/1998 Malik D6/682
- D403,880 S * 1/1999 Malik D6/681.1
- 5,992,647 A * 11/1999 Malik G11B 23/0236 211/40

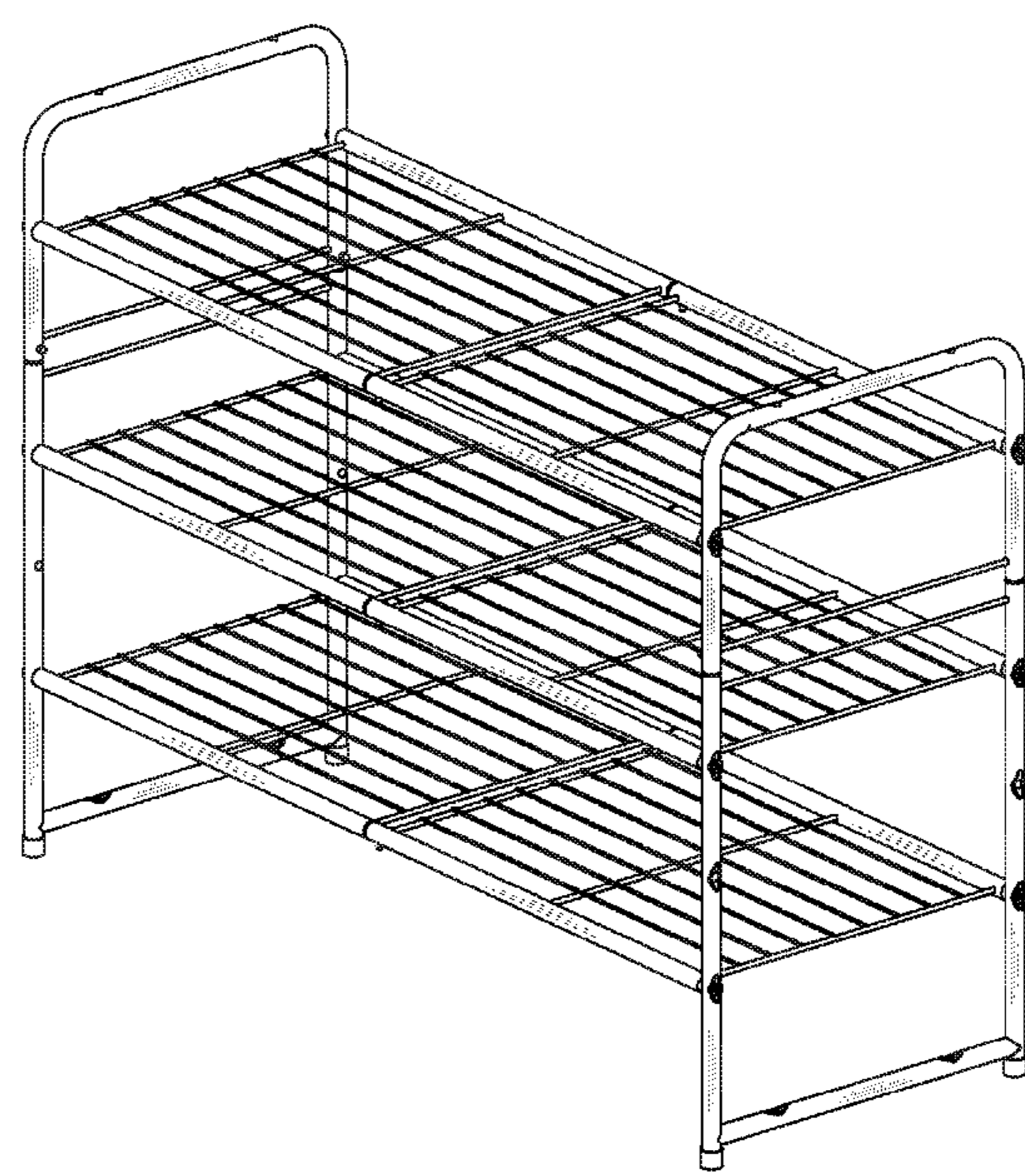
(Continued)

Primary Examiner — Steven J Czyz

(57) **CLAIM**
The ornamental design for a stackable storage shoe rack, substantially as shown and described.

DESCRIPTION
FIG. 1 is a perspective view of a stackable storage shoe rack, showing my new design;
FIG. 2 is a perspective view of the stackable storage shoe rack with environment and in a stacked configuration;
FIG. 3 is a perspective view of the stackable storage shoe rack with environment and in another alternate configuration;
FIG. 4 is a front view thereof;
FIG. 5 is a rear view thereof;
FIG. 6 is a left side view thereof;
FIG. 7 is a right side view thereof;
FIG. 8 is a top plan view thereof; and,
FIG. 9 is a bottom plan view thereof.
The broken lines in the drawing depict environmental subject matter only and form no part of the claimed design.

1 Claim, 9 Drawing Sheets



(56)

References Cited

U.S. PATENT DOCUMENTS

D426,726 S *	6/2000	Fenwick, Jr.	D6/678.4	10,561,242 B1 *	2/2020	Ignacio	A47B 57/04
D457,353 S *	5/2002	Klein	D6/682.2	D911,084 S *	2/2021	Sabounjian	D6/675.2
D458,772 S *	6/2002	Klein	D6/681.1	D912,447 S *	3/2021	Wang	A47F 7/08
D461,333 S *	8/2002	Malik	D6/678.4				D6/681
D462,539 S *	9/2002	Segall	D6/681.1	D920,012 S *	5/2021	Huang	A47B 45/00
D470,338 S *	2/2003	Licari	D6/675.5				D6/675.1
D473,733 S *	4/2003	Malik	D6/672	D935,242 S *	11/2021	Huang	A47B 61/04
D481,560 S *	11/2003	Vidmar	D8/381				D6/675.1
D488,003 S *	4/2004	Malik	D6/675.1	D939,253 S *	12/2021	Huang	D6/675.2
D493,289 S *	7/2004	Klein	D6/320	D939,254 S *	12/2021	Huang	A47B 96/024
D530,540 S *	10/2006	Stravitz	D6/675.4				D6/675.2
D546,080 S *	7/2007	Chen	D6/323	2004/0035806 A1 *	2/2004	Klein	A47F 5/01
7,249,679 B2 *	7/2007	Klein	A47F 7/08				211/35
			211/175	2004/0118791 A1 *	6/2004	Rimback	A47F 7/08
D587,490 S *	3/2009	Siegel	D6/675.2				211/119.004
D598,218 S *	8/2009	Siegel	D6/513	2004/0124165 A1 *	7/2004	Miller	A47B 45/00
D707,978 S *	7/2014	Ruiz	D6/320				211/175
D723,295 S *	3/2015	Ruiz	A47B 96/063	2004/0245192 A1 *	12/2004	Hu	A47F 7/08
			D6/320				211/118
D730,664 S *	6/2015	Klein	D6/675.1	2006/0049121 A1 *	3/2006	Klein	A47B 61/04
D787,242 S *	5/2017	Hsu	A47B 47/00				211/35
			D6/675.2	2006/0144805 A1 *	7/2006	Wang	A47B 96/024
D830,087 S *	10/2018	Greenspon	A47B 43/00				211/37
			D6/675	2011/0155677 A1 *	6/2011	Fernandez	A47B 45/00
10,092,095 B2 *	10/2018	Zhu	A47B 43/00				211/183
10,092,099 B1 *	10/2018	Linari	A47B 61/04	2011/0290750 A1 *	12/2011	Lim	A47B 47/00
10,098,460 B1 *	10/2018	Brinton, Jr.	A47B 61/003				211/153
D840,728 S *	2/2019	Hsu	D6/675.2	2019/0098995 A1 *	4/2019	Brown	A47B 57/545
10,531,735 B1 *	1/2020	Lucio	A47B 57/04	2020/0008577 A1 *	1/2020	Lim	A47B 96/063
				2021/0244179 A1 *	8/2021	Felsenthal	A47B 45/00

* cited by examiner

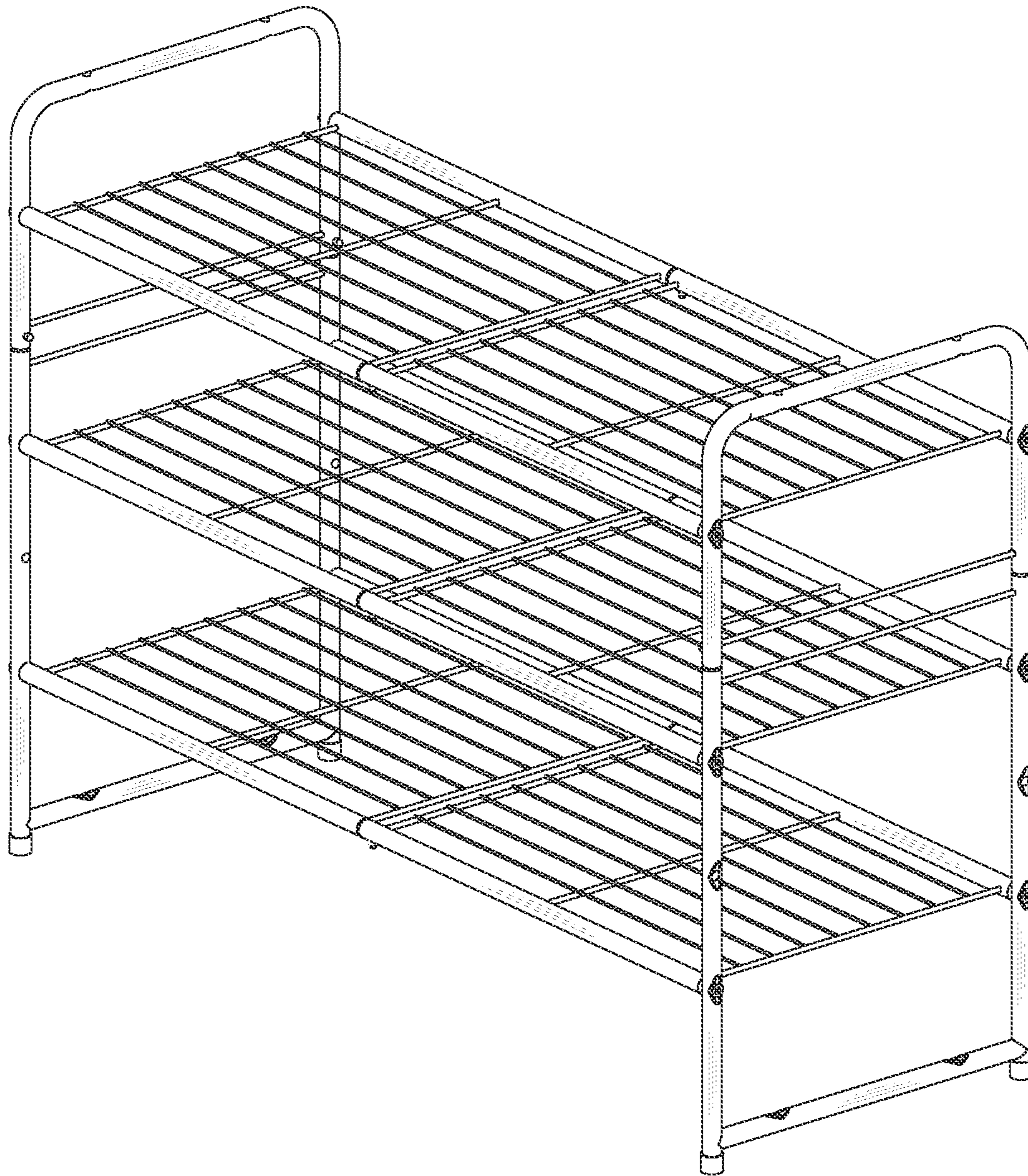


FIG. 1

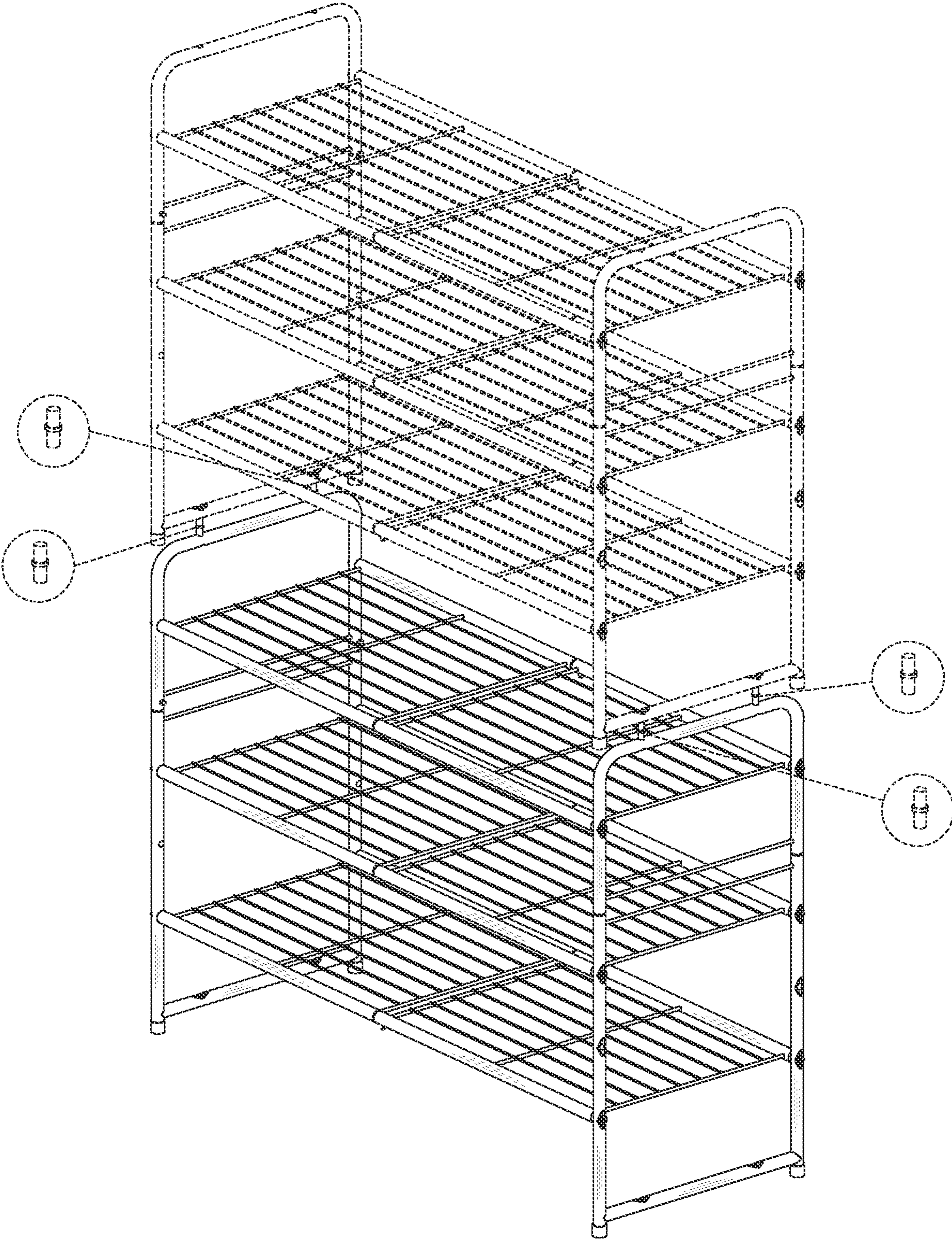


FIG. 2

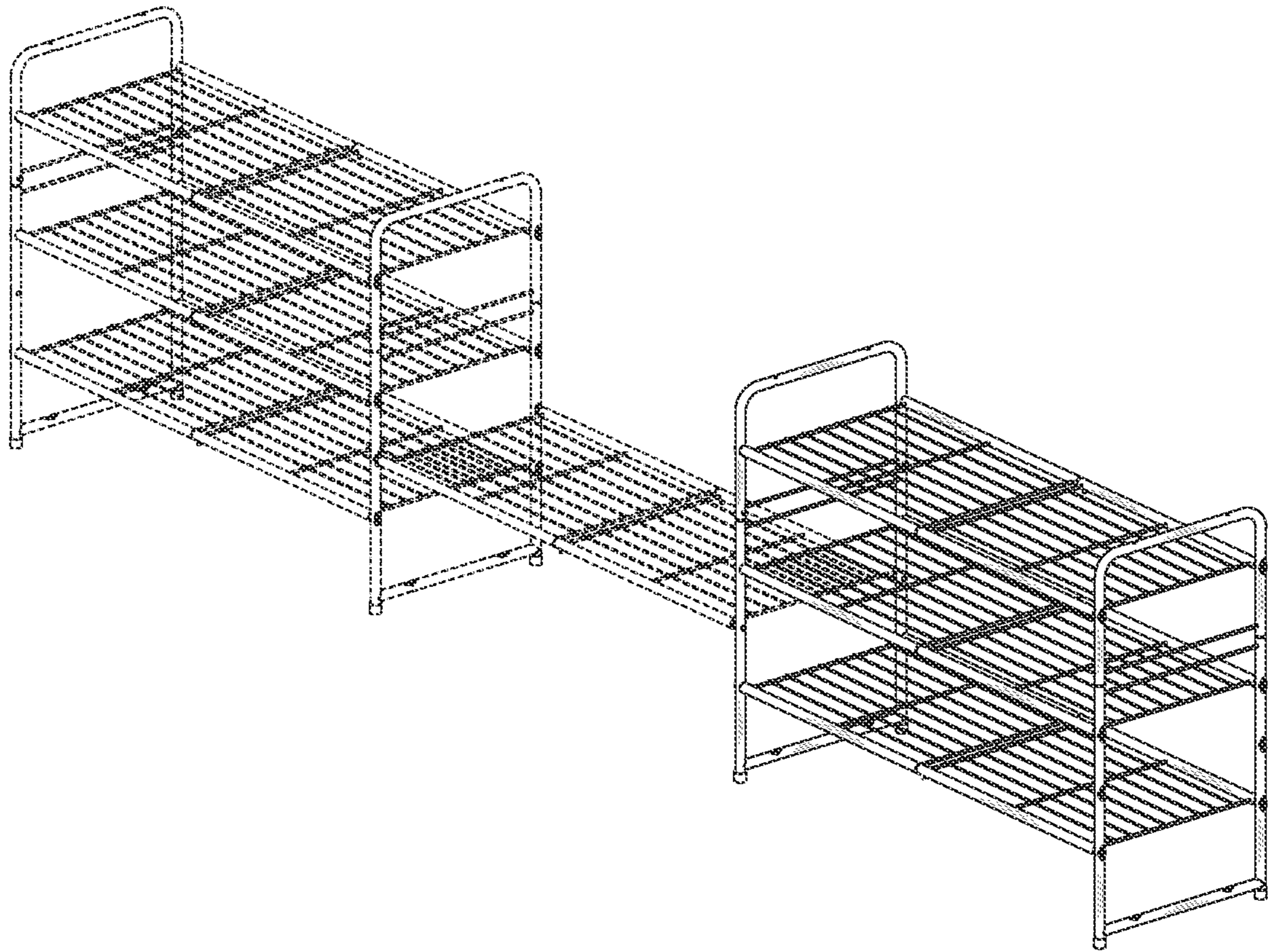


FIG. 3

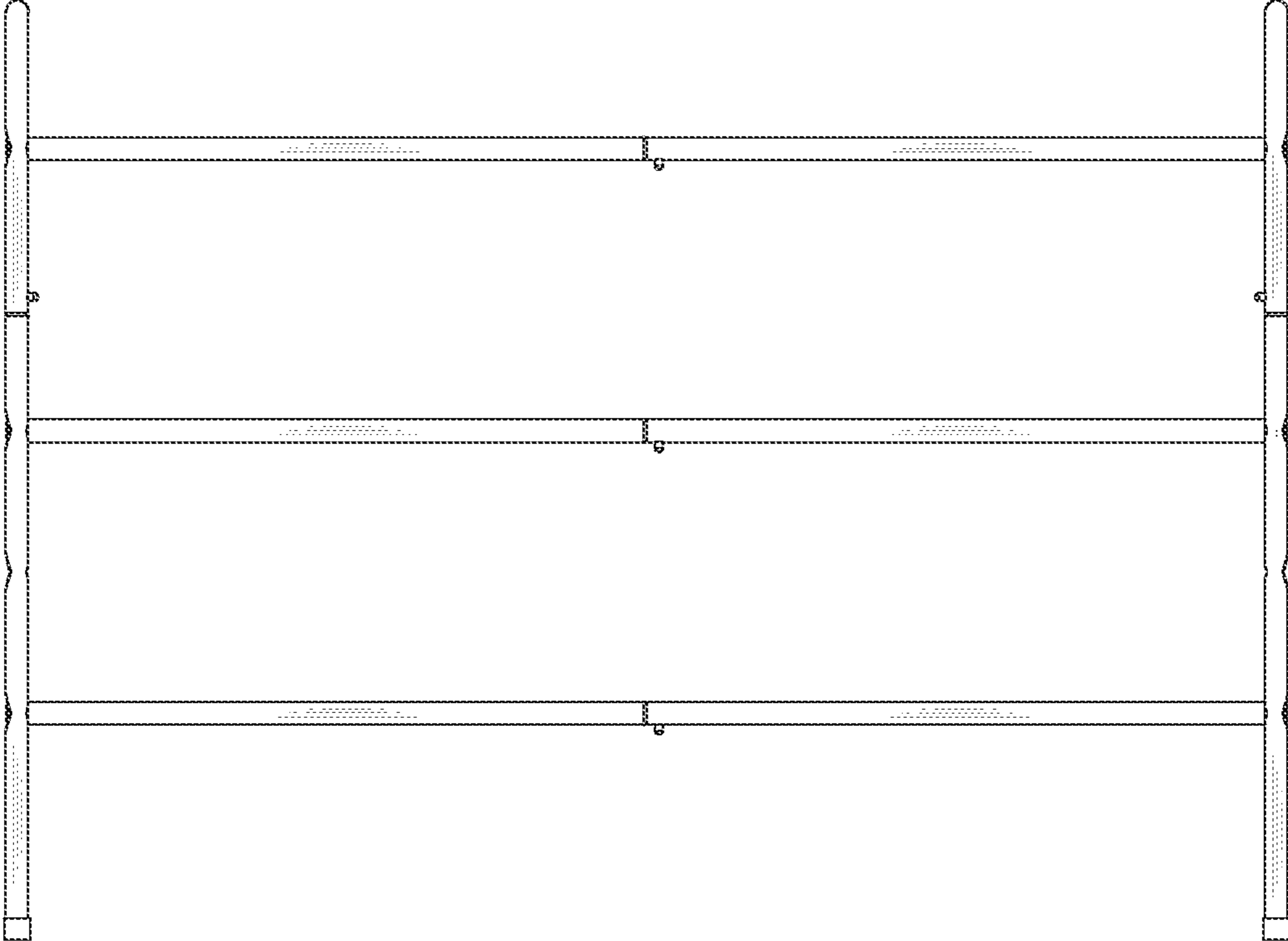


FIG. 4

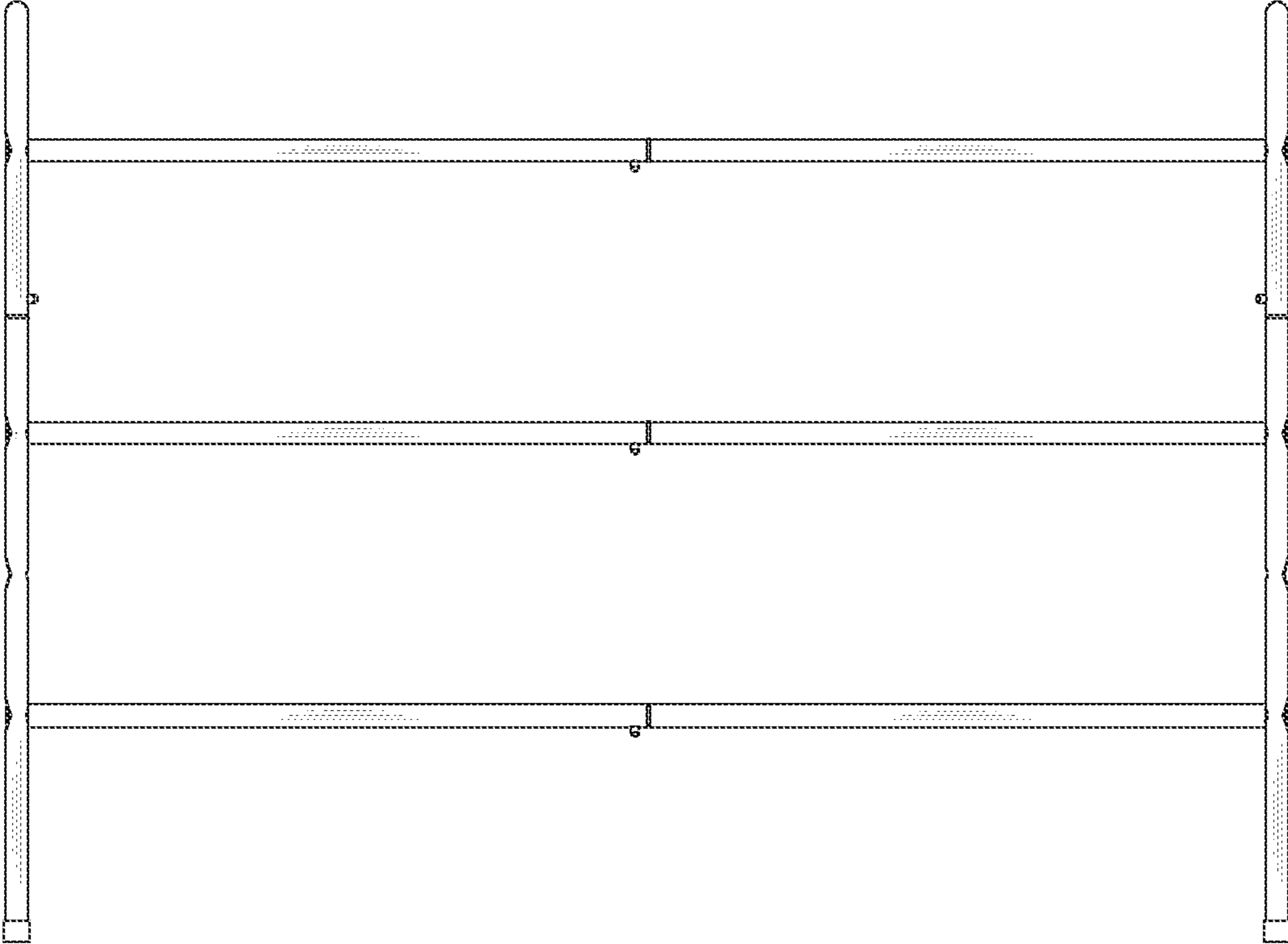


FIG. 5

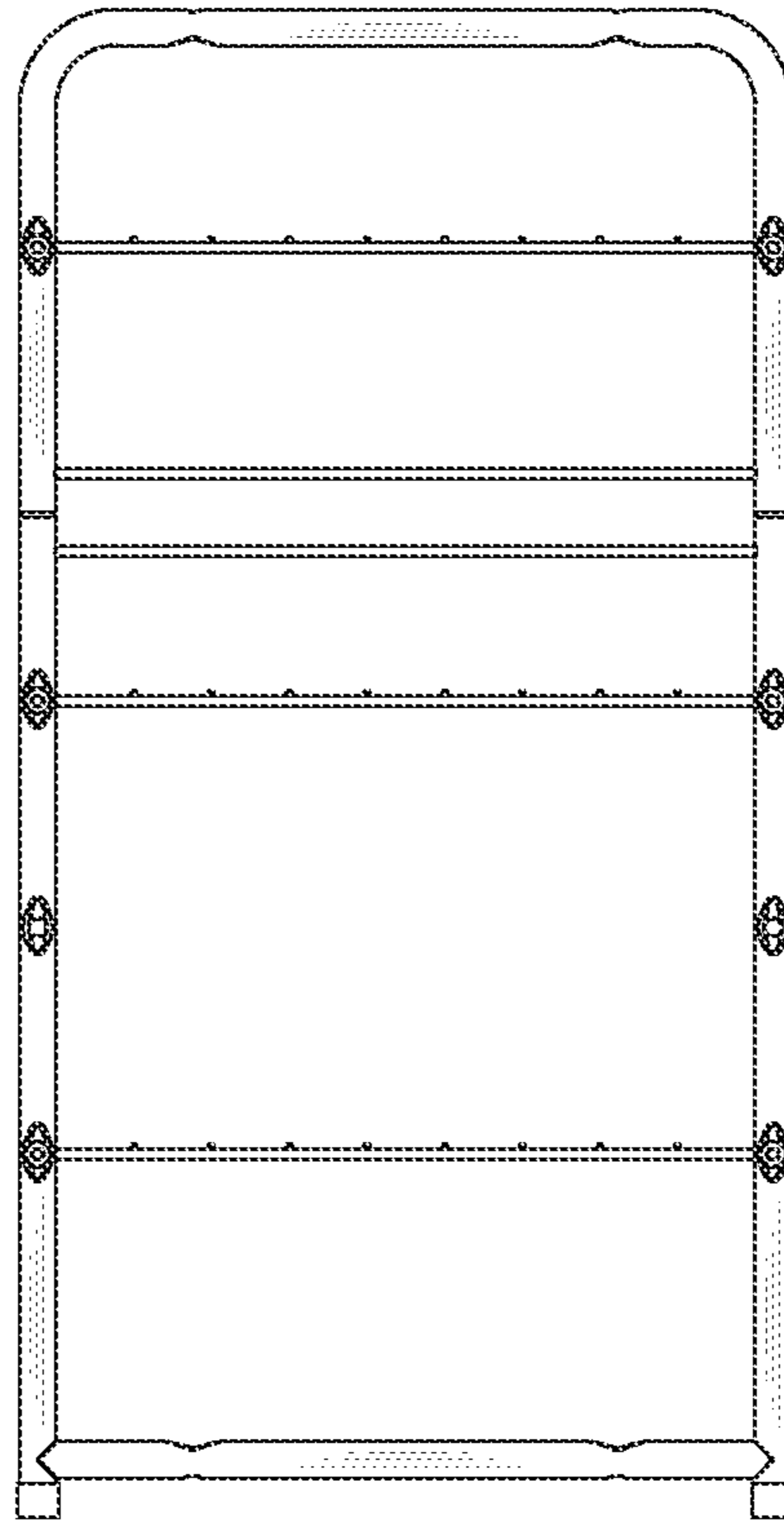


FIG. 6

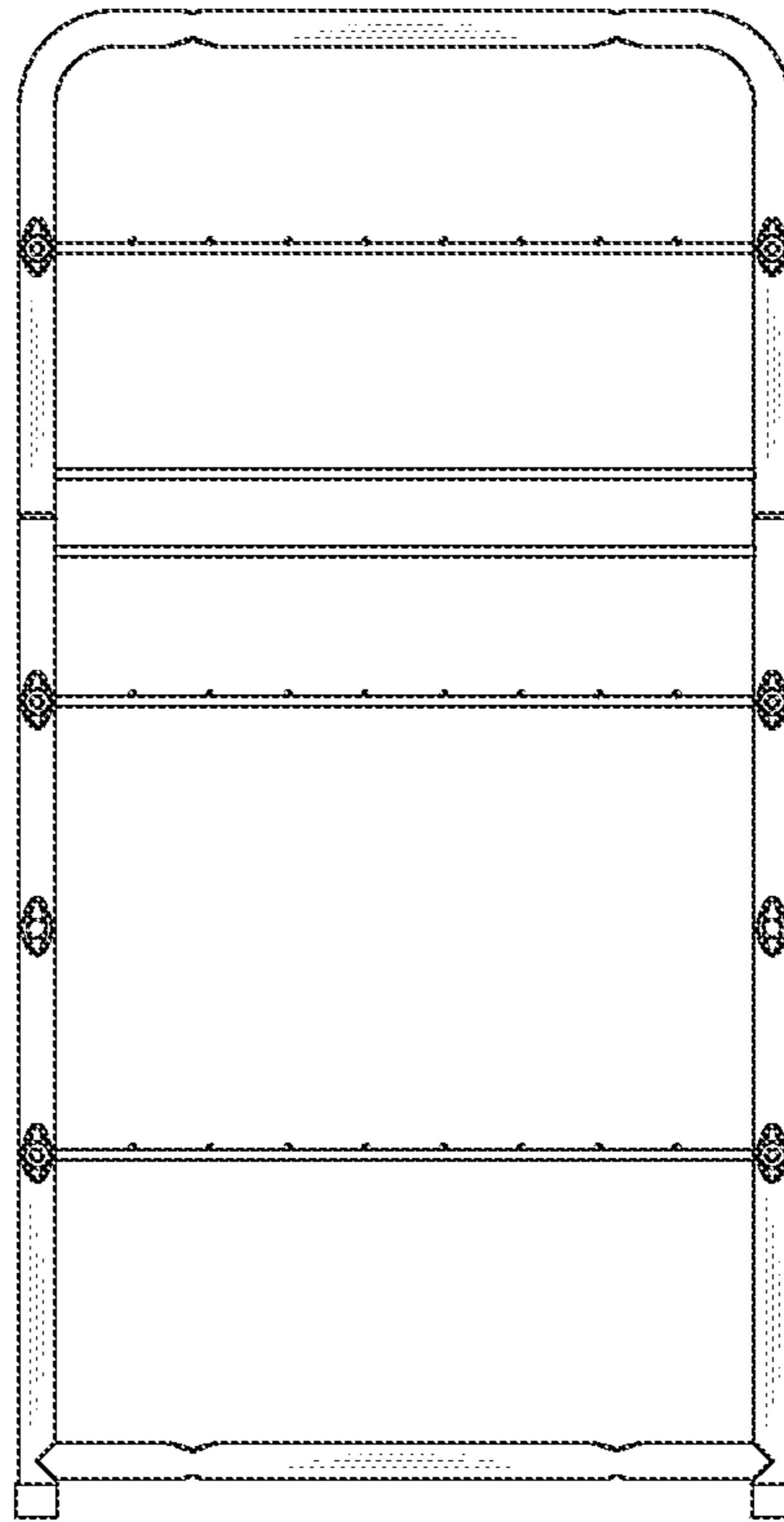


FIG. 7

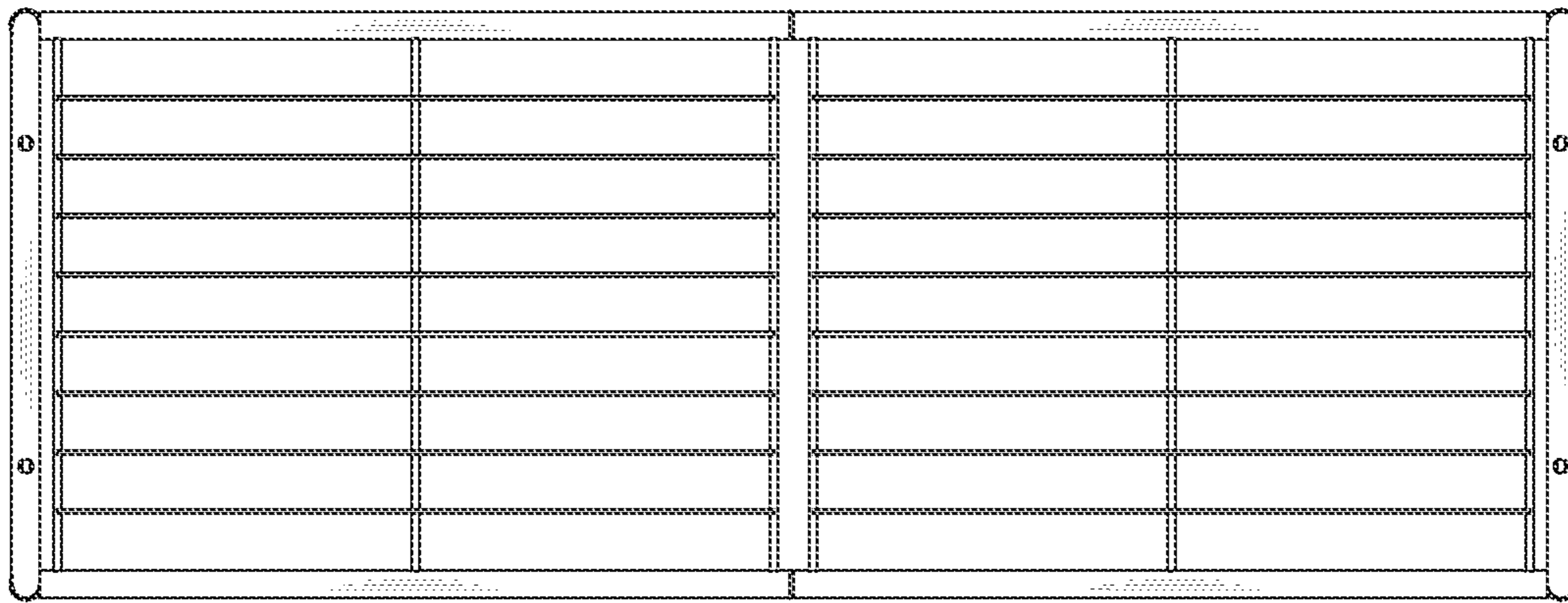


FIG. 8

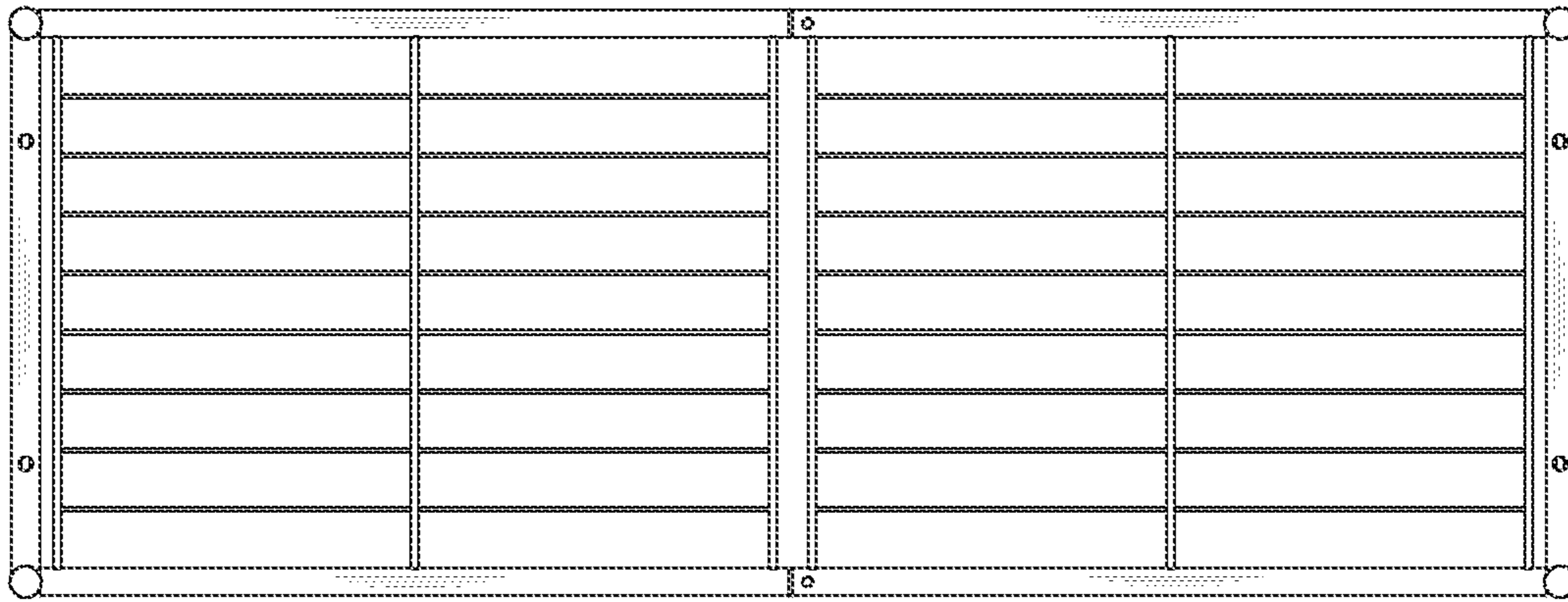


FIG. 9