



US00D967658S

(12) **United States Design Patent** (10) **Patent No.:** **US D967,658 S**  
**Li** (45) **Date of Patent:** **\*\* Oct. 25, 2022**

(54) **COAT HANGER**

(71) Applicant: **Hua Li**, Shangrao (CN)

(72) Inventor: **Hua Li**, Shangrao (CN)

(73) Assignee: **Hua Li**, Shangrao (CN)

(\*\*) Term: **15 Years**

(21) Appl. No.: **29/834,167**

(22) Filed: **Apr. 11, 2022**

(51) **LOC (13) Cl.** ..... **06-06**

(52) **U.S. Cl.**  
USPC ..... **D6/680.2**

(58) **Field of Classification Search**  
USPC ..... D6/315, 320, 324, 672-673, 678, 680,  
D6/680.2, 681, 681.1, 682, 682.5  
CPC .... A47F 5/0006; A47F 5/0018; A47F 5/0025;  
A47F 5/04; A47F 7/19; A47F 7/24; A47G  
25/00; A47G 25/02; A47G 25/06; A47G  
25/0607; A47G 25/14

See application file for complete search history.

(56) **References Cited**

**U.S. PATENT DOCUMENTS**

D51,055 S *	7/1917	Board	.....	D6/677.1
1,485,852 A *	3/1924	Jarvis	.....	A47F 5/01 108/92
D97,351 S *	10/1935	Kipp	.....	D6/677.1
D171,659 S *	3/1954	Neagle	.....	D6/681.1
D220,110 S *	3/1971	Jakimow	.....	D6/681.3
D222,567 S *	11/1971	Cohen	.....	D6/680
D288,508 S *	3/1987	Toyama	.....	D6/680.2
D296,164 S *	6/1988	Scholl	.....	D6/680.2
D304,789 S *	11/1989	Scholl	.....	D6/692.6

D318,280 S *	7/1991	Sumrell	.....	D14/224
D325,887 S *	5/1992	Vodhanel, Jr.	.....	D11/118
D370,142 S *	5/1996	Konecny	.....	D6/692.6
D379,878 S *	6/1997	Vassallo	.....	D6/681.1
D403,175 S *	12/1998	Dardashti	.....	D26/58
D503,286 S *	3/2005	Stevens	.....	D6/327
D557,941 S *	12/2007	Valentini	.....	D6/681.2
D560,089 S *	1/2008	DeMeyer	.....	D6/552
D699,486 S *	2/2014	Huang	.....	D6/681.3
D706,065 S *	6/2014	Wilson	.....	D6/677.3
D713,661 S *	9/2014	Yu	.....	D6/680.2
D760,516 S *	7/2016	Yu	.....	D6/680.2
D778,999 S *	2/2017	Zanyk	.....	D21/686
D833,185 S *	11/2018	Zhou	.....	D6/681.3
D885,809 S *	6/2020	Song	.....	D6/681.3
D885,810 S *	6/2020	Song	.....	D6/681.3
D923,373 S *	6/2021	Li	.....	D6/680.2

\* cited by examiner

*Primary Examiner* — Kelley A Donnelly

(74) *Attorney, Agent, or Firm* — Nitin Kaushik

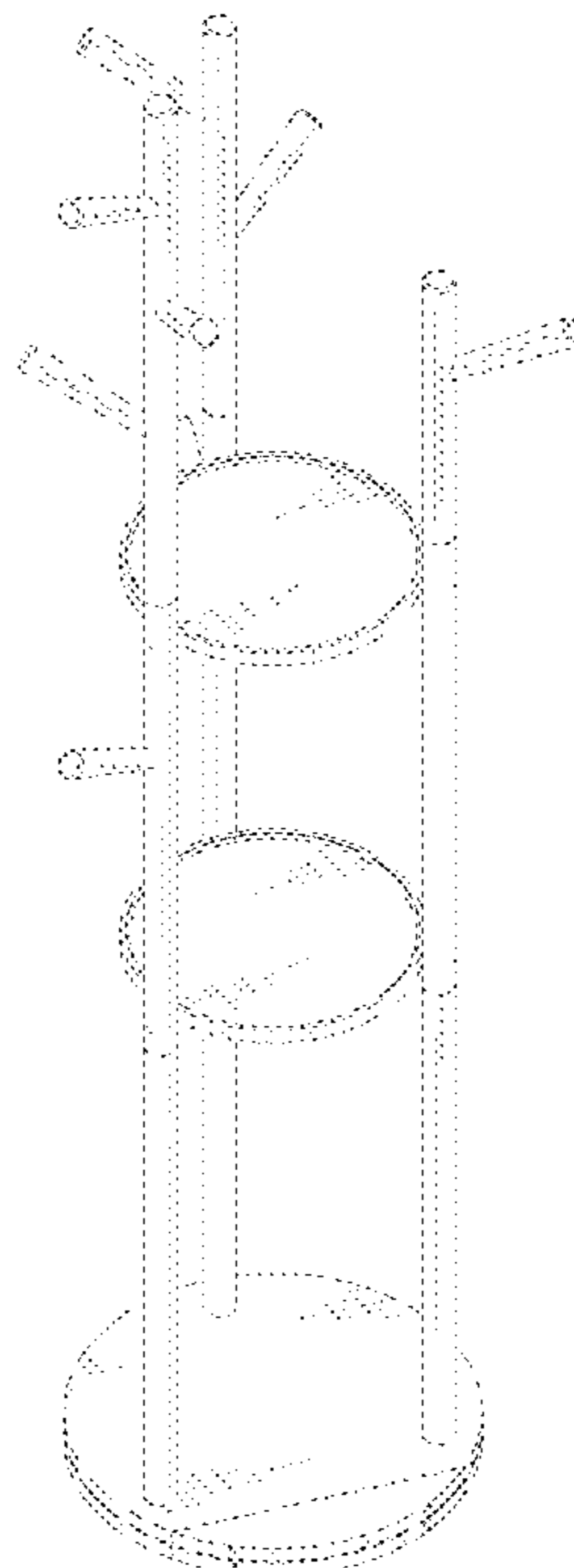
(57) **CLAIM**

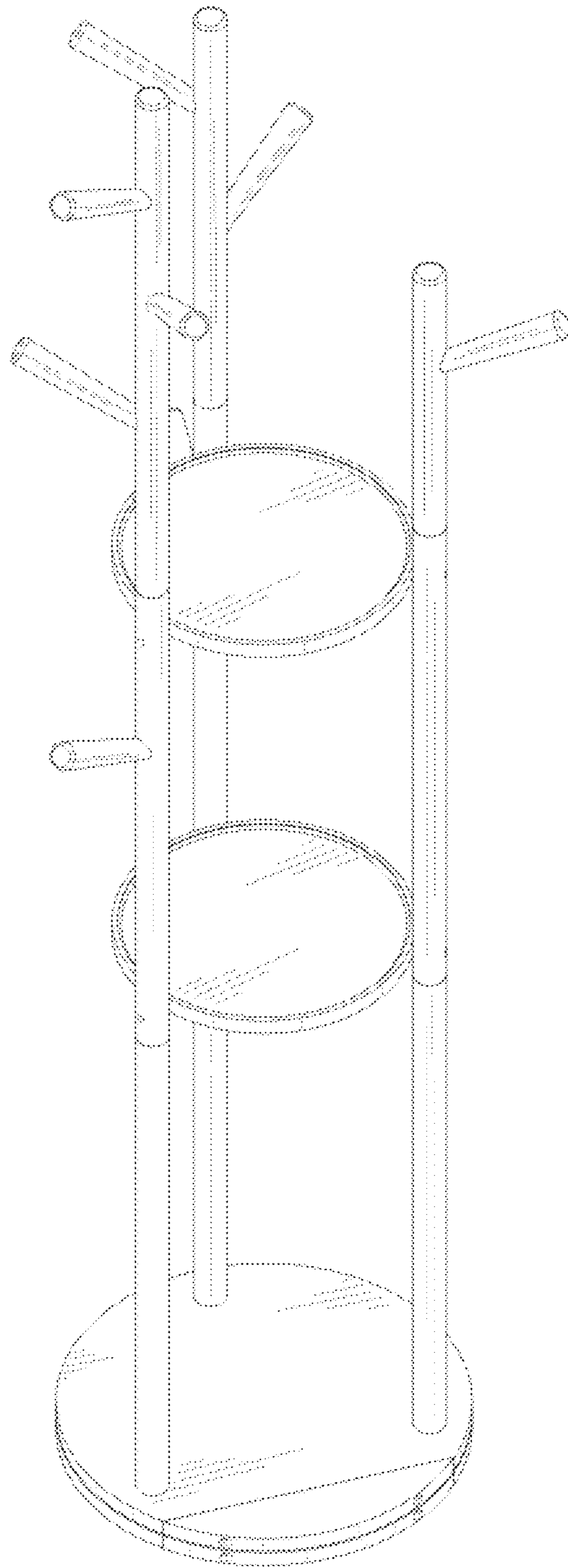
The ornamental design for a coat hanger, as shown and described.

**DESCRIPTION**

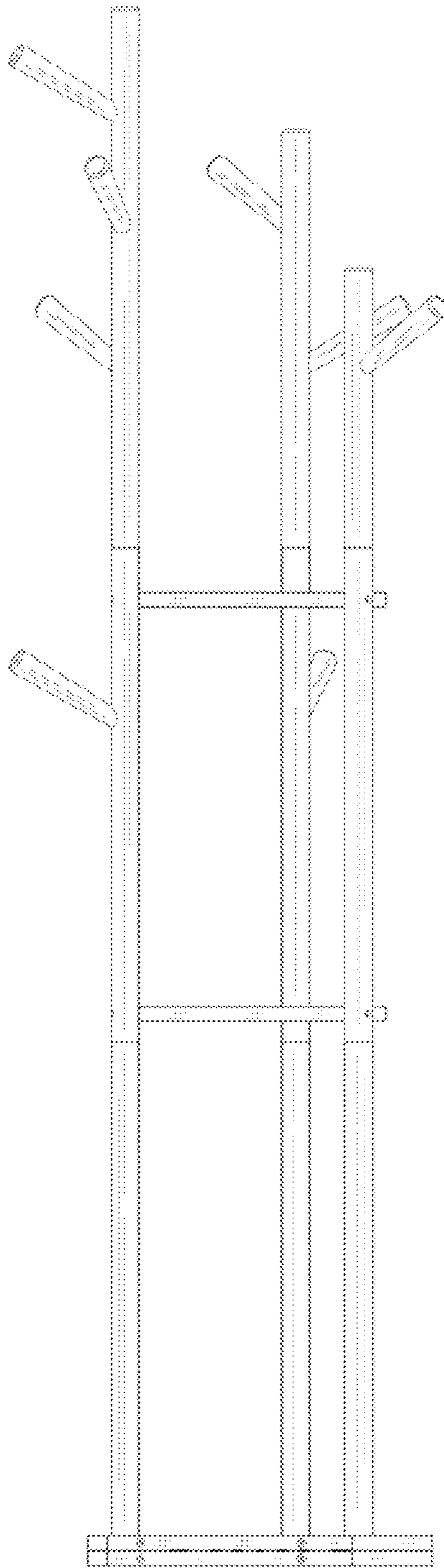
FIG. 1 is a front perspective view of a coat hanger, showing my new design;  
FIG. 2 is a front view thereof;  
FIG. 3 is a rear view thereof;  
FIG. 4 is a left side view thereof;  
FIG. 5 is a right side view thereof;  
FIG. 6 is a top view thereof; and,  
FIG. 7 is a bottom view thereof.  
The broken lines in the drawings illustrate the portions of the coat hanger, which form no part of the claimed design.

**1 Claim, 7 Drawing Sheets**

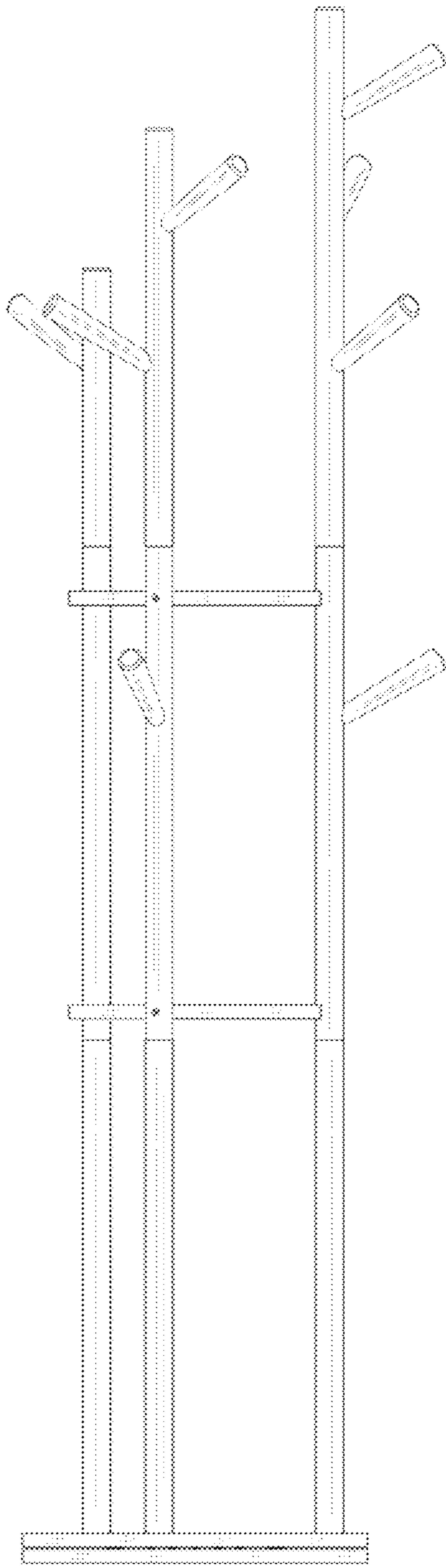




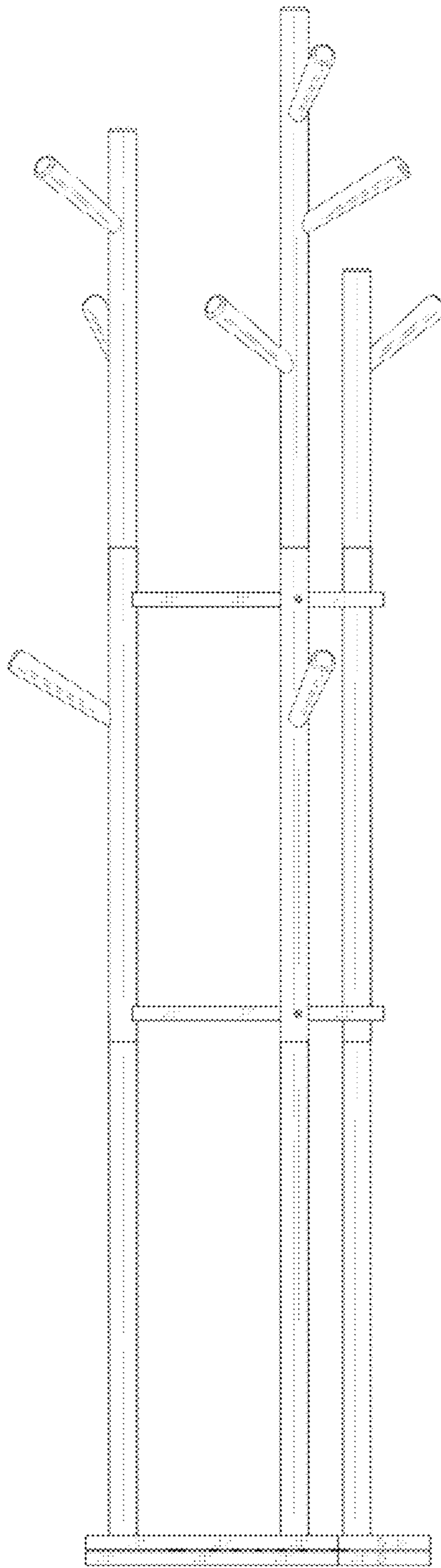
**FIG. 1**



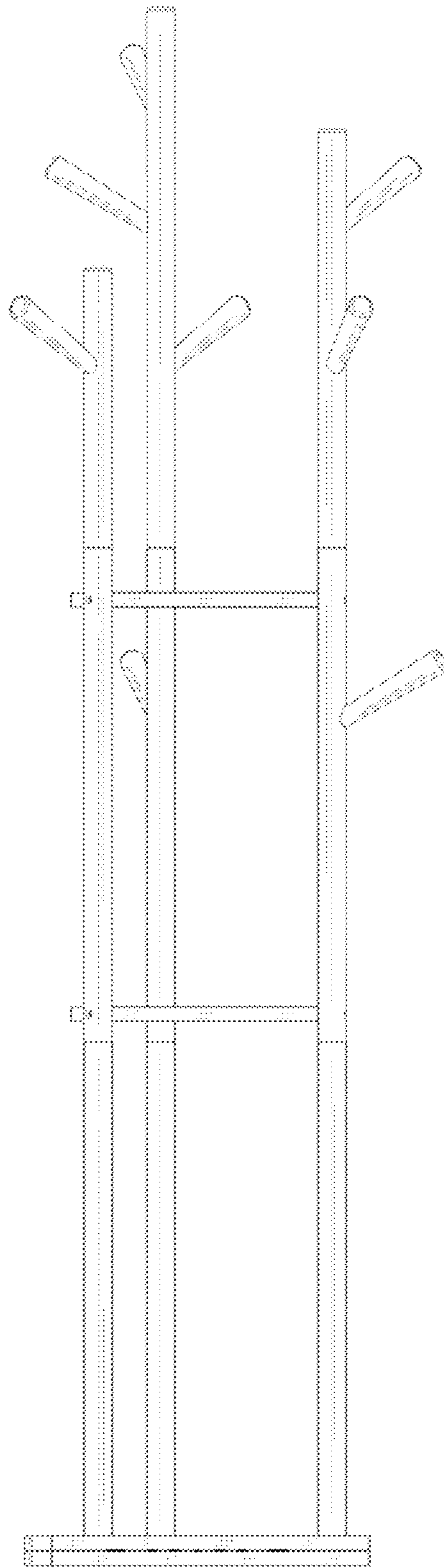
**FIG. 2**



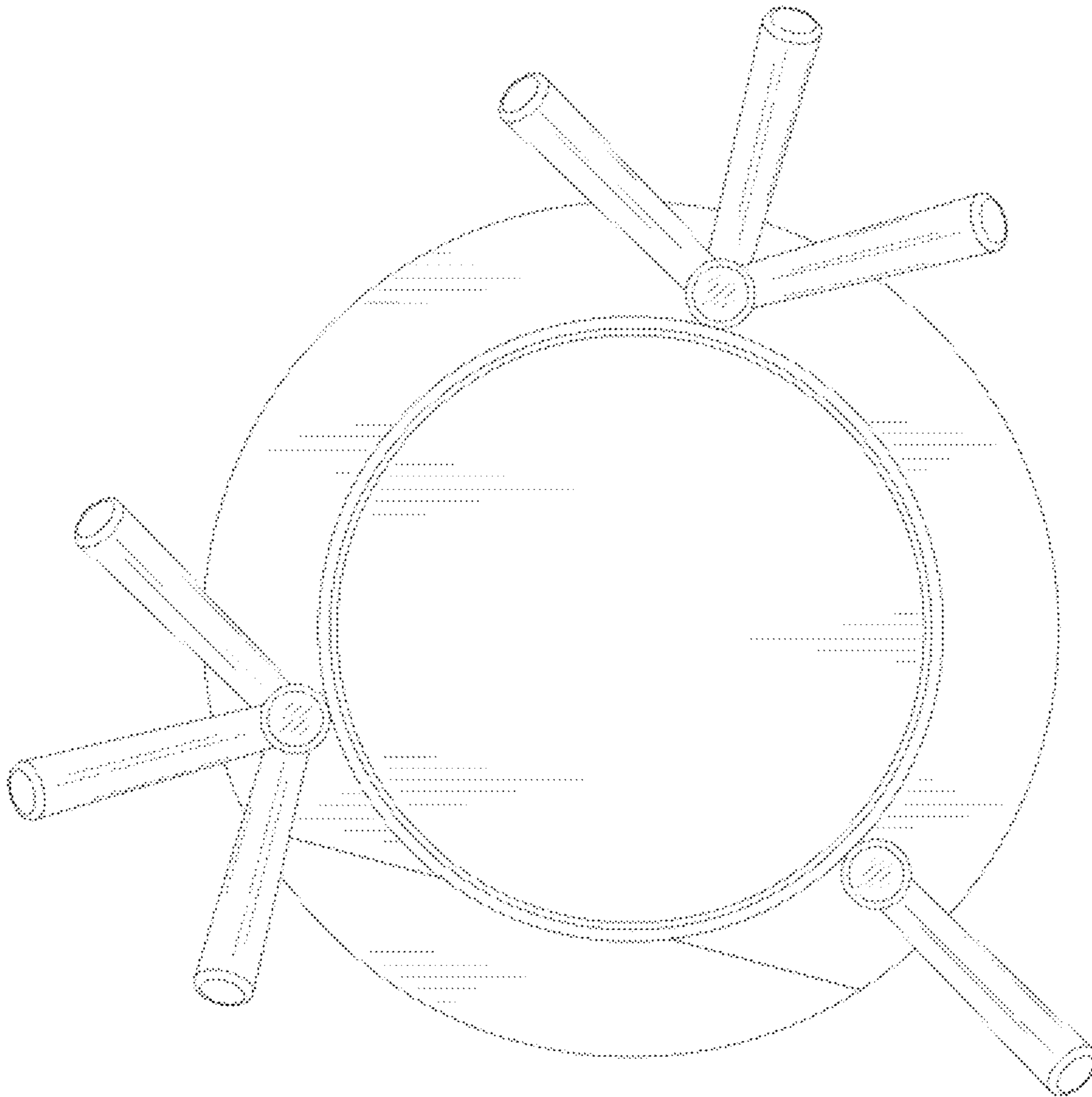
**FIG. 3**



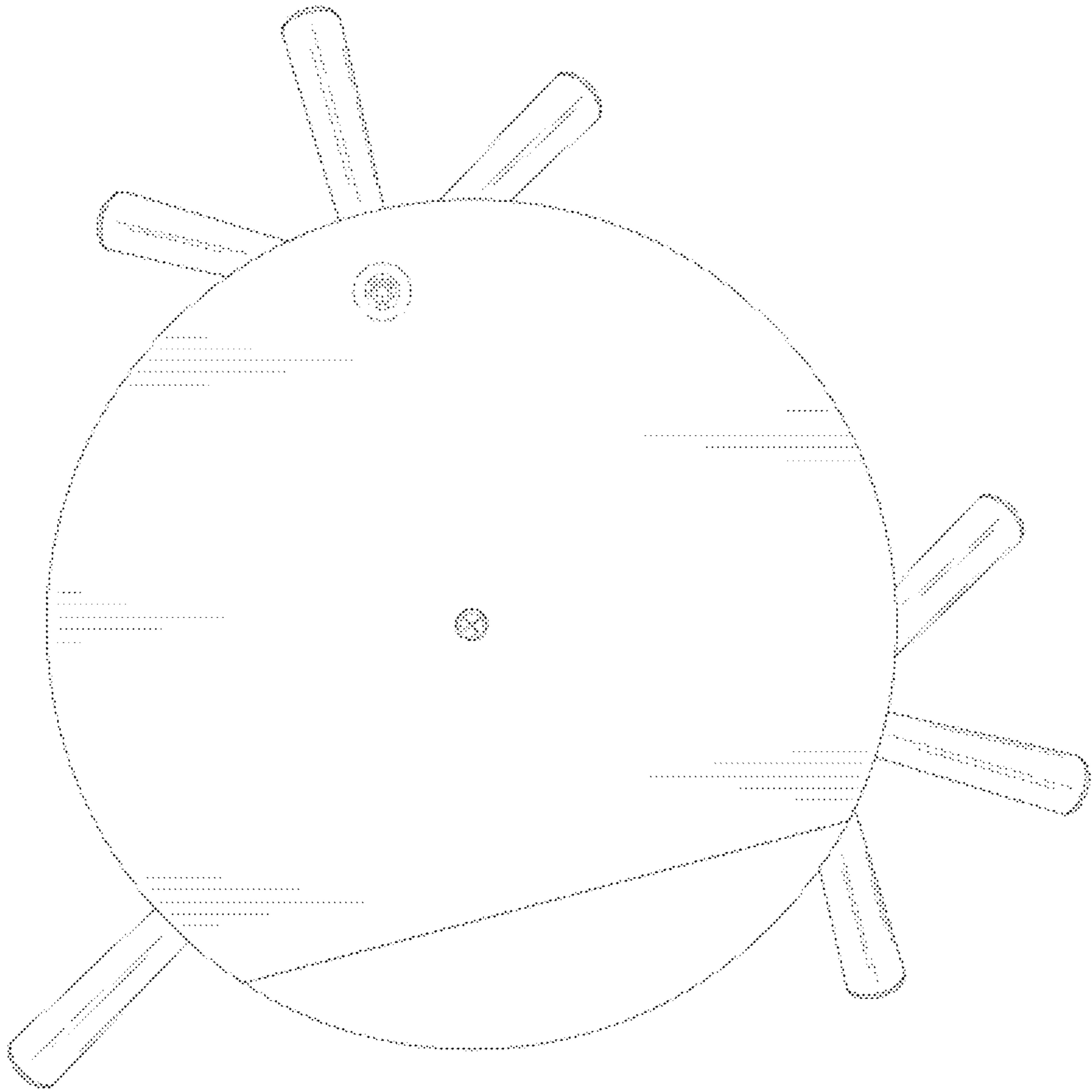
**FIG. 4**



**FIG. 5**



**FIG. 6**



**FIG. 7**