

US00D967656S

(12) **United States Design Patent**
Li

(10) **Patent No.:** **US D967,656 S**
(45) **Date of Patent:** **** Oct. 25, 2022**

(54) **FOLDING STORAGE CABINET**
(71) Applicant: **LUOYANG GREAT OFFICE**
FURNITURE CO., LTD., Luoyang
(CN)

(72) Inventor: **Ning Li**, Luoyang (CN)

(73) Assignee: **LUOYANG GREAT OFFICE**
FURNITURE CO., LTD., Luoyang
(CN)

(**) Term: **15 Years**

(21) Appl. No.: **29/827,957**

(22) Filed: **Feb. 23, 2022**

(51) **LOC (13) Cl.** **06-04**

(52) **U.S. Cl.**
USPC **D6/671**

(58) **Field of Classification Search**
USPC D6/663, 664, 671, 671.1, 671.2, 671.3,
D6/671.4

CPC A47B 43/003; A47B 47/02; A47B 47/04;
A47B 85/00; A47B 77/10; A47B 63/00

See application file for complete search history.

(56) **References Cited**

U.S. PATENT DOCUMENTS

1,944,394	A *	1/1934	Bales	A47B 47/03 312/351
D146,861	S *	6/1947	Kneeland	D6/671.1
D238,300	S *	12/1975	Klemm	D7/347
5,645,332	A *	7/1997	Snoke	F16B 12/38 312/265.5
D431,733	S *	10/2000	Zimmerman	D6/671.1
D518,310	S *	4/2006	Mehmen	D6/668.1
D559,012	S *	1/2008	Mehmen	D6/671.1
D559,588	S *	1/2008	Mehmen	D6/671.1
D567,537	S *	4/2008	Mehmen	D6/668.1
D613,973	S	4/2010	Holcomb		
D632,506	S	2/2011	Perc		
D634,945	S	3/2011	Perc		

D642,400 S 8/2011 Koehn
D644,037 S 8/2011 Koehn
D646,080 S 10/2011 Clegg et al.
(Continued)

OTHER PUBLICATIONS

Luoyang, posted at Alibaba.com, posted on Sep. 10, 2020, site visited Aug. 3, 2022. online, available from internet: <https://tineye.com/search/872190ae05057526c68156eb15f95f2539af2396?sort=score&order=desc&page=1> (Year: 2020).*

Primary Examiner — Catherine Ho

(74) *Attorney, Agent, or Firm* — Chun-Ming Shih;
Lanway IPR Services

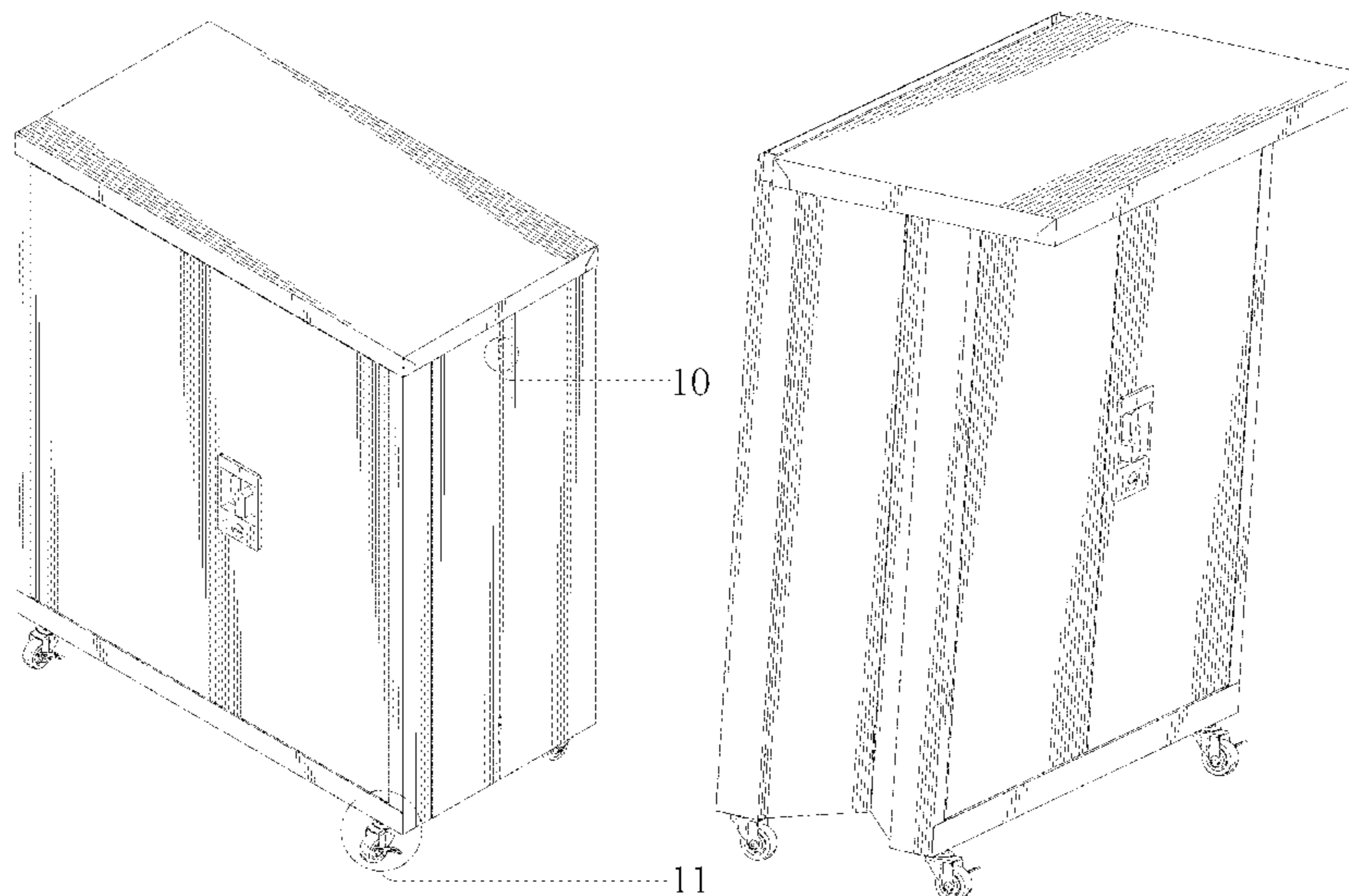
(57) **CLAIM**

The ornamental design for a folding storage cabinet, as shown and described.

DESCRIPTION

FIG. 1 is a top perspective view of a folding storage cabinet, showing the new design;
FIG. 2 is a bottom perspective view thereof;
FIG. 3 is a front view thereof;
FIG. 4 is a back view thereof;
FIG. 5 is a left side view thereof;
FIG. 6 is a right side view thereof;
FIG. 7 is a top view thereof;
FIG. 8 is a bottom view thereof;
FIG. 9 is a top perspective view of a folding storage cabinet in a folded position;
FIG. 10 is an enlarged detailed view of encircled area 10 in FIG. 1;
FIG. 11 is an enlarged detailed view of encircled area 11 in FIG. 1; and,
FIG. 12 is an enlarged detailed view of encircled area 12 in FIG. 2.
The broken lines represent the portions of the article that form no part of the claimed design.

1 Claim, 12 Drawing Sheets



(56)

References Cited

U.S. PATENT DOCUMENTS

D668,078 S	10/2012	Daino et al.	
D670,510 S	11/2012	Daino et al.	
D704,966 S	5/2014	Korb	
D763,604 S *	8/2016	Weatherly	D6/671.1
D811,132 S *	2/2018	Ni	D6/671.1
D864,623 S	10/2019	Vandenharn et al.	
D904,081 S	12/2020	Hermann et al.	

* cited by examiner

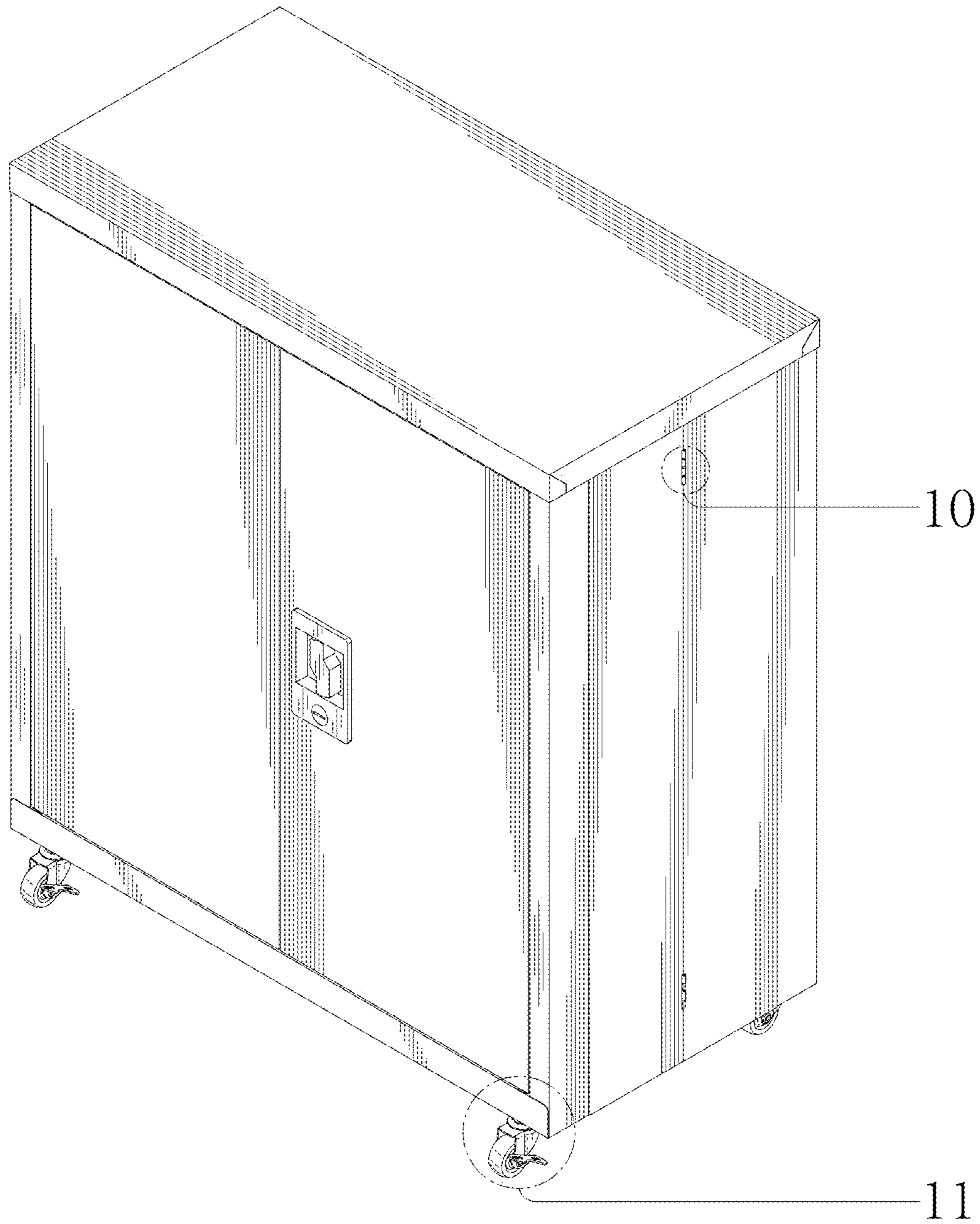


FIG. 1

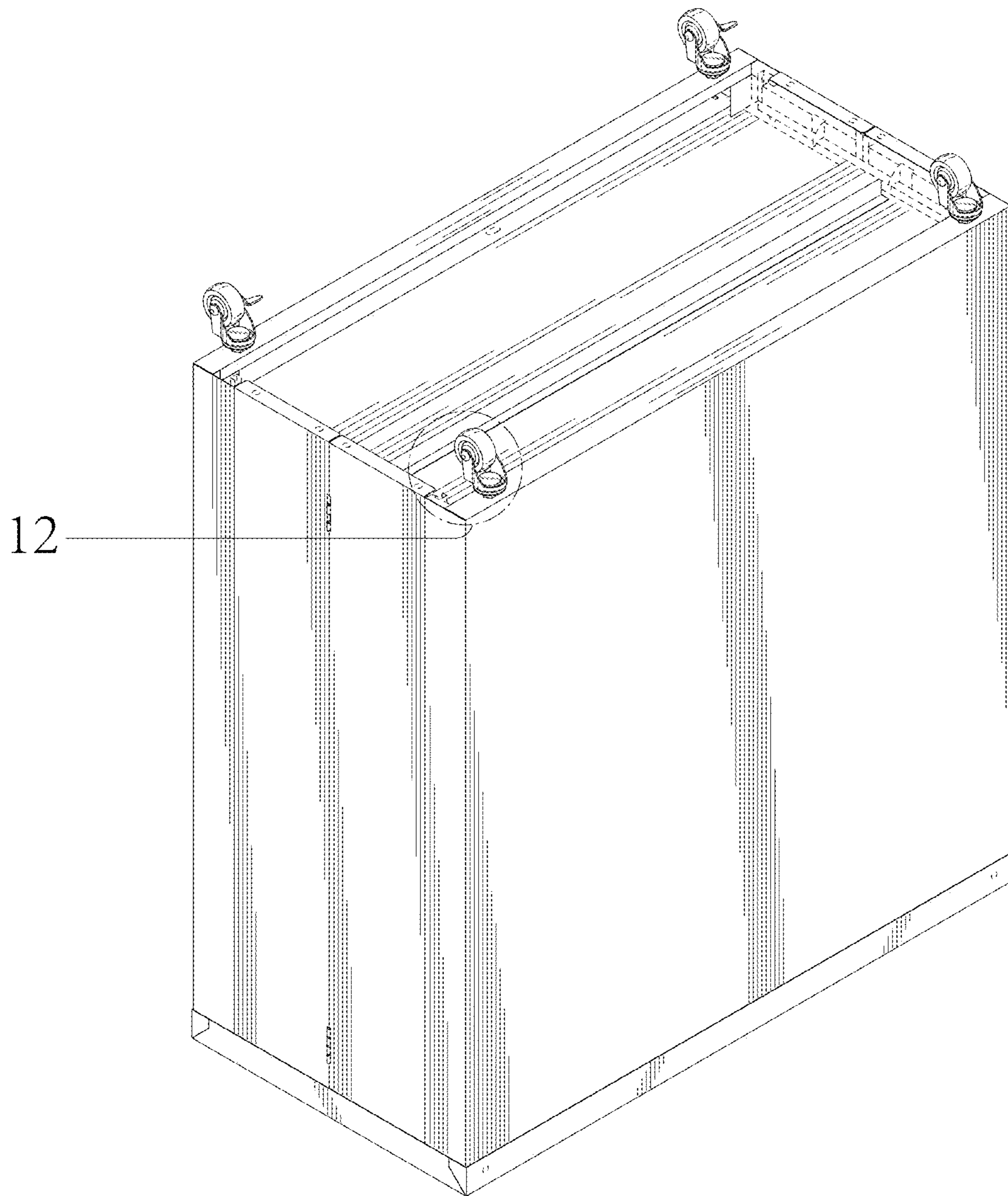


FIG. 2

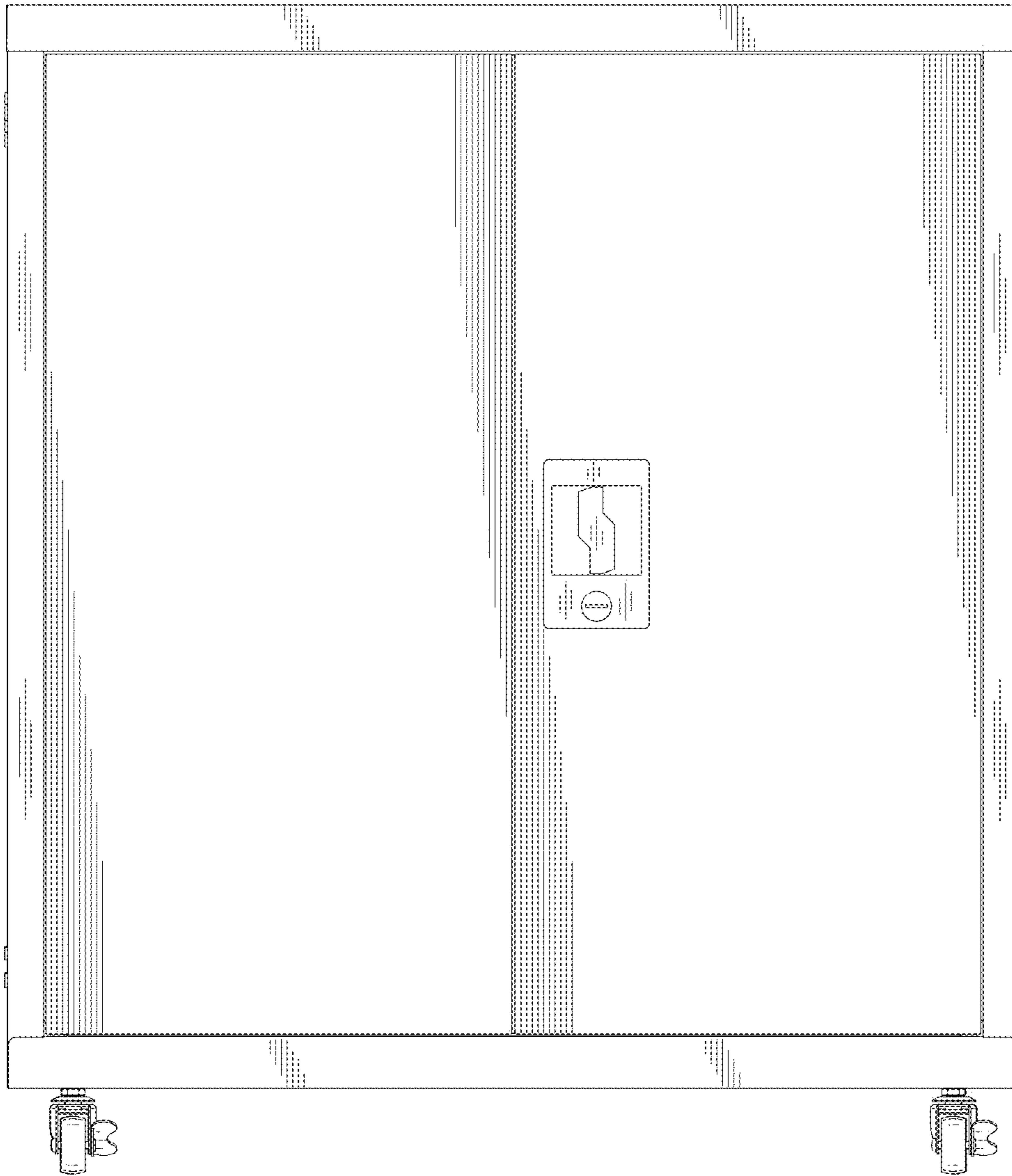


FIG. 3

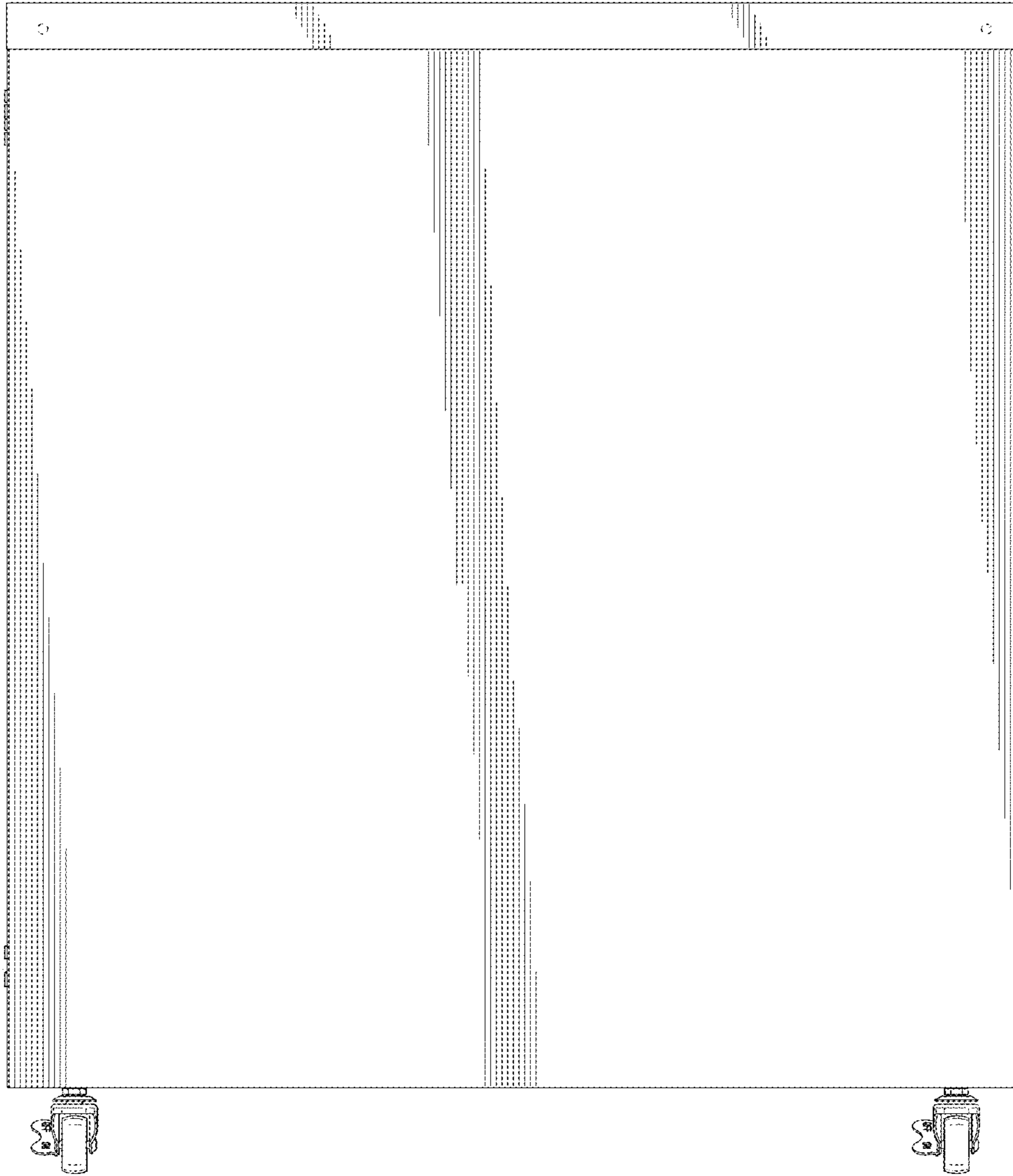


FIG. 4

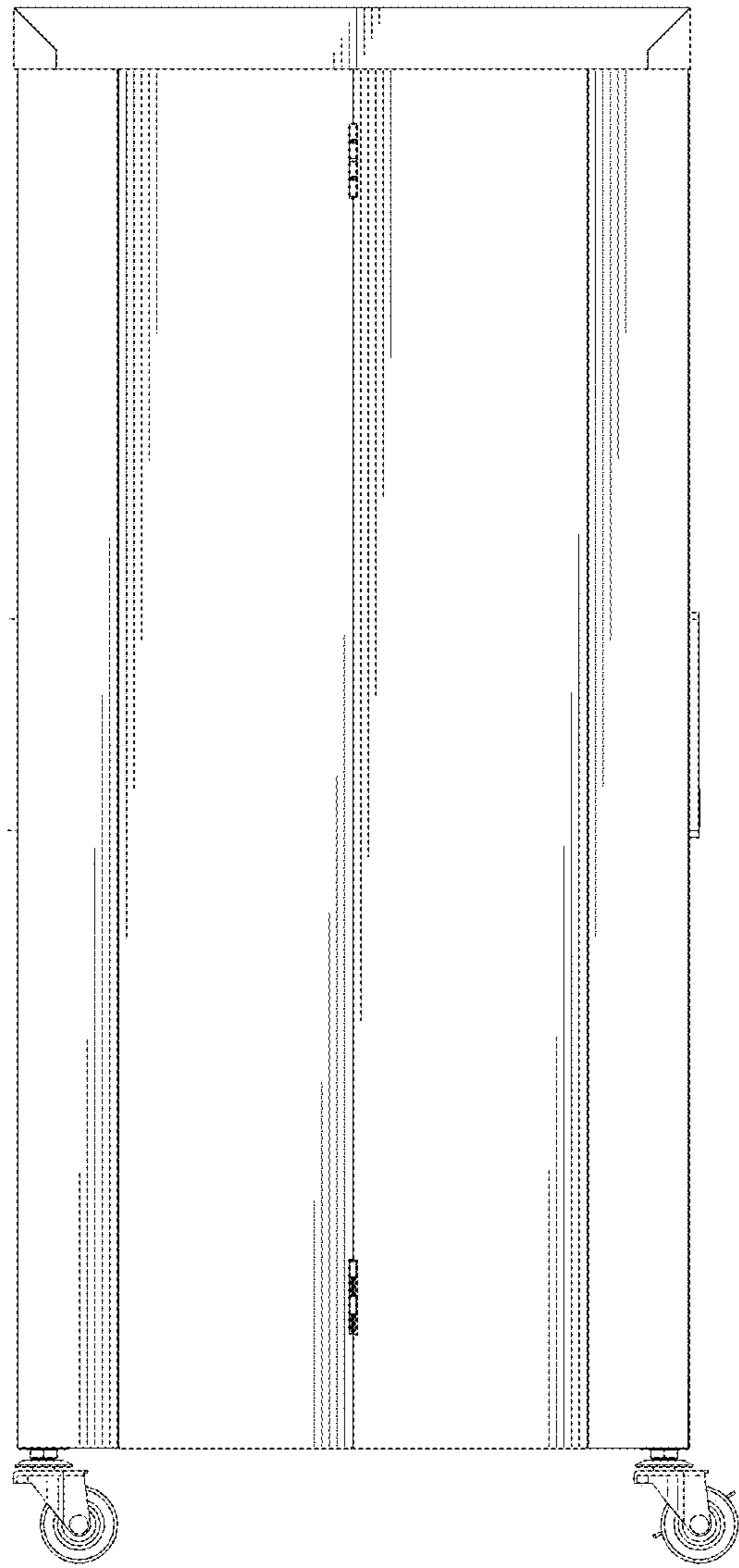


FIG. 5

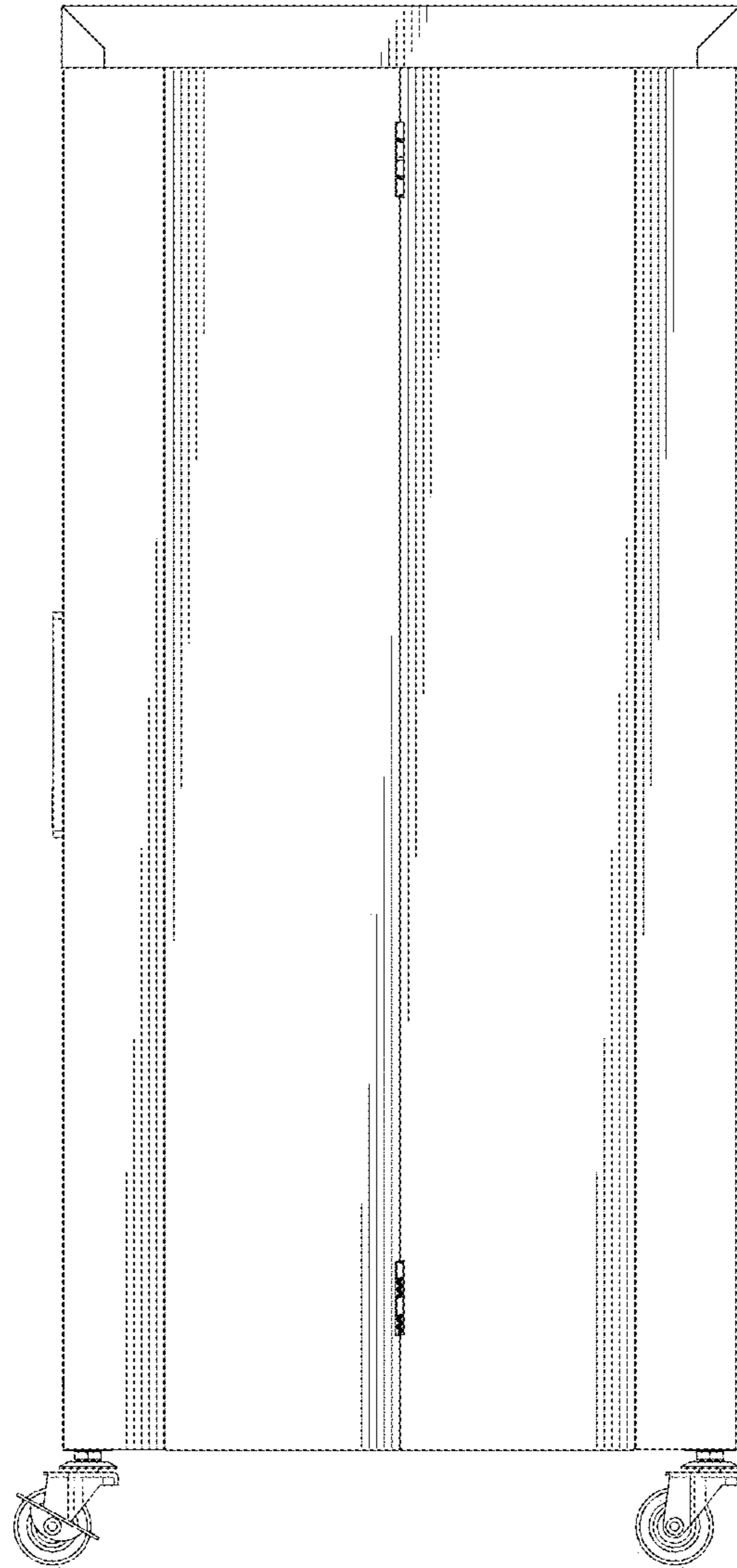


FIG. 6

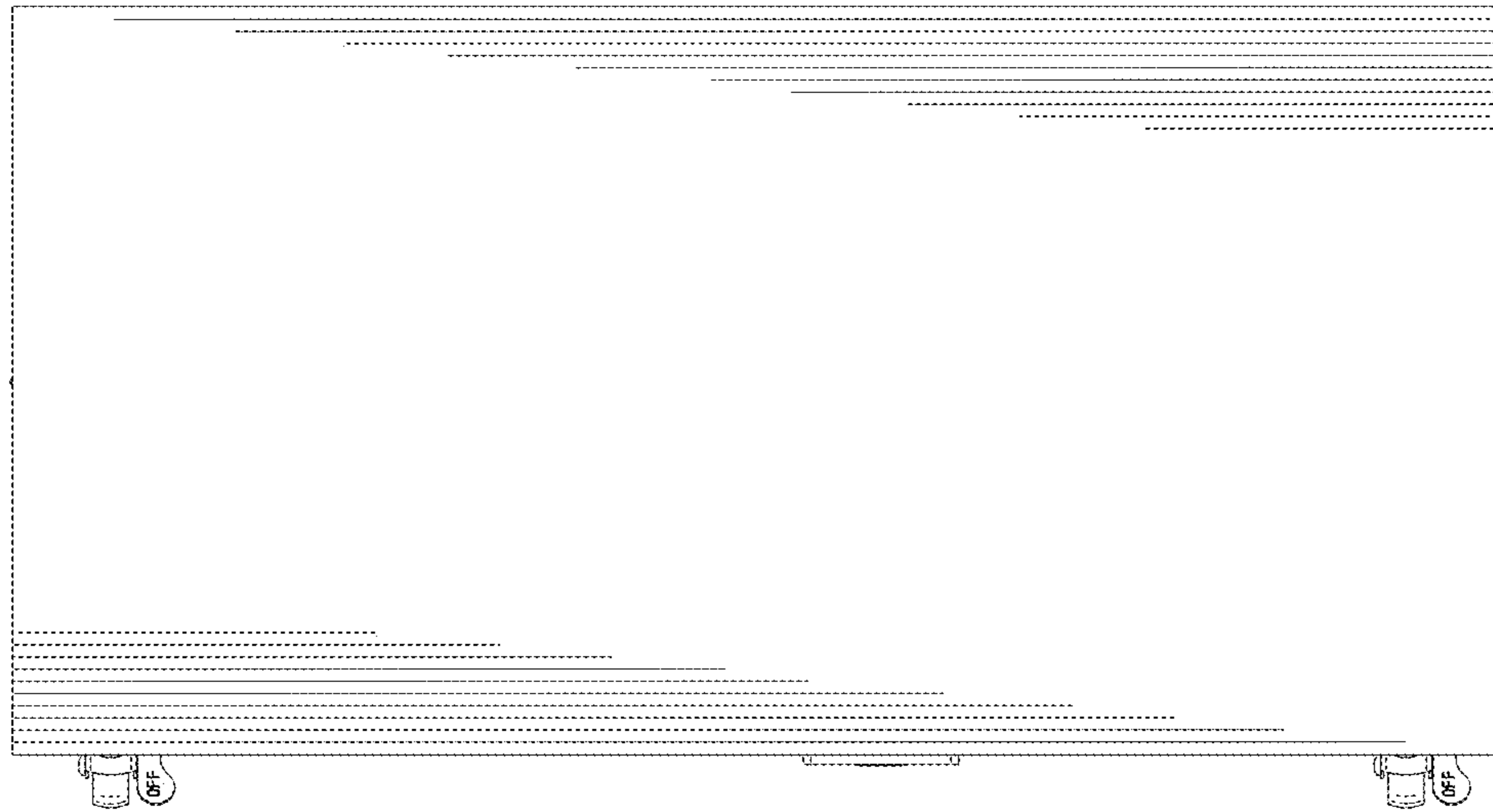


FIG. 7

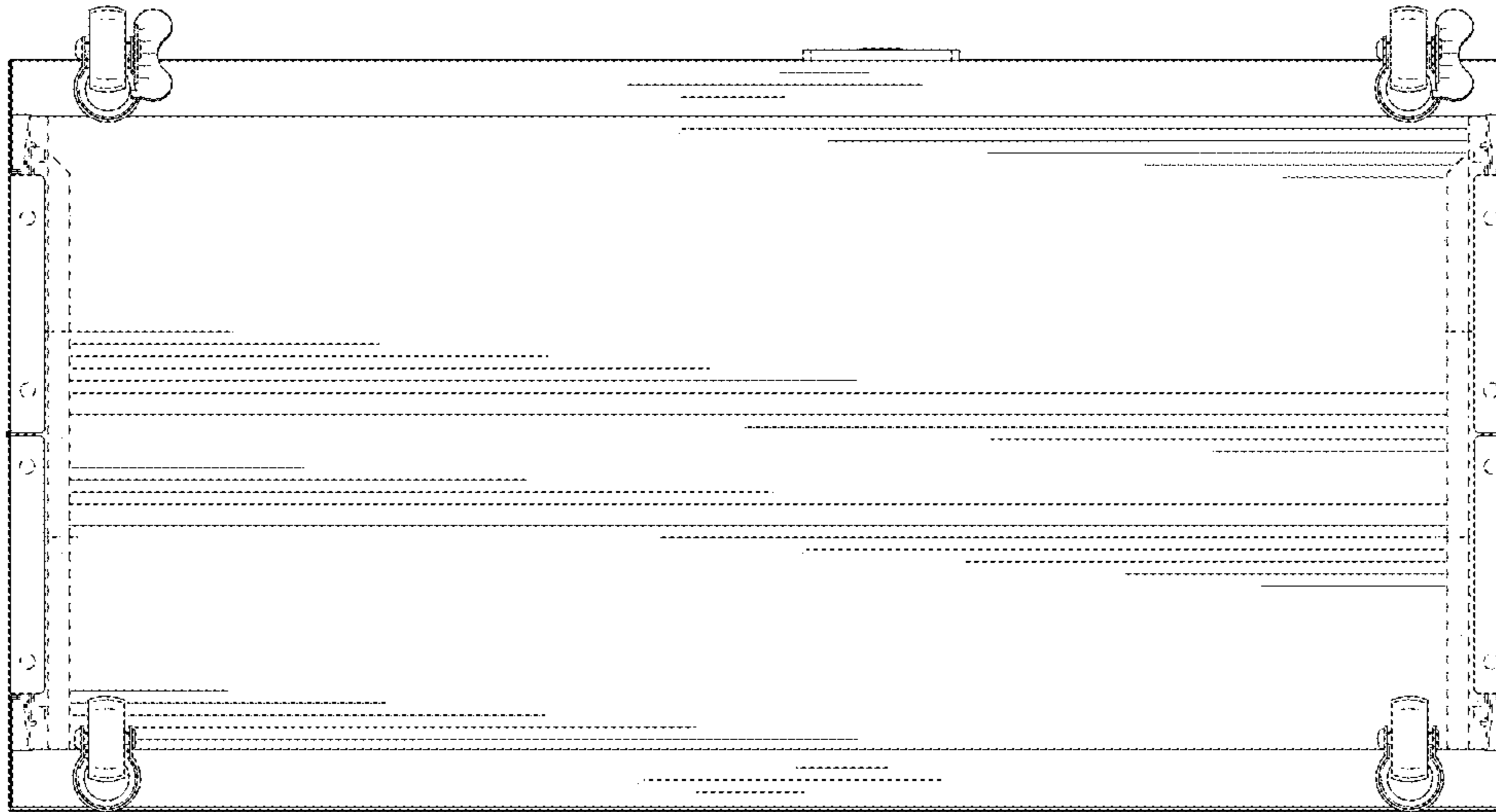


FIG. 8

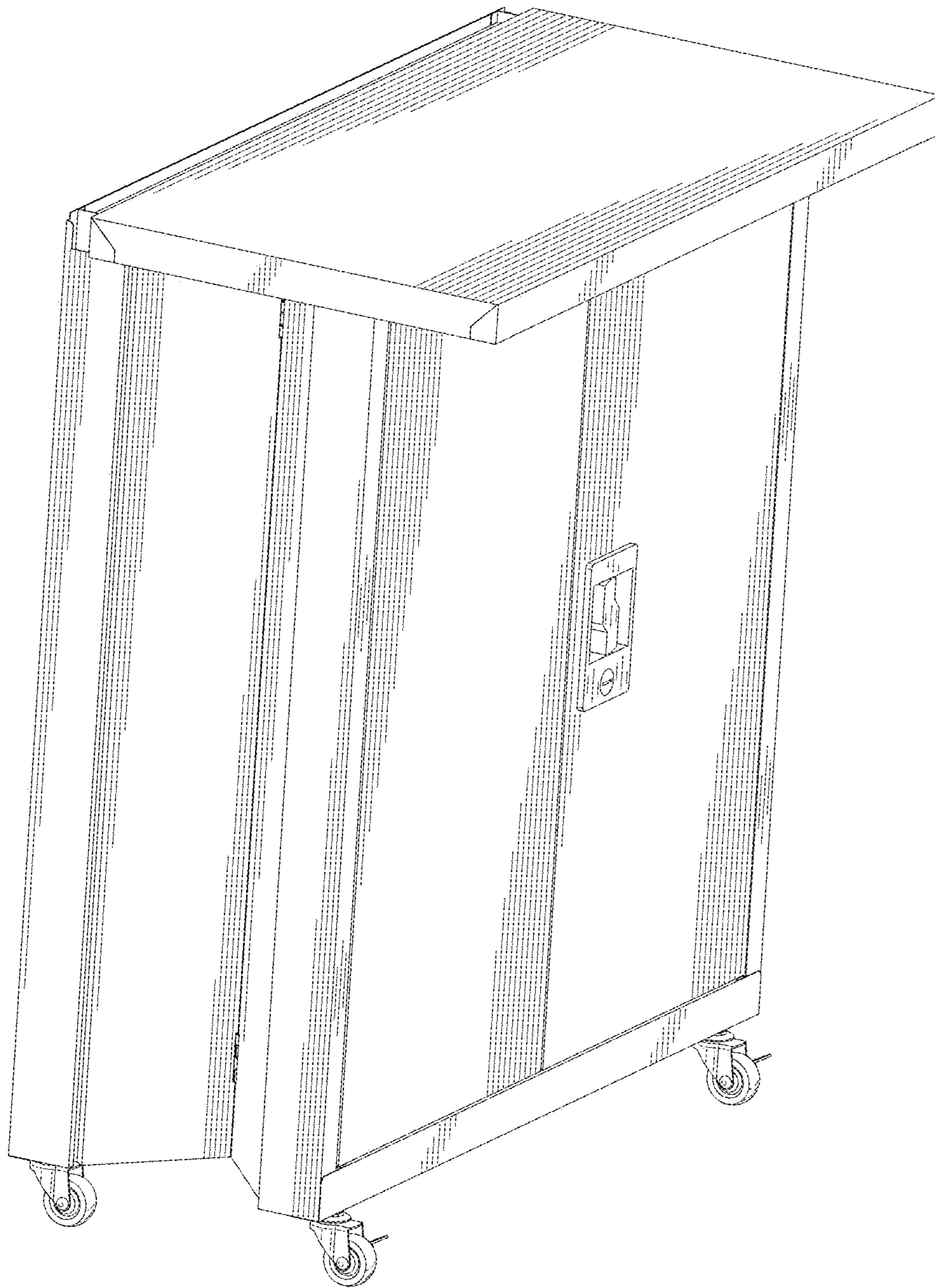


FIG. 9

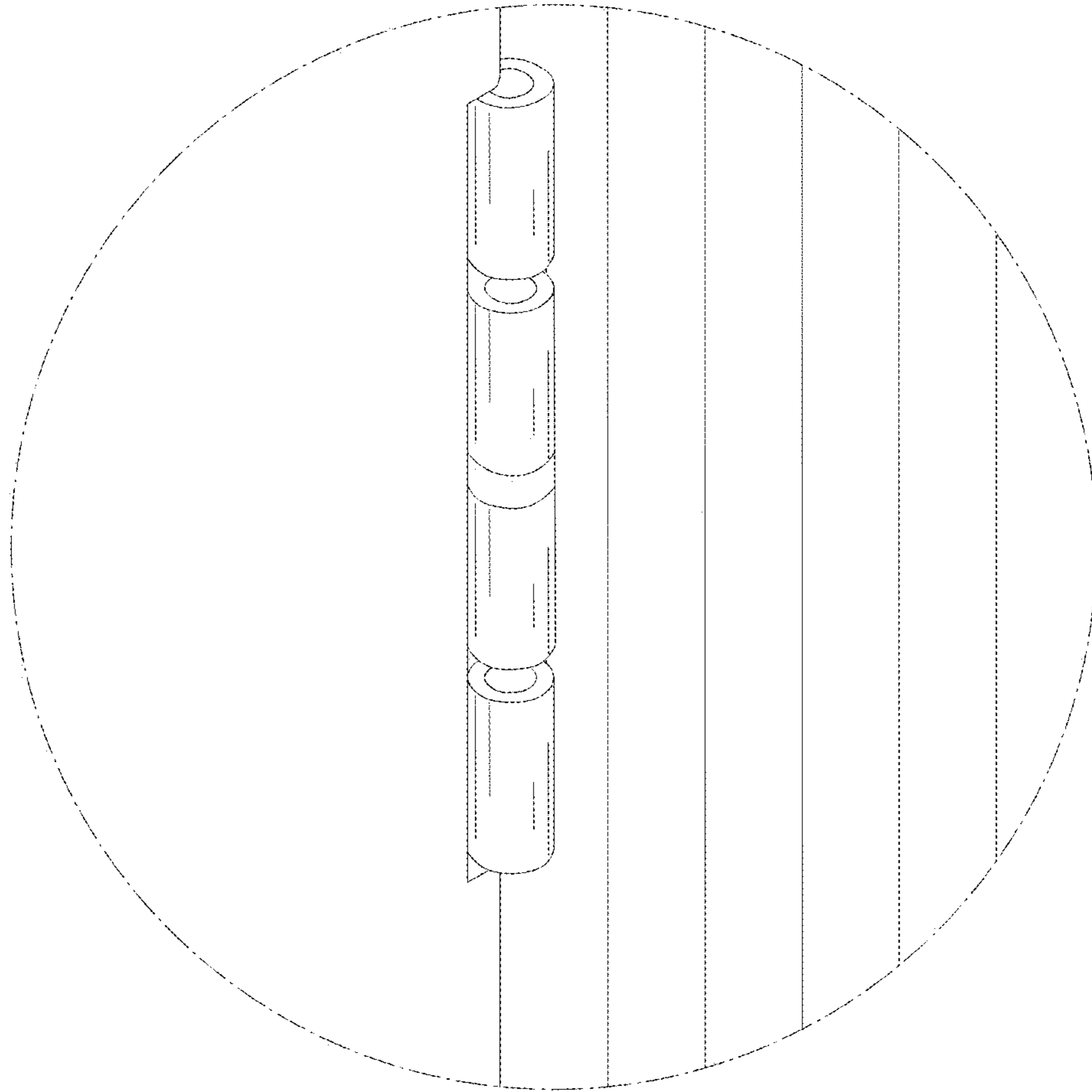


FIG.10

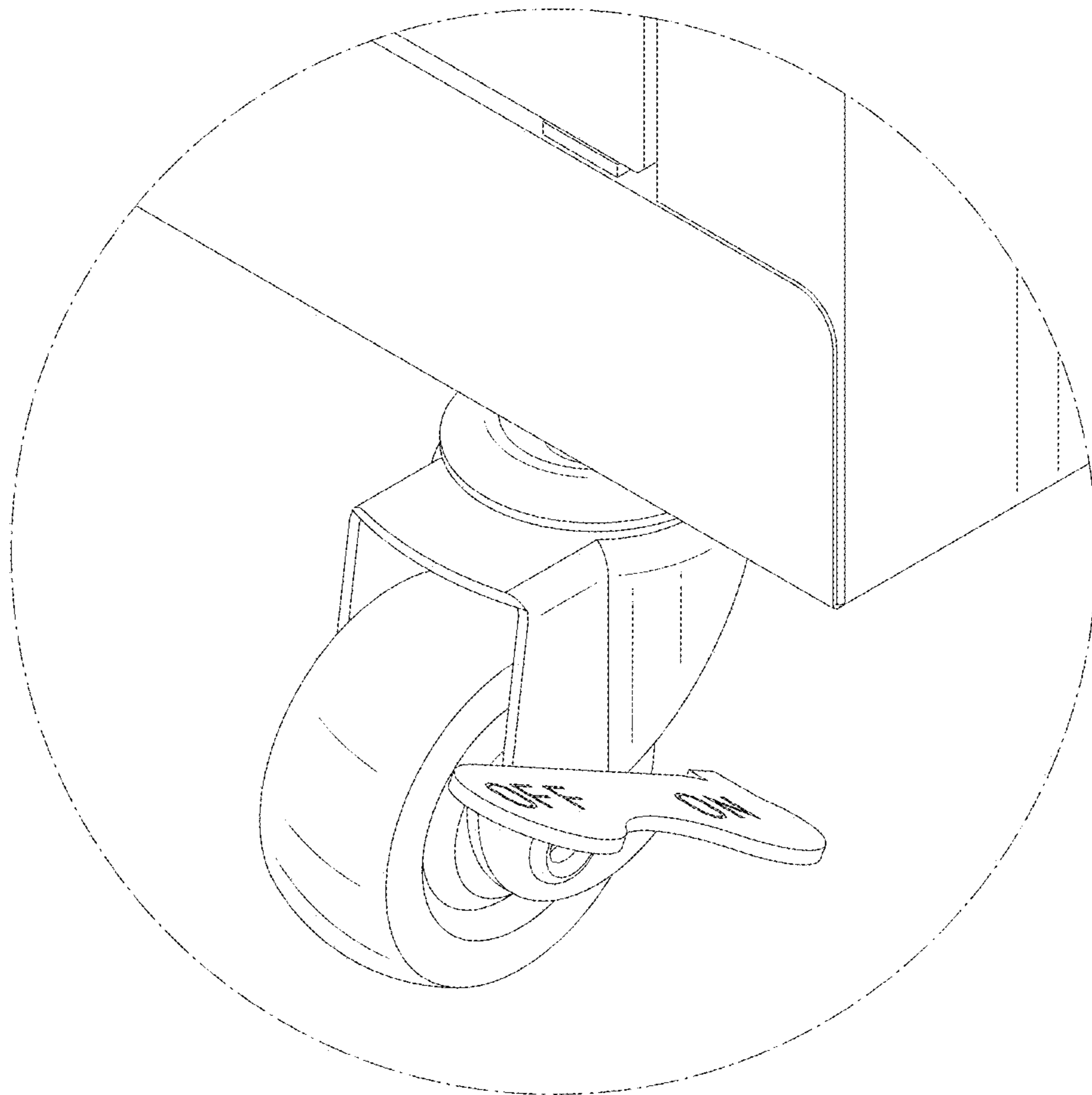


FIG.11

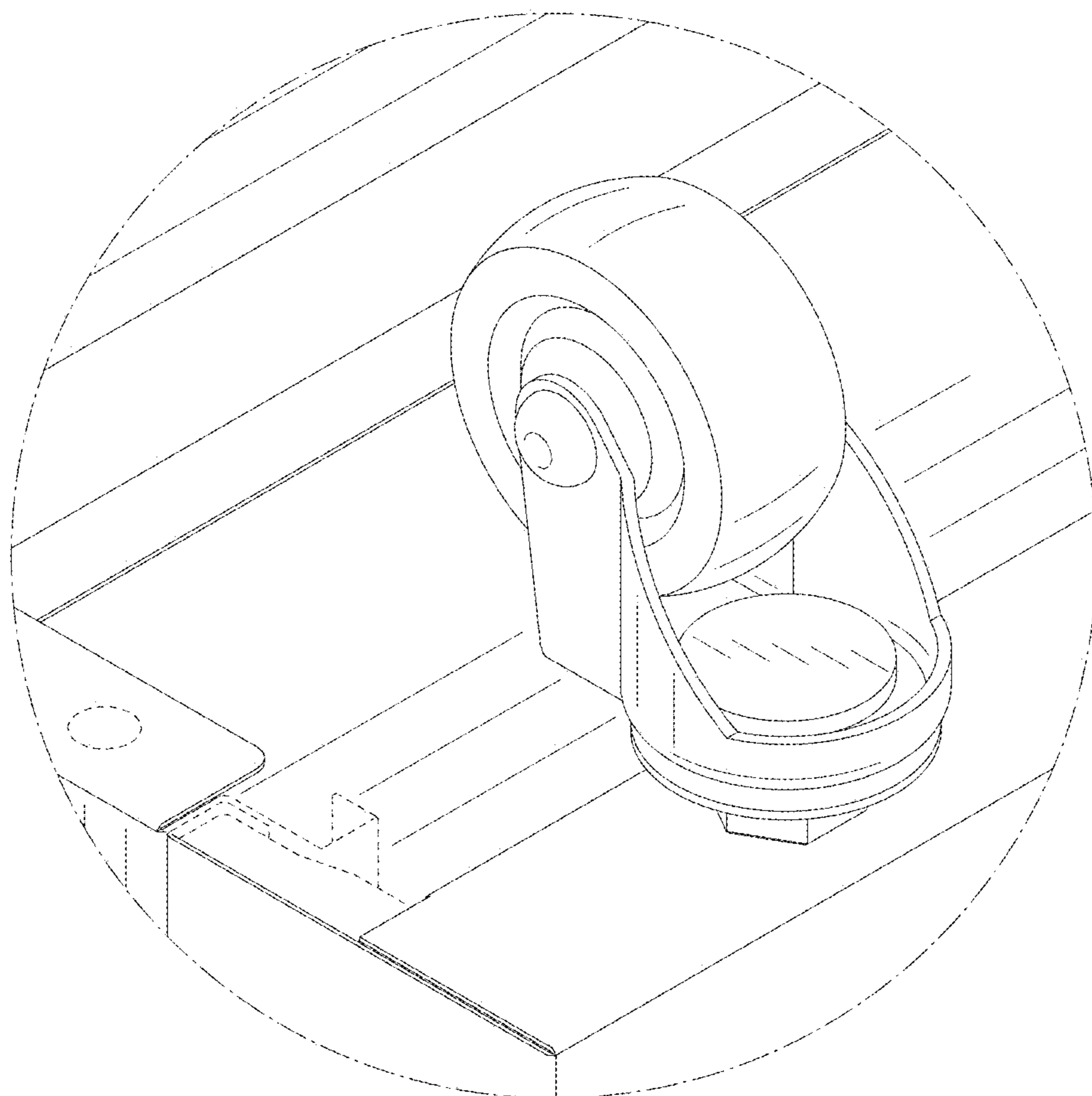


FIG.12