

US00D967655S

(12) **United States Design Patent**
Zhu

(10) **Patent No.:** **US D967,655 S**
(45) **Date of Patent:** **** Oct. 25, 2022**

- (54) **DRESSING TABLE**
- (71) Applicant: **Xiahong Zhu**, Anshun (CN)
- (72) Inventor: **Xiahong Zhu**, Anshun (CN)
- (**) Term: **15 Years**
- (21) Appl. No.: **29/804,695**
- (22) Filed: **Aug. 23, 2021**
- (51) **LOC (13) Cl.** **06-04**
- (52) **U.S. Cl.**
USPC **D6/664.1**
- (58) **Field of Classification Search**
USPC D6/300, 308, 657, 663, 664, 664.1, 671,
D6/671.1, 671.2, 671.3, 671.4, 686
CPC A47B 17/04; A47B 67/00; A47B 67/005;
A47B 67/04; A47B 88/00; A47B 88/40;
A47B 43/00; A47B 46/00; A47B 47/00;
A47B 47/022; A47B 47/04; A47B 55/00;
A45D 42/10
See application file for complete search history.

D668,887 S	10/2012	Schmitt	
D724,868 S	3/2015	Liu	
D809,322 S *	2/2018	Choi	D6/664.1
D882,279 S *	4/2020	Zhu	D6/308
D923,366 S	6/2021	Huang	
D935,808 S *	11/2021	Yu	D6/664.1
D938,198 S *	12/2021	Huang	D6/664.1
D955,788 S *	6/2022	Zhu	D6/664.1

* cited by examiner

Primary Examiner — Mimoso De
(74) *Attorney, Agent, or Firm* — Rumit Ranjit Kanakia

(57) **CLAIM**

The ornamental design for a dressing table, as shown and described.

DESCRIPTION

FIG. 1 is a front elevational view of a dressing table showing my new design;
 FIG. 2 is a rear elevational view thereof; and
 FIG. 3 is a left elevational view thereof;
 FIG. 4 is a right side view thereof;
 FIG. 5 is a top side view thereof;
 FIG. 6 is a bottom plan view thereof;
 FIG. 7 is a perspective view of a dressing table showing my new design;
 FIG. 8 is another perspective view thereof;
 FIG. 9 is a partial enlarged view of FIG. 1;
 FIG. 10 is a partial enlarged view of FIG. 1,
 FIG. 11 is a partial enlarged view of FIG. 7; and,
 FIG. 12 is a partial enlarged view of FIG. 7.
 The broken lines in the figures are for the purposes of illustrating portions of the dressing table, which form no part of the claimed design.

(56) **References Cited**

U.S. PATENT DOCUMENTS

D416,711 S *	11/1999	Chou	D6/664.1
D416,712 S *	11/1999	Chou	D6/664.1
D455,913 S	4/2002	Shamie	
D577,225 S *	9/2008	Greiner	D6/664.1
D586,581 S	2/2009	Schmitt	
D603,622 S	11/2009	Schmitt	
D604,960 S	12/2009	Garbin	
D655,943 S	3/2012	Schmitt	
D663,548 S	7/2012	Domack	
D664,375 S	7/2012	Pamudji	

1 Claim, 12 Drawing Sheets

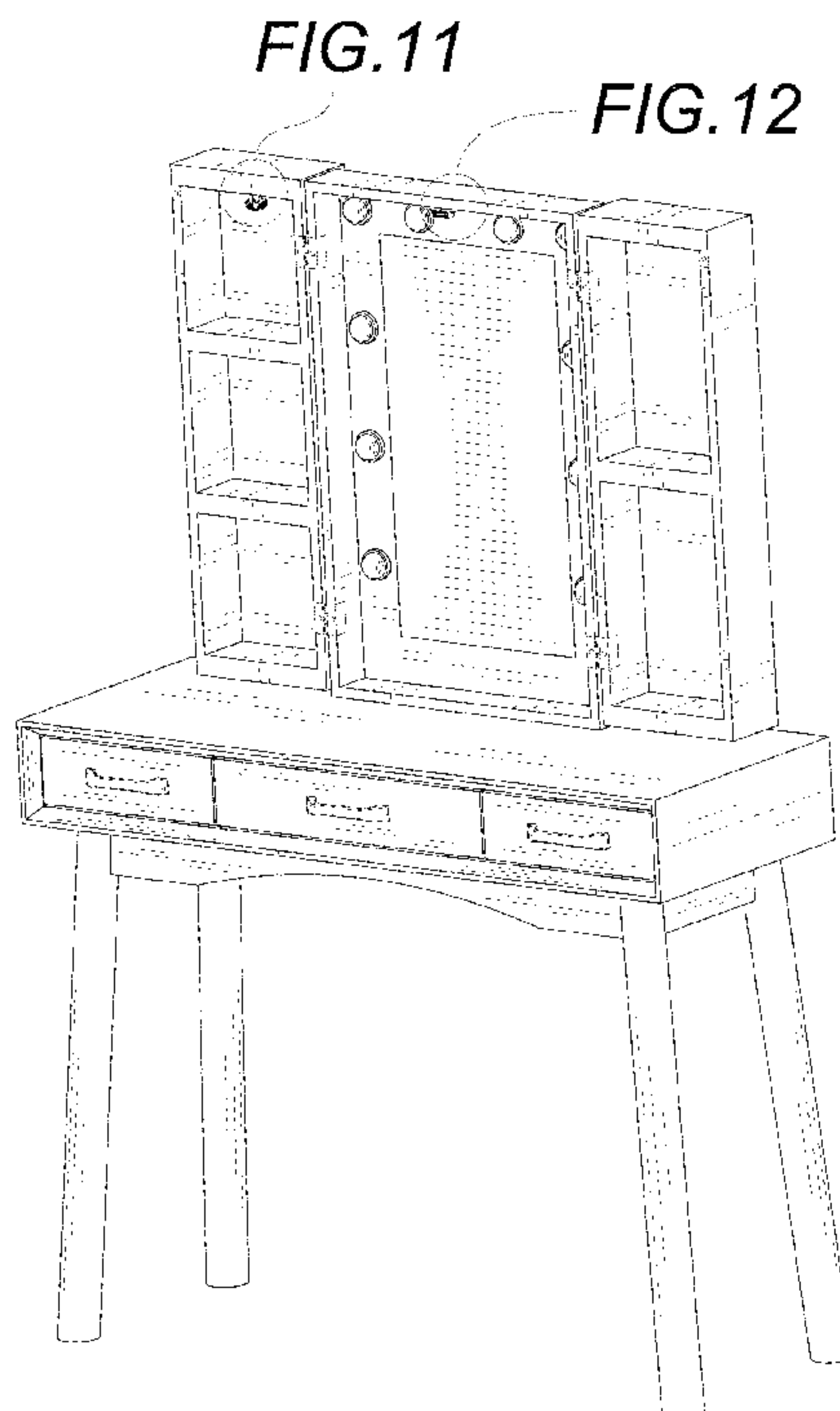


FIG.9

FIG.10

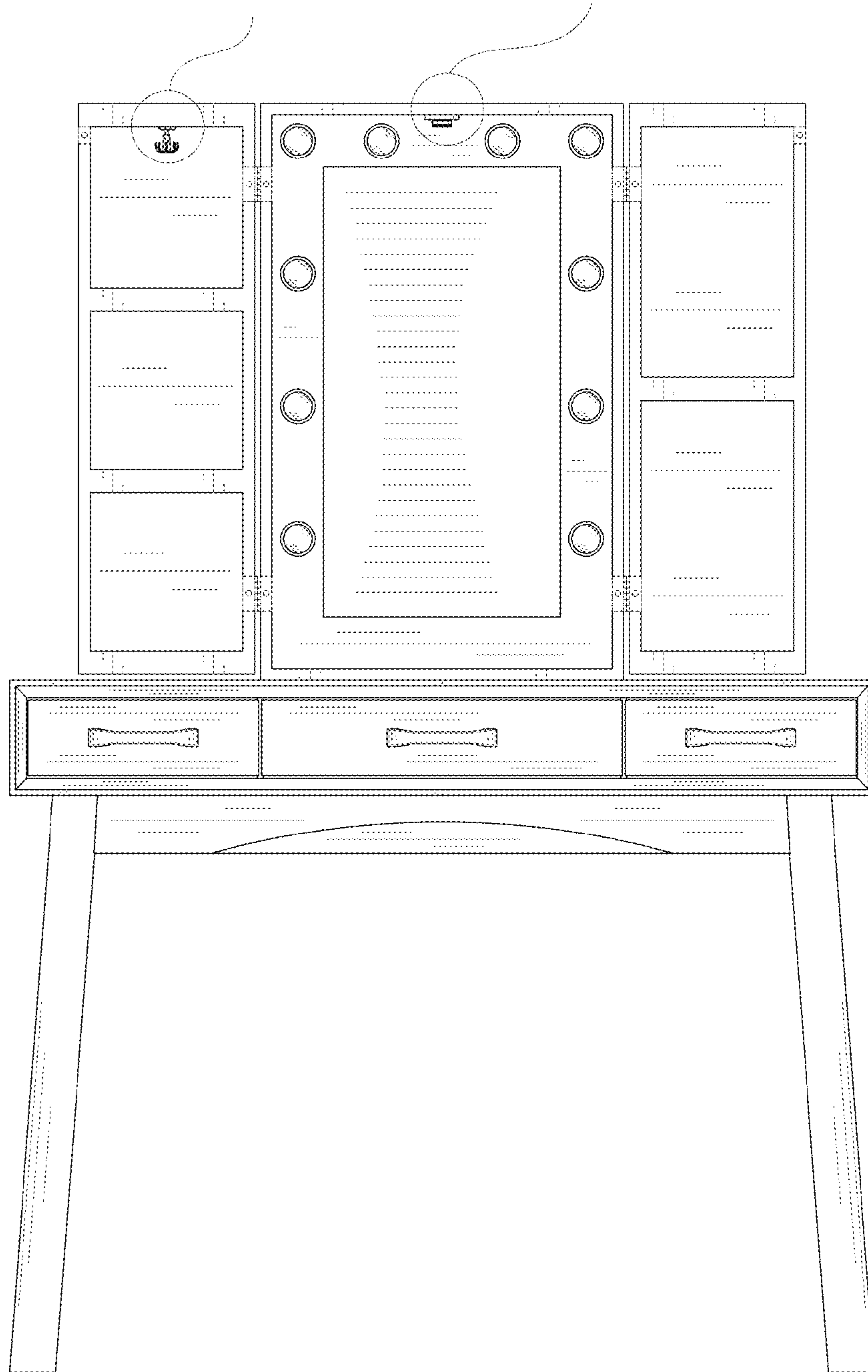


FIG.1

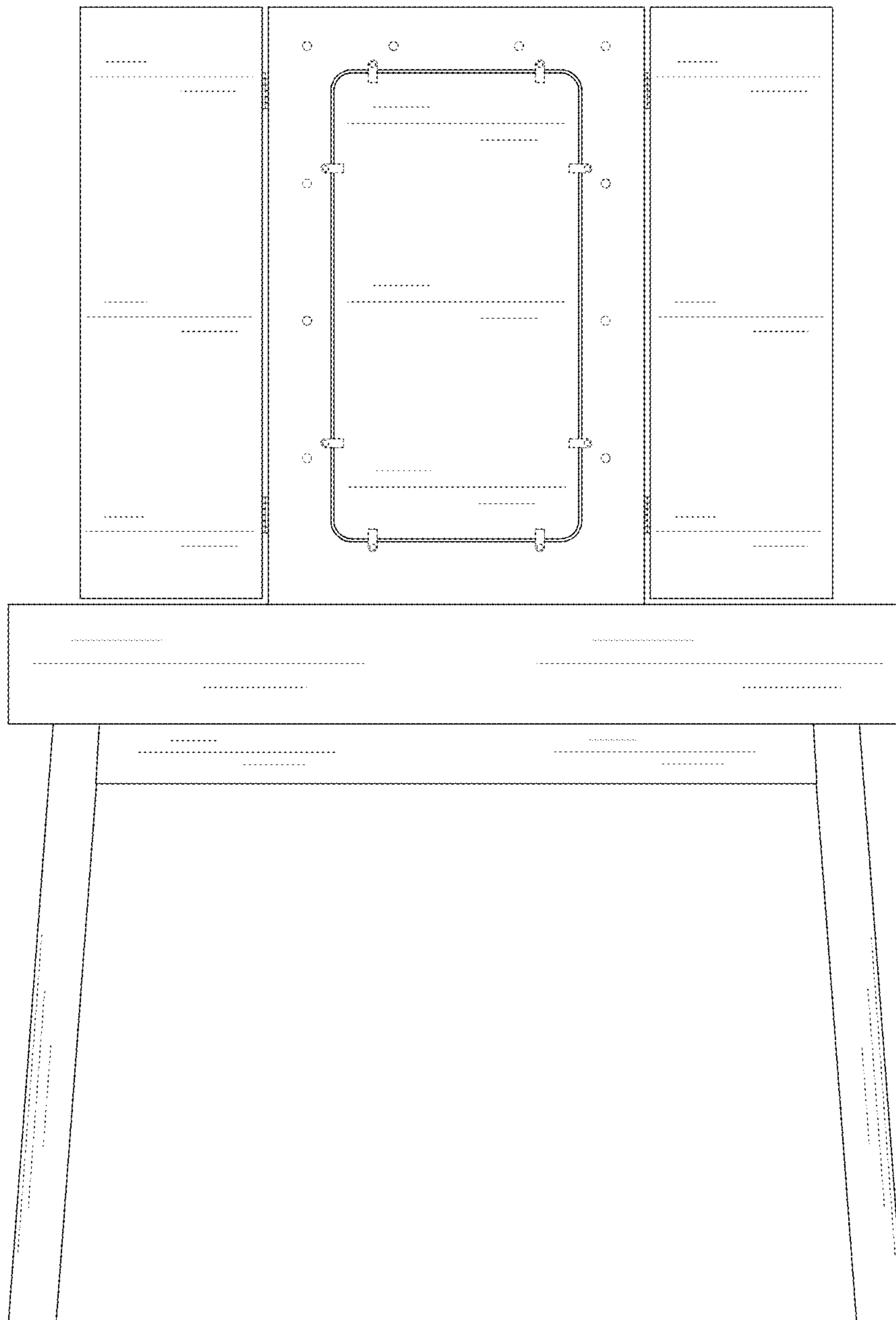


FIG. 2

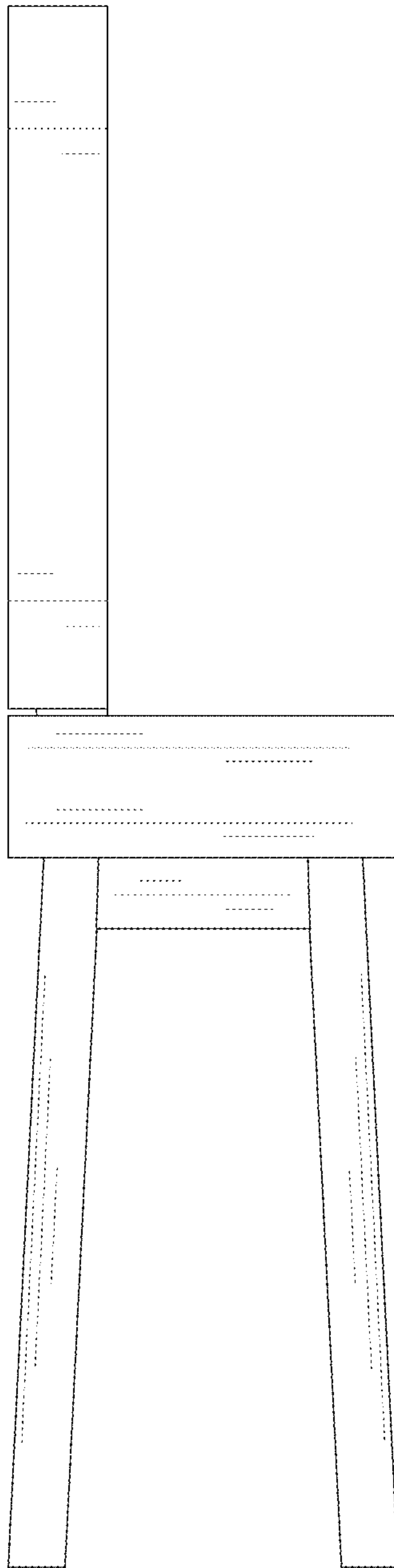


FIG. 3

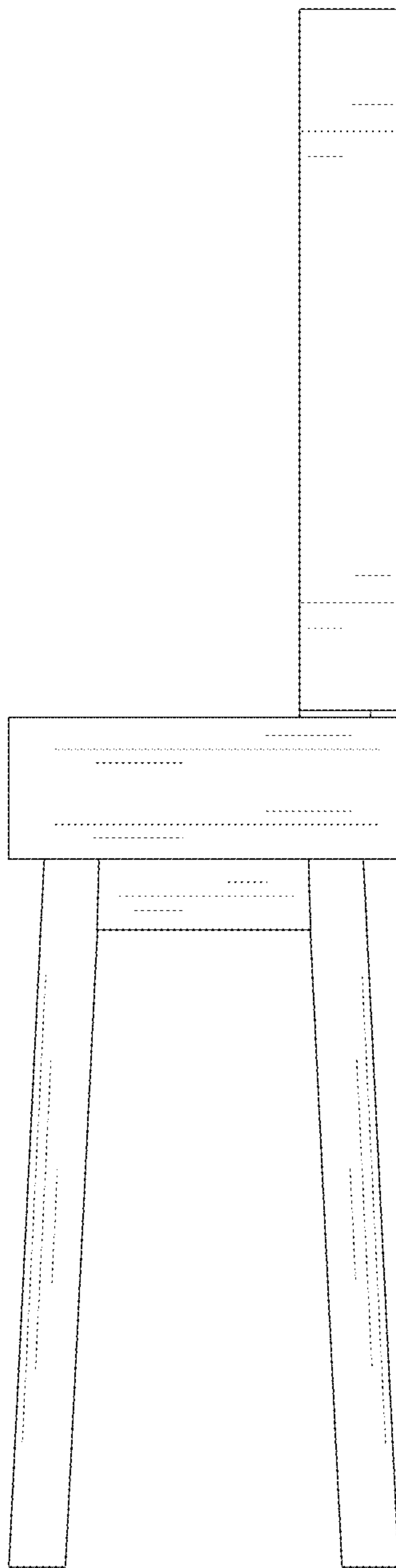


FIG. 4

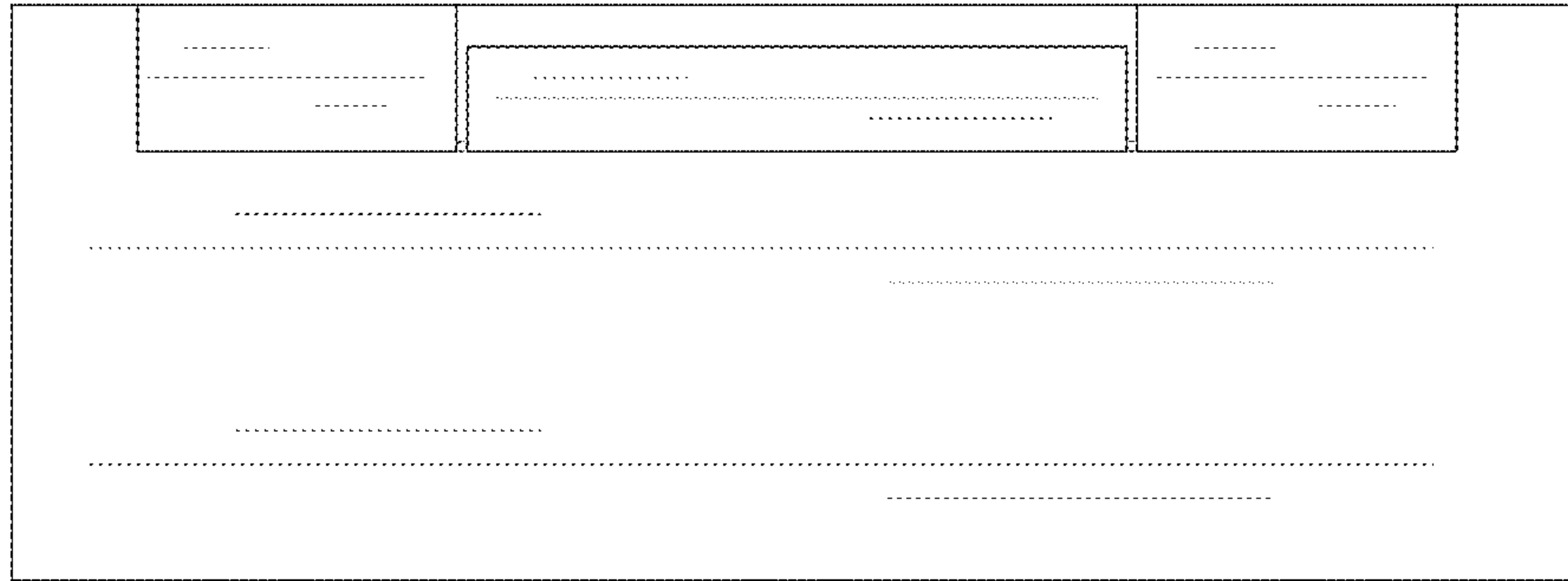


FIG. 5

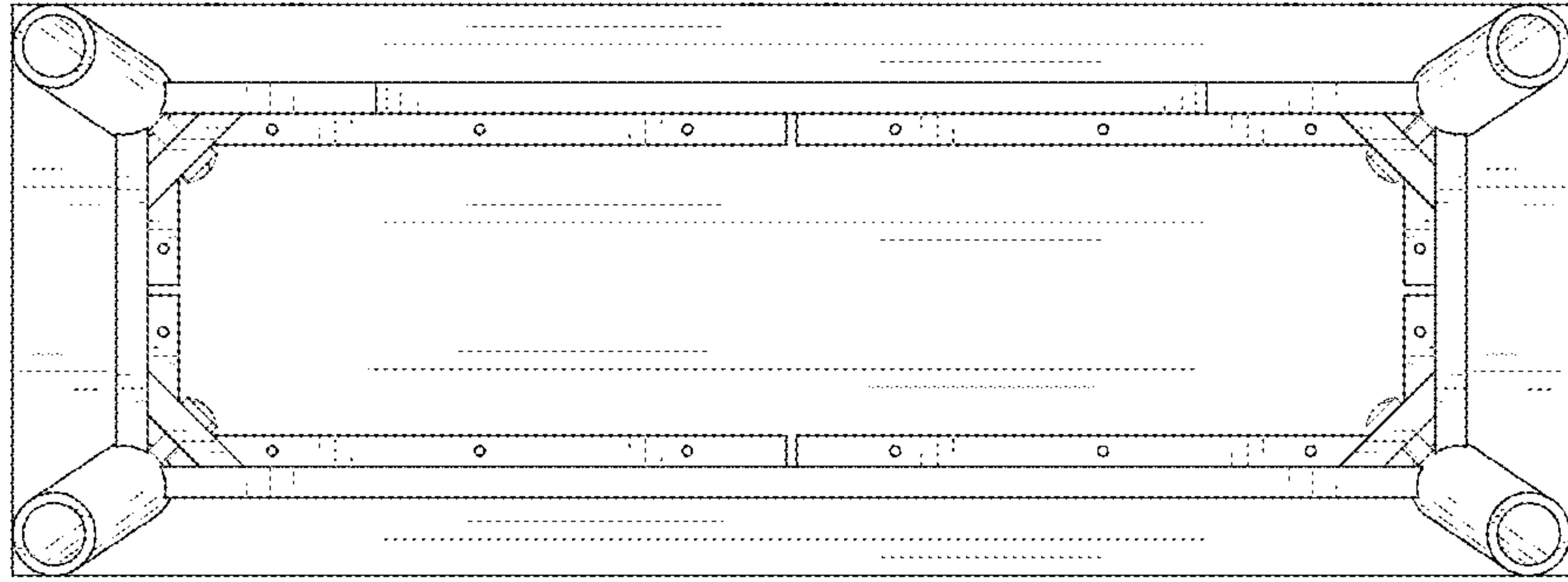


FIG. 6

FIG.11

FIG.12

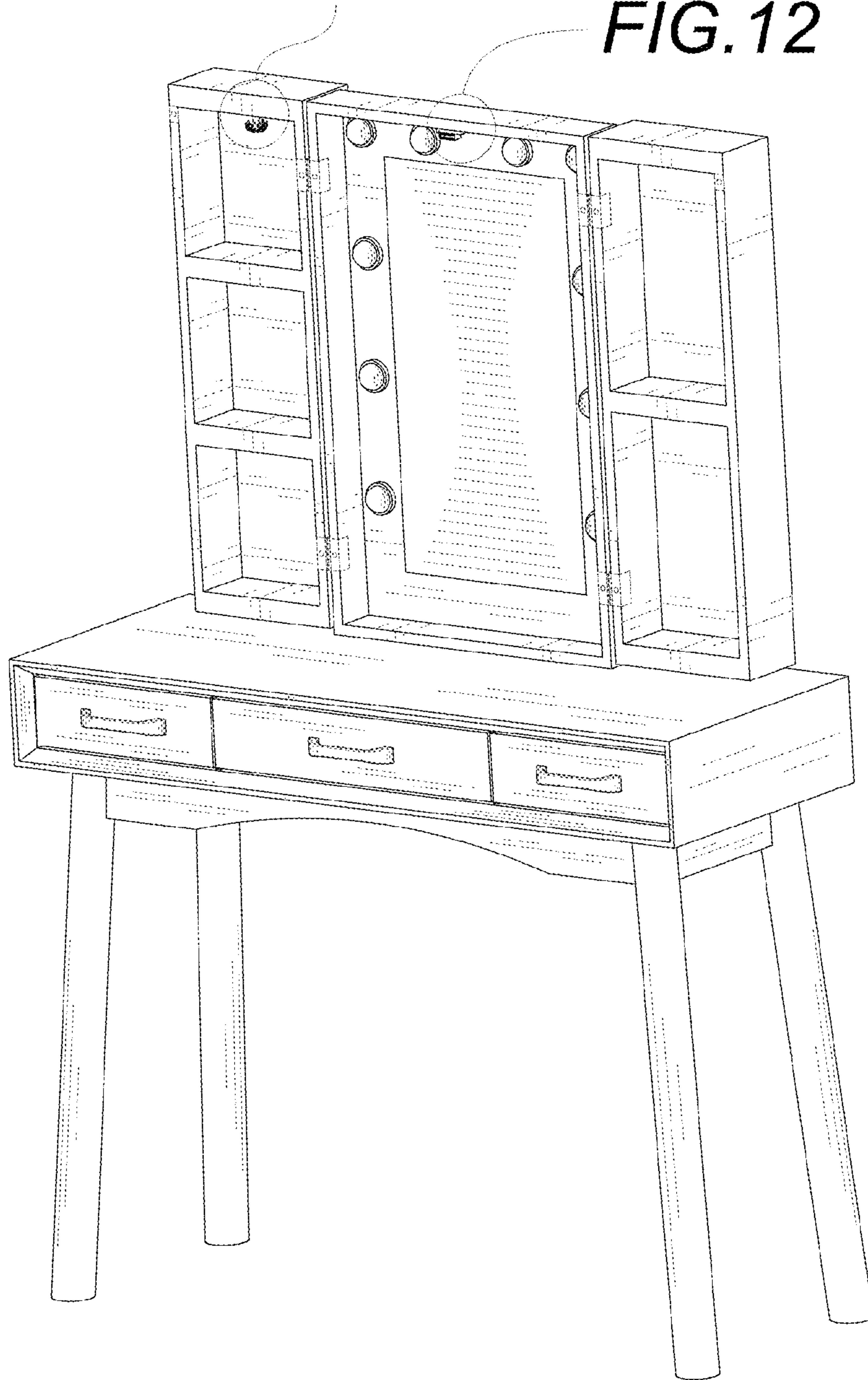


FIG.7

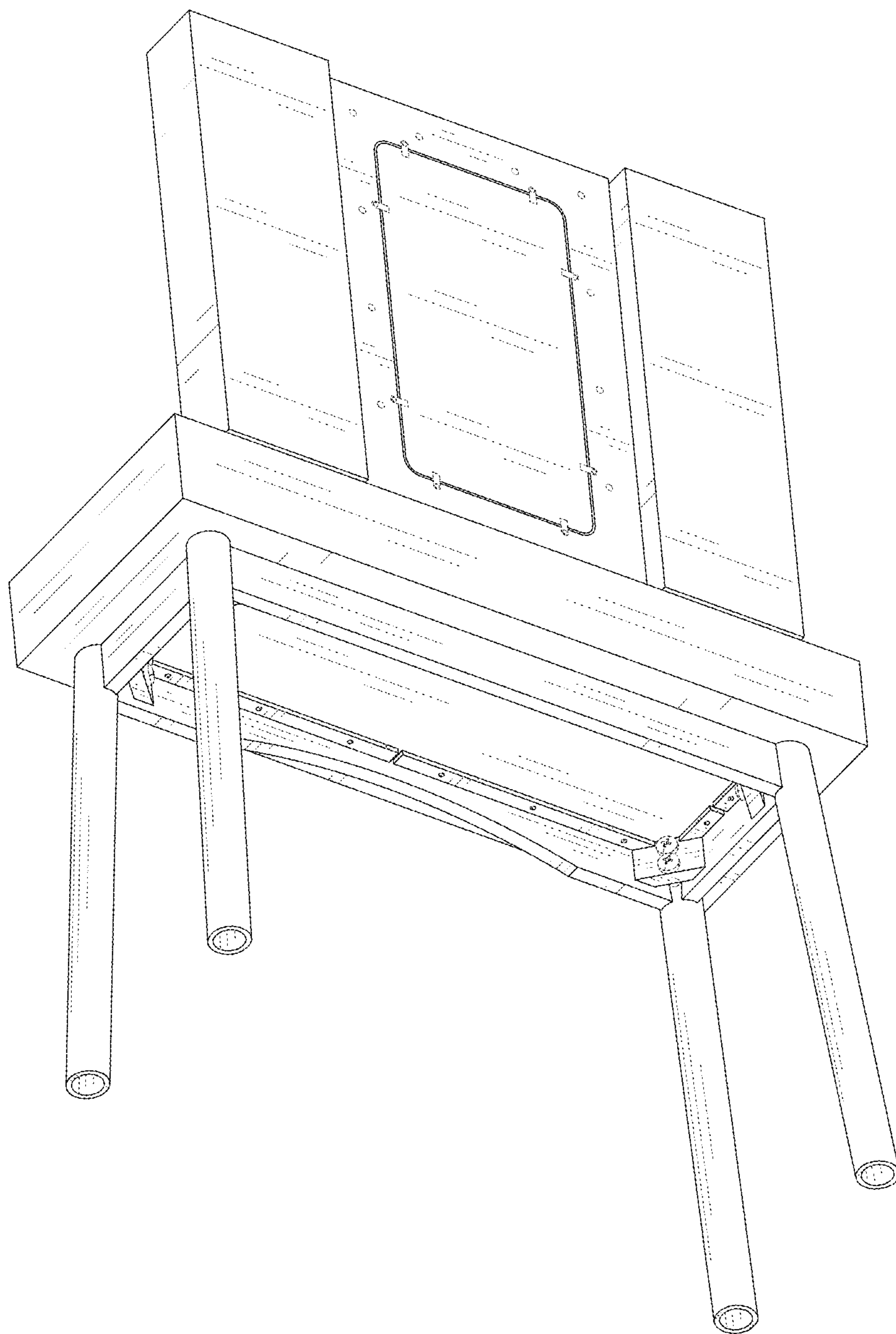


FIG. 8

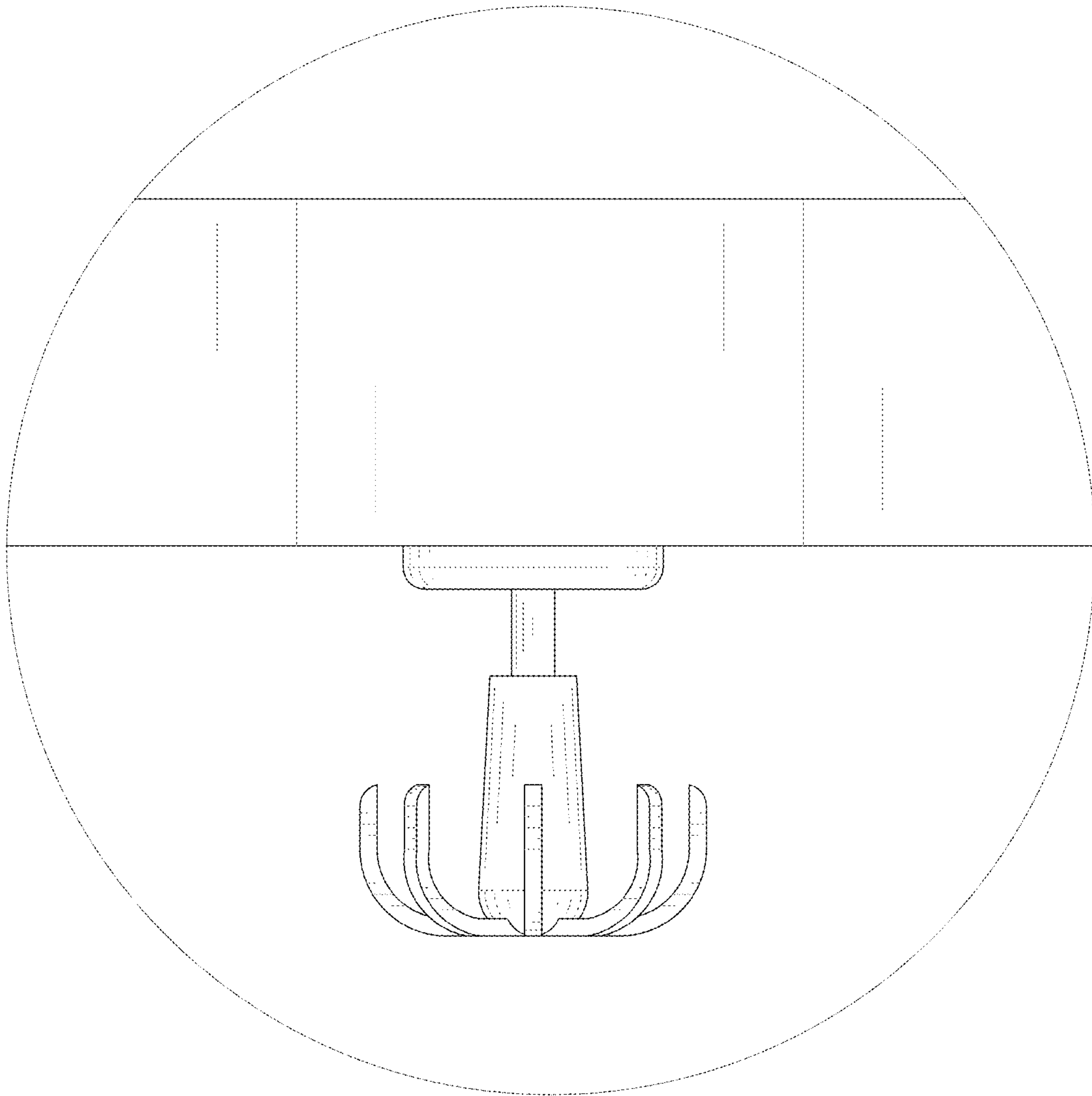


FIG. 9

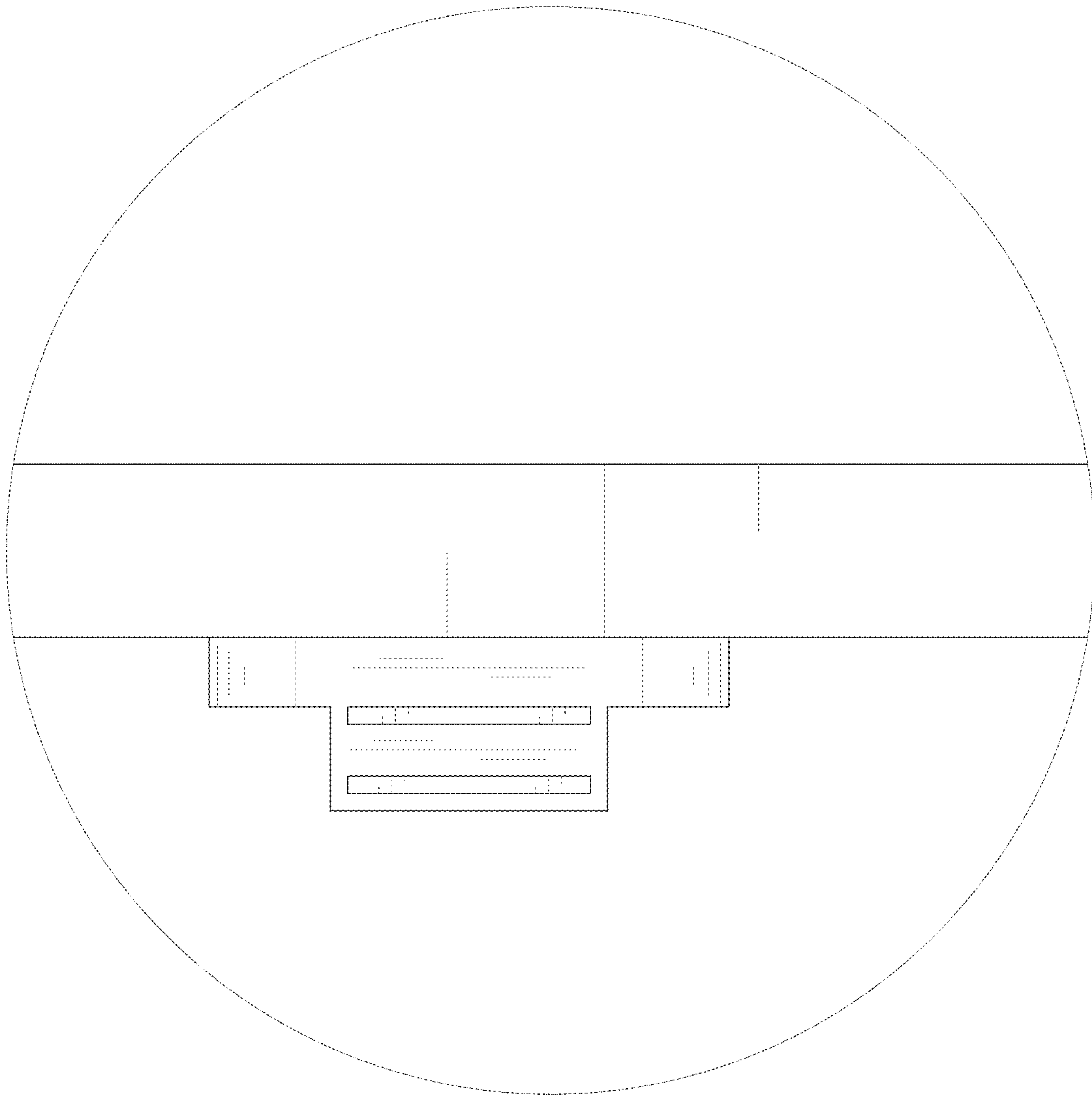


FIG. 10

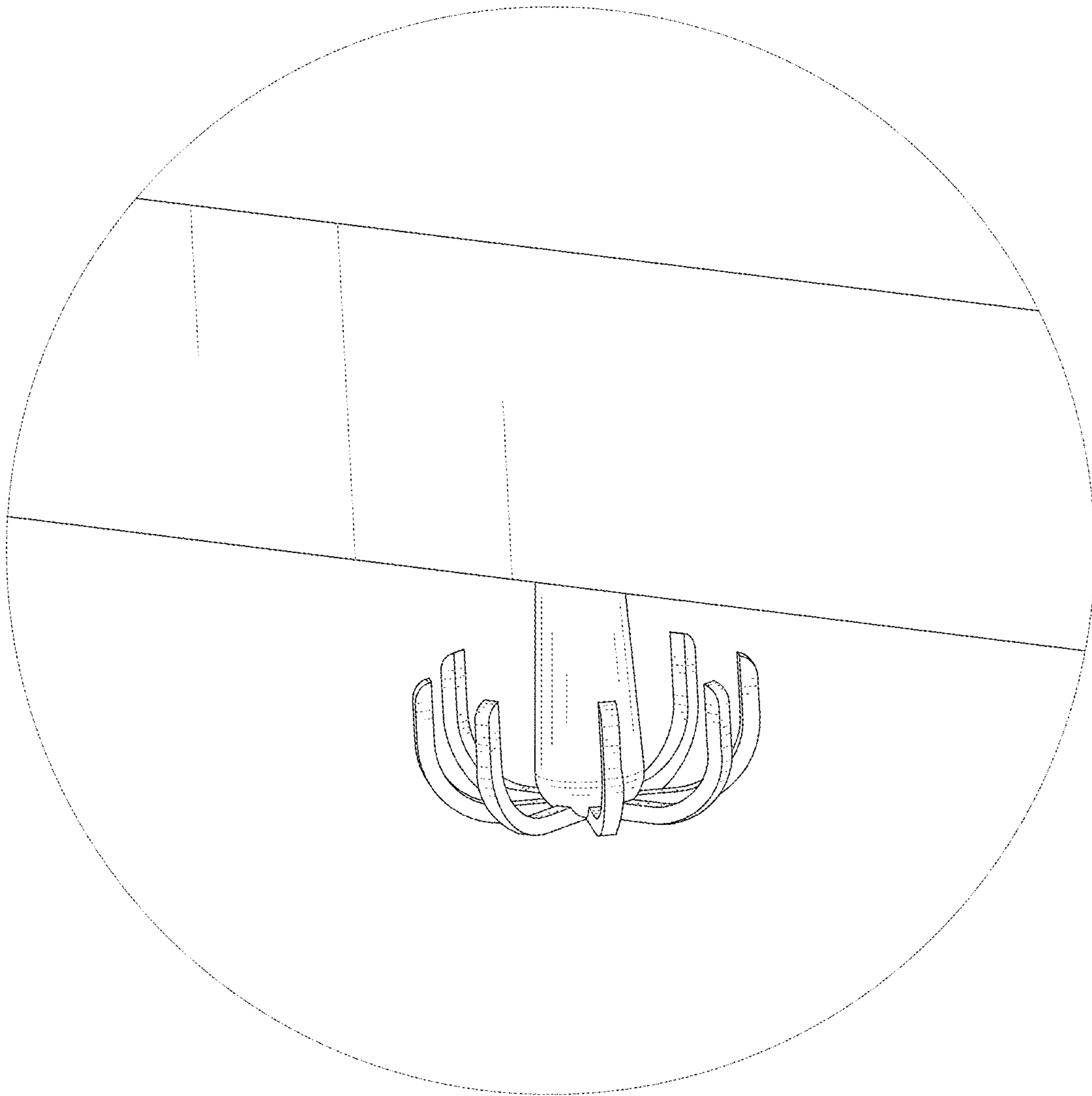


FIG. 11

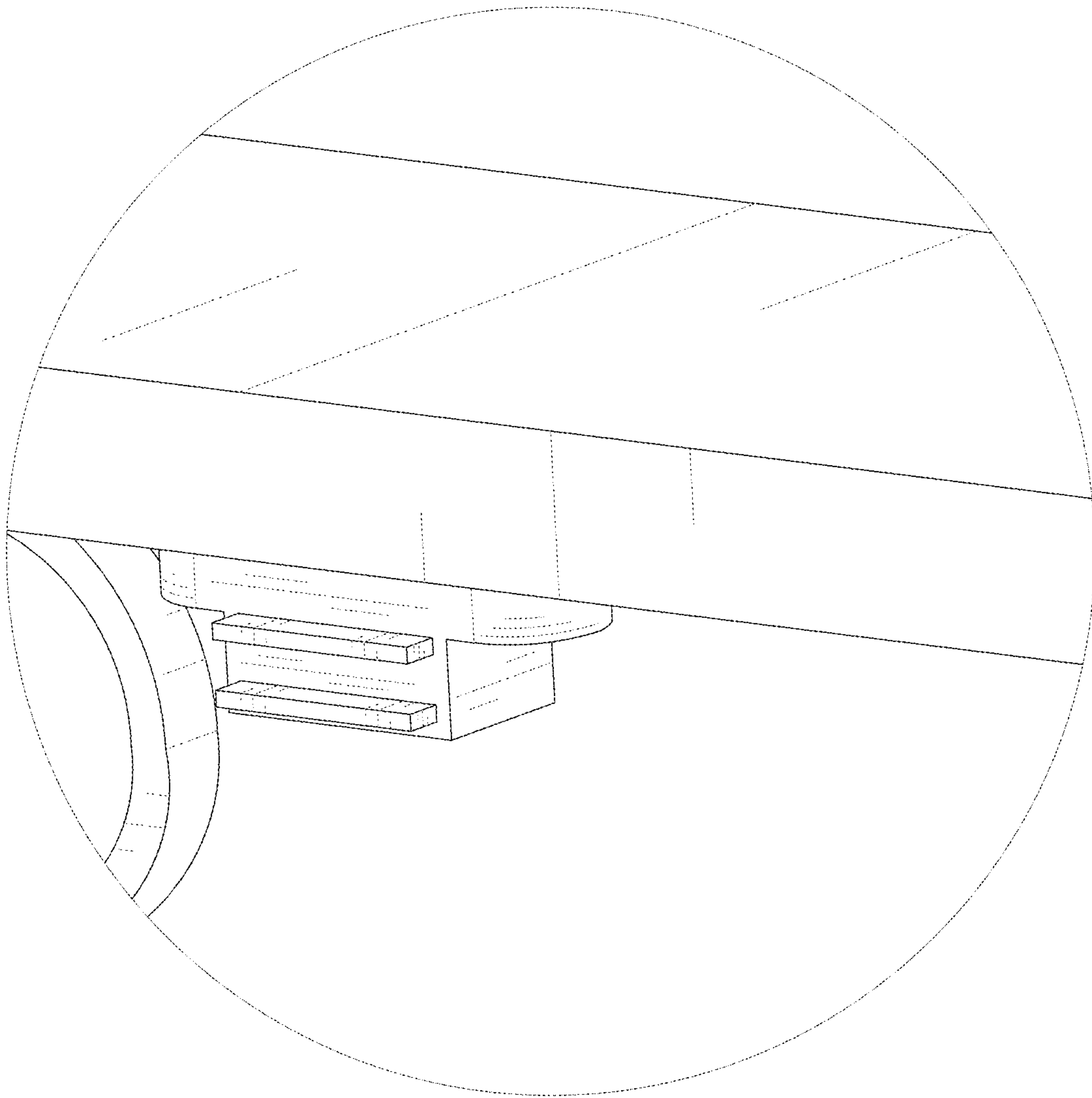


FIG. 12