

US00D967653S

(12) **United States Design Patent** (10) **Patent No.:** **US D967,653 S**
Gao (45) **Date of Patent:** **** Oct. 25, 2022**

(54) **E-SHAPED PREGNANCY PILLOW**
(71) Applicant: **HONG KONG XIAOMAIJIA TRADING CO., LIMITED**, Hong Kong (CN)
(72) Inventor: **Jinyong Gao**, Guangdong (CN)
(73) Assignee: **HONG KONG XIAOMAIJIA TRADING CO., LIMITED**, Hong Kong (CN)
(**) Term: **15 Years**
(21) Appl. No.: **29/805,667**
(22) Filed: **Aug. 27, 2021**
(51) **LOC (13) Cl.** **06-09**
(52) **U.S. Cl.**
USPC **D6/601**
(58) **Field of Classification Search**
USPC D6/595, 596, 597, 600, 601, 603, 604, D6/605, 606, 608; D24/183, 185, 234; D21/803, 804, 805, 809
CPC A47G 2009/1018; A47G 2009/003; A47G 9/0253; A47G 9/10; A47G 9/1027; A47G 9/1036; A47G 9/1054; A47G 9/1063; A47G 9/1072; A47G 9/1081; A47G 9/109; A45F 4/06; A47C 21/06; A47C 7/18; A47C 20/00; A47C 17/80; A47C 17/82; A47C 17/64; A47C 27/00; A47C 27/14; A47C 23/00
See application file for complete search history.

(56) **References Cited**
U.S. PATENT DOCUMENTS
D204,443 S * 4/1966 Wood 5/636
3,382,511 A * 5/1968 Brooks A47C 7/18
601/24
D212,085 S * 8/1968 Fulkerson D6/601
D216,525 S * 2/1970 Meinwiser D6/604

D218,888 S * 10/1970 Blank D6/601
D242,388 S * 11/1976 Castleberry 5/636
D242,390 S * 11/1976 Grube D6/601
4,031,578 A * 6/1977 Sweeney B60N 2/882
5/426
D245,137 S * 7/1977 Benn D6/596
5,029,351 A * 7/1991 Weber A47D 13/083
5/655
D326,790 S * 6/1992 Grigg D6/601
D326,976 S * 6/1992 Wickis, Jr. D6/601
(Continued)

FOREIGN PATENT DOCUMENTS

GB 6146916 * 7/2021

OTHER PUBLICATIONS

TELER Pregnancy Pillow, Date First Available: Apr. 2, 2021, [online], [site visited Aug. 26, 2022]. Available from Internet, <URL: <https://www.amazon.com/TELER-Pregnancy-Maternity-Detachable-Extension/dp/B091L8LCNF?th=1>> (Year: 2022).*

(Continued)

Primary Examiner — Sanjeev Paul

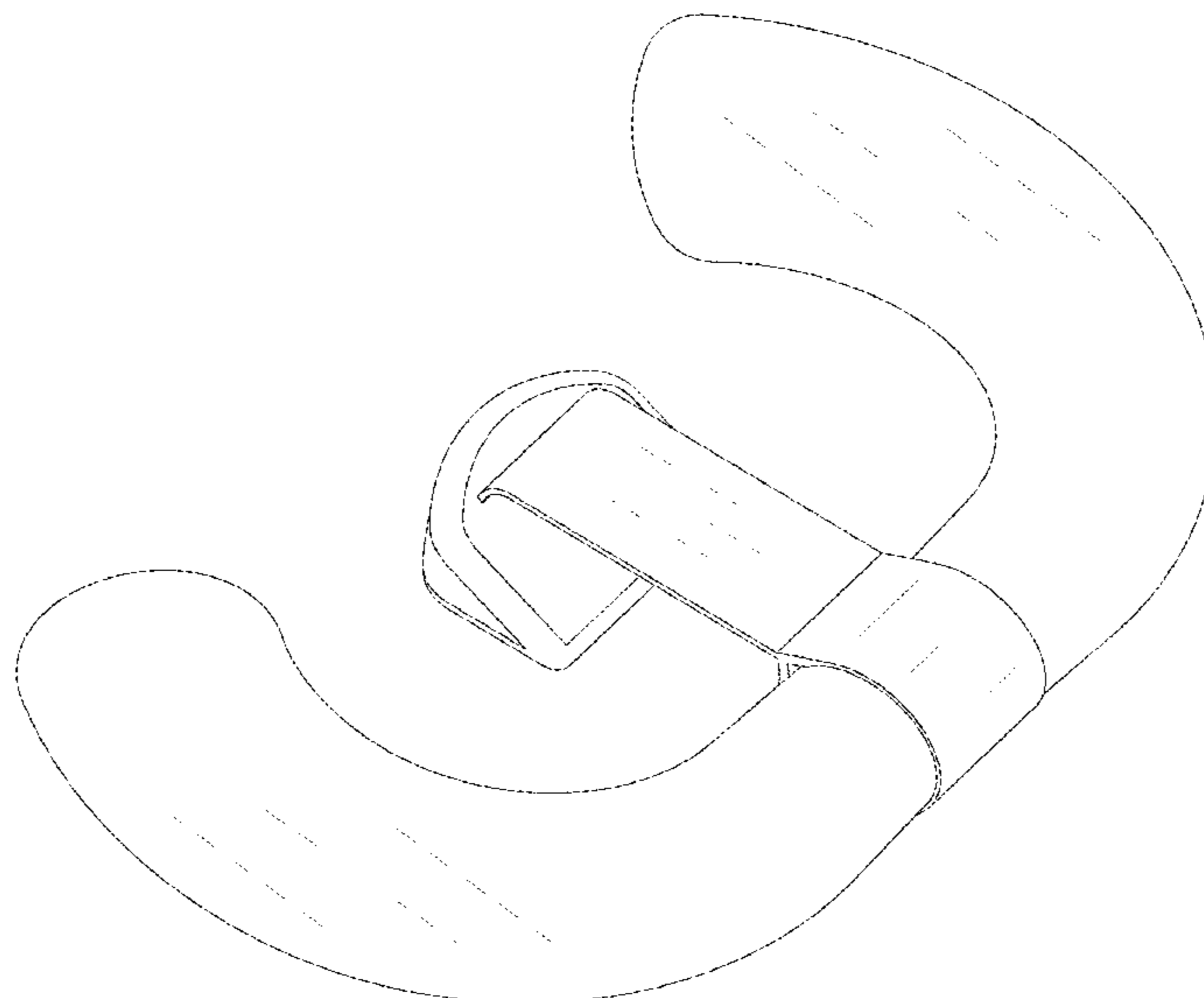
(57) **CLAIM**

The ornamental design for an E-shaped pregnancy pillow, as shown and described.

DESCRIPTION

FIG. 1 is a perspective view of an E-shaped pregnancy pillow showing my new design;
FIG. 2 is an alternative perspective view thereof;
FIG. 3 is a front view thereof;
FIG. 4 is a back view thereof;
FIG. 5 is a left side view thereof;
FIG. 6 is a right side view thereof;
FIG. 7 is a top view thereof; and,
FIG. 8 is a bottom view thereof.

1 Claim, 8 Drawing Sheets



(56)

References Cited

U.S. PATENT DOCUMENTS

5,269,323 A * 12/1993 Krouskop A47C 20/021
5/632
D369,934 S * 5/1996 Straub D6/333
D385,143 S * 10/1997 Straub D6/333
D398,173 S * 9/1998 Velez D6/601
5,987,674 A * 11/1999 Schaffner A47C 20/023
5/652
D453,653 S * 2/2002 Tunnell A47C 20/027
D6/601
6,751,817 B1 * 6/2004 Leach A47D 13/083
5/652
9,138,084 B1 * 9/2015 Namolovan A47G 9/007
D761,595 S 7/2016 Pulver
D768,409 S * 10/2016 Park D6/601
D864,611 S * 10/2019 Gao D6/601
D868,490 S * 12/2019 Lauter D6/356
D871,109 S * 12/2019 Haw D6/601
D871,796 S * 1/2020 Mi D6/601
D906,013 S * 12/2020 Chunyu D6/601
D914,398 S * 3/2021 Gao D6/601
D920,006 S * 5/2021 Yan D6/601
D923,971 S * 7/2021 Qiu D6/601
D944,564 S * 3/2022 Qiu D6/601
D946,310 S * 3/2022 Xu D6/601
2005/0066443 A1 * 3/2005 Rivera-Wienhold
A47D 13/08
5/655

2005/0125901 A1 * 6/2005 Nichols A47G 9/10
5/636
2008/0148487 A1 * 6/2008 Lord A47C 20/021
5/632
2008/0155753 A1 * 7/2008 Cretsinger A47G 9/10
5/640
2016/0000607 A1 * 1/2016 Bamberg A47G 9/1045
2/15
2018/0168356 A1 * 6/2018 Porowski A47G 9/1081

OTHER PUBLICATIONS

Google Term Search: 'Pregnancy Pillow', [site visited Aug. 26, 2022] <URL: https://www.google.com/search?q=pregnancy+pillow&sxsrf=ALiCzsZsj9rowsXdp1VT-wXwXrfAqwWg8A:1661647034815&source=lnms&tbm=isch&sa=X&ved=2ahUKEwif7IHKpej5AhWJGIkFHYKLCFcQ_AUoAnoECAEQBA&biw=1920&bih=880&dpr=1> (Year: 2022).*

Google Term Search: 'Body Pillow', [site visited Aug. 26, 2022] <URL: https://www.google.com/search?q=body+pillow&sxsrf=ALiCzsZnjeqBhsvq4uS8kPMLLpyEnsiFiA:1661647017657&source=lnms&tbm=isch&sa=X&ved=2ahUKEwjX1OrBpej5AhUnM1kFHSLFBdsQ_AUoAnoECAEQBA&biw=1920&bih=880&dpr=1> (Year: 2022).*

* cited by examiner

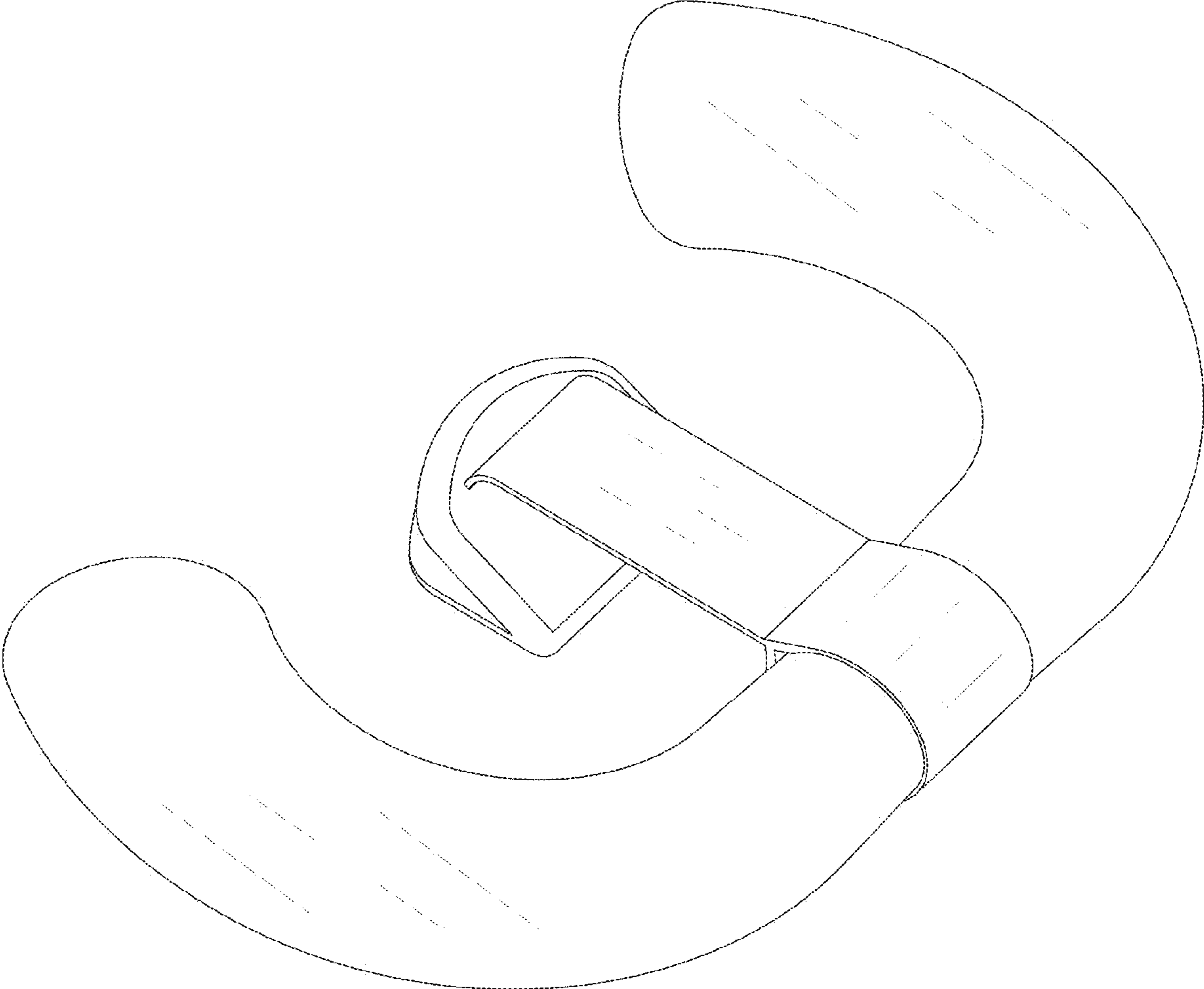


FIG. 1

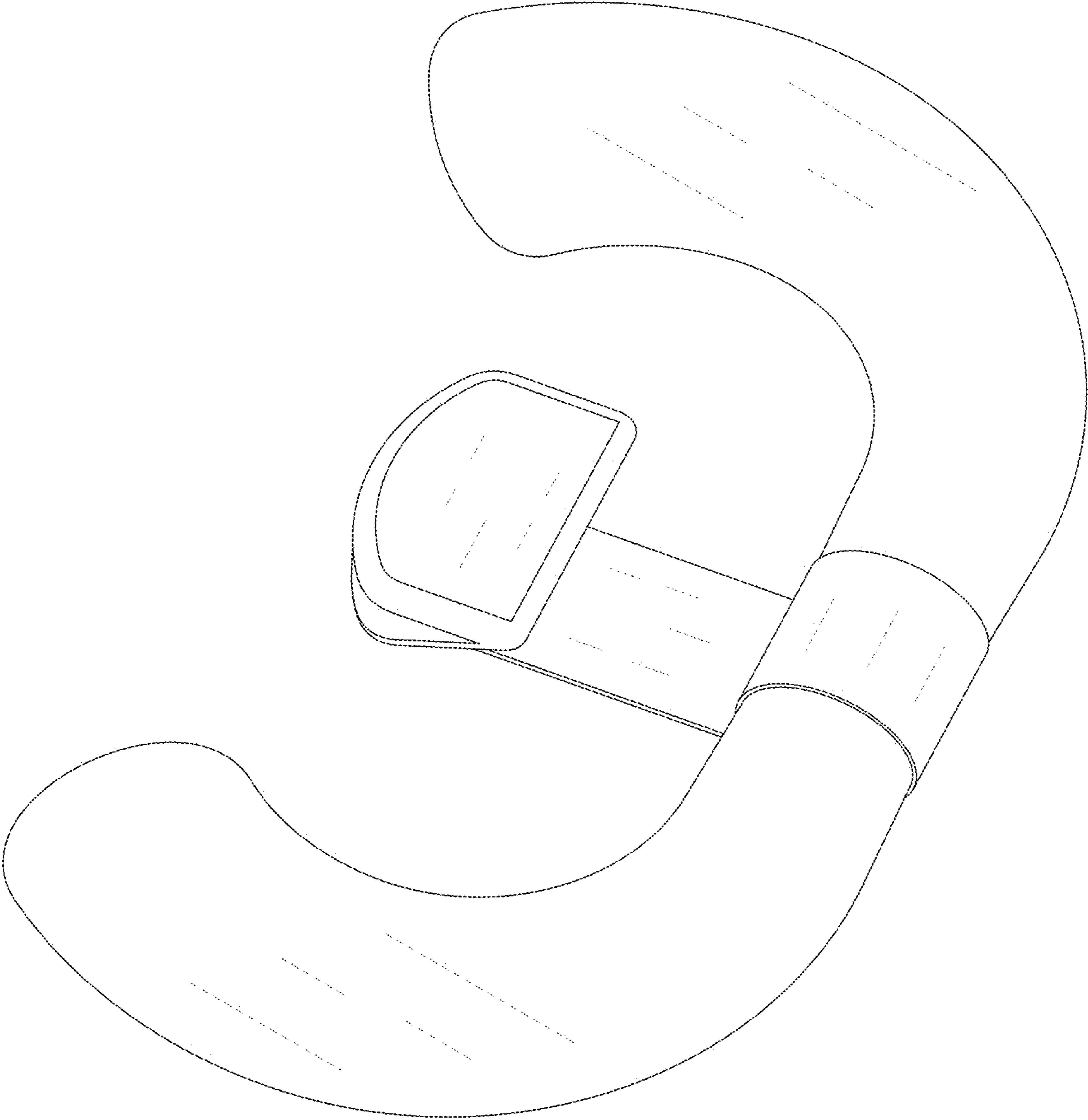


FIG. 2

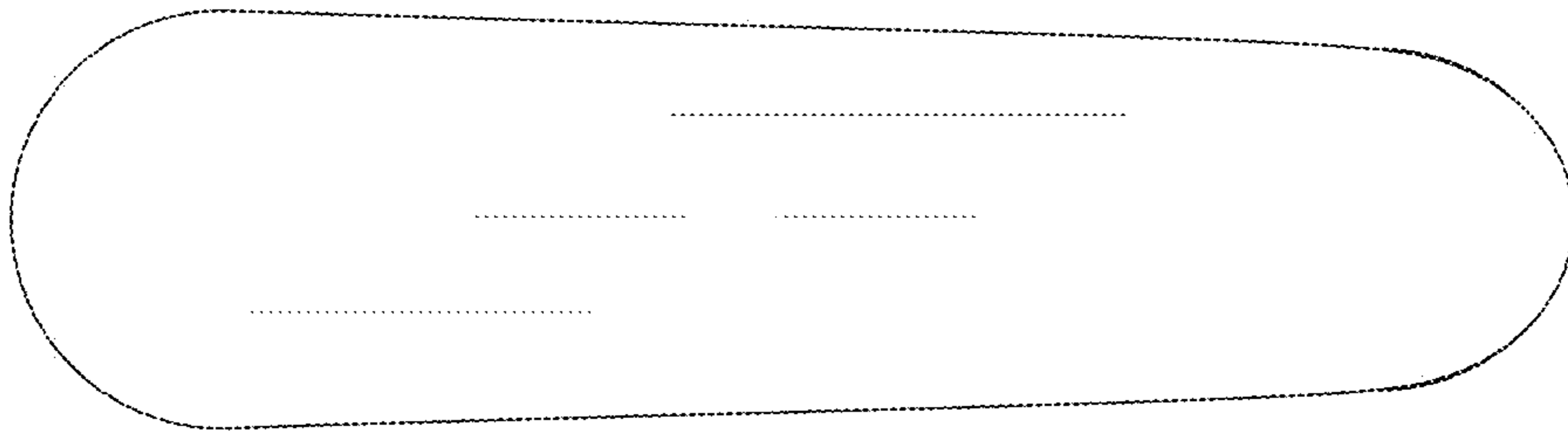


FIG. 3

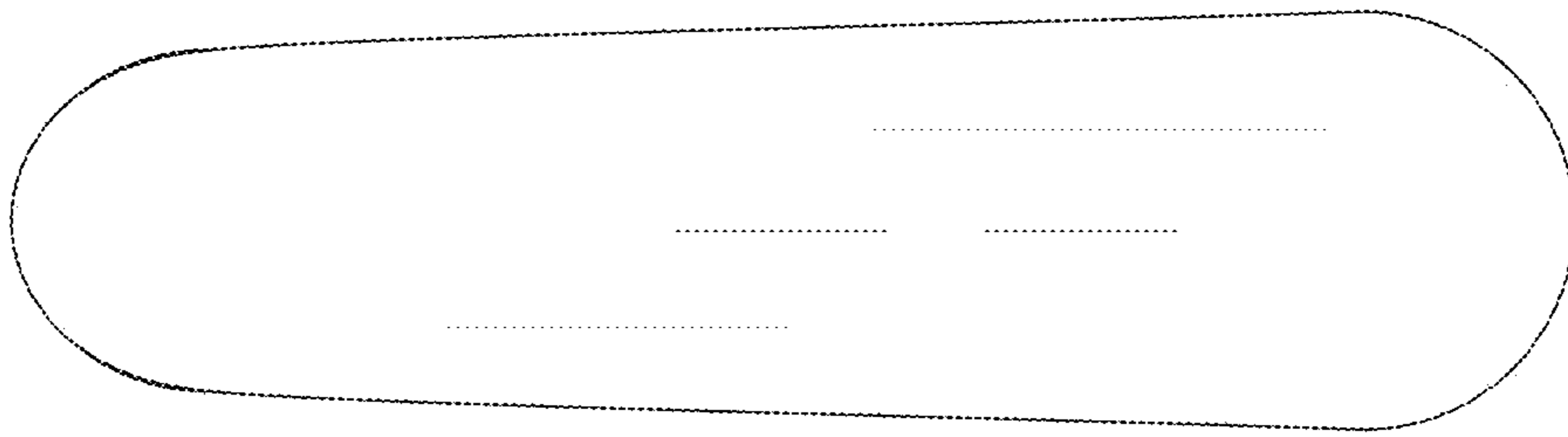


FIG. 4

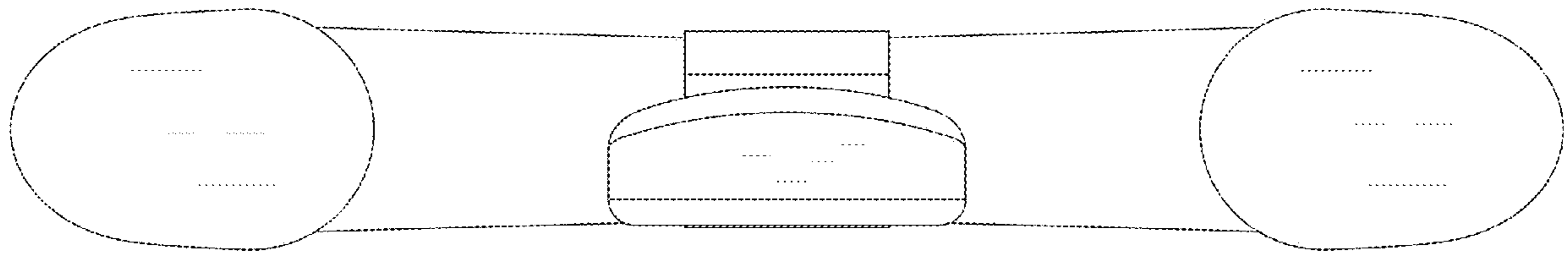


FIG. 5

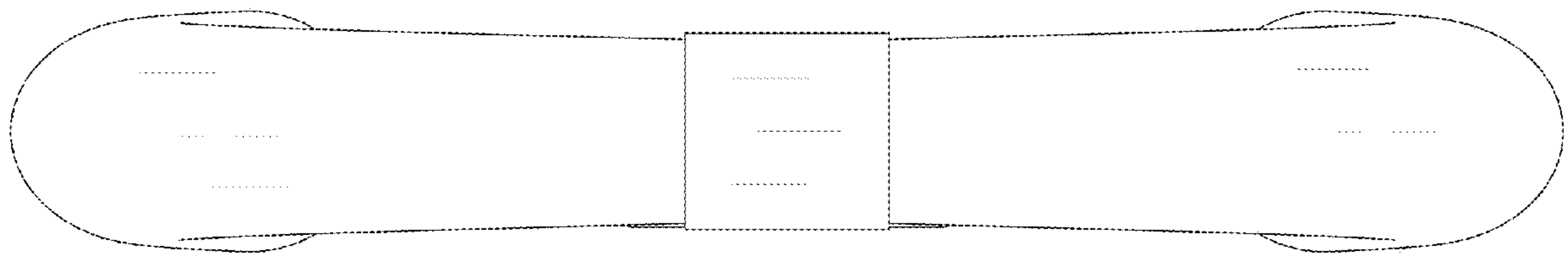


FIG. 6

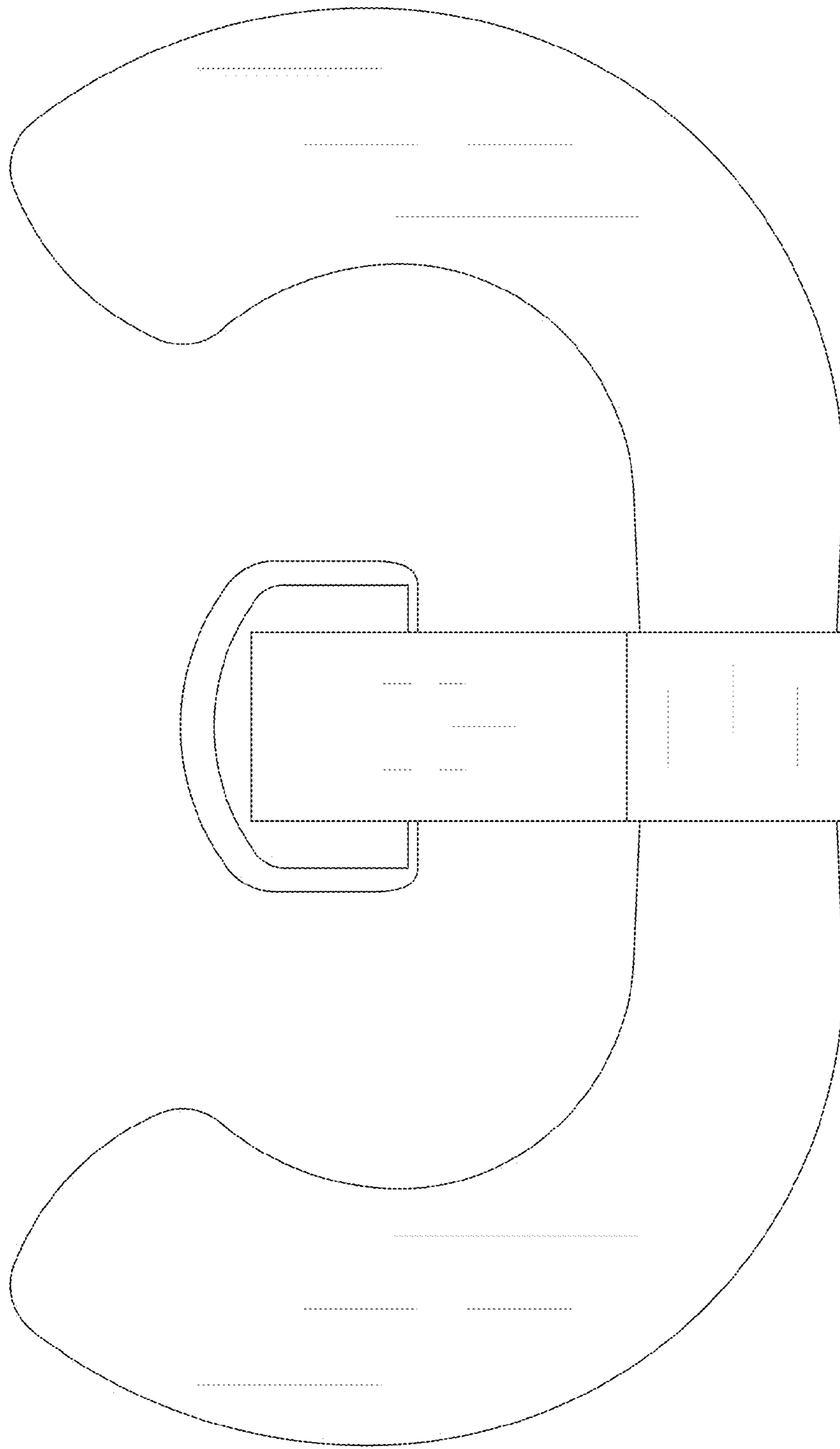


FIG. 7

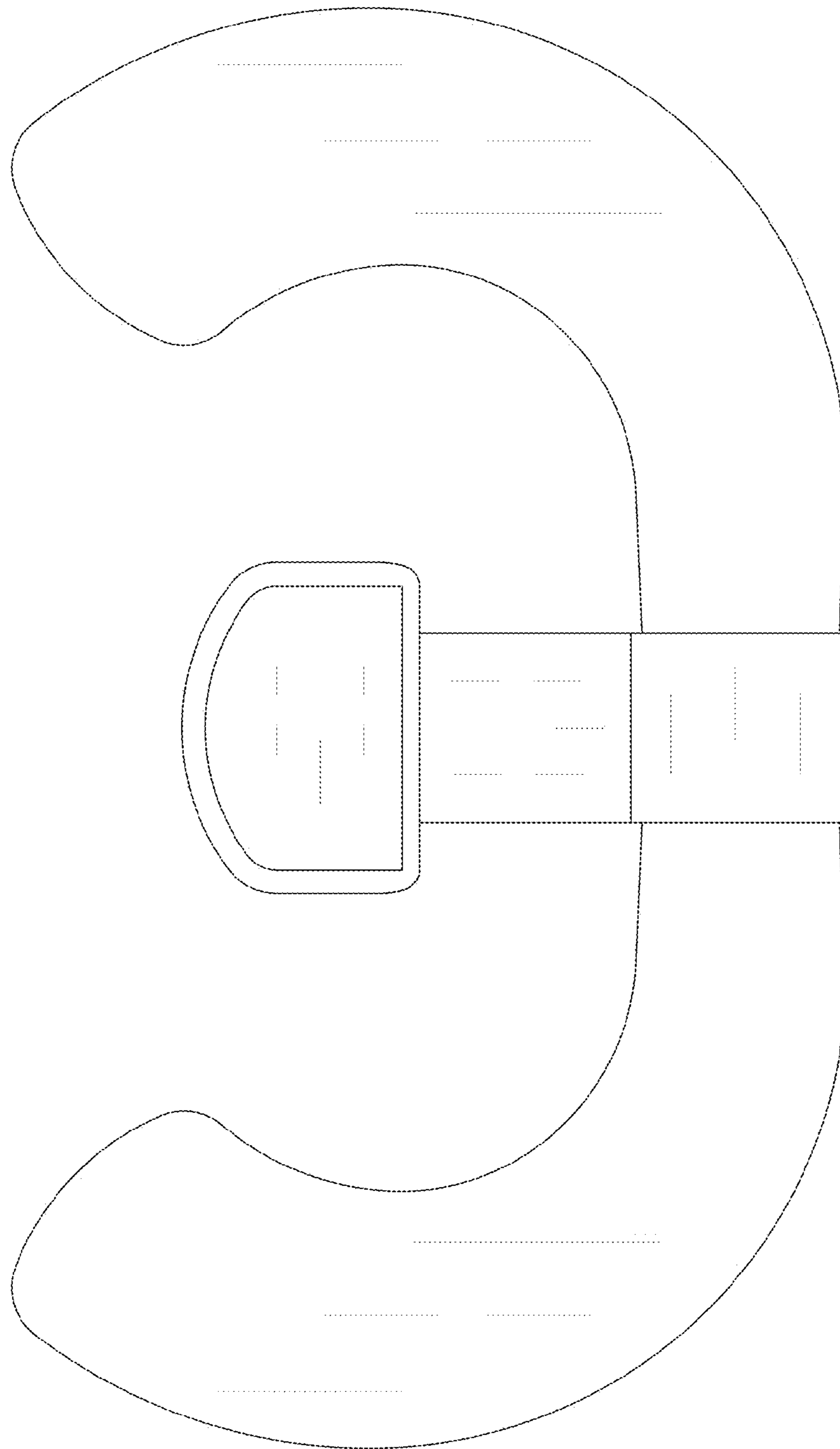


FIG. 8