



US00D967652S

(12) **United States Design Patent**  
**Zhang**

(10) **Patent No.:** **US D967,652 S**

(45) **Date of Patent:** **\*\* Oct. 25, 2022**

(54) **SHELF**

(71) Applicant: **FOSHAN MOMA BROTHERS APPLIANCES CO., LTD**, Foshan (CN)

(72) Inventor: **Lei Zhang**, Foshan (CN)

(\*\*) Term: **15 Years**

(21) Appl. No.: **29/832,043**

(22) Filed: **Mar. 24, 2022**

(51) **LOC (13) Cl.** ..... **06-04**

(52) **U.S. Cl.**  
USPC ..... **D6/574**

(58) **Field of Classification Search**  
USPC ..... D6/672, 675, 675.1, 675.2, 675.3, 683, D6/512, 513, 514, 524, 525, 527, 567, D6/570, 573, 574, 563, 564, 553, 304, D6/566, 675.5, 677.1, 675.4; D7/600.1, D7/600.4; D3/201, 304, 306, 310, 313, D3/318; D8/380, 381; 221/126.2, 126.9, 221/188, 151; 211/12, 13.1, 85.3, 85.9, 211/30, 32, 85.31, 86.01, 87.01, 88.04, 211/90.03, 94.02, 106, 106.1  
CPC ... A47K 5/03; A47K 5/04; A47K 5/02; A47K 5/00; A47K 5/18; A47F 5/00; A47F 5/0081; A47B 96/02; A47B 96/021; A47B 96/027; A47B 96/028  
See application file for complete search history.

(56) **References Cited**

**U.S. PATENT DOCUMENTS**

D193,243 S \* 7/1962 Chapman ..... D6/574  
3,437,214 A \* 4/1969 Sainsbury ..... A47B 96/067  
211/90.04  
D242,313 S \* 11/1976 Stentz ..... D6/574  
D248,702 S \* 8/1978 Baldini ..... D6/574  
D280,583 S \* 9/1985 Evenson ..... D6/574  
D303,745 S \* 10/1989 Lowe ..... D6/553

D305,190 S \* 12/1989 Winter ..... D6/567  
D510,220 S \* 10/2005 Sandy ..... D6/705  
D594,230 S \* 6/2009 Barkdoll ..... 211/85

(Continued)

**FOREIGN PATENT DOCUMENTS**

GB 9002482430-0002 \* 6/2014  
GB 6007620 \* 2/2017

**OTHER PUBLICATIONS**

Floating Metal Wall Shelves. West Elm (online) 5 pgs. No date available. [Retrieved Aug. 24, 2022] <https://www.westelm.com/products/floating-metal-shelves-h7123/> (Year: NA).\*

(Continued)

*Primary Examiner* — Marie D. Fast Horse  
*Assistant Examiner* — Jennifer Sierra Yosinski

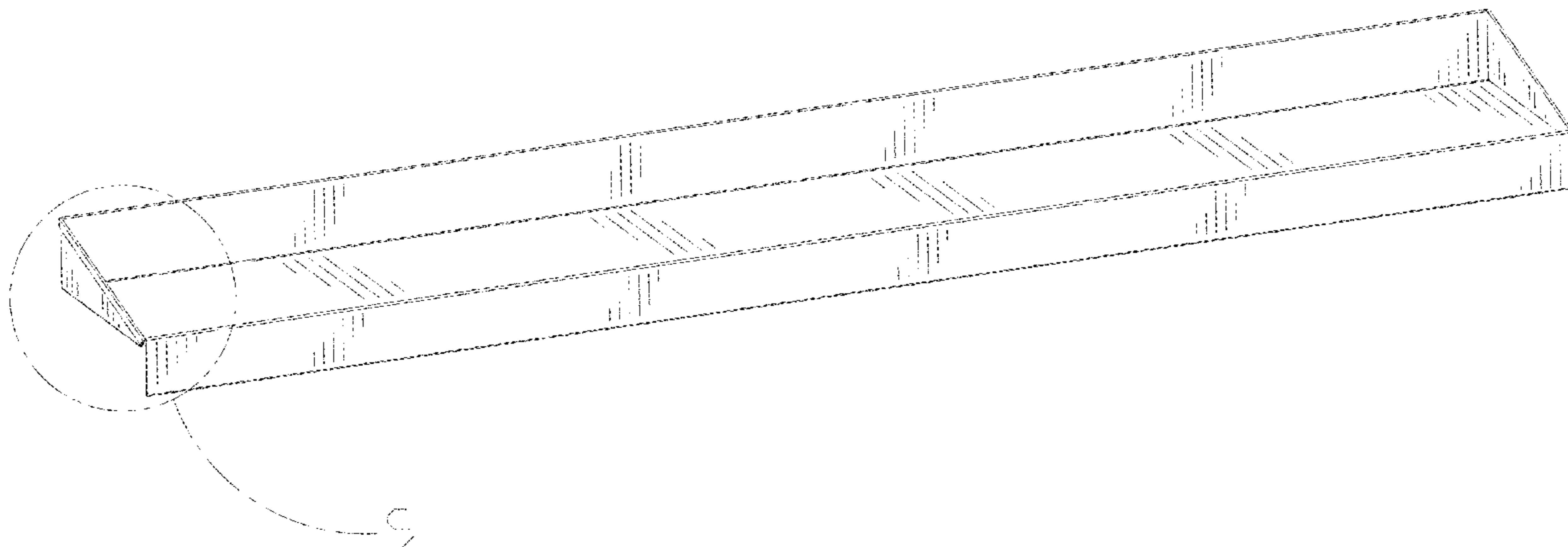
(57) **CLAIM**

The ornamental design for shelf, as shown and described.

**DESCRIPTION**

FIG. 1 is a front perspective view of shelf, showing my new design;  
FIG. 2 is a rear isometric view thereof;  
FIG. 3 is a front view thereof;  
FIG. 4 is a rear view thereof;  
FIG. 5 is a left side view thereof;  
FIG. 6 is a right side view thereof;  
FIG. 7 is a top view thereof;  
FIG. 8 is a bottom view thereof;  
FIG. 9 is a partial enlarged view of the portion labeled "9" in FIG. 1;  
FIG. 10 is an enlarged view of FIG. 5; and,  
FIG. 11 is an enlarged view of FIG. 6.  
The broken lines consisting of a long dash and a short dash depict reference to the enlargements shown in the figures and form no part of the claim.

**1 Claim, 11 Drawing Sheets**



(56)

**References Cited**

U.S. PATENT DOCUMENTS

D750,909 S \* 3/2016 Hickman ..... D6/310  
D878,804 S \* 3/2020 Khardori ..... D6/574  
D916,521 S \* 4/2021 Cao ..... D6/574  
D933,403 S 10/2021 Fukasawa  
2014/0061415 A1\* 3/2014 Hermey ..... H02G 3/263  
248/316.1

OTHER PUBLICATIONS

Surface Mounted Shelf. Global Industrial (online) 3 pgs. Available  
Dec. 12, 2019. [Retrieved Aug. 28, 2022] <https://www.globalindustrial.com/p/roval-surface-mounted-shelf-6-x-18?review=true> (Year: 2019).\*

\* cited by examiner

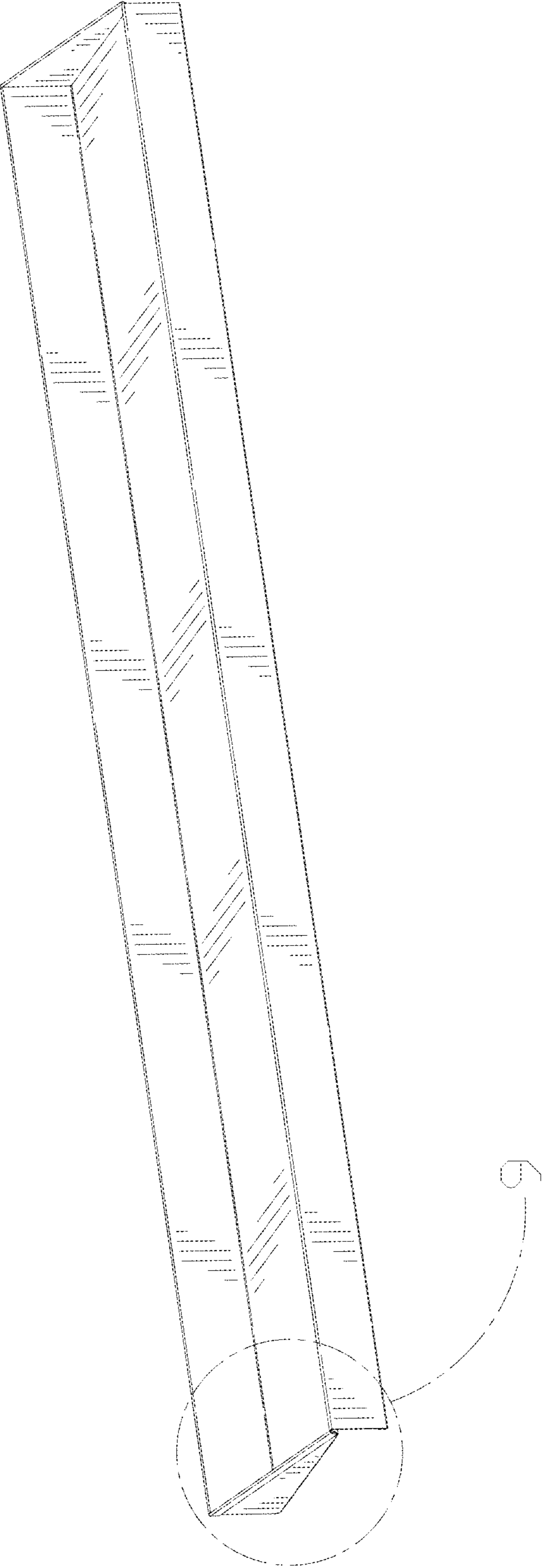


FIG. 1

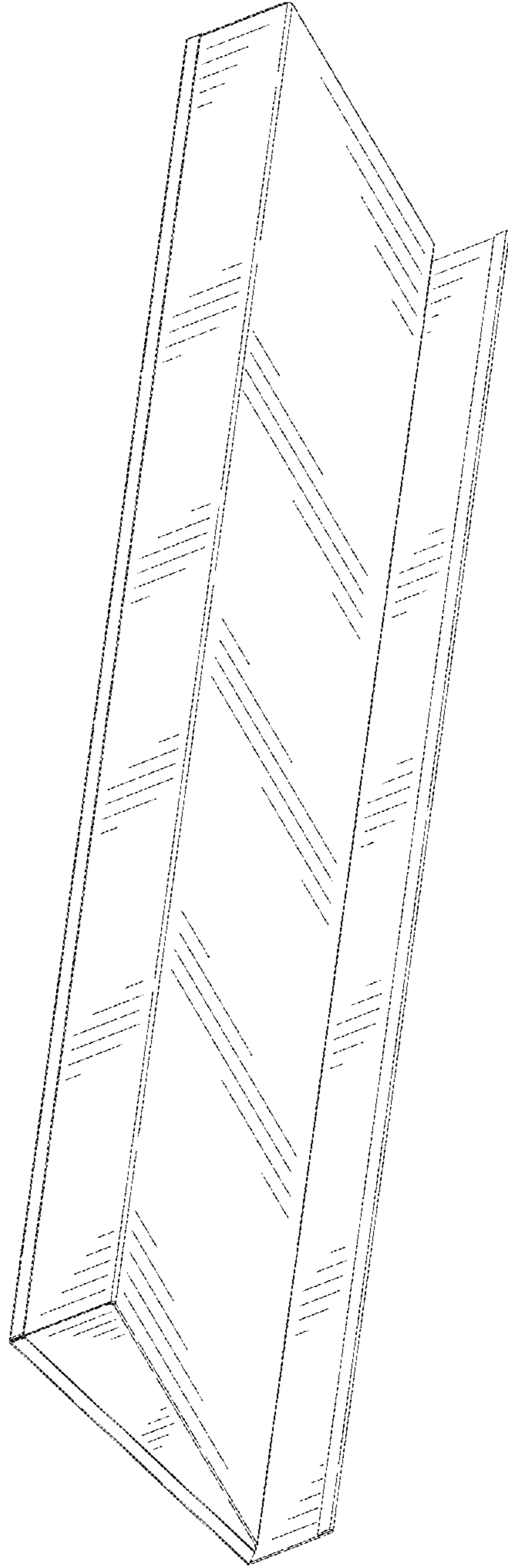


FIG. 2

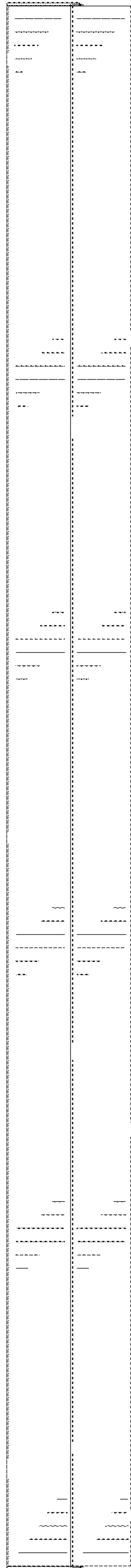


FIG. 3

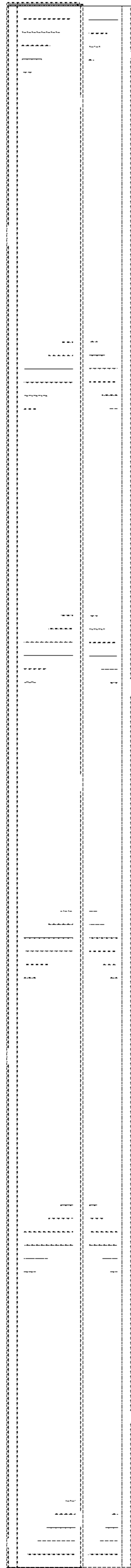


FIG. 4

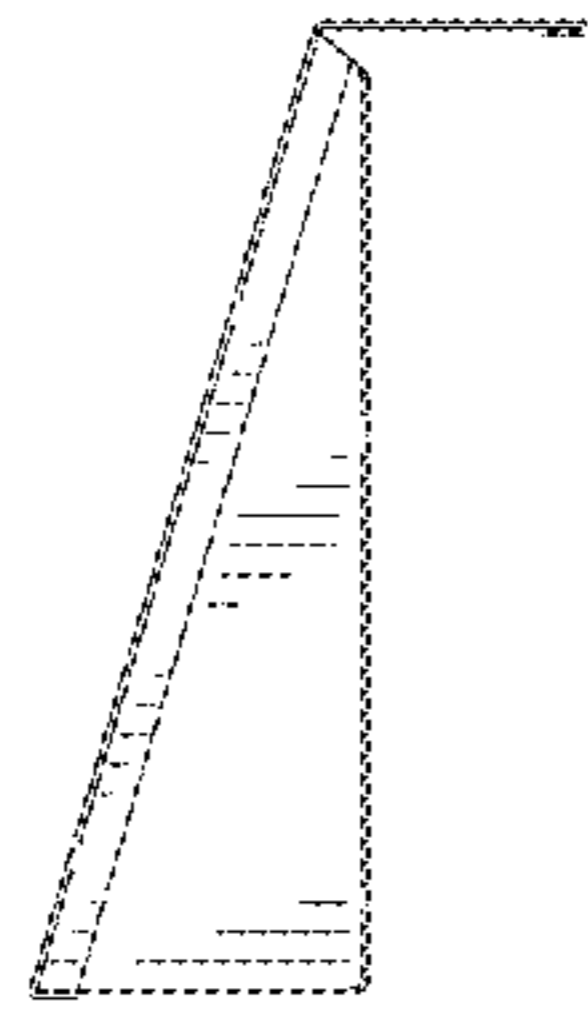


FIG. 5

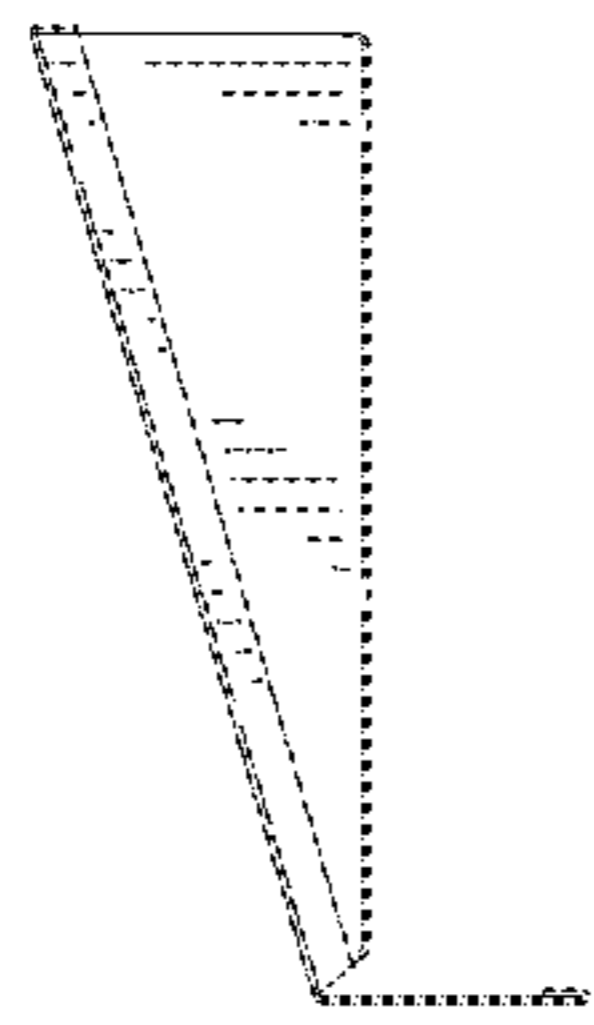


FIG. 6



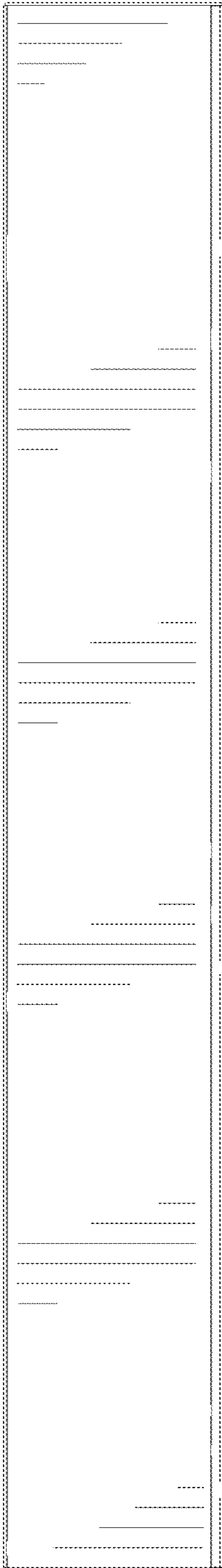


FIG. 7

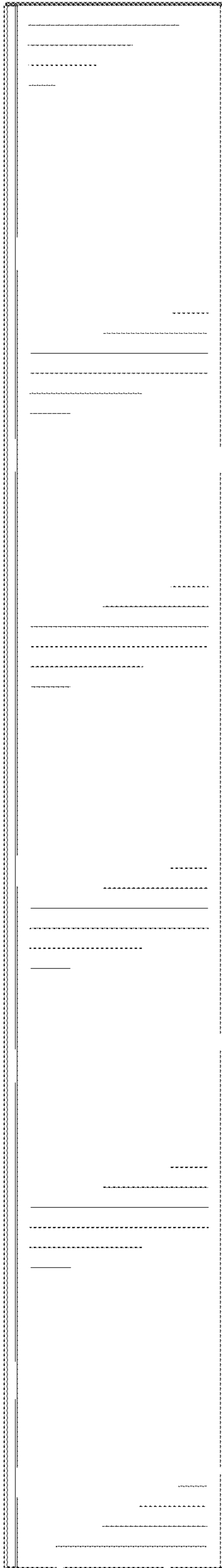


FIG. 8

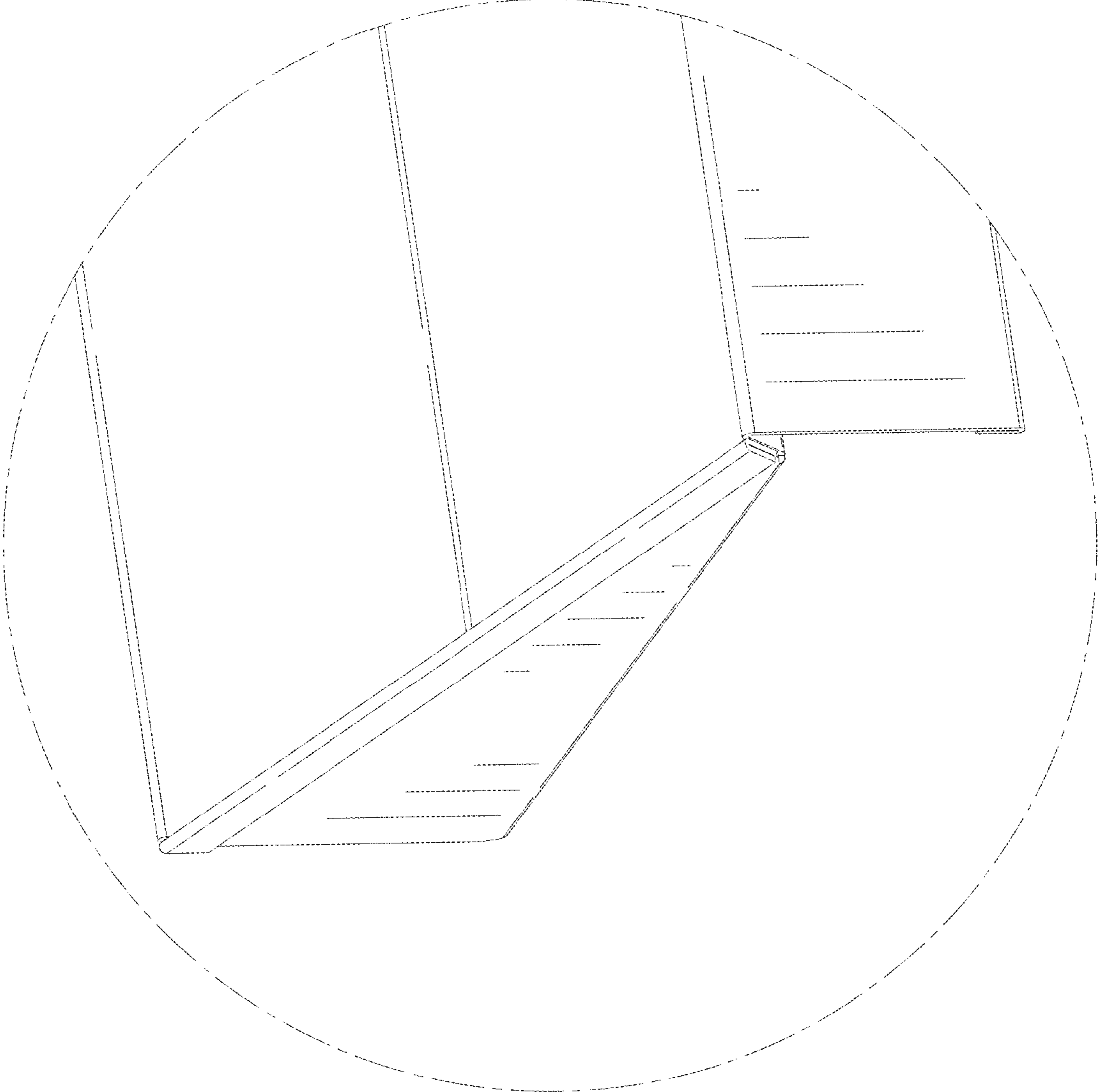


FIG. 9

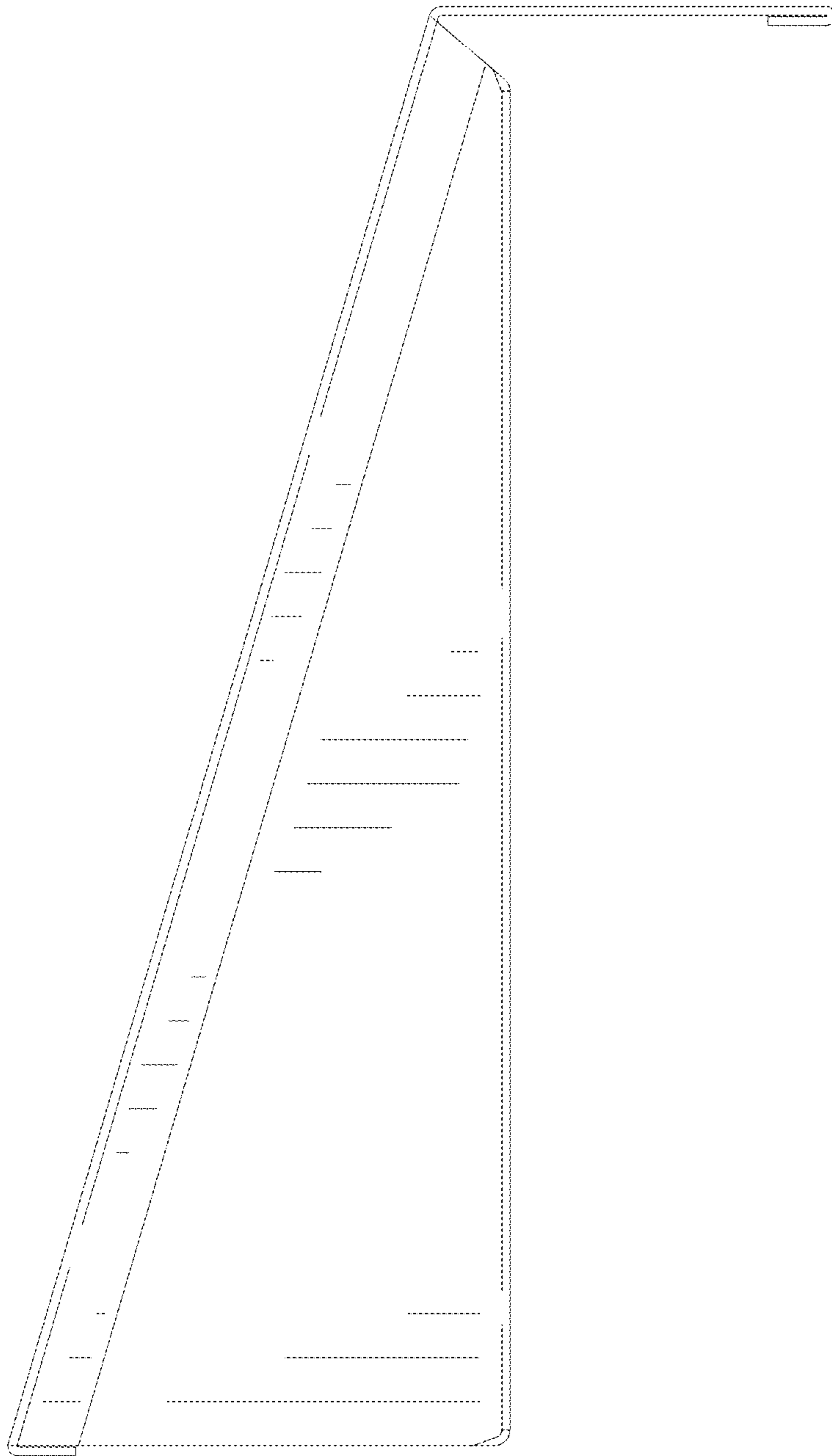


FIG. 10

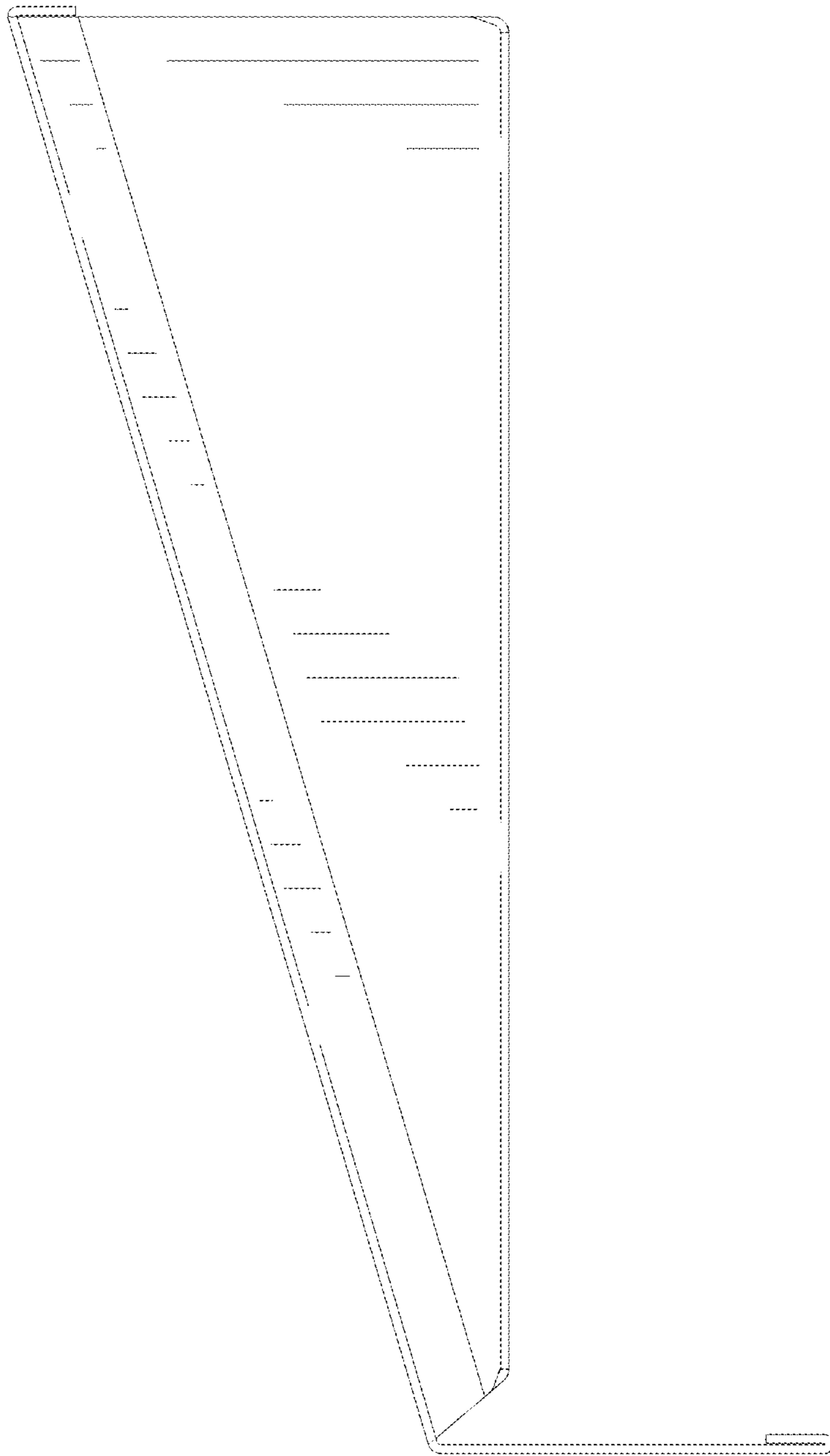


FIG. 11