



US00D967649S

(12) **United States Design Patent** (10) **Patent No.:** **US D967,649 S**
Suhardja (45) **Date of Patent:** **** Oct. 25, 2022**

(54) **SOAP DISPENSER**

(71) Applicant: **Yosua Suhardja**, Pymont (AU)

(72) Inventor: **Yosua Suhardja**, Pymont (AU)

(**) Term: **15 Years**

(21) Appl. No.: **29/744,038**

(22) Filed: **Jul. 27, 2020**

(51) **LOC (13) Cl.** **23-08**

(52) **U.S. Cl.**
USPC **D6/542**

(58) **Field of Classification Search**
USPC D6/542, 545; D23/366; D9/500, 504,
D9/647, 658, 661, 682, 690; D11/157
CPC A47K 5/12; B05B 15/30
See application file for complete search history.

(56) **References Cited**

U.S. PATENT DOCUMENTS

- 778,757 A * 12/1904 McCahill B05B 11/3001
222/321.9
- D96,543 S * 8/1935 Guyer D9/563
- D284,362 S * 6/1986 Biesecker D9/500
- D286,374 S * 10/1986 Bussell D9/556
- D369,096 S * 4/1996 Perrin D5/32
- D444,977 S * 7/2001 Ludwig D6/542
- D477,778 S * 7/2003 Dretzka D9/690
- D477,990 S * 8/2003 Dretzka D6/542
- D508,285 S * 8/2005 Velicescu D23/366
- D565,336 S * 4/2008 Bickler D6/545
- D596,042 S * 7/2009 Chen D9/690
- D644,469 S * 9/2011 Kraemer D6/542
- D665,301 S * 8/2012 Dubow D11/157
- D815,854 S * 4/2018 Weir D6/542
- D863,966 S * 10/2019 Kauffman D9/504
- D911,178 S * 2/2021 Herman D9/500

- D944,028 S * 2/2022 Allard D6/542
- 2005/0049157 A1 * 3/2005 MacDonald C11D 3/221
510/130
- 2008/0011782 A1 * 1/2008 Sidman A47K 5/12
222/192

OTHER PUBLICATIONS

Greendisplay Carved Veige Lotion/Soap Dispenser, available in Amazon.in, date first available Jan. 9, 2020 [online], Retrieved on Mar. 4, 2022 from URL: <https://www.amazon.in/Greendisplay-Fashions-Collection-Dispenser-Toothbrush/dp/B07GT5GJY3> (Year: 2020).*

* cited by examiner

Primary Examiner — Vy N Koenig
Assistant Examiner — Michelle M Reeves
(74) *Attorney, Agent, or Firm* — Tatonetti IP

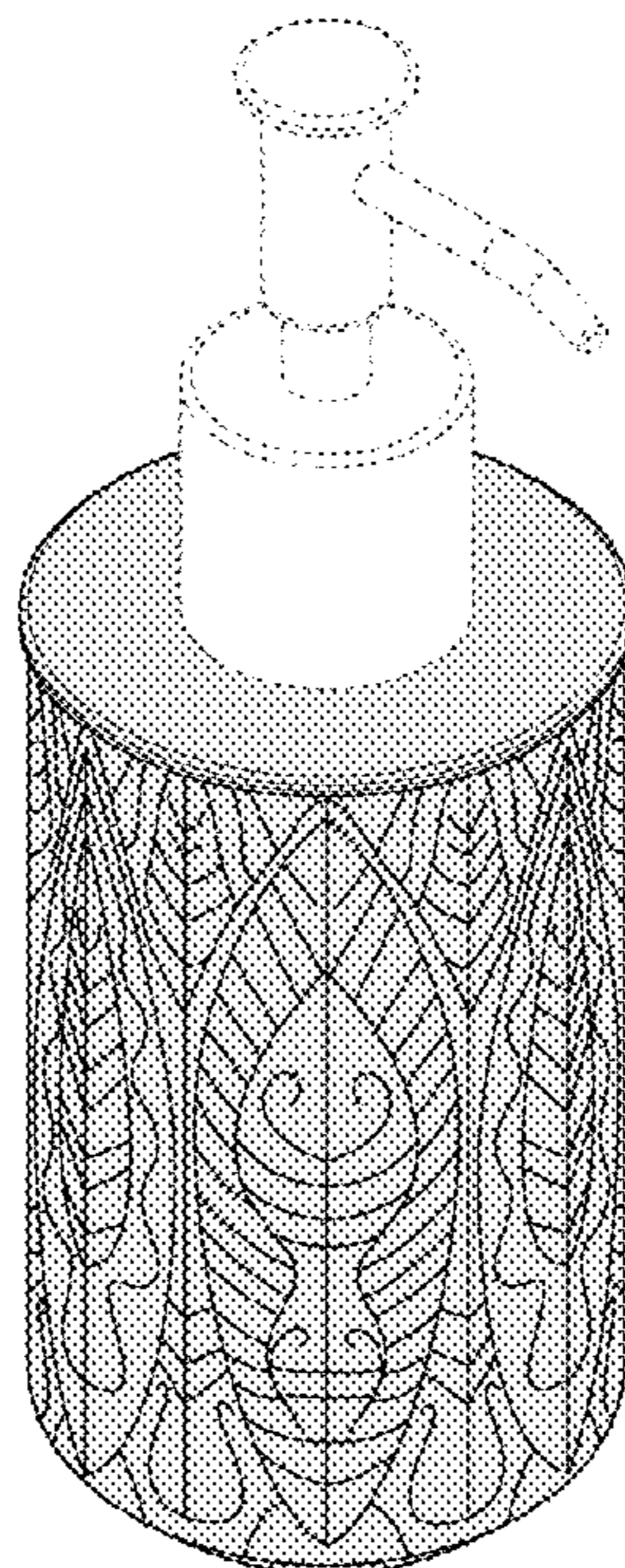
(57) **CLAIM**

I claim the ornamental design for a soap dispenser, as shown and described.

DESCRIPTION

FIG. 1 is a perspective view of a soap dispenser, showing my new design;
FIG. 2 is a front side view thereof;
FIG. 3 is a rear side view thereof;
FIG. 4 is a right side view thereof;
FIG. 5 is a left side view thereof;
FIG. 6 is a top side view thereof; and,
FIG. 7 is a bottom side view thereof.
Broken lines, such as those depicted in FIGS. 1-7, depict environmental subject matter and form no part of the claimed design.

1 Claim, 7 Drawing Sheets



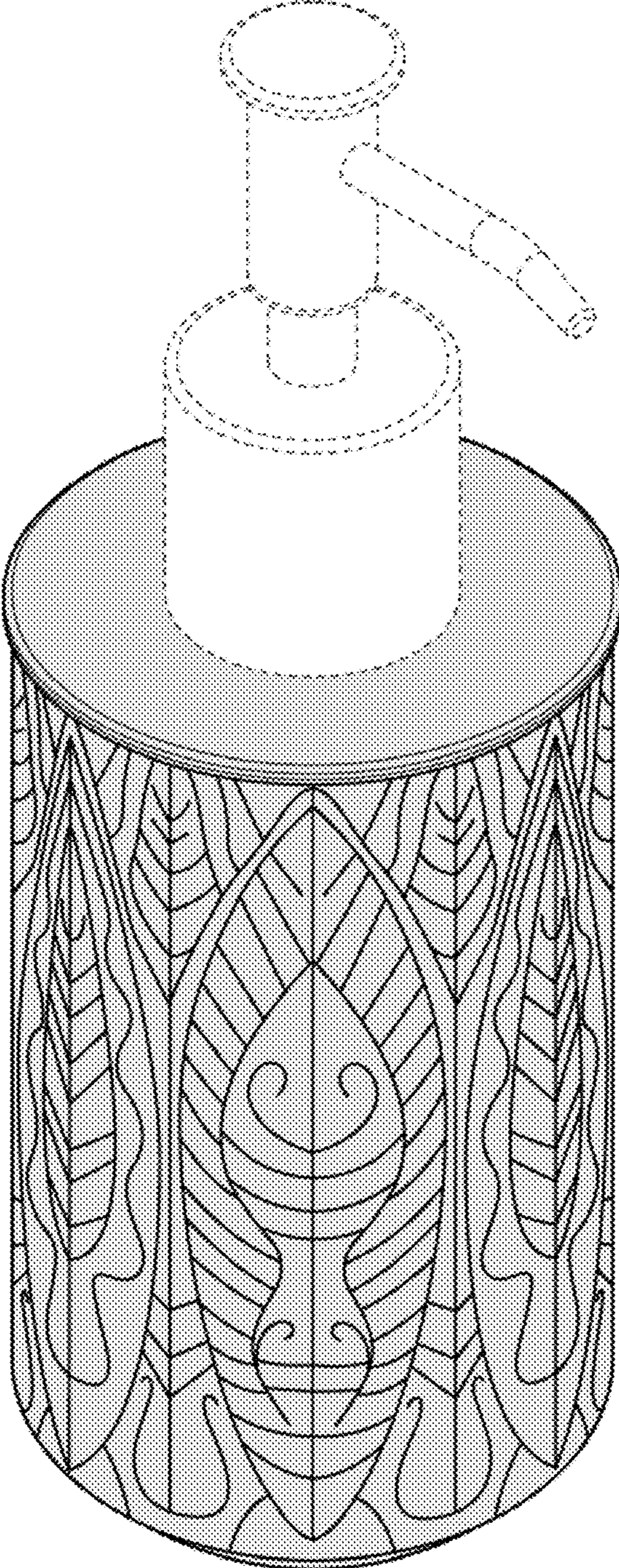


FIG. 1

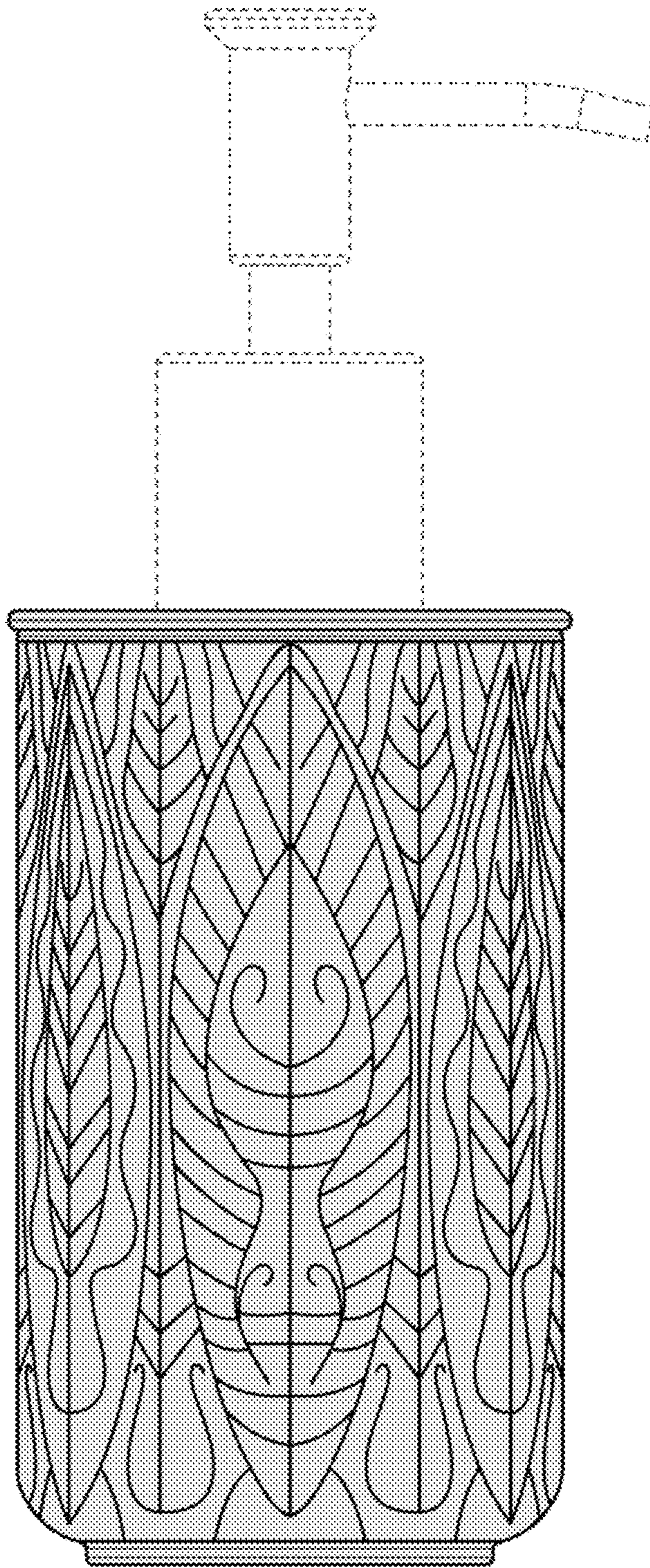


FIG. 2

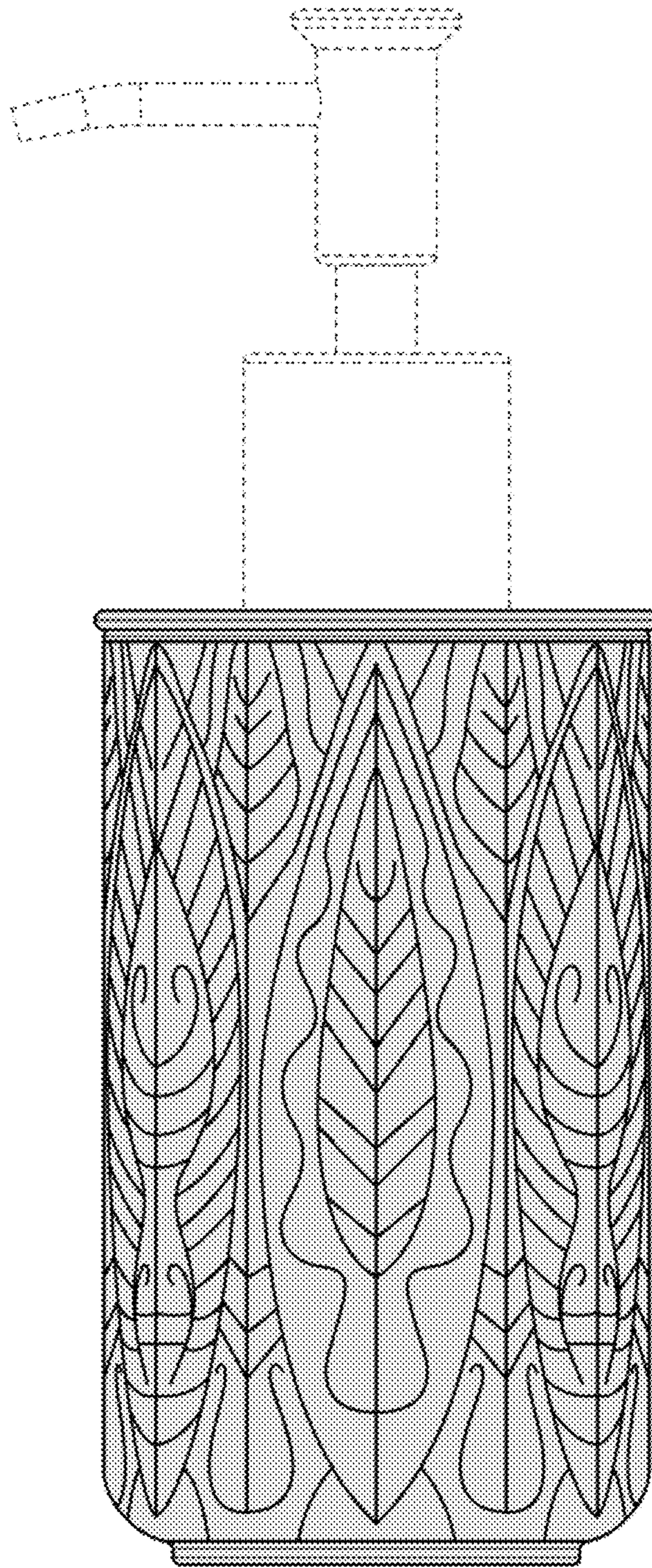


FIG. 3

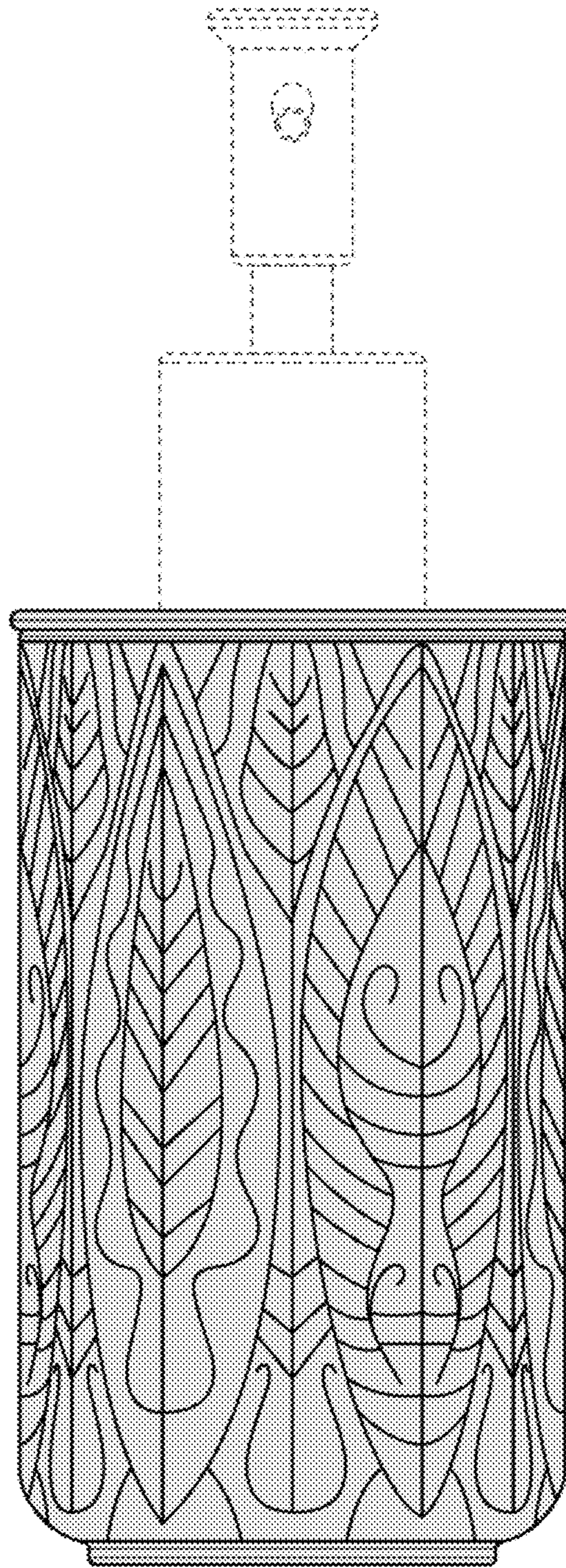


FIG. 4

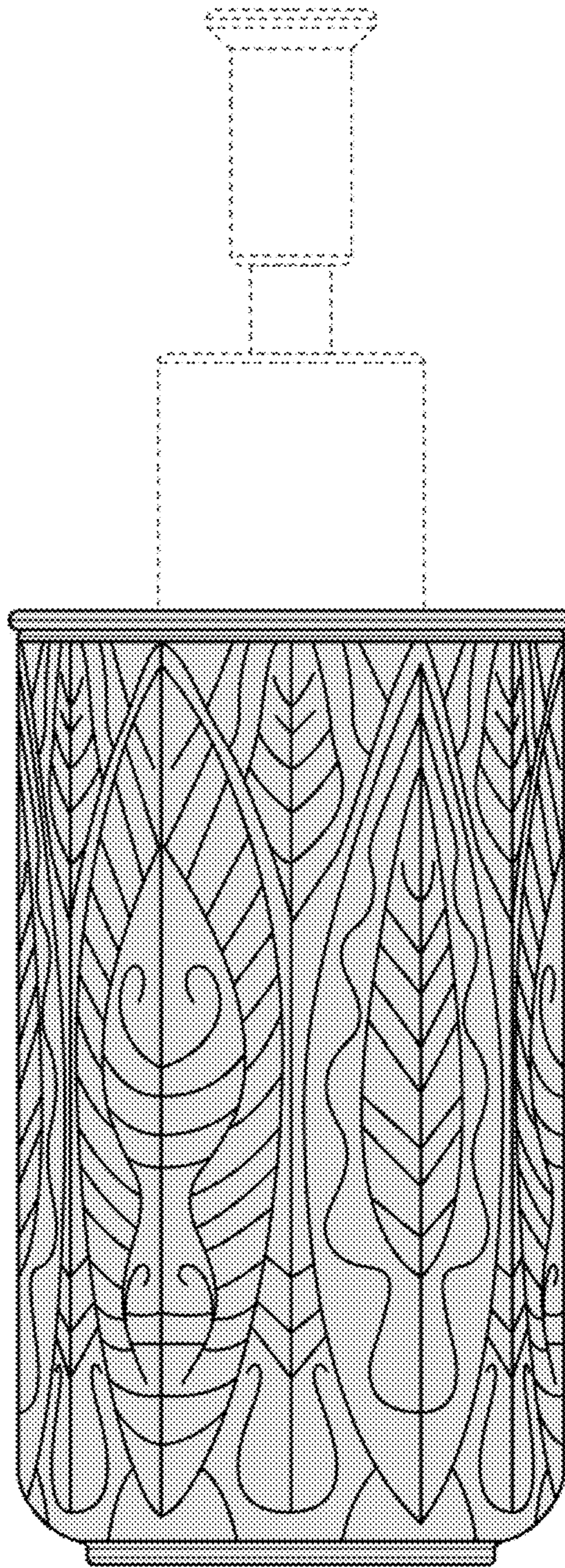


FIG. 5

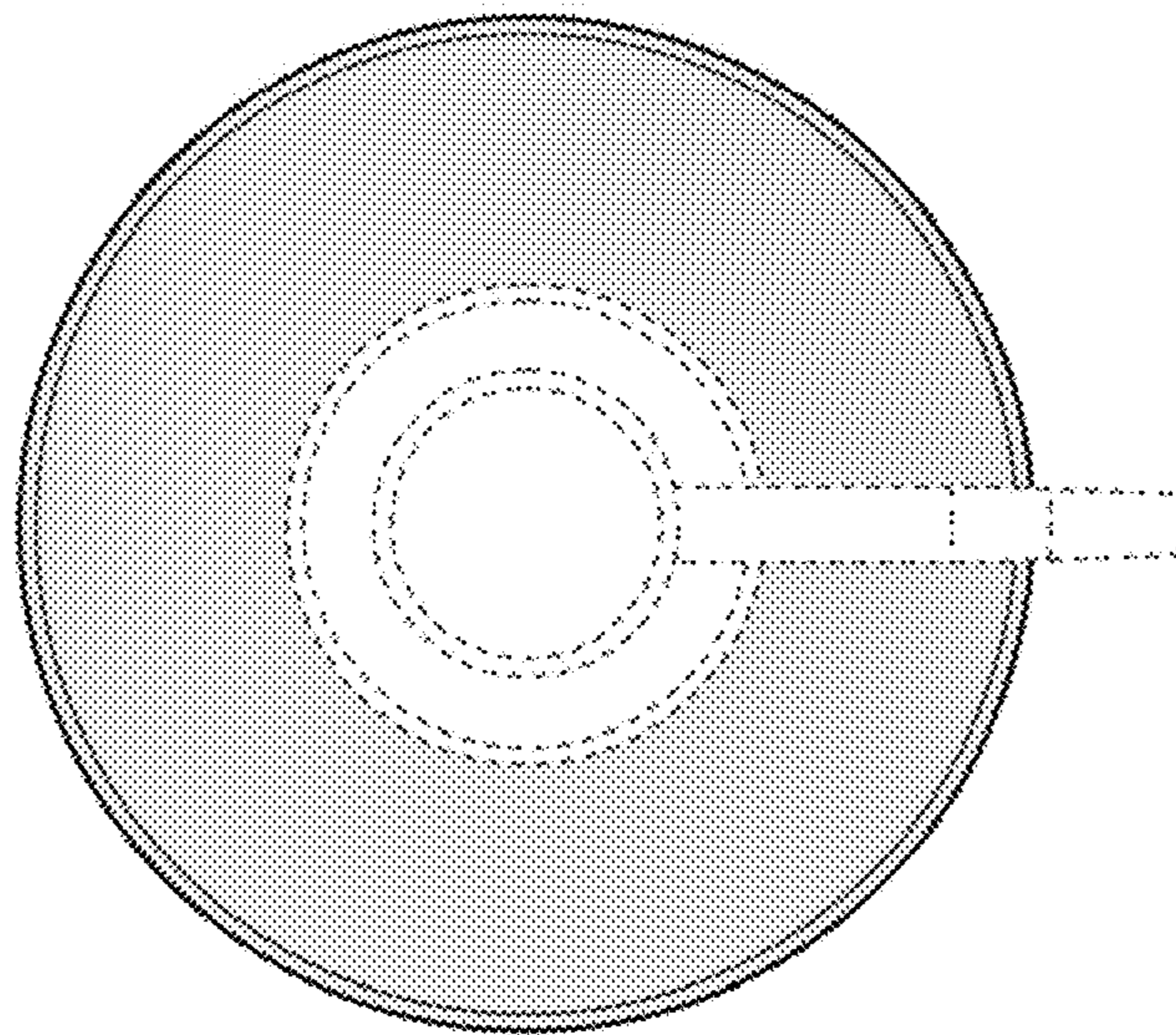


FIG. 6

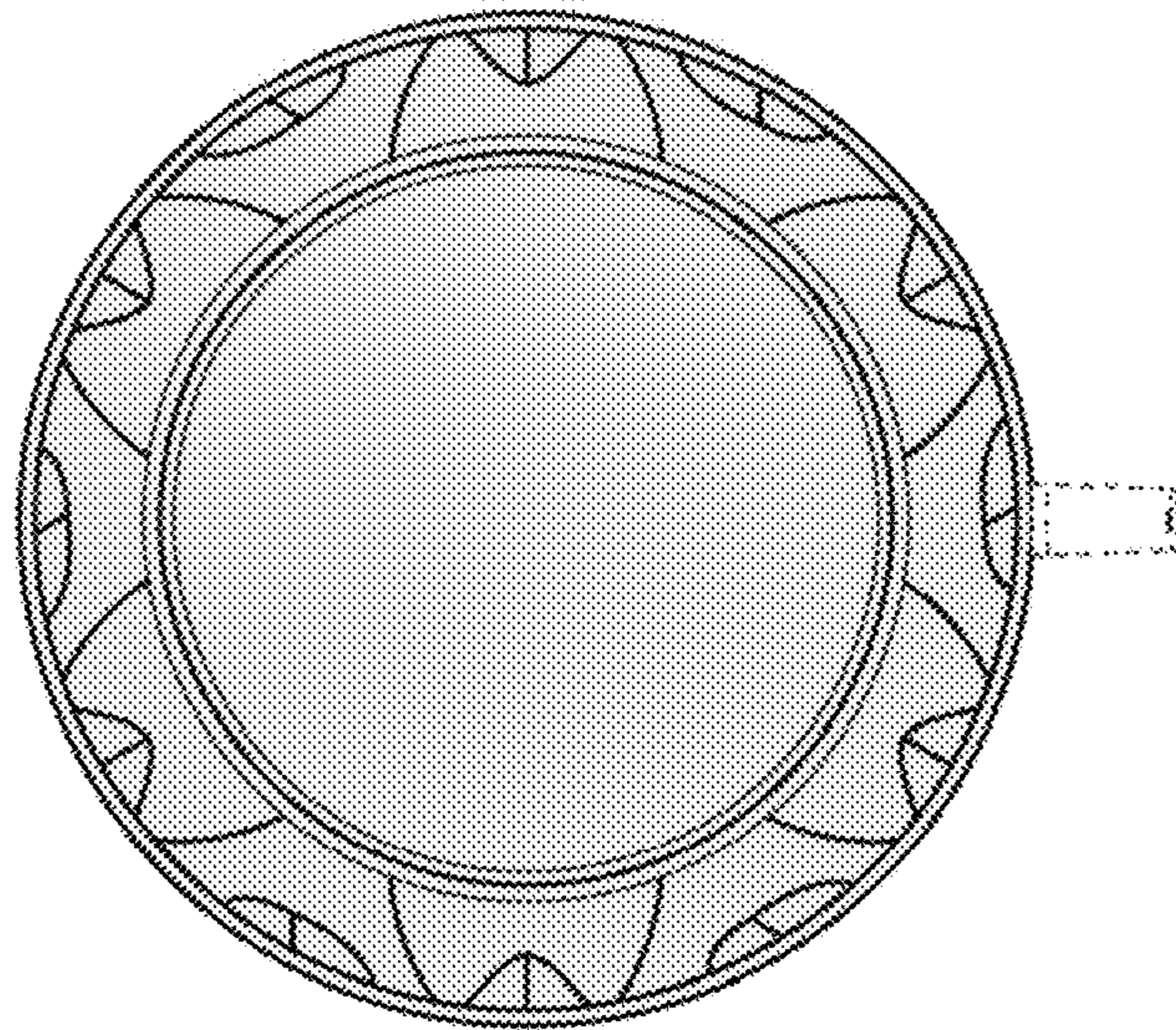


FIG. 7