



US00D967647S

(12) **United States Design Patent**
Zheng

(10) **Patent No.:** **US D967,647 S**

(45) **Date of Patent:** **** Oct. 25, 2022**

(54) **WALL-MOUNTED TOWEL RACK**
(71) Applicant: **Jianjun Zheng**, Fengcheng (CN)
(72) Inventor: **Jianjun Zheng**, Fengcheng (CN)
(**) Term: **15 Years**

D486,333 S * 2/2004 Hoernig D6/521
D518,985 S * 4/2006 Yang D6/521
D570,143 S * 6/2008 Bigelow D6/520
D626,771 S * 11/2010 Shek D6/521
D859,029 S * 9/2019 Mariano D6/522
D930,387 S * 9/2021 Liang D6/522

(21) Appl. No.: **29/791,846**
(22) Filed: **Feb. 11, 2022**
(51) **LOC (13) Cl.** **06-04**
(52) **U.S. Cl.**
USPC **D6/522**
(58) **Field of Classification Search**
USPC D6/518-522; 248/309.1, 309.2;
211/13.1, 45.59, 89.01; 206/389, 391;
242/590, 597.7
CPC A47K 10/04; A47K 10/10; A47K 10/3836;
A47K 2010/324; A47K 2010/389; B08B
1/006
See application file for complete search history.

OTHER PUBLICATIONS

Amazon.com, LKKL Paper Towel Holder Under Cabinet, Apr. 4, 2022, <https://www.amazon.com/LKKL-Horizontally-Vertically-Bathroom-Stainless/dp/B09X5FS3D2/> (Year: 2022).*

* cited by examiner

Primary Examiner — Nathan M Johnston

(57) **CLAIM**

The ornamental design for a wall-mounted towel rack, as shown and described.

DESCRIPTION

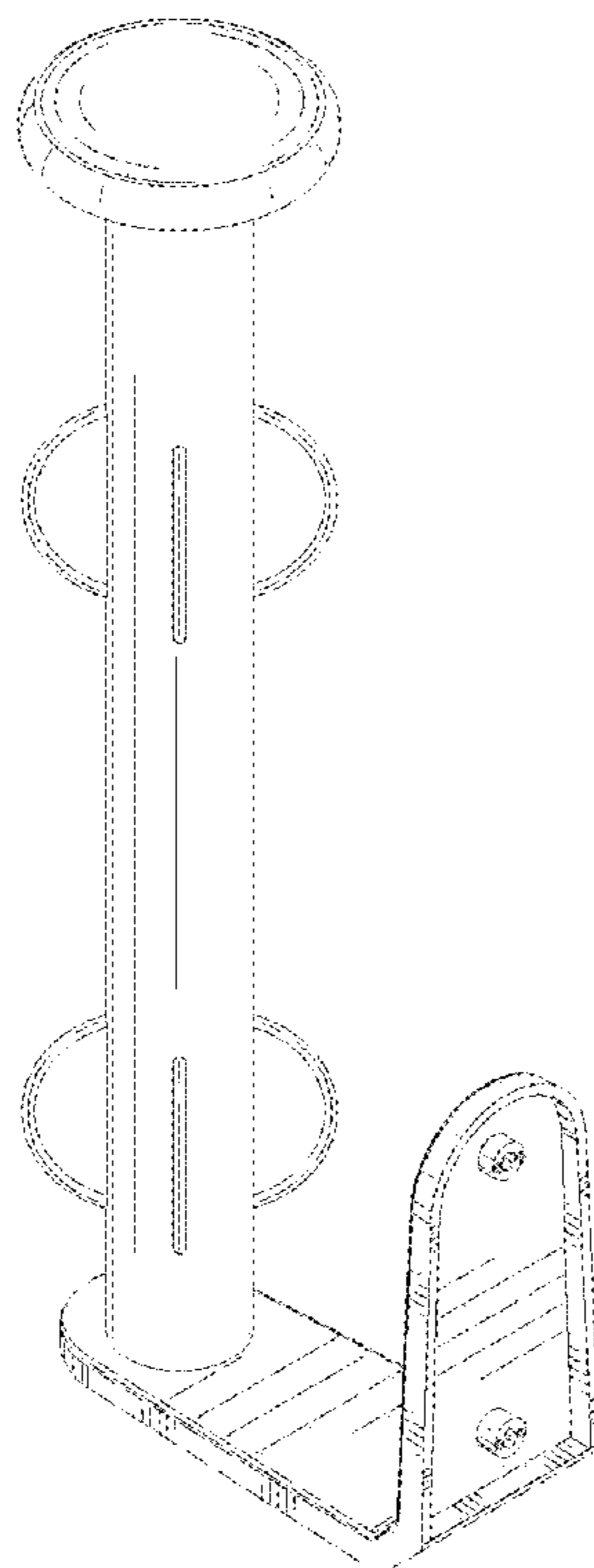
FIG. 1 is a front and top perspective view of a wall-mounted towel rack, showing my new design; FIG. 2 is a front elevation view thereof; FIG. 3 is a rear elevation view thereof; FIG. 4 is a left side elevation view thereof; FIG. 5 is a right side elevation view thereof; FIG. 6 is a top plan view thereof; and, FIG. 7 is a bottom plan view thereof. The broken lines in the figures illustrate portions of the wall-mounted towel rack that form no part of the claimed design.

1 Claim, 7 Drawing Sheets

(56) **References Cited**

U.S. PATENT DOCUMENTS

2,592,571 A * 4/1952 Huntington A47K 10/3836
242/422.4
3,346,208 A * 10/1967 Hoffman B65H 75/08
242/597.5
D274,026 S 5/1984 Boroch
D277,622 S * 2/1985 Servadio D6/521
D298,290 S * 11/1988 Wilkerson D6/521
D386,638 S * 11/1997 Fong D6/518
D398,466 S * 9/1998 Odom D6/521
D477,730 S * 7/2003 Hoernig D6/521



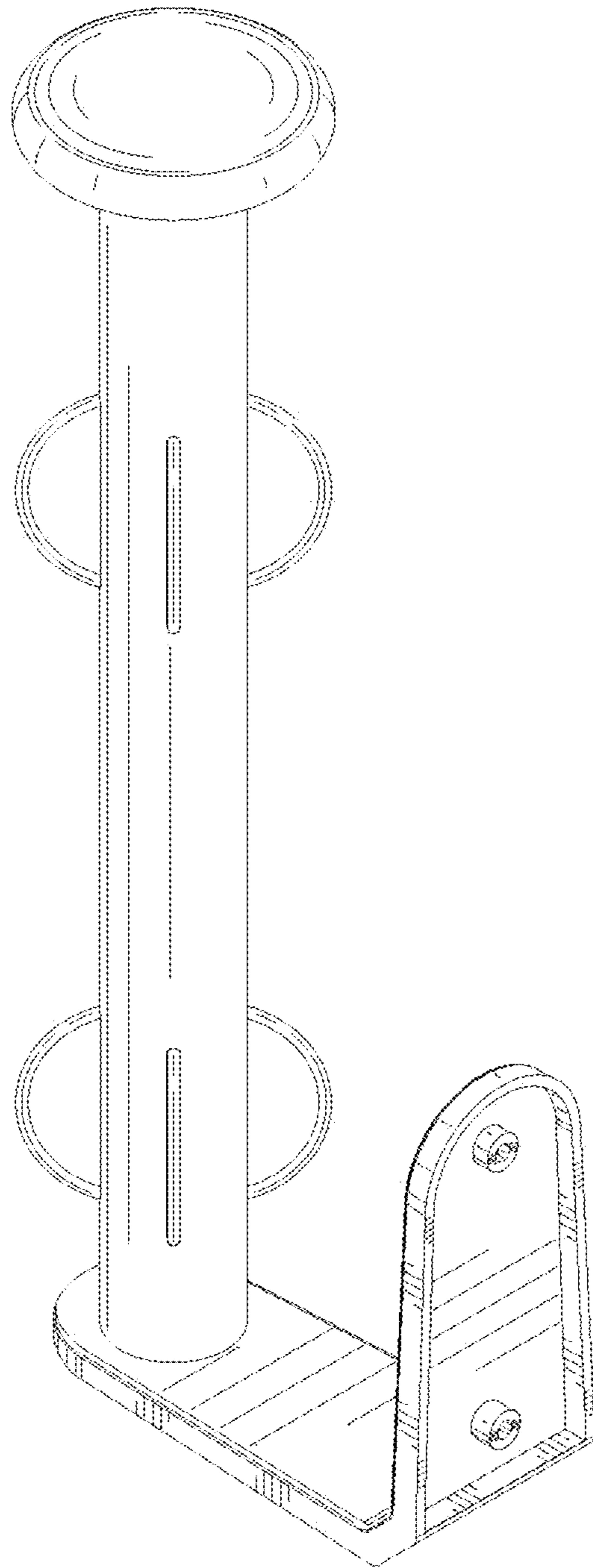


FIG.1

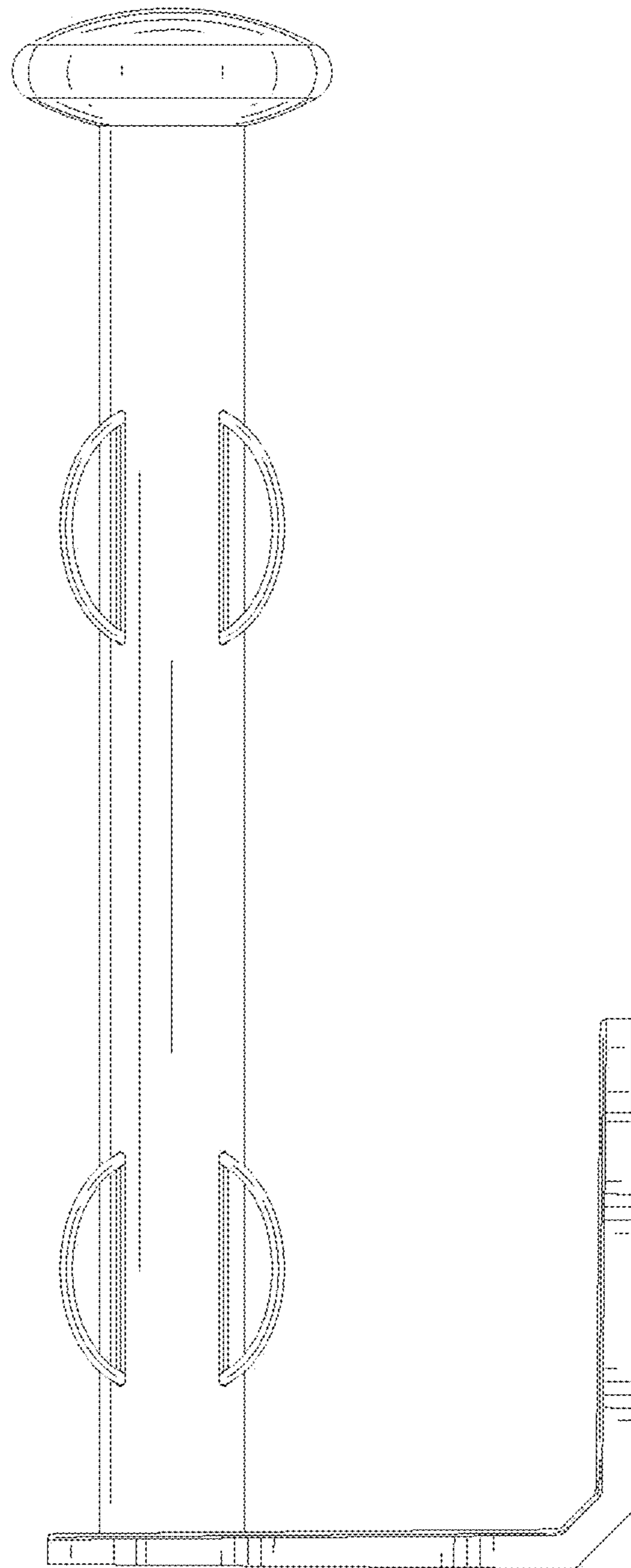


FIG.2

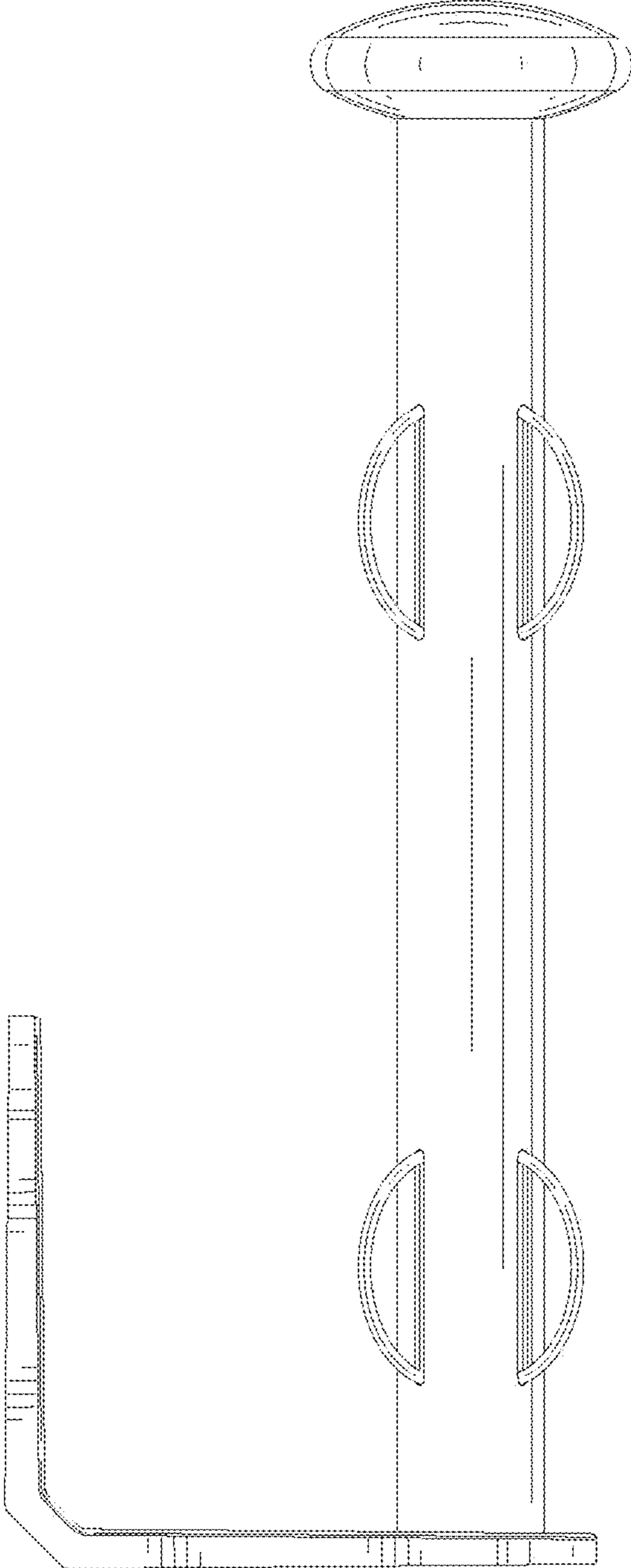


FIG.3

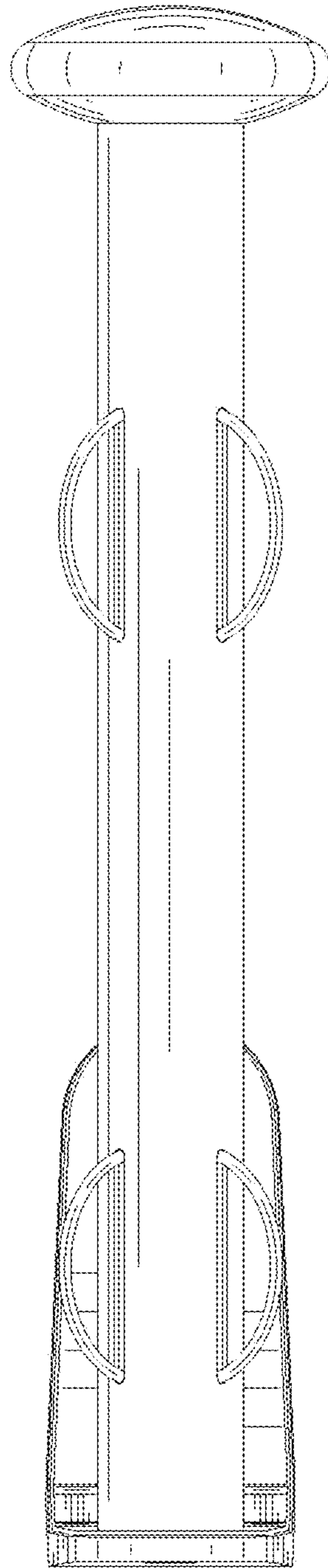


FIG.4

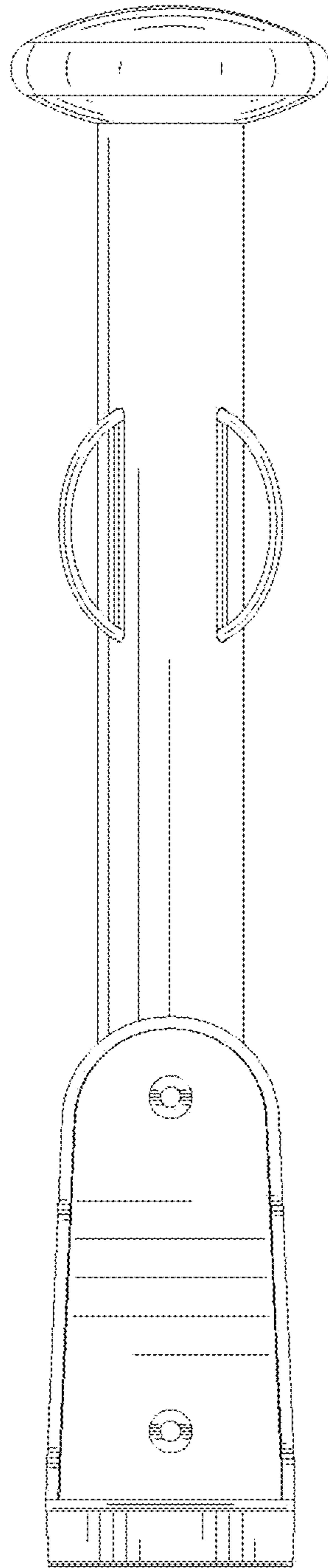


FIG.5

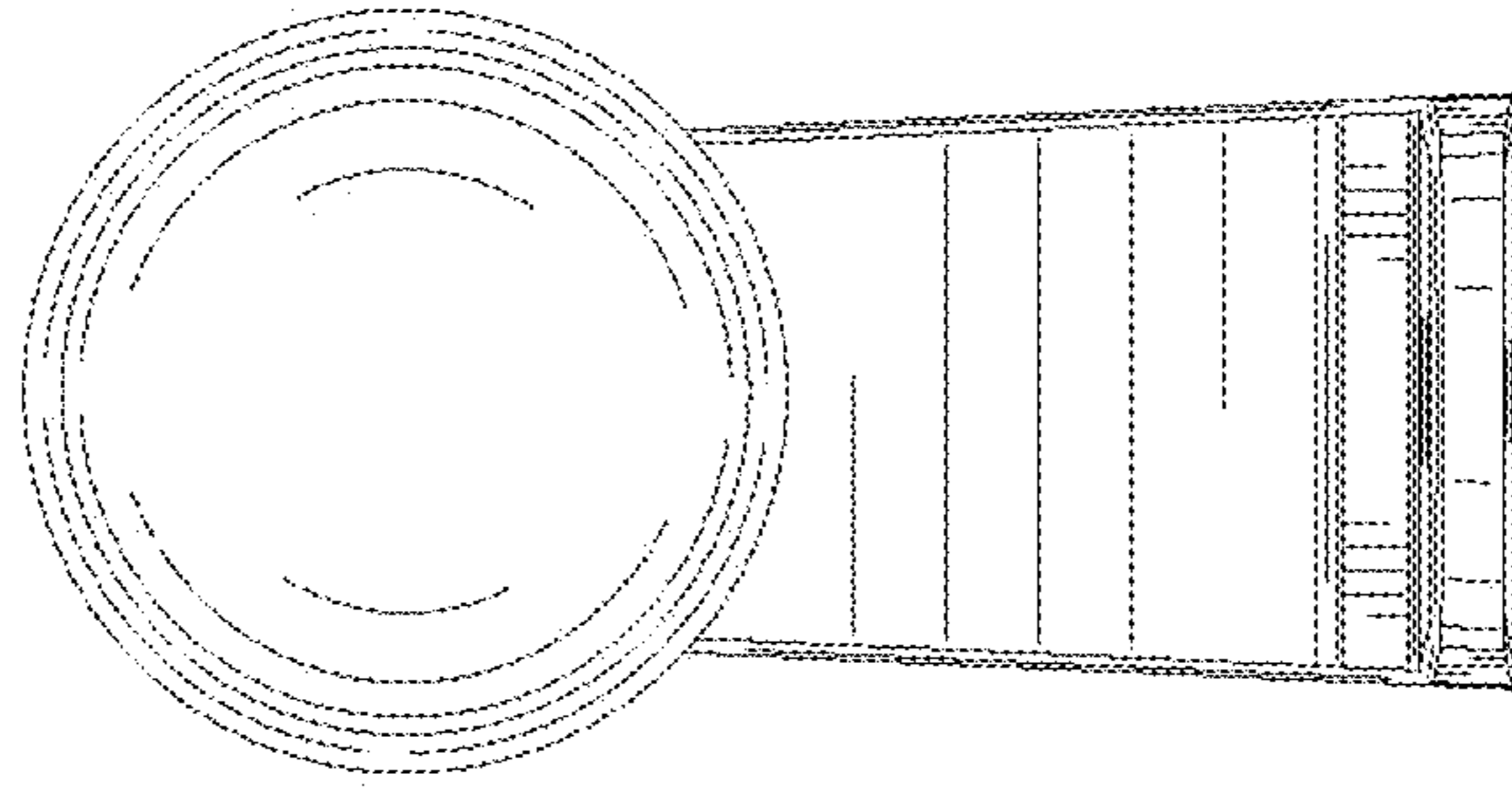


FIG.6

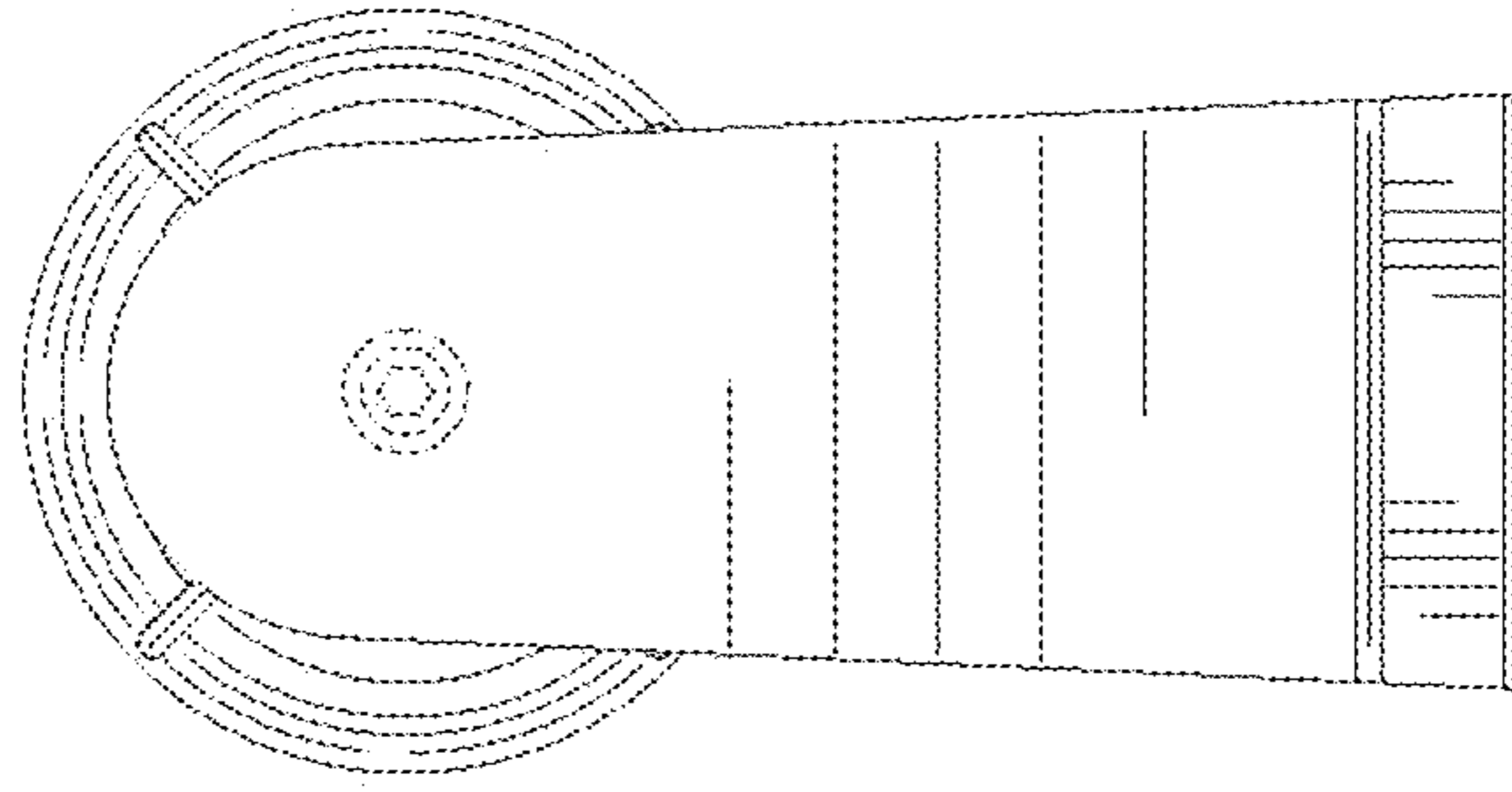


FIG.7