

US00D967646S

(12) **United States Design Patent** (10) **Patent No.:** **US D967,646 S**
Zheng (45) **Date of Patent:** **** Oct. 25, 2022**

(54) **KITCHEN PAPER RACK**
(71) Applicant: **Jianjun Zheng**, Fengcheng (CN)
(72) Inventor: **Jianjun Zheng**, Fengcheng (CN)
(**) Term: **15 Years**
(21) Appl. No.: **29/791,847**
(22) Filed: **Feb. 11, 2022**
(51) **LOC (13) Cl.** **06-04**
(52) **U.S. Cl.**
USPC **D6/521**
(58) **Field of Classification Search**
USPC D6/518-522; 248/309.1, 309.2;
211/13.1, 45.59, 89.01; 206/389, 391;
242/590, 597.7
CPC A47K 10/04; A47K 10/10; A47K 10/3836;
A47K 2010/324; A47K 2010/389; B08B
1/006
See application file for complete search history.

7,140,573 B1 * 11/2006 Jerstroem A47K 10/3836
242/597.6
D550,488 S * 9/2007 Nip D6/521
D555,953 S * 11/2007 Vordenberg D6/521
D563,130 S * 3/2008 Griffith D6/521
D577,527 S * 9/2008 Yu D6/521
D609,949 S * 2/2010 Yang D6/521
D906,006 S * 12/2020 Holding D6/521
D917,916 S 5/2021 Chiang
2002/0070308 A1 * 6/2002 Fahringer A47K 10/38
242/423.2
2006/0284001 A1 * 12/2006 Paradise A47K 10/3836
242/597.7
2007/0176043 A1 * 8/2007 Yu A47K 10/3836
242/597.7
2007/0262191 A1 * 11/2007 Amron A47K 10/3836
242/597.7
2018/0213982 A1 * 8/2018 Taylor A47K 10/22

OTHER PUBLICATIONS

Amazon.com, LKKL Paper Towel Holder Countertop, Apr. 21, 2022, <https://www.amazon.com/LKKL-Countertop-Weighted-Standing-Stainless/dp/B09YH1M4PH/> (Year: 2022).*

* cited by examiner

Primary Examiner — Nathan M Johnston

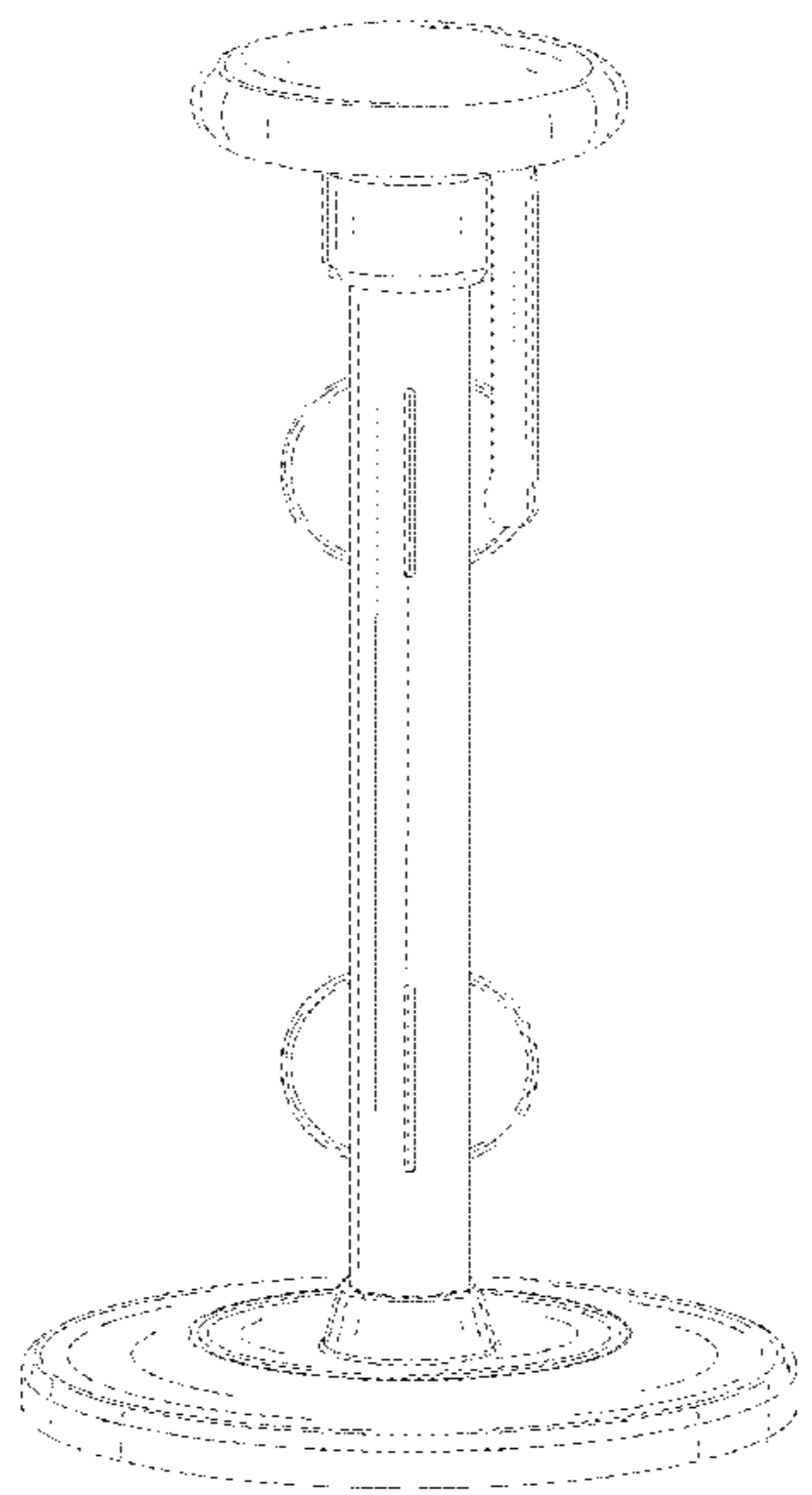
(56) **References Cited**
U.S. PATENT DOCUMENTS
D298,597 S * 11/1988 Bell D6/521
D306,809 S * 3/1990 Joseph D6/521
5,297,750 A * 3/1994 Hunt B65H 35/002
242/422.4
D432,828 S * 10/2000 Snell D6/522
6,619,582 B1 * 9/2003 Jørgensen A47K 10/3836
D6/521
6,776,368 B1 * 8/2004 Duncan A47K 10/3836
242/597.7
D499,915 S * 12/2004 Snell D6/521
D499,916 S * 12/2004 Yang D6/521
D520,278 S * 5/2006 Mariano D6/521
D521,287 S * 5/2006 Mellen D6/521
D522,293 S * 6/2006 Yang D6/521
D523,268 S * 6/2006 Goodman D6/521
D523,672 S * 6/2006 Yang D6/521
D530,549 S * 10/2006 Yang D6/521

(57) **CLAIM**
The ornamental design for a kitchen paper rack, as shown and described.

DESCRIPTION

FIG. 1 is a front and top perspective view of a kitchen, paper rack, showing my new design;
FIG. 2 is a front elevation view thereof;
FIG. 3 is a rear elevation view thereof;
FIG. 4 is a left side elevation view thereof;
FIG. 5 is a right side elevation view thereof;
FIG. 6 is a top plan view thereof; and,
FIG. 7 is a bottom plan view thereof.

1 Claim, 7 Drawing Sheets



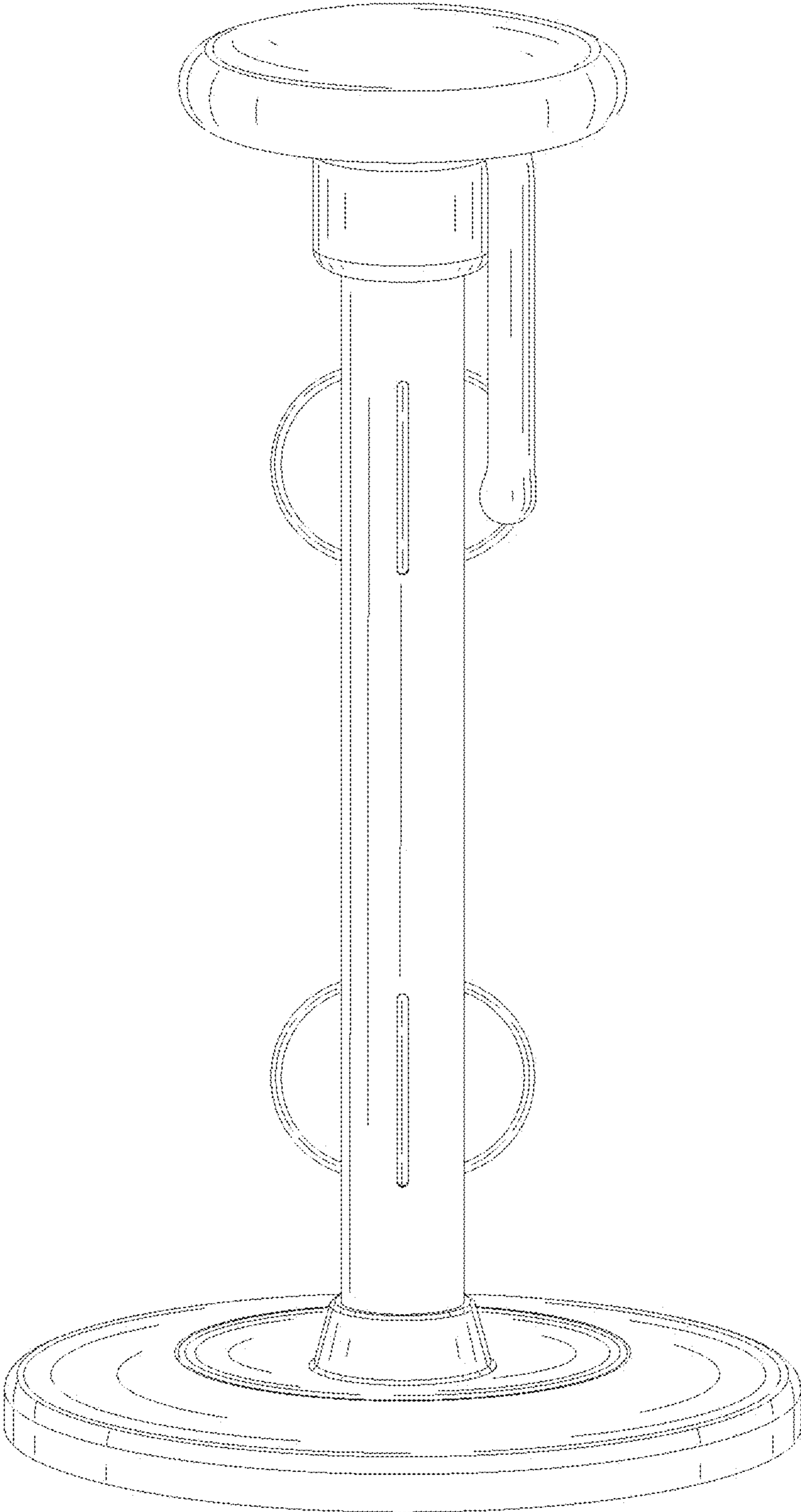


FIG. 1

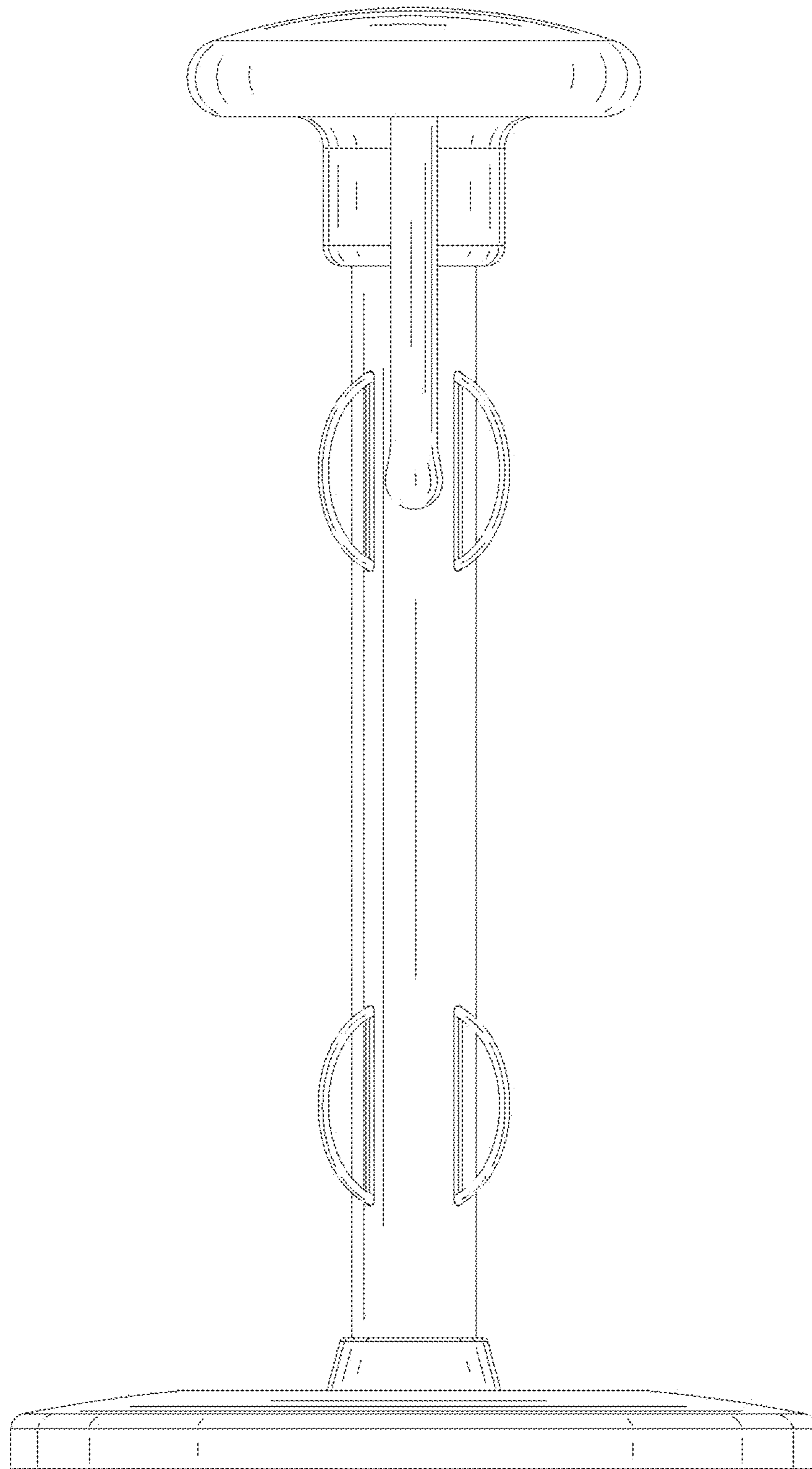


FIG. 2

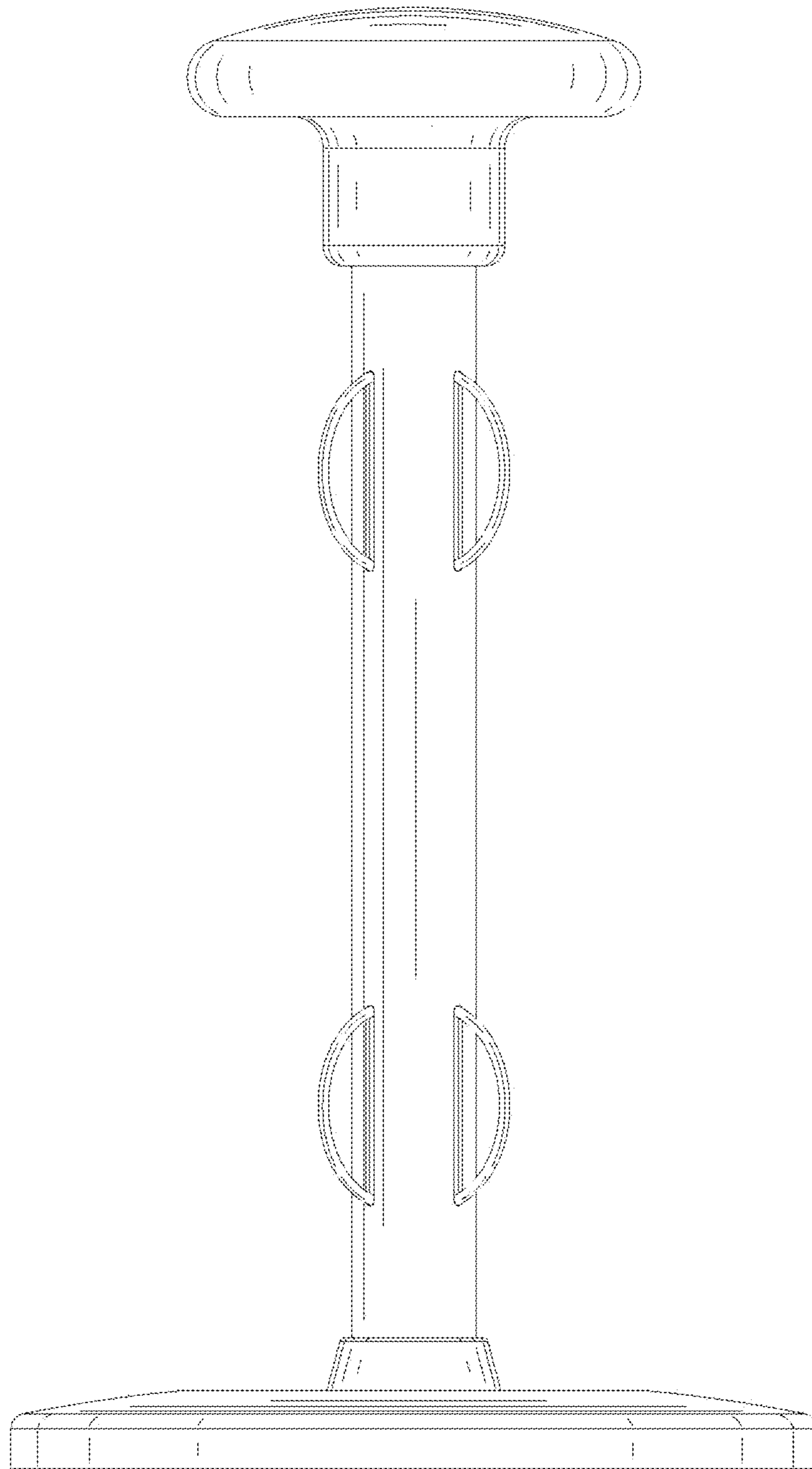


FIG. 3

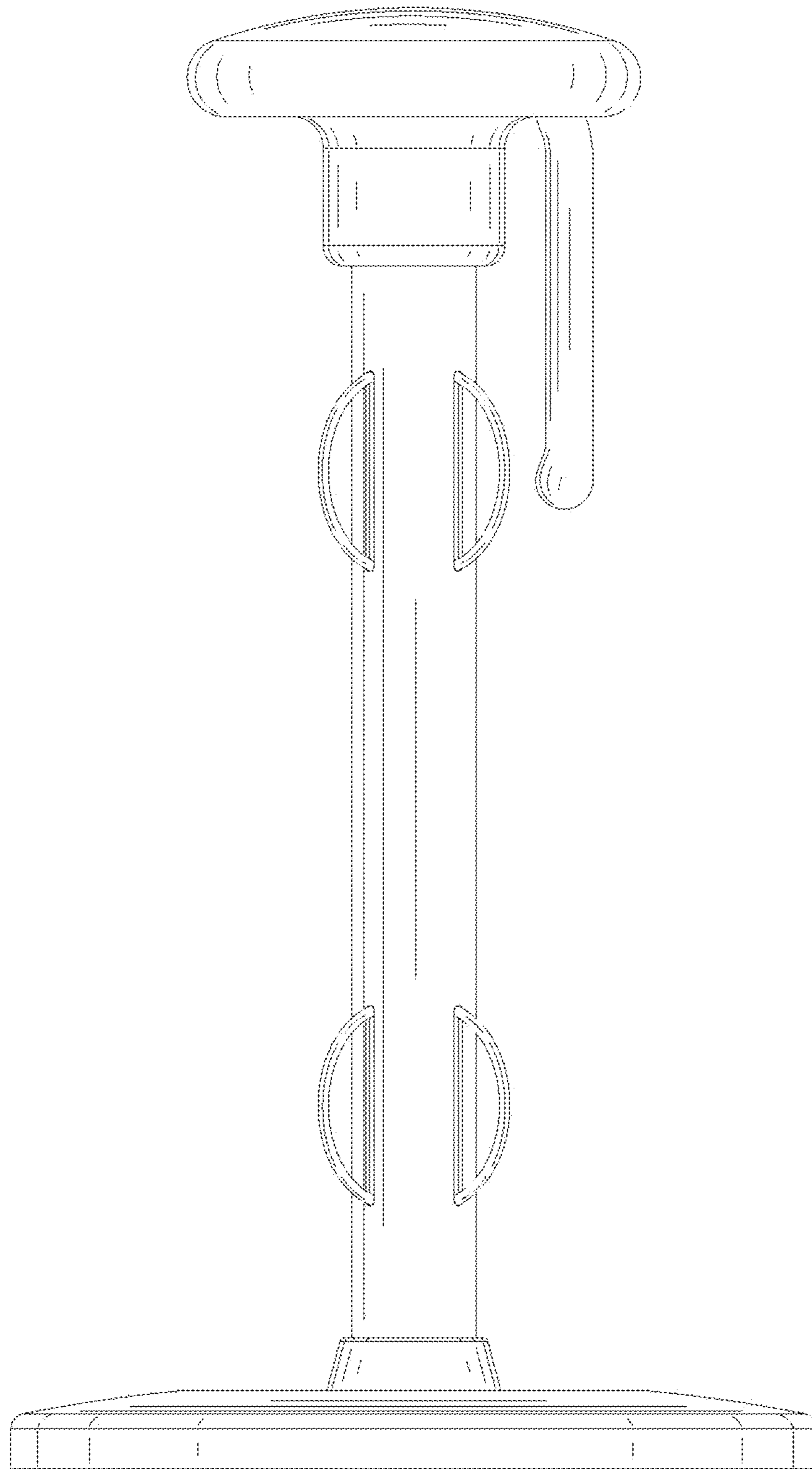


FIG. 4

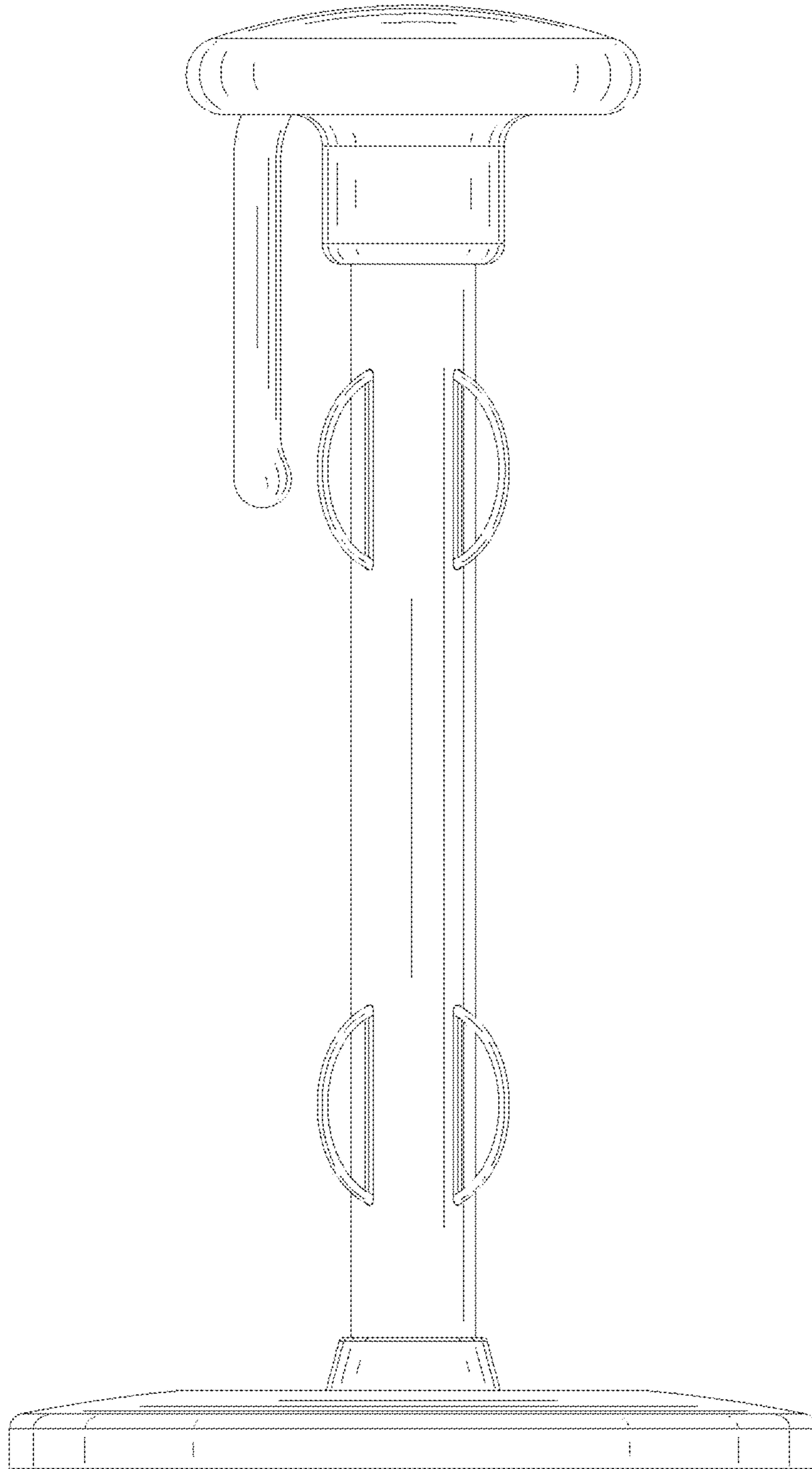


FIG. 5

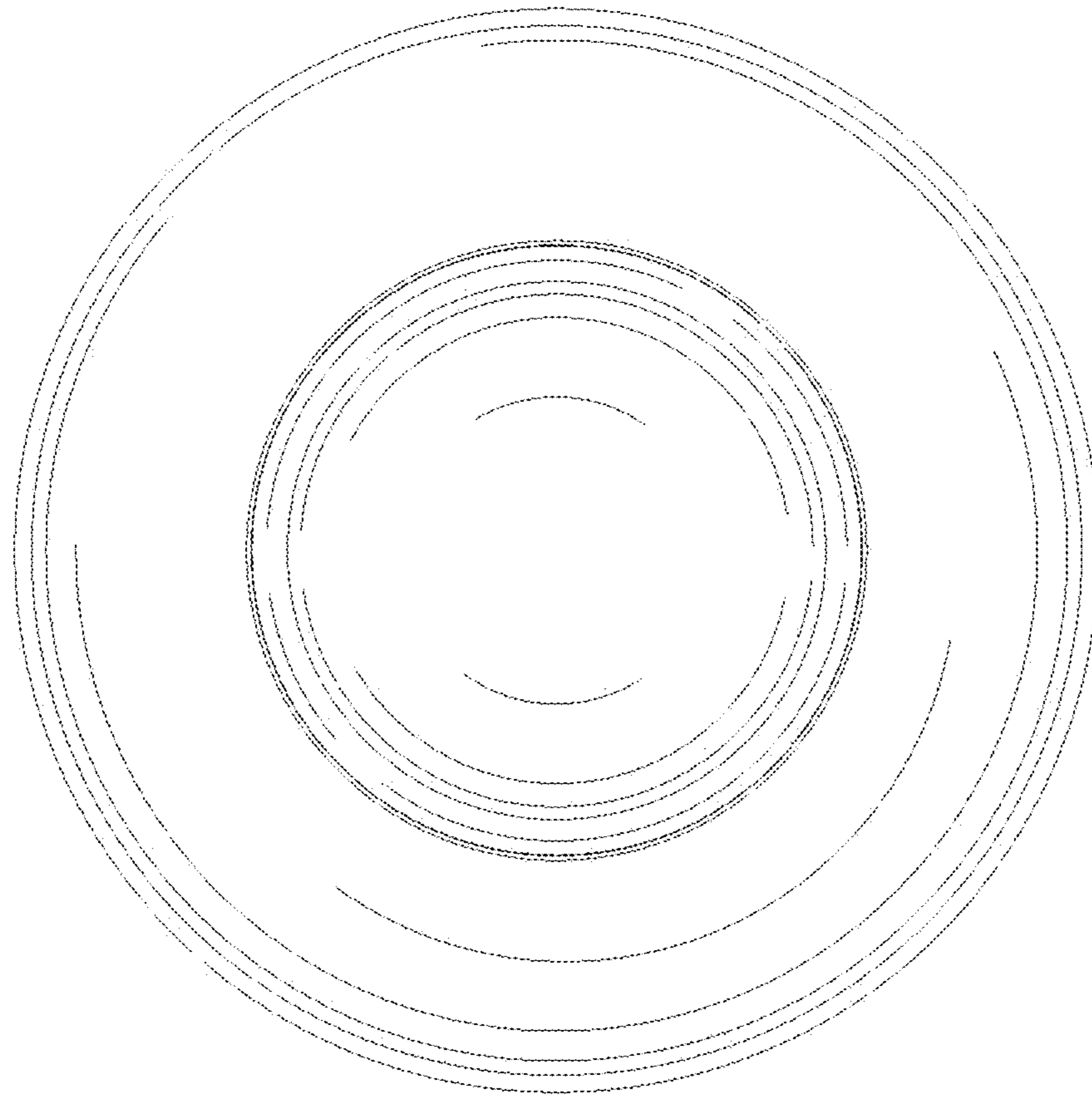


FIG. 6

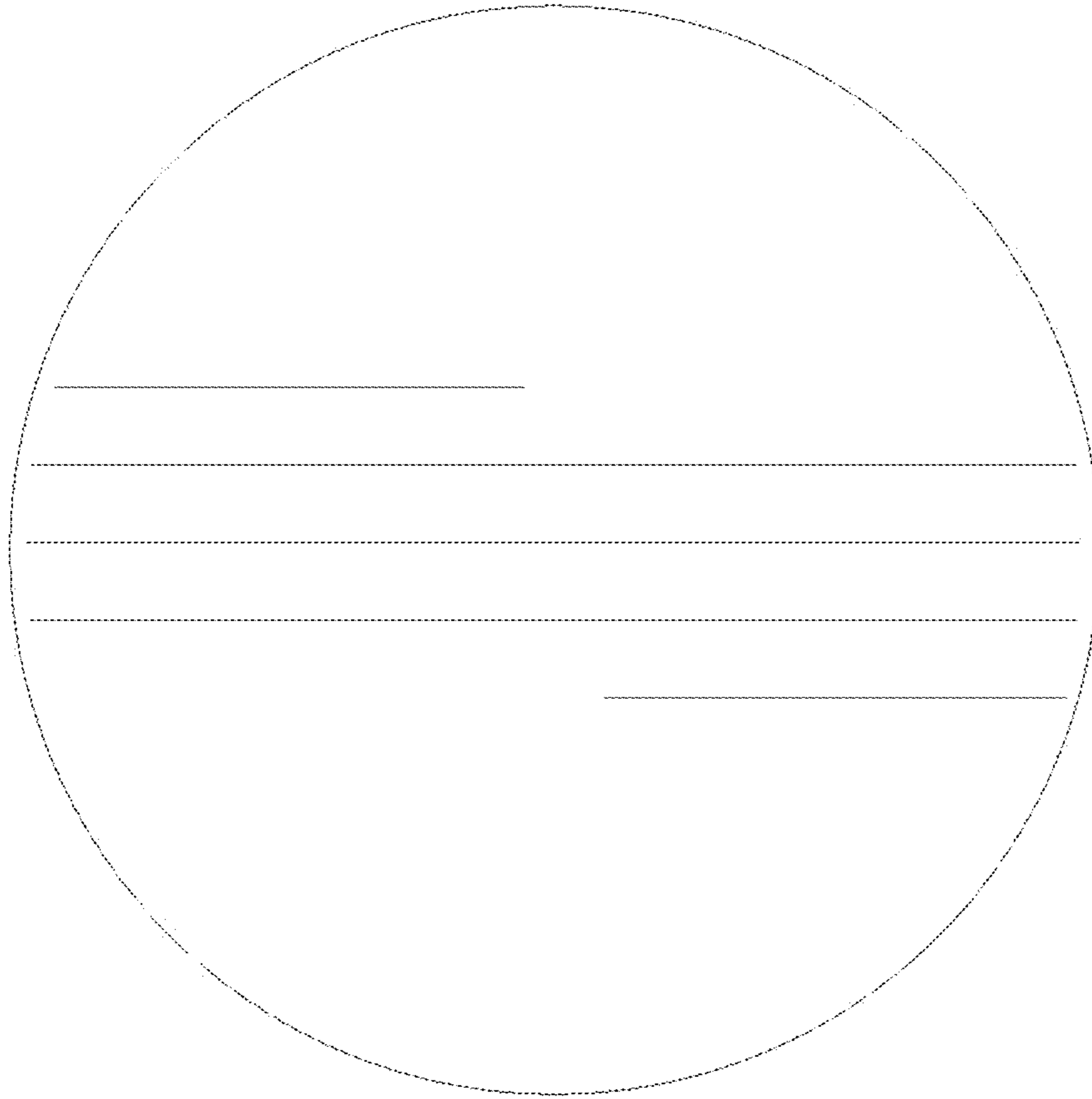


FIG. 7