



US00D967645S

(12) **United States Design Patent**  
**Lin**

(10) **Patent No.:** **US D967,645 S**

(45) **Date of Patent:** **\*\* Oct. 25, 2022**

(54) **PLASTIC WRAP DISPENSER**

(71) Applicant: **Qian Lin**, Guangdong (CN)

(72) Inventor: **Qian Lin**, Guangdong (CN)

(\*\*) Term: **15 Years**

(21) Appl. No.: **29/836,463**

(22) Filed: **Apr. 27, 2022**

(51) **LOC (13) Cl.** ..... **20-02**

(52) **U.S. Cl.**

USPC ..... **D6/520**

(58) **Field of Classification Search**

USPC ..... D6/515-523; D9/307, 521, 529, 419,  
D9/420; D3/20, 301, 201, 304; D34/10;  
D19/67, 134; D7/601, 631, 632

CPC .... A47F 7/021; A47F 5/05; A47F 7/00; A47F  
1/126; A47F 7/163; A47F 13/08; A47K  
10/40; A47K 10/3836; A47K 10/16;  
A47K 2010/3266; A47K 10/42; A47K  
10/426; B66D 1/7442; B65D 85/00;  
B65D 81/00; B65D 81/22; B65D 83/0805

See application file for complete search history.

(56) **References Cited**

**U.S. PATENT DOCUMENTS**

D162,809 S *	4/1951	Gay	.....	D27/176
D357,377 S	4/1995	Manu et al.		
D364,298 S *	11/1995	Phifer	.....	D6/515
D392,482 S *	3/1998	Seenath	.....	D9/418
D421,863 S *	3/2000	Tetreault	.....	D6/657
D523,267 S *	6/2006	Mays-Hobbs	.....	D6/518
D530,947 S *	10/2006	Garcia-Elste	.....	D6/520
D645,220 S *	9/2011	Yang	.....	D34/10
D670,517 S *	11/2012	Murphy	.....	D6/515
D681,378 S *	5/2013	Murphy	.....	D6/515
D681,986 S *	5/2013	Murphy	.....	D6/515

D683,986 S *	6/2013	Murphy	.....	D6/515
D686,842 S *	7/2013	Murphy	.....	D6/515
D686,843 S *	7/2013	Murphy	.....	D6/515

**OTHER PUBLICATIONS**

Amazon.com, Plastic Wrap Dispenser with Cutter, Jul. 6, 2022, <https://www.amazon.com/Plastic-Dispenser-Aluminum-Parchment-Organizer/dp/B0B5XGZRPN/> (Year: 2022).\*

Amazon.com, DNTGVUP Foil and Plastic Wrap Organizer, Apr. 2, 2022, <https://www.amazon.com/DNTGVUP-Organizer-Dispenser-Aluminum-Organization/dp/B09X2YDX9X/?th=1> (Year: 2022).\*

\* cited by examiner

*Primary Examiner* — Nathan M Johnston

(57) **CLAIM**

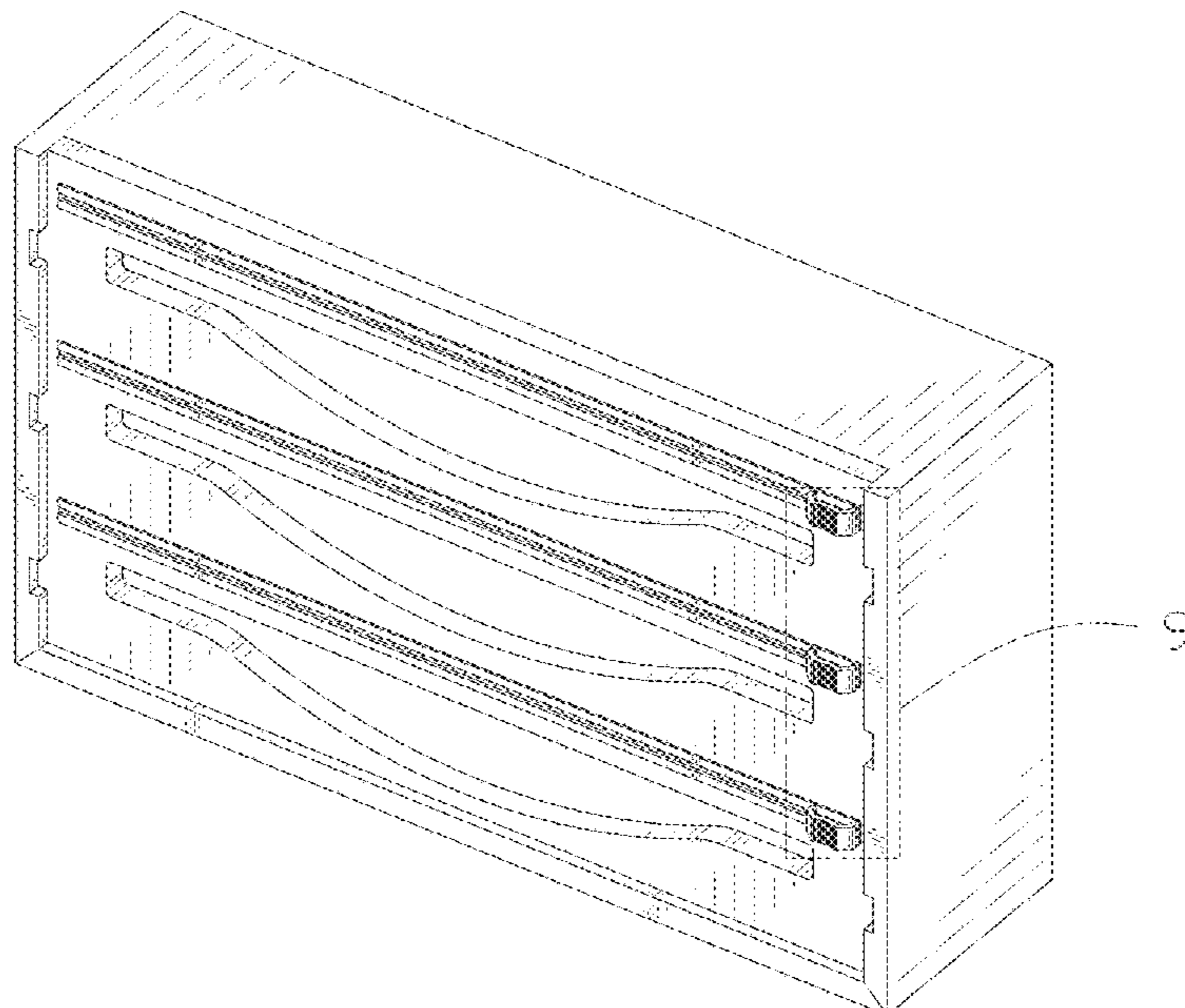
The ornamental design for a plastic wrap dispenser, as shown and described.

**DESCRIPTION**

FIG. 1 is a front and top perspective view of a plastic wrap dispenser, showing my new design;  
FIG. 2 is a rear and bottom perspective view thereof;  
FIG. 3 is a front elevation view thereof;  
FIG. 4 is a rear elevation view thereof;  
FIG. 5 is a left side elevation view thereof;  
FIG. 6 is a right side elevation view thereof;  
FIG. 7 is a top plan view thereof;  
FIG. 8 is a bottom plan view thereof; and,  
FIG. 9 is an enlarged view of a portion indicated with numeric 9 in FIG. 1.

The broken lines in the figures illustrate portions of the plastic wrap dispenser that form no part of the claimed design. The dash dot dash lines in FIGS. 1 and 9 are for the purpose of depicting the boundary lines of the enlarged view and form no part of the claimed design.

**1 Claim, 9 Drawing Sheets**



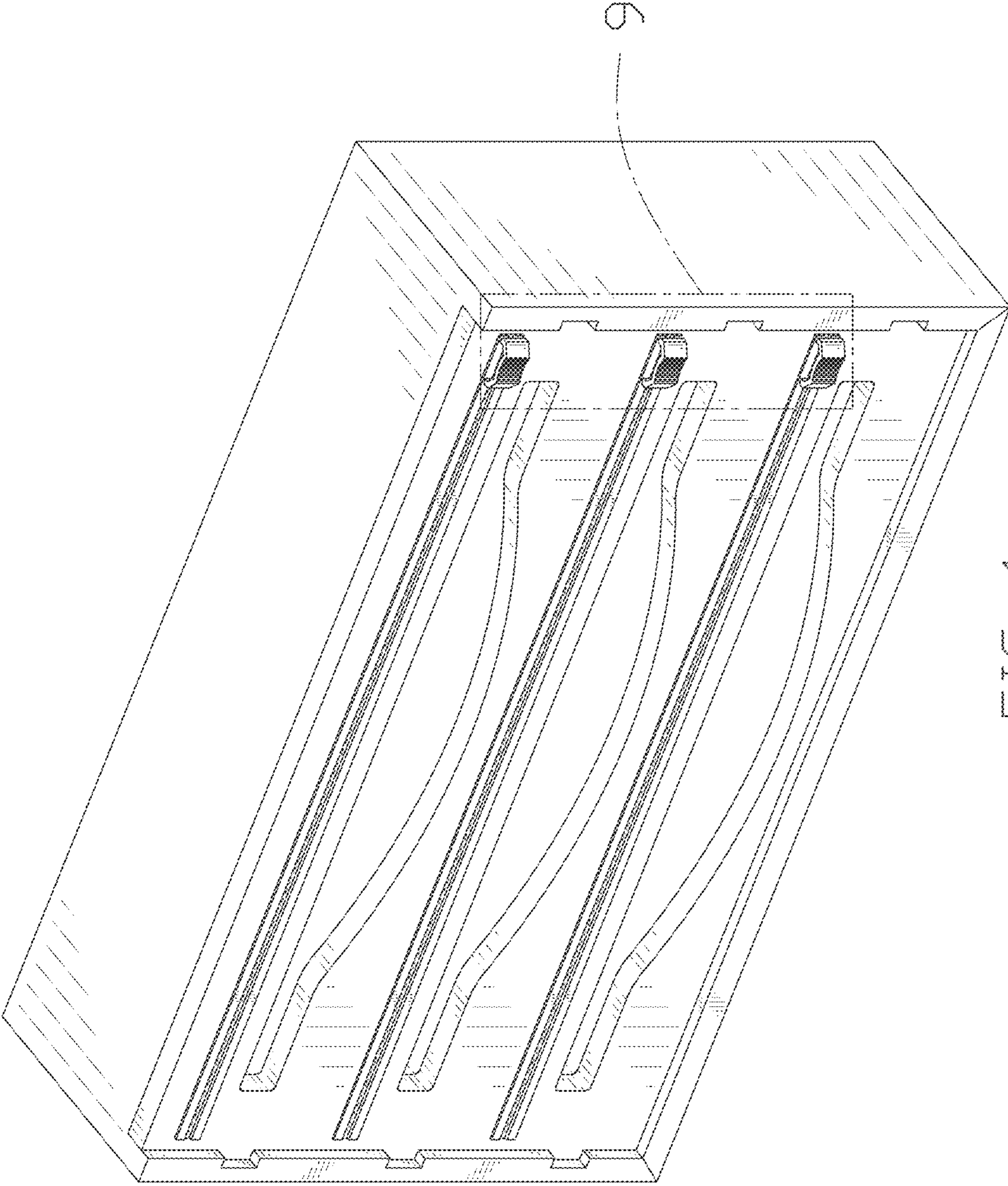


FIG. 1

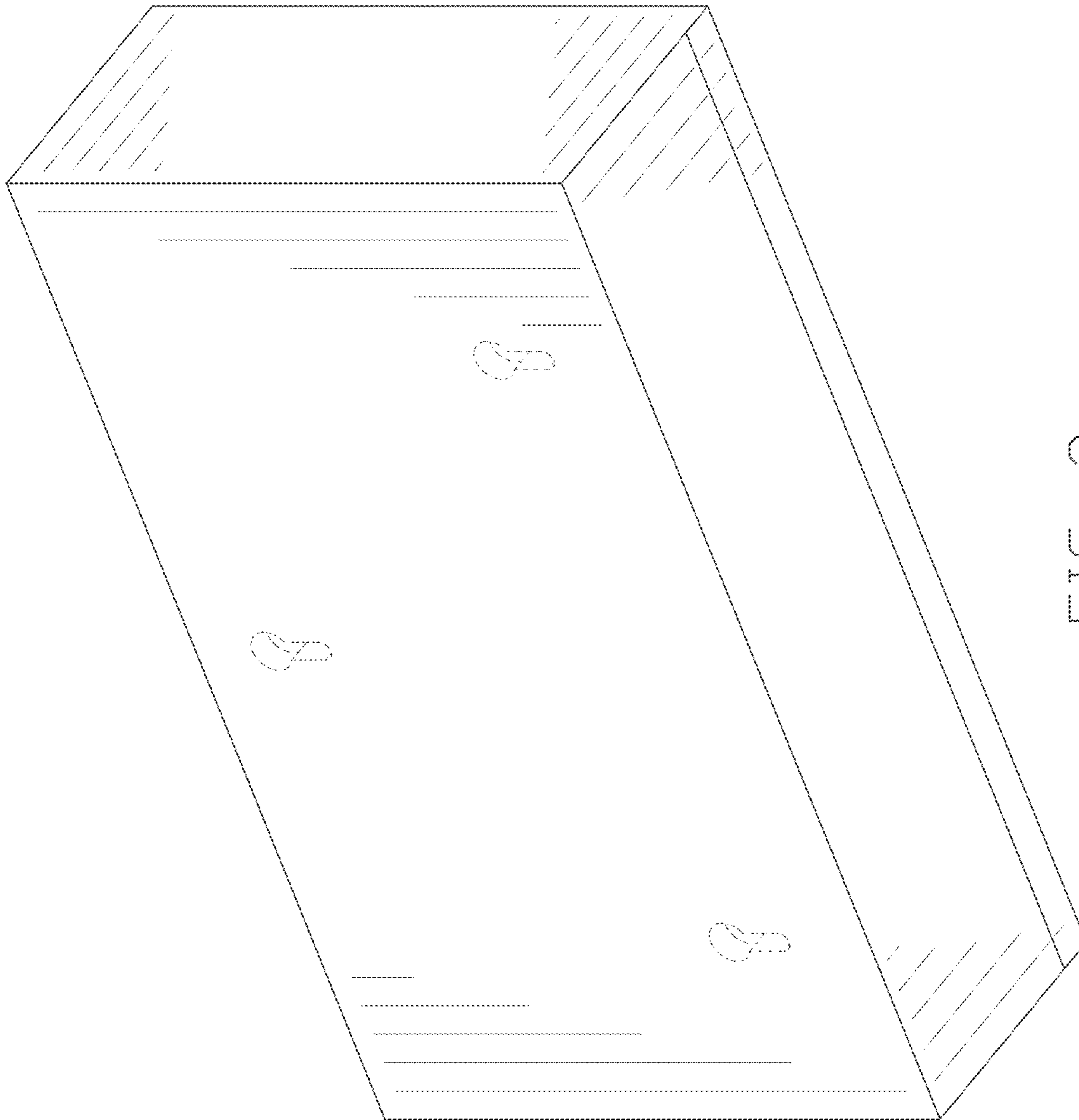


FIG. 2

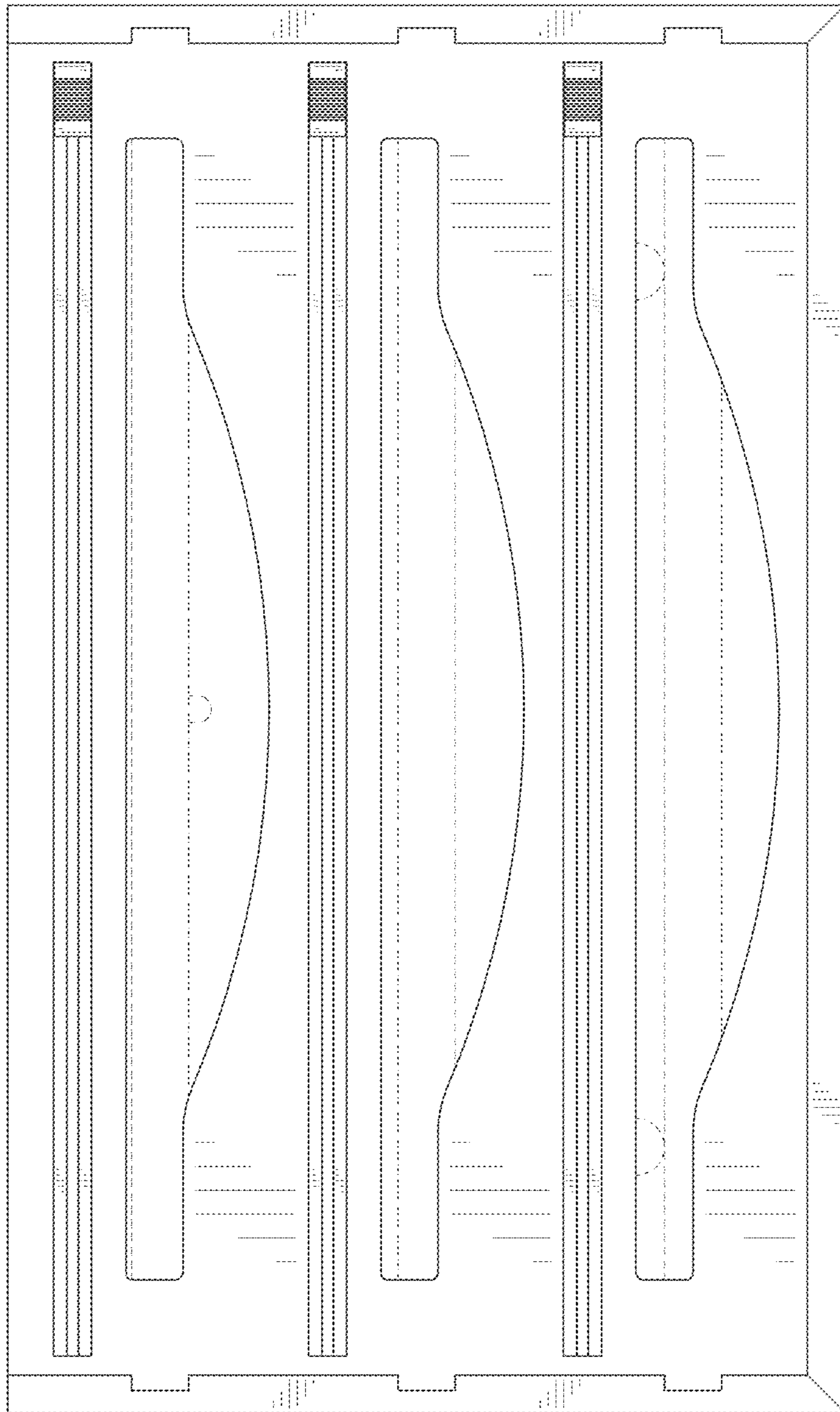


FIG. 3

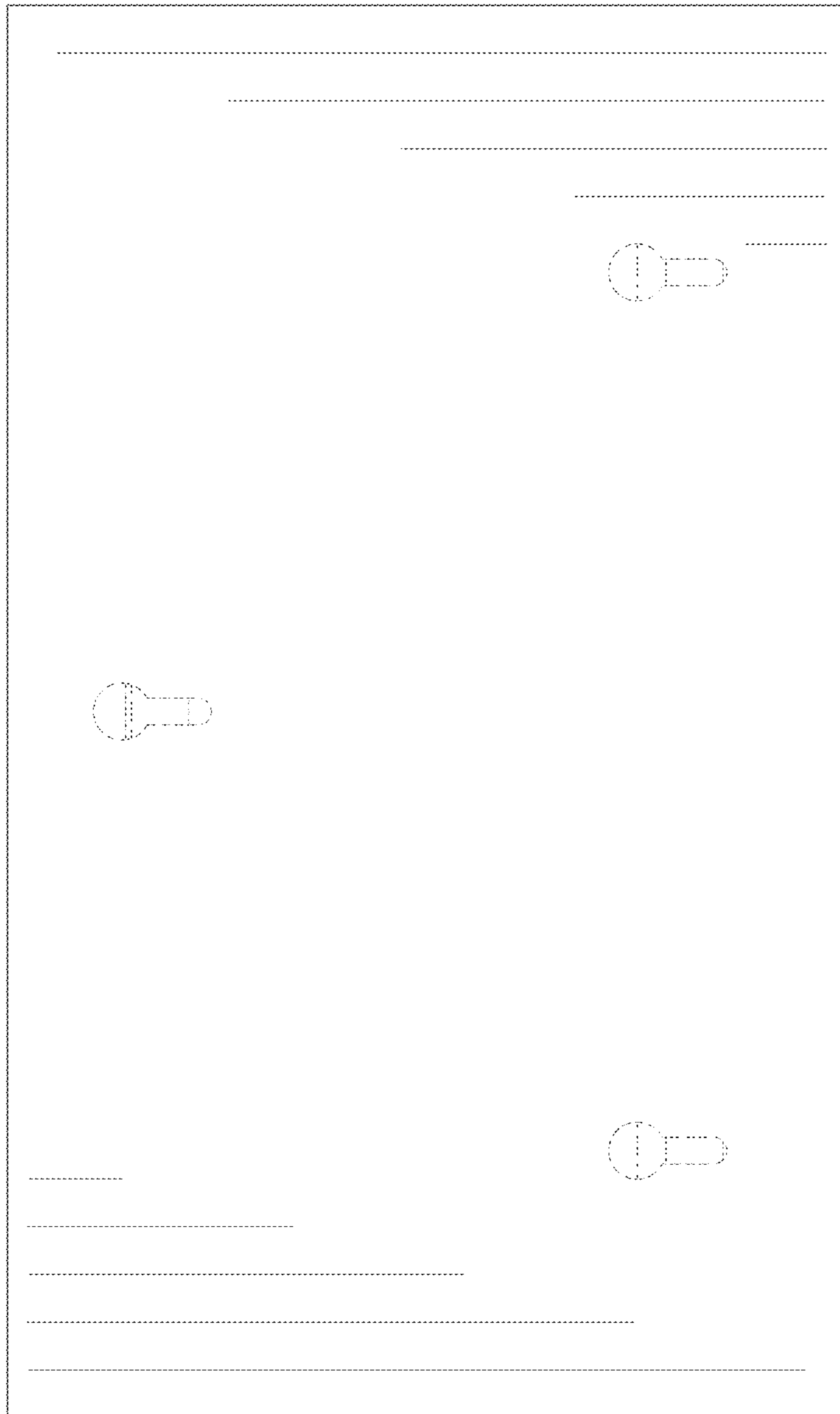


FIG. 4

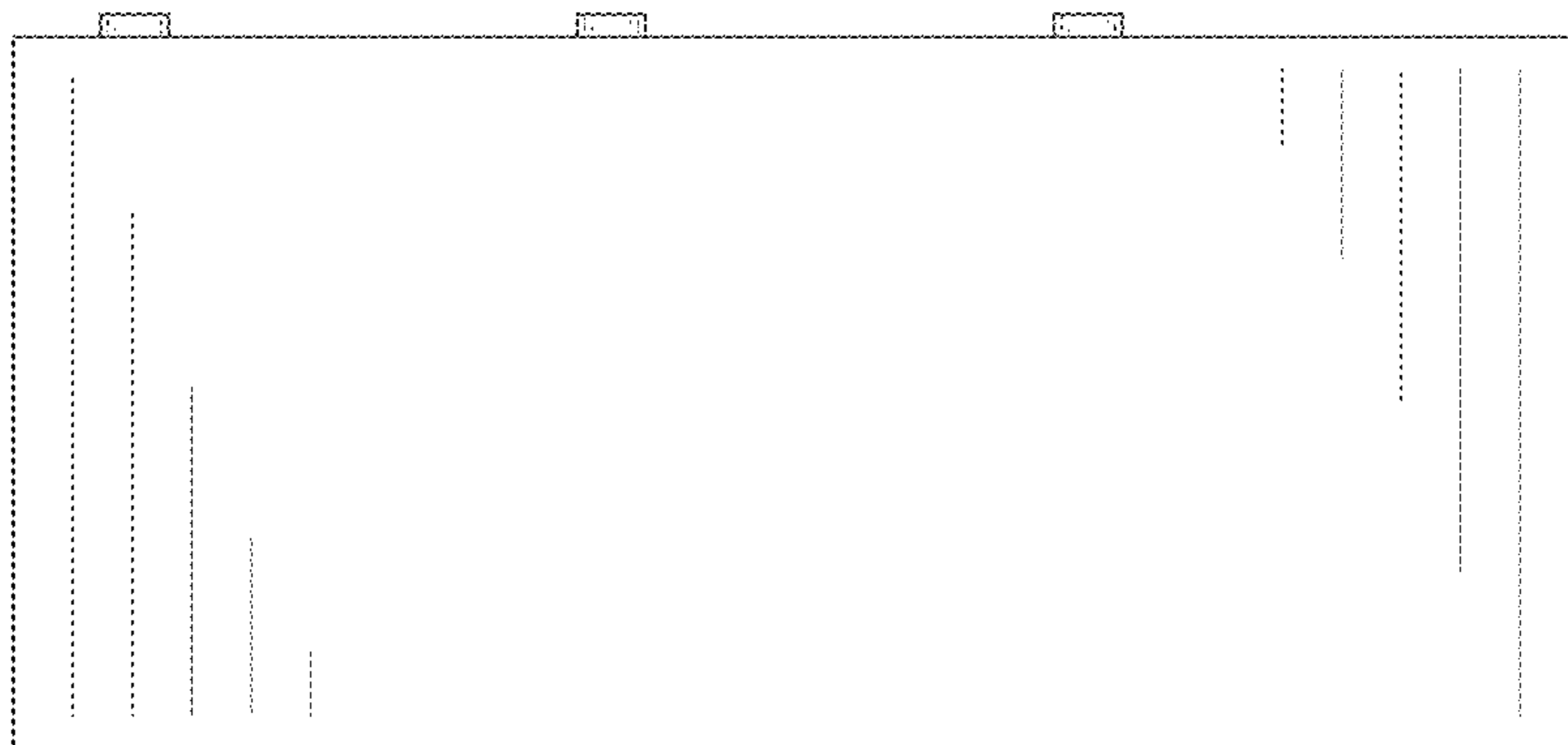


FIG. 5

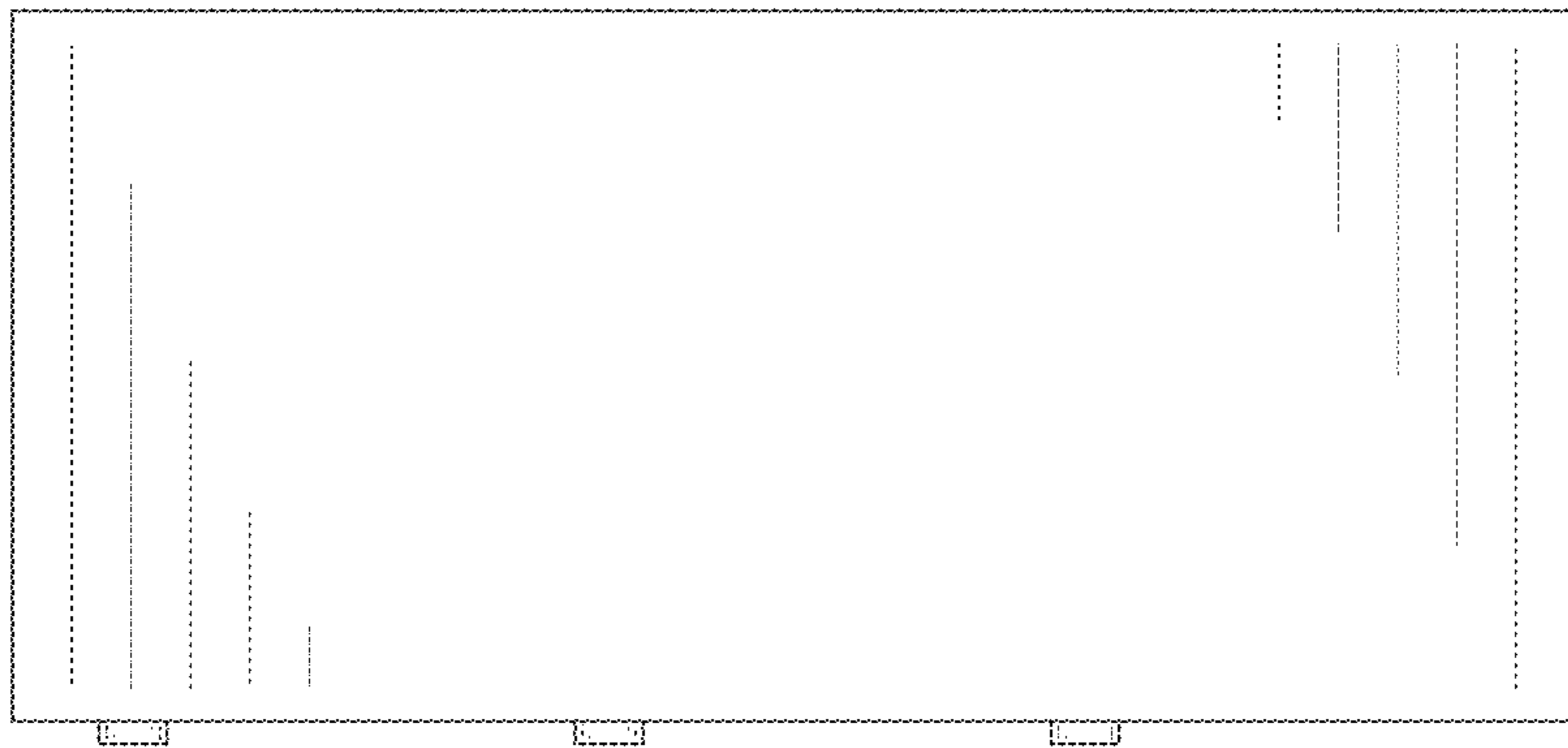


FIG. 6

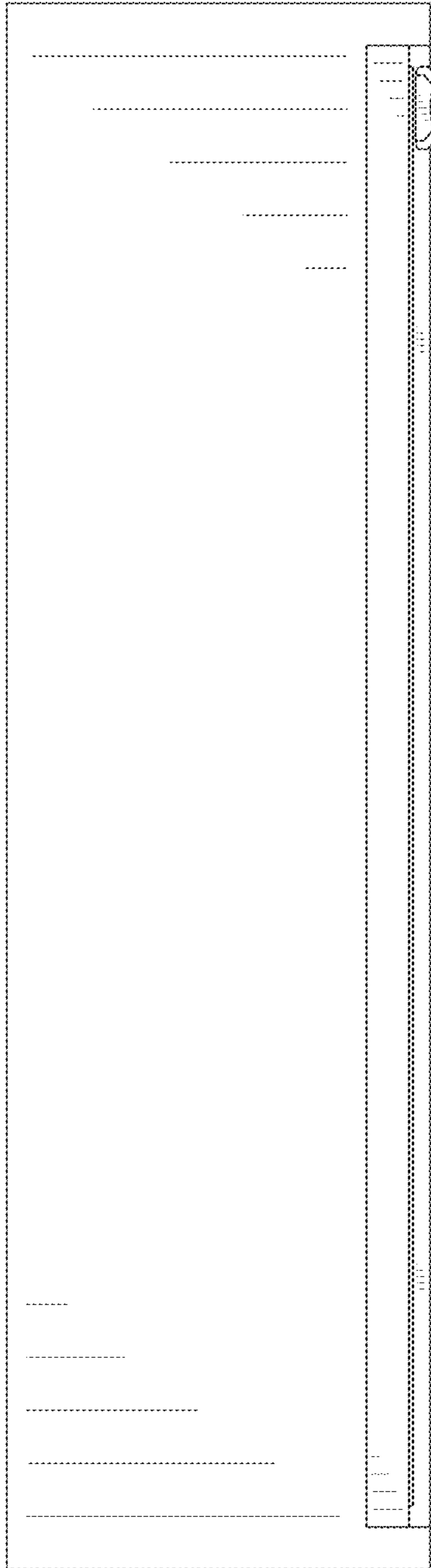


FIG. 7



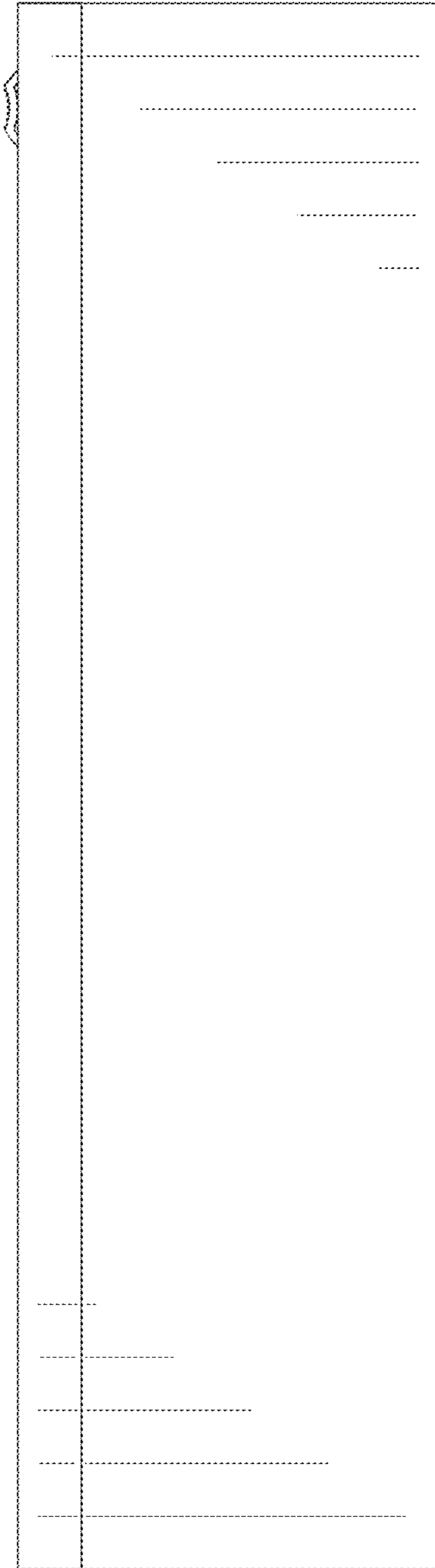


FIG. 8

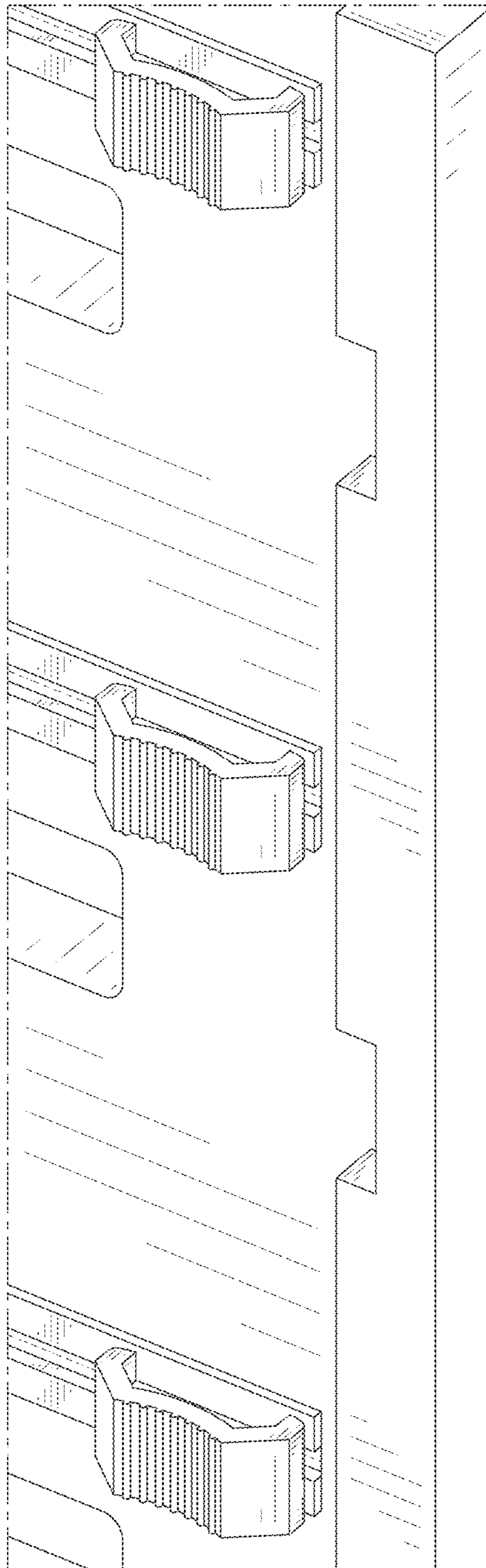


FIG. 9