



US00D967643S

(12) **United States Design Patent**
Yang

(10) **Patent No.:** **US D967,643 S**

(45) **Date of Patent:** **** Oct. 25, 2022**

(54) **BED FRAME**

2020/0022501 A1* 1/2020 Choi A47C 19/021
2020/0022503 A1* 1/2020 Choi A47C 19/126
2020/0359804 A1* 11/2020 Lee A47C 19/122

(71) Applicant: **SHENZHEN BAIYAN HOLDING CO., LTD.**, Shenzhen (CN)

(72) Inventor: **Mengsi Yang**, Shenzhen (CN)

(73) Assignee: **SHENZHEN BAIYAN HOLDING CO., LTD.**, Shenzhen (CN)

(**) Term: **15 Years**

(21) Appl. No.: **29/838,411**

(22) Filed: **May 12, 2022**

(51) **LOC (13) Cl.** **06-02**

(52) **U.S. Cl.**
USPC **D6/382**

(58) **Field of Classification Search**
USPC D6/329, 382, 383, 384, 718
CPC A47C 19/021; A47C 19/025; A47C 19/027
See application file for complete search history.

(56) **References Cited**

U.S. PATENT DOCUMENTS

D663,077 S *	7/2012	Pohl	D30/118
9,924,804 B2 *	3/2018	Hartley	A47C 23/062
D862,104 S *	10/2019	Suzuki	D6/383
D885,078 S *	5/2020	Liang	D6/392
D917,193 S *	4/2021	Shen	D6/382
D917,194 S *	4/2021	Shen	D6/382
D917,195 S *	4/2021	Shen	D6/382
D917,196 S *	4/2021	Shen	D6/382
D942,174 S *	2/2022	Yang	D6/382
D946,299 S	3/2022	Rey et al.		
D948,884 S	4/2022	Meneghello et al.		
D955,775 S *	6/2022	Leng	D6/392
2017/0065091 A1 *	3/2017	Rodgers	A47C 19/021
2017/0238715 A1 *	8/2017	Choi	F16B 12/54
2018/0192778 A1 *	7/2018	Choi	A47C 19/005

OTHER PUBLICATIONS

“Kings Brand Heavy Duty Metal Platform Bed Frame.” Found online Aug. 24, 2022 at www.amazon.com. Product first available Dec. 5, 2017. Retrieved from URL: https://www.amazon.com/dp/B077Y4Z3H7 (Year: 2017).*

“UNICOO—Metal Platform Bed Frame.” Found online Aug. 24, 2022 at www.amazon.com. Product first available Jan. 17, 2022. Retrieved from URL: https://www.amazon.com/dp/B09QK2LTRM (Year: 2022).*

(Continued)

Primary Examiner — Michael C Stout

Assistant Examiner — Katelin G Kloberg

(74) *Attorney, Agent, or Firm* — ScienBiziP, P.C.

(57) **CLAIM**

The ornamental design for a bed frame, as shown and described.

DESCRIPTION

FIG. 1 is a front, right and top perspective view of a bed frame, showing my design.

FIG. 2 is a front elevation view thereof.

FIG. 3 is a rear elevation view thereof.

FIG. 4 is a left side elevation view thereof.

FIG. 5 is a right side elevation view thereof.

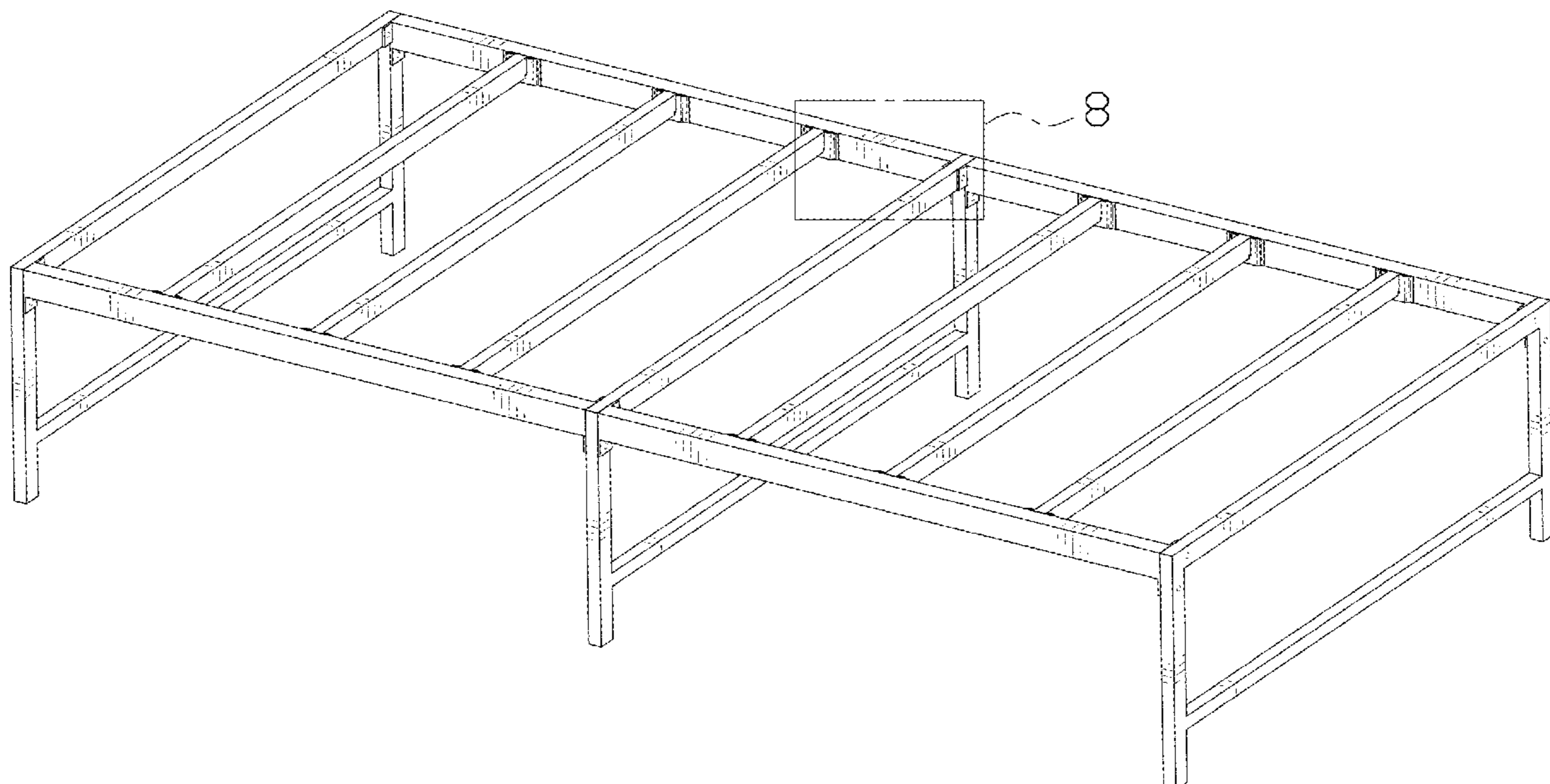
FIG. 6 is a top plan view thereof.

FIG. 7 is a bottom plan view thereof; and,

FIG. 8 is an enlarged view of detail 8 in FIG. 1.

The broken lines shown in the drawings are included for the purpose of illustrating portions of the bed frame that form no part of the claimed design.

1 Claim, 8 Drawing Sheets



(56)

References Cited

OTHER PUBLICATIONS

“Zinus Lorelei 12 inch Metal Platform Bed Frame.” Found online Aug. 24, 2022 at www.amazon.com. Product first available Jul. 28, 2017. Retrieved from URL: <https://www.amazon.com/Zinus-Lorelei-Platforma-Metal-Platform/dp/B072BCYW4K> (Year: 2017).*

“IMUsee 14-inch Metal Platform Twin Bed Frame.” Found online Aug. 24, 2022 at www.amazon.com. Product first available Jan. 21, 2022. Retrieved from URL: <https://www.amazon.com/Platform-Sufficient-Mattress-Foundation-Assembly/dp/B09B3P9H27> (Year: 2022).*

* cited by examiner

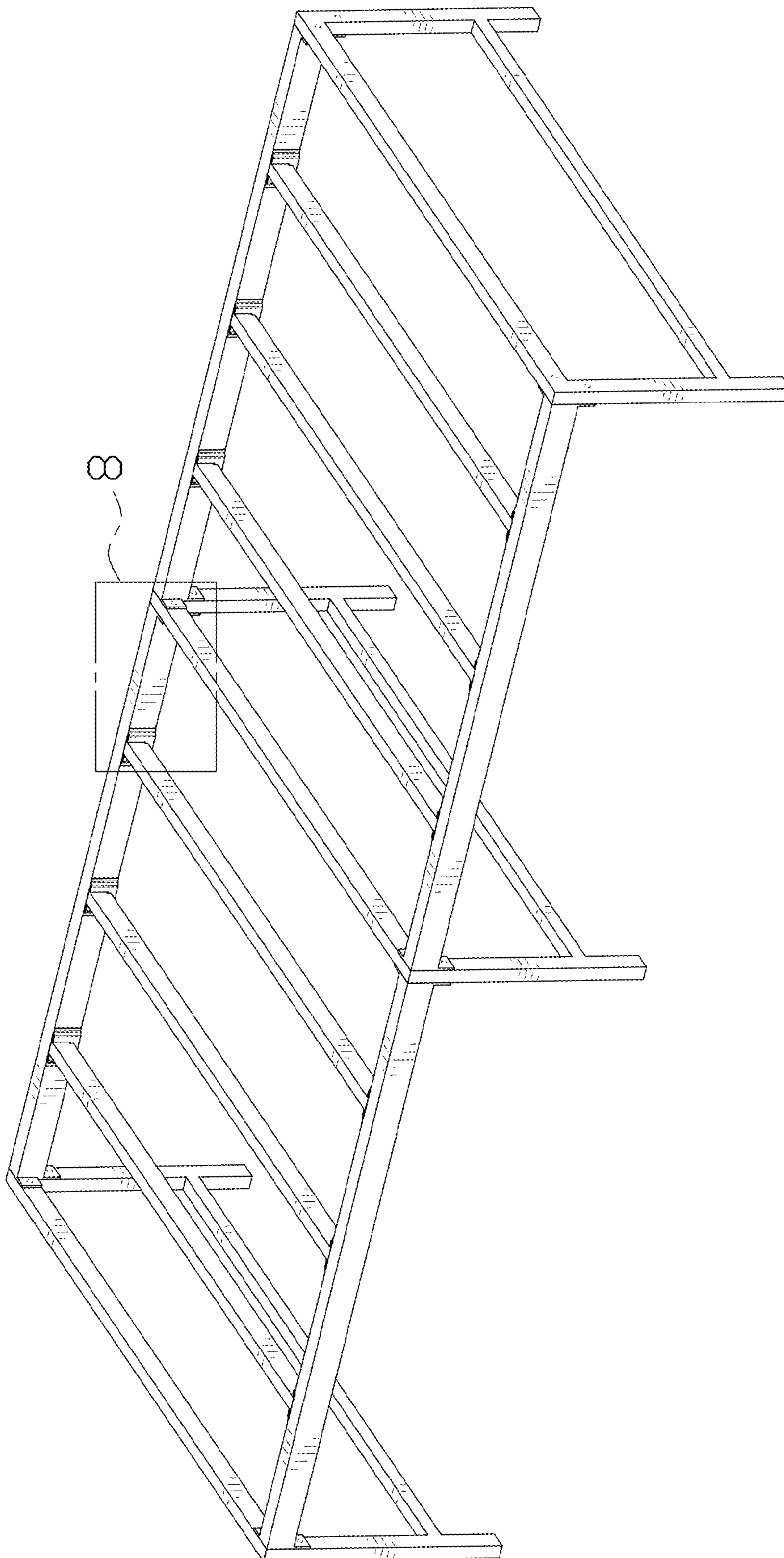


FIG. 1

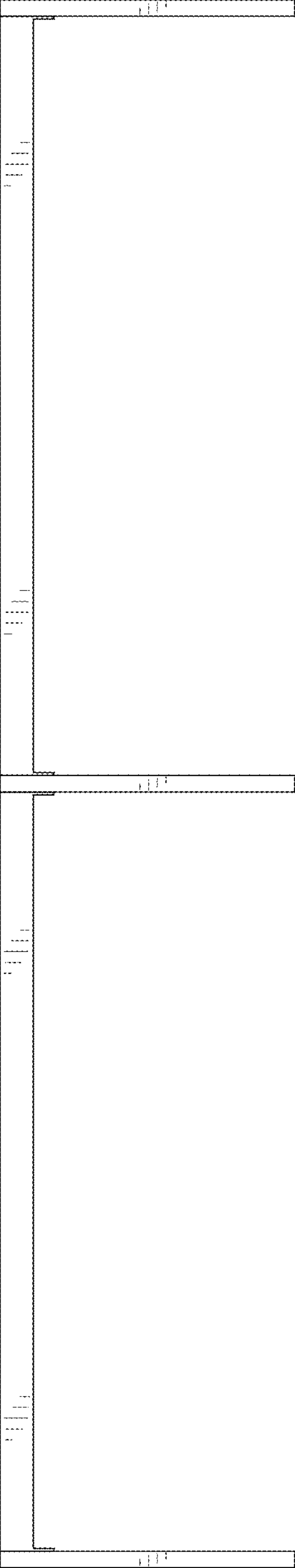


FIG. 2

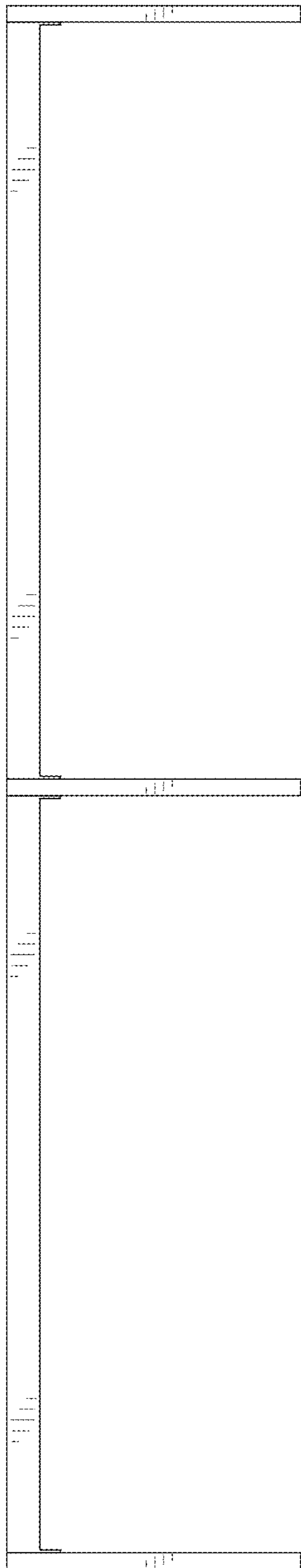


FIG. 3

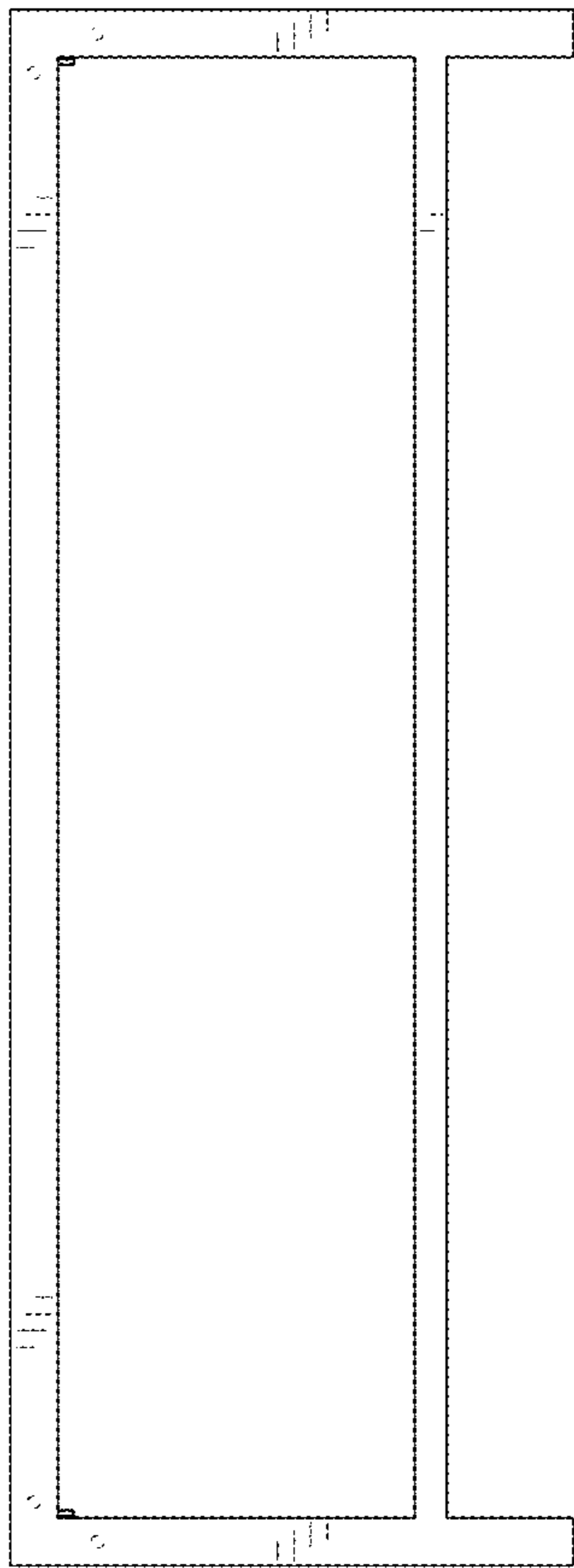


FIG. 4

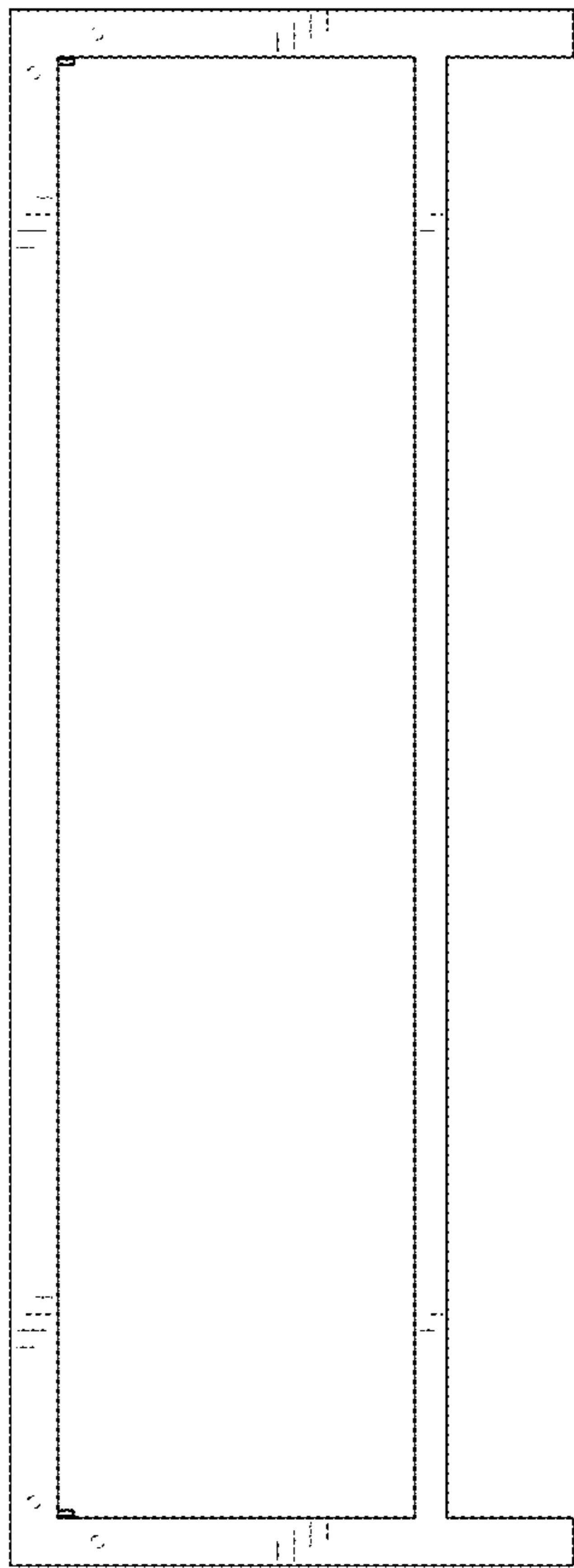


FIG. 5

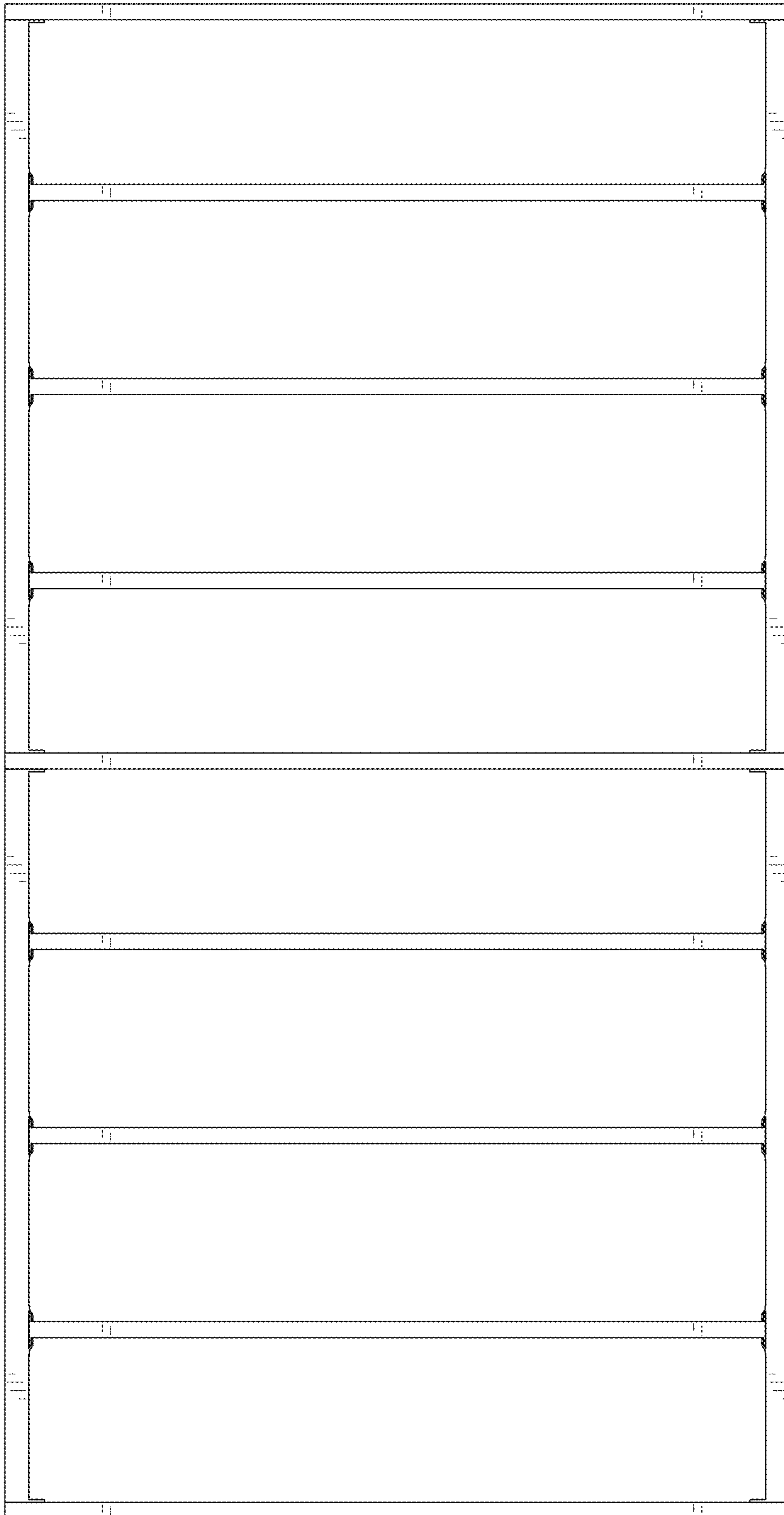


FIG. 6

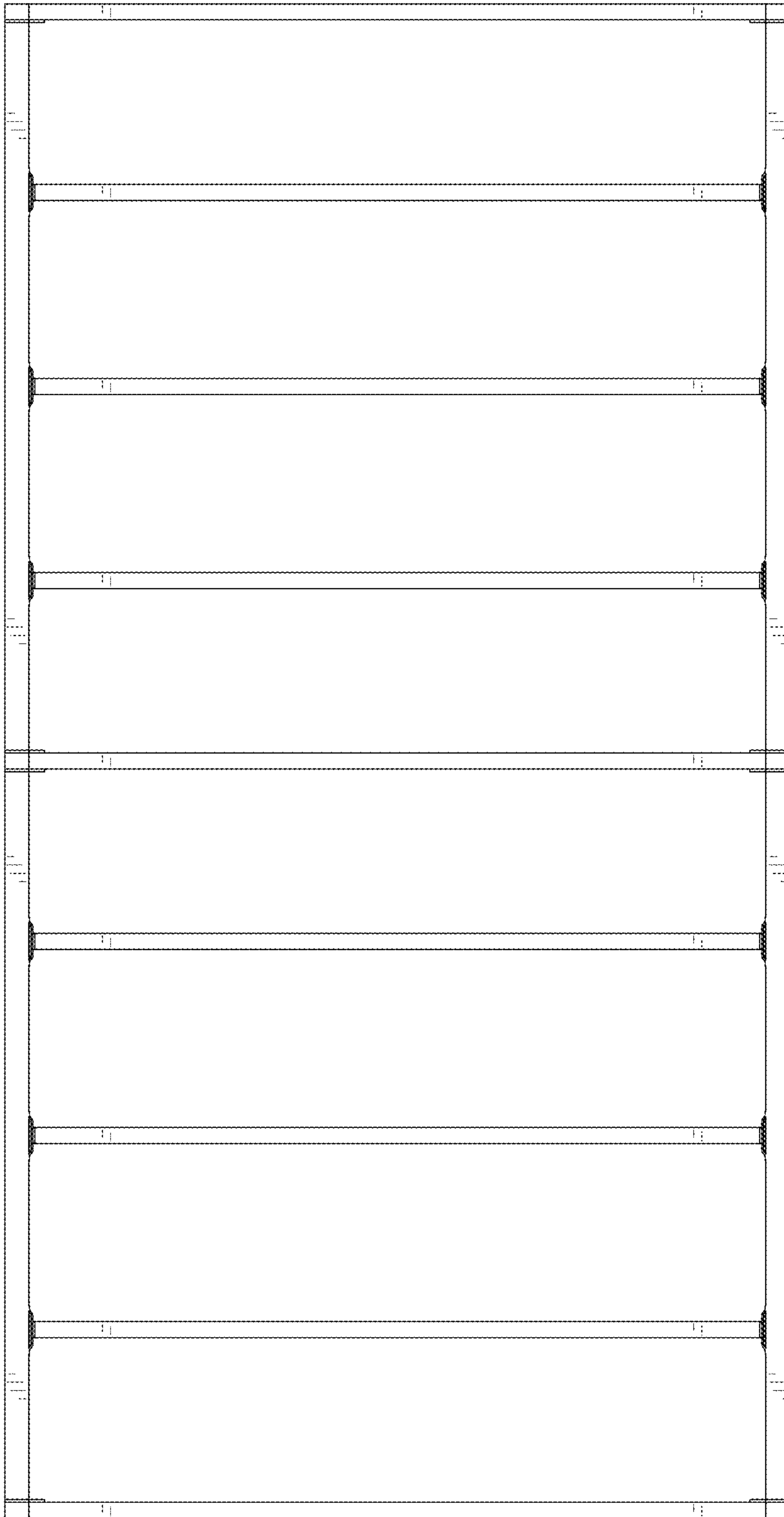


FIG. 7

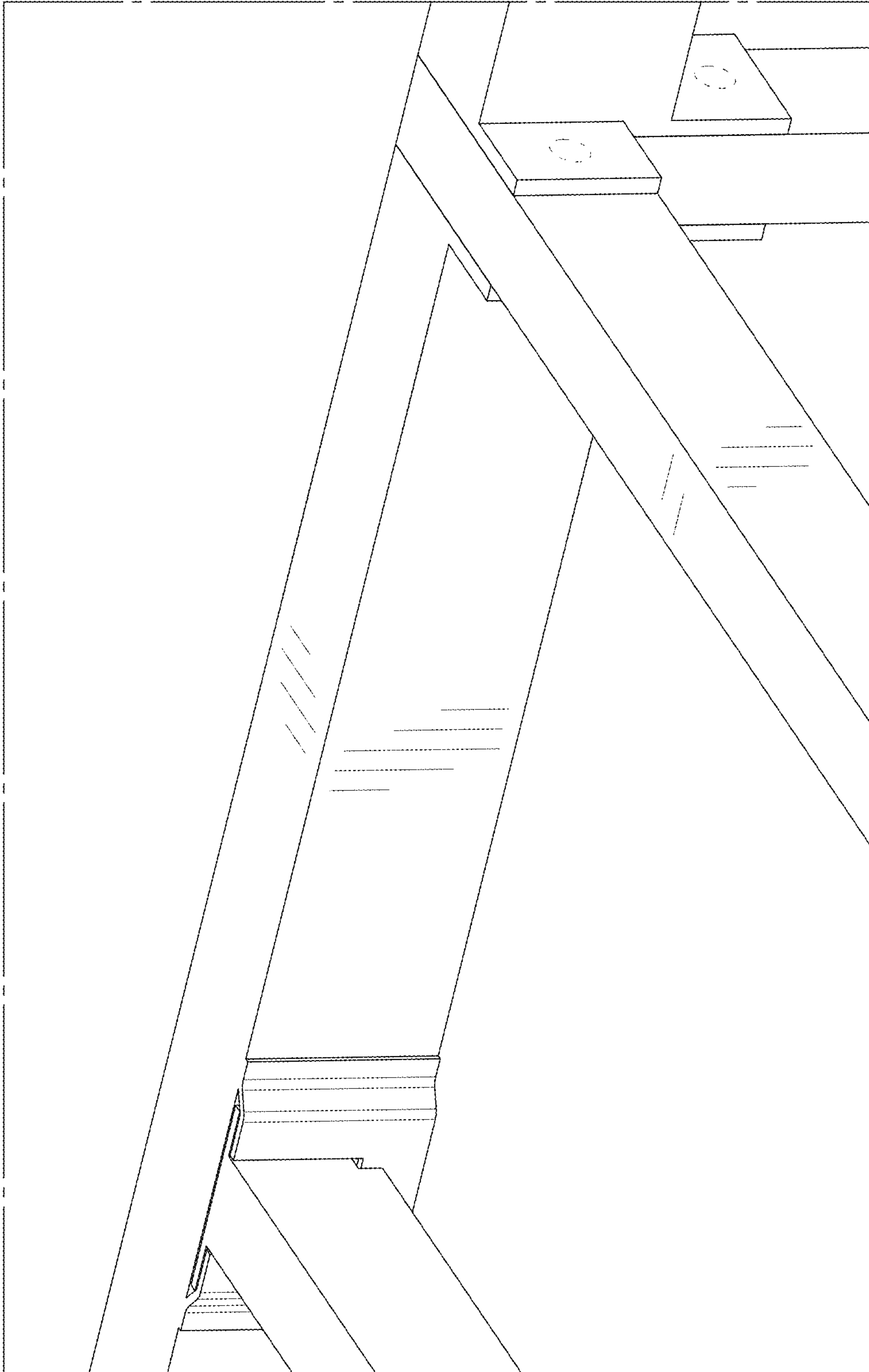


FIG. 8