



US00D967640S

(12) **United States Design Patent** (10) **Patent No.:** **US D967,640 S**
Chen (45) **Date of Patent:** **** Oct. 25, 2022**

(54) **WOBBLE STOOL**
(71) Applicant: **Chiung-Kuang Chen**, Dongguan (CN)
(72) Inventor: **Chiung-Kuang Chen**, Dongguan (CN)
(**) Term: **15 Years**
(21) Appl. No.: **29/760,787**
(22) Filed: **Dec. 3, 2020**

D764,200 S * 8/2016 Elmaleh D6/349
D801,064 S * 10/2017 Von Boetticher D6/352
D801,714 S * 11/2017 Elmaleh D6/352
D808,183 S * 1/2018 Ono D6/352
9,894,998 B2 * 2/2018 Walser A47C 3/02
D823,624 S * 7/2018 Elmaleh D6/716
D889,860 S * 7/2020 Failing D6/349
D895,990 S * 9/2020 Reyes D6/352
D901,958 S * 11/2020 Failing D6/708.2
D910,324 S * 2/2021 Tao D6/348
2018/0199719 A1 * 7/2018 Keen A47C 7/004

(30) **Foreign Application Priority Data**

Oct. 16, 2020 (CN) 202030615927.2

(51) **LOC (13) Cl.** **06-01**

(52) **U.S. Cl.**
USPC **D6/352; D6/349; D6/353**

(58) **Field of Classification Search**
USPC D6/334, 335, 336, 349, 350, 351, 353,
D6/675, 685, 355, 657, 663, 691.7, 691,
D6/352; D21/522
CPC . A01J 1/00; A01K 97/22; A47C 3/025; A47C
17/045; A47C 9/002; A47C 9/027; A47C
3/0252
See application file for complete search history.

(56) **References Cited**

U.S. PATENT DOCUMENTS

3,312,437 A * 4/1967 Barth A47C 9/025
248/188.7
5,044,587 A * 9/1991 Degen A47C 9/002
108/150
D565,313 S * 4/2008 Johnsen D6/349
D664,779 S * 8/2012 Weber A47C 9/002
D6/349
D686,829 S * 7/2013 Elmaleh D6/352
D740,041 S * 10/2015 Chadwick A47C 9/002
D6/352
D745,287 S * 12/2015 Chadwick D6/352
D746,073 S * 12/2015 Elmaleh D6/349
D748,924 S * 2/2016 Walser D6/352

OTHER PUBLICATIONS

W3 3D Stool, available in ambientdirect.com, earliest available date Oct. 4, 2019 Year 2019 [online], Retrieved on May 26, 2022 from URL: https://www.ambientdirect.com/en/wagner/w3-3d-stool_pid_1284540.html (Year: 2019).*

* cited by examiner

Primary Examiner — Vy N Koenig
Assistant Examiner — Michelle M Reeves

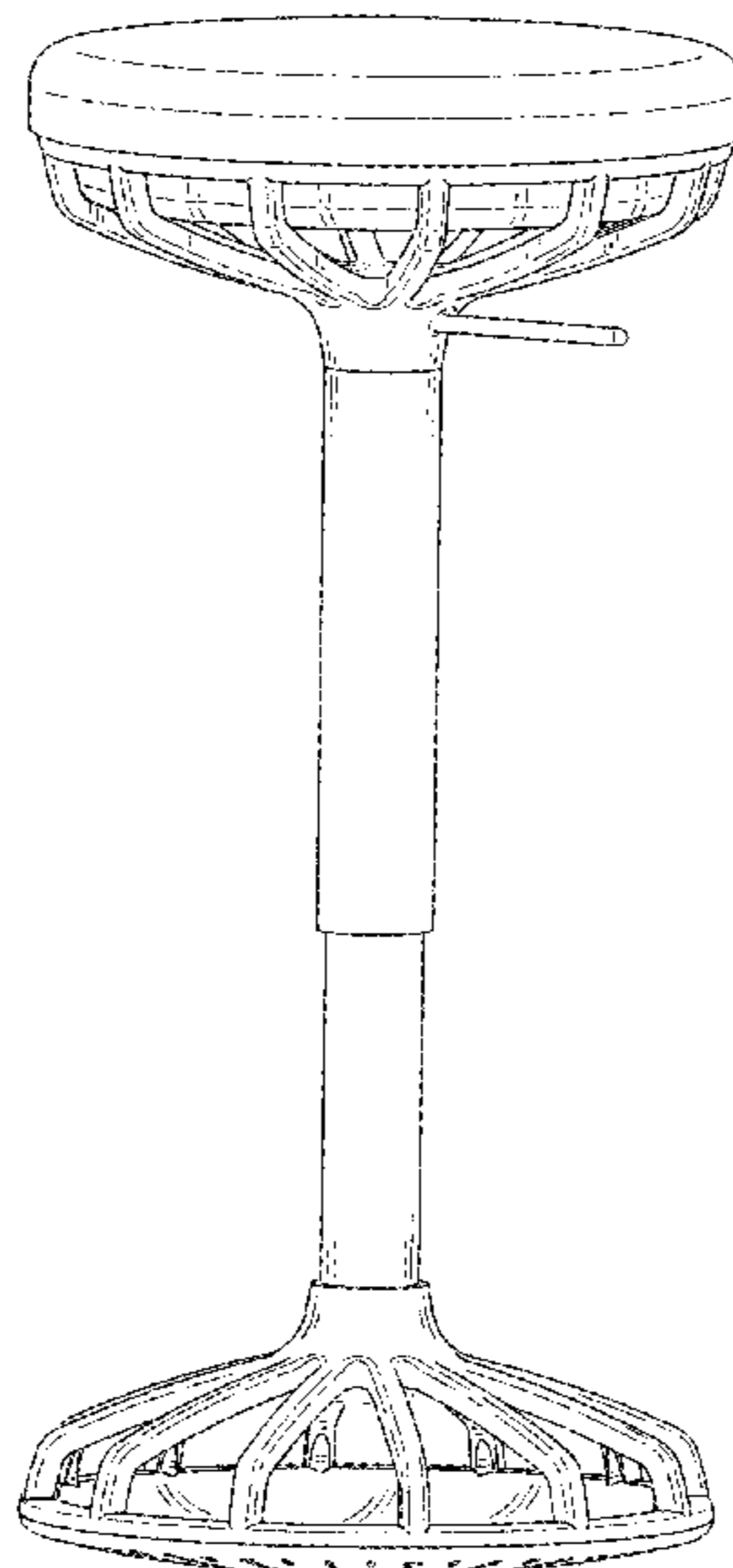
(57) **CLAIM**

The ornamental design for a wobble stool, as shown and described.

DESCRIPTION

FIG. 1 is a perspective view of wobble stool showing my new design;
FIG. 2 is a front elevational view thereof;
FIG. 3 is a rear elevational view thereof;
FIG. 4 is a left side elevational view thereof;
FIG. 5 is a right side elevational view thereof;
FIG. 6 is a top plan view thereof;
FIG. 7 is a bottom plan view thereof; and,
FIG. 8 is a bottom perspective view thereof.
The broken lines in the drawings depict portions of the wobble stool that form no part of the claimed design.

1 Claim, 8 Drawing Sheets



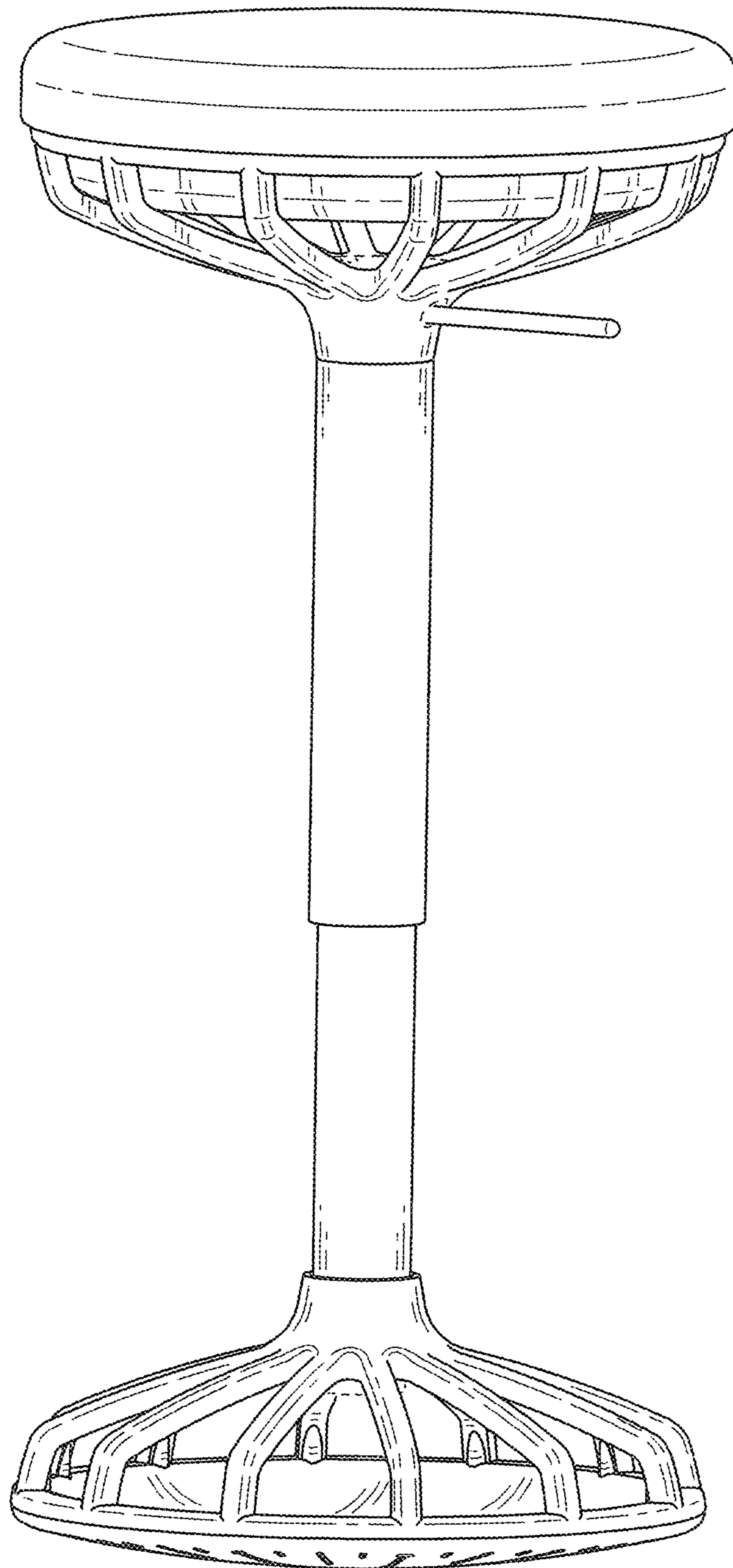


FIG. 1

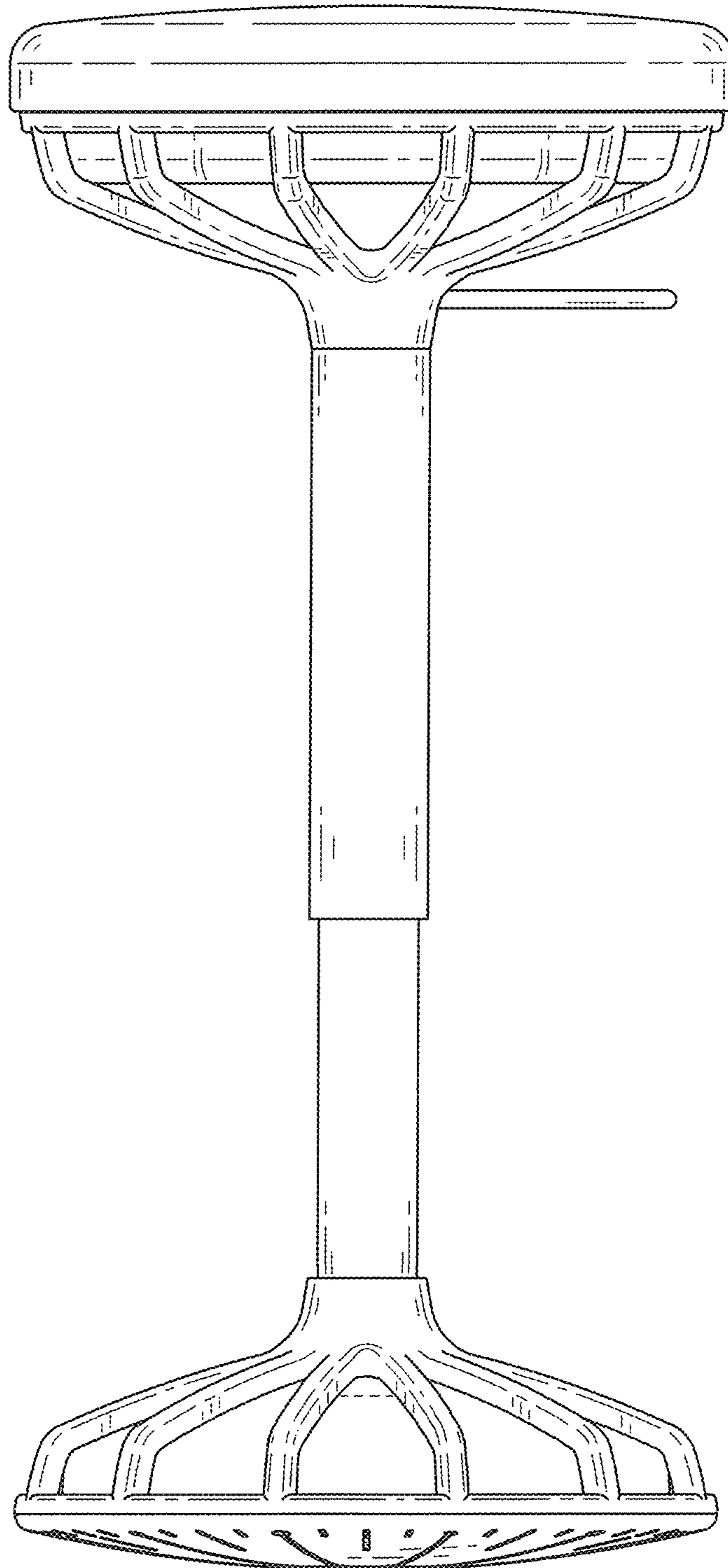


FIG. 2

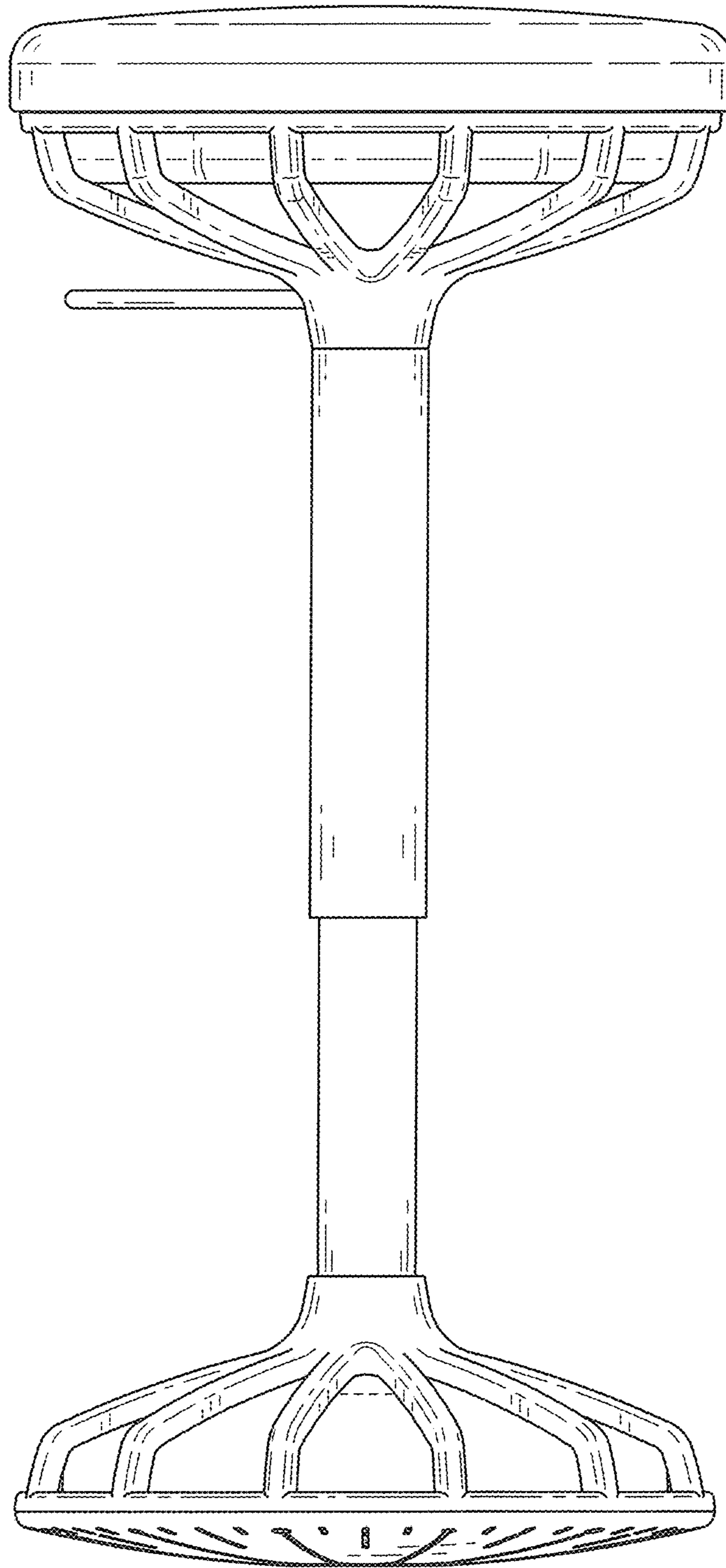


FIG. 3

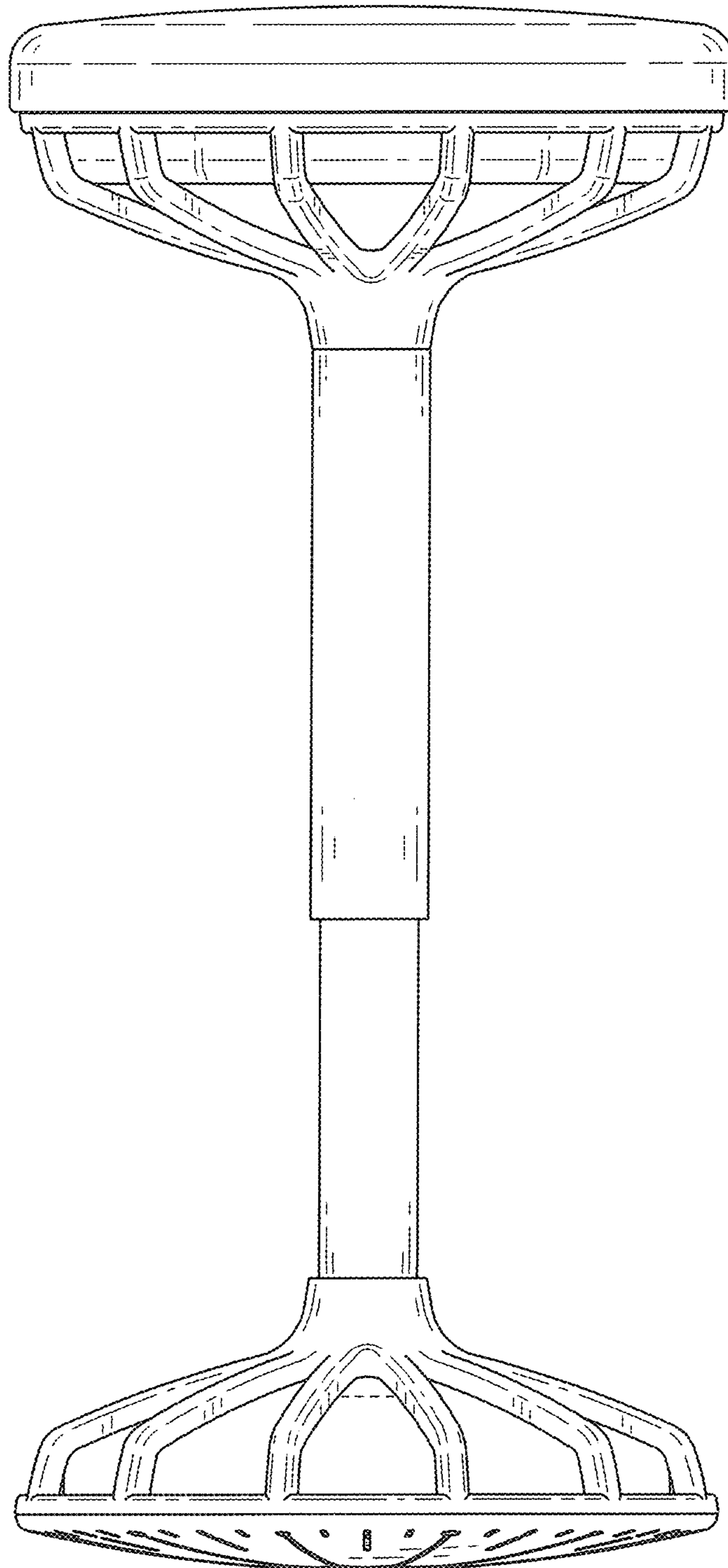


FIG. 4

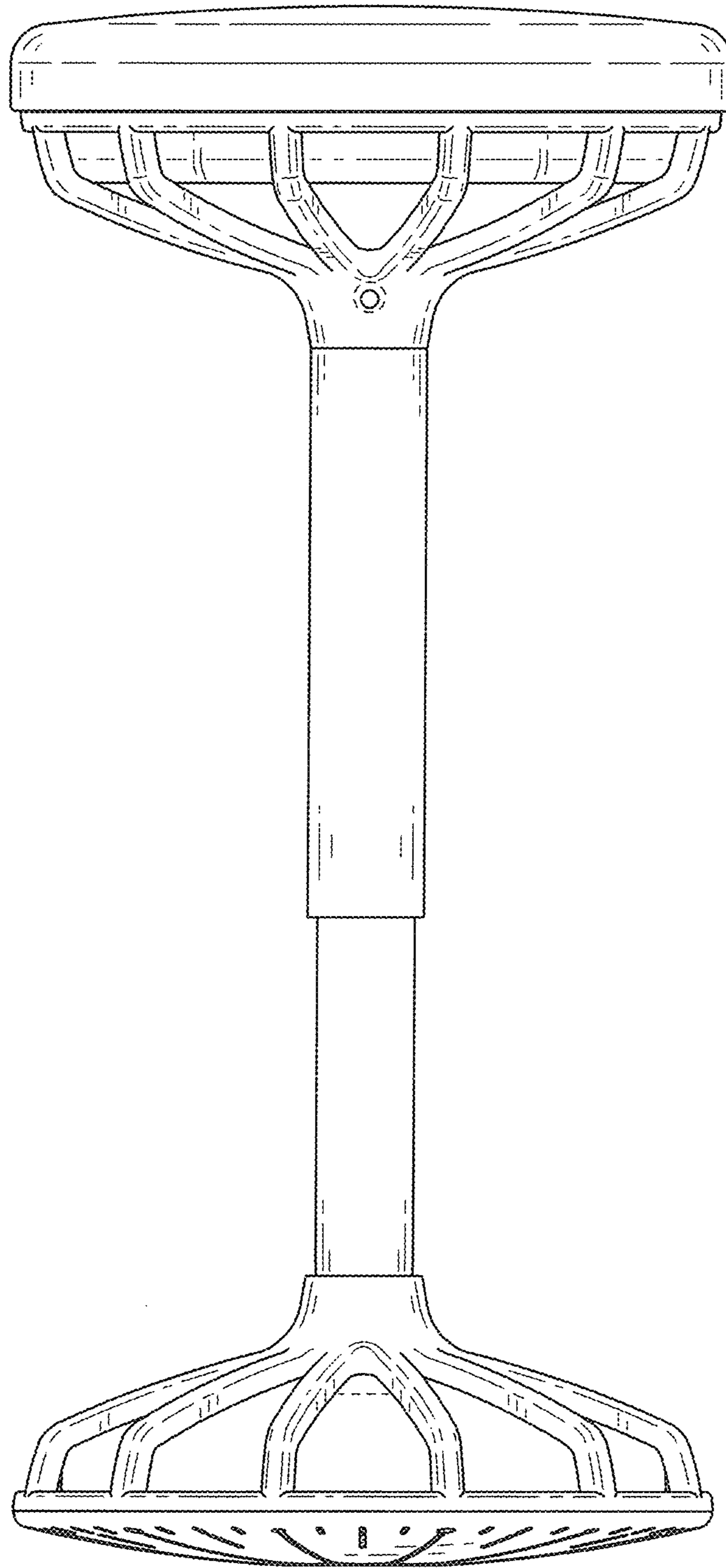


FIG. 5

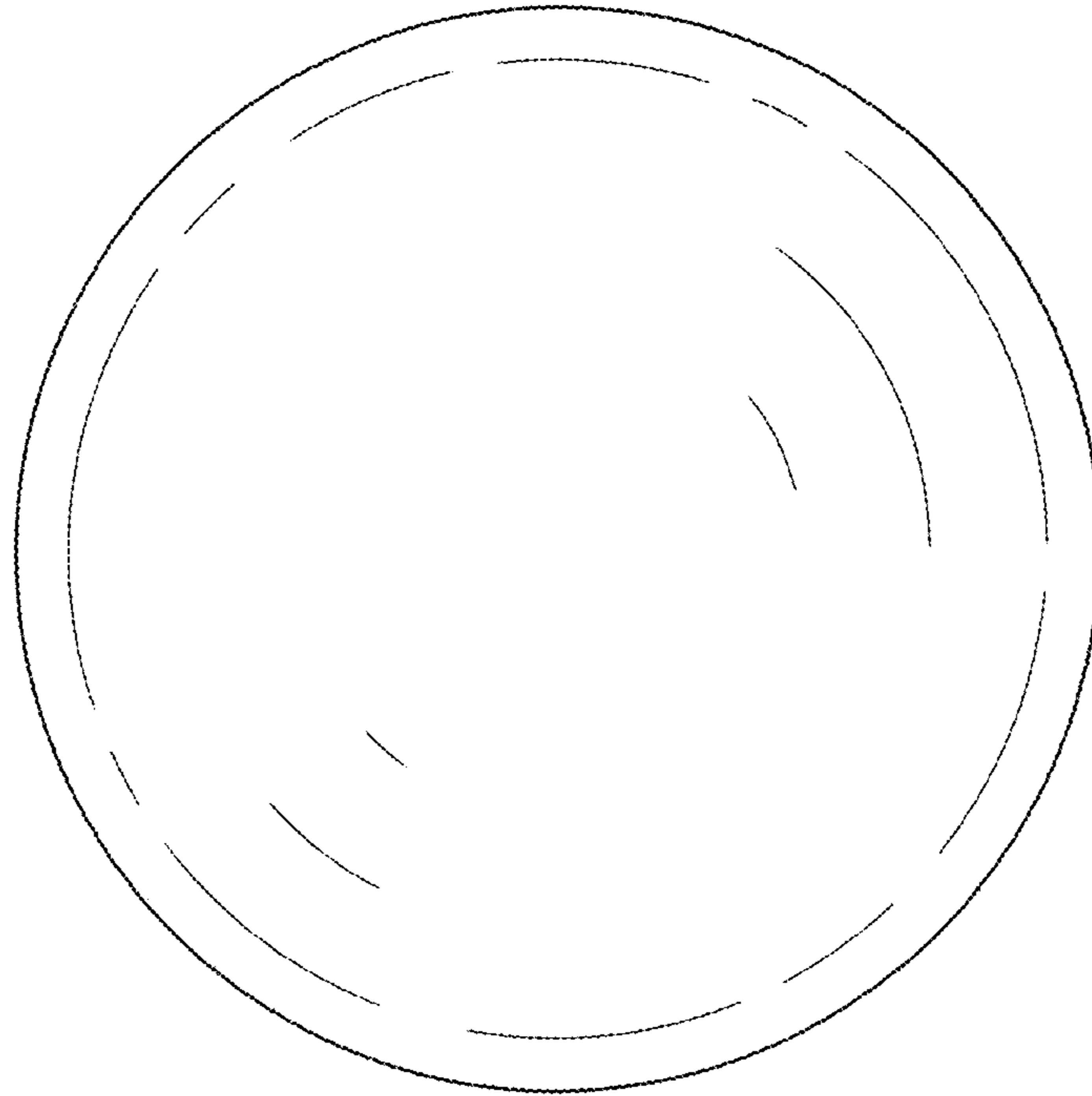


FIG. 6

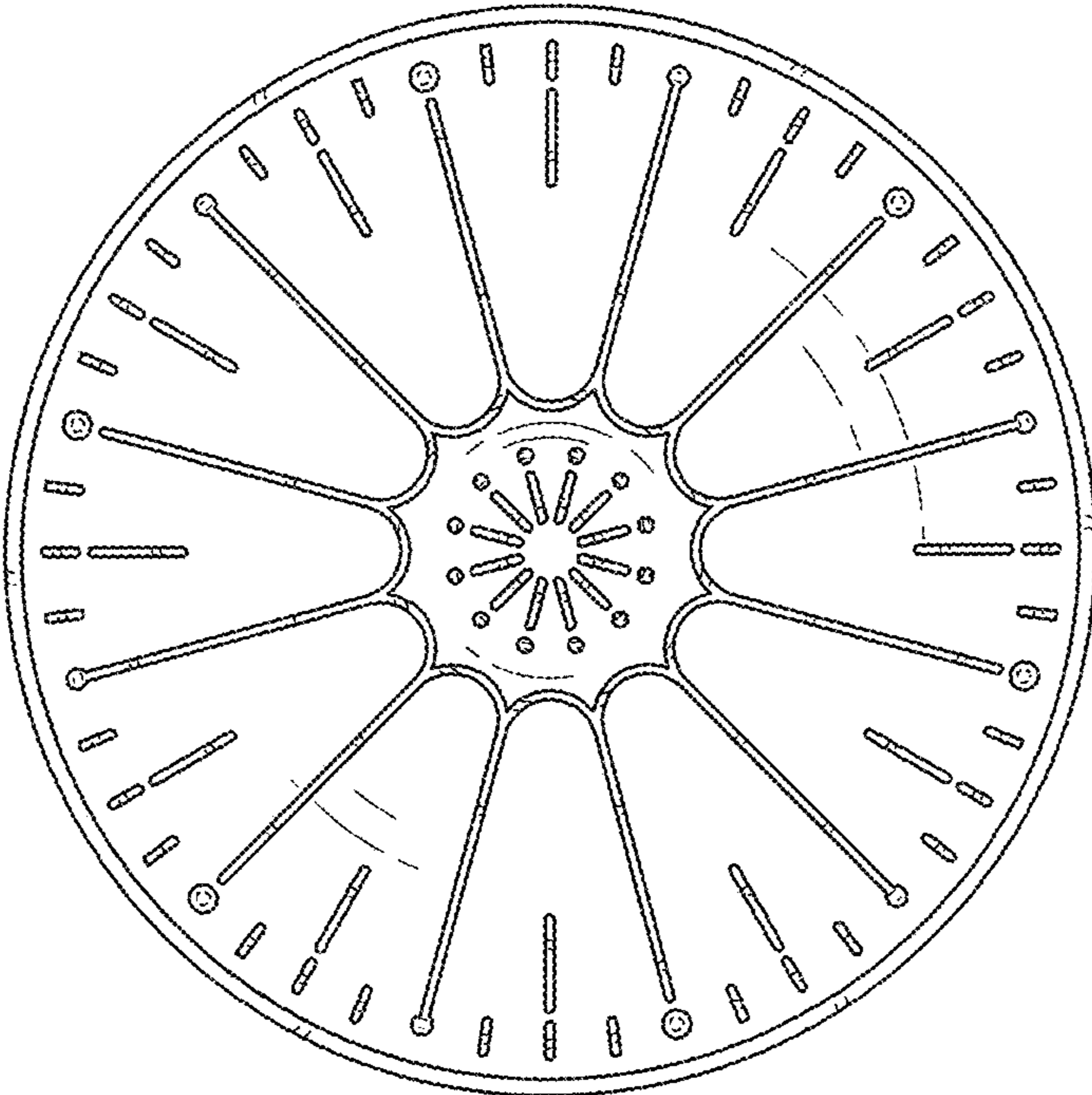


FIG. 7

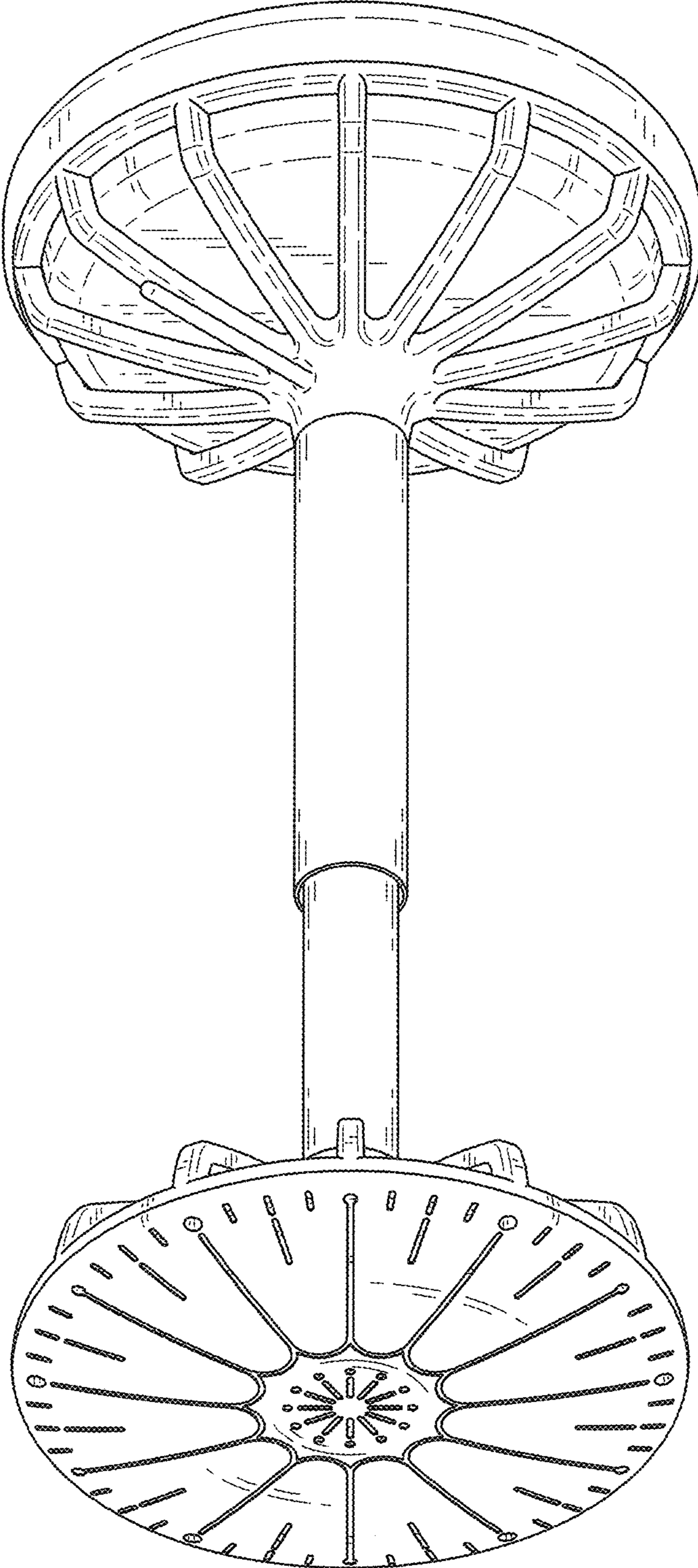


FIG. 8