



US00D967634S

(12) **United States Design Patent**  
**Simone**

(10) **Patent No.:** **US D967,634 S**  
(45) **Date of Patent:** **\*\* Oct. 25, 2022**

(54) **COMBINATION PRIVACY SHIELD AND DEVICE FOR DISPLAY, STORAGE, OR TRANSPORT OF DRAWN, WRITTEN, OR PRINTED MATERIAL**

- (71) Applicant: **HAMLA6, LLC**, Powell, OH (US)
- (72) Inventor: **Sherry D. Simone**, Powell, OH (US)
- (73) Assignee: **HAMLA6, LLC**, Powell, OH (US)
- (\*\*) Term: **15 Years**
- (21) Appl. No.: **29/715,159**
- (22) Filed: **Nov. 27, 2019**

**Related U.S. Application Data**

- (62) Division of application No. 29/627,286, filed on Nov. 25, 2017, now Pat. No. Des. 871,782.
- (51) **LOC (13) Cl.** ..... **06-06**
- (52) **U.S. Cl.**  
USPC ..... **D6/332; D20/10**
- (58) **Field of Classification Search**  
USPC ..... D6/332, 383, 672, 673, 713, 714;  
160/351; D20/10, 21, 27, 44; D19/59,  
D19/62, 64

(Continued)

(56) **References Cited**

**U.S. PATENT DOCUMENTS**

- 4,010,553 A \* 3/1977 Bennett ..... G09B 7/063  
434/338
- 4,019,943 A \* 4/1977 Holson ..... B42F 5/00  
156/227

(Continued)

**OTHER PUBLICATIONS**

3-Panel Tabletop Exhibition Board (on-line), dated Nov. 1, 2011.  
Retrieved from Internet Jan. 4, 2022, URL: <https://www.amazon.com/Displays2go-Tabletop-Exhibition-Velcro-Receptive-3P7236BKGR/dp/B00627OMZ4> (4 pages) (Year: 2011).\*

com/Displays2go-Tabletop-Exhibition-Velcro-Receptive-3P7236BKGR/dp/B00627OMZ4 (4 pages) (Year: 2011).\*

(Continued)

*Primary Examiner* — Kimberly Barnes

(74) *Attorney, Agent, or Firm* — David S. Alavi

(57) **CLAIM**

The ornamental design for a combination privacy shield and device for display, storage, or transport of drawn, written, or printed material, as shown and described.

**DESCRIPTION**

FIG. 1 is a perspective view of a combination privacy shield and device for display, storage, or transport of drawn, written, or printed material showing my new design in a position of use as a display device.

FIG. 2 is a front view thereof.

FIG. 3 is a back view thereof.

FIG. 4 is a top view thereof.

FIG. 5 is a bottom view thereof.

FIG. 6 is a left side view thereof.

FIG. 7 is a right side view thereof.

FIG. 8 is a cross-sectional view taken along line 8-8 in FIG. 2.

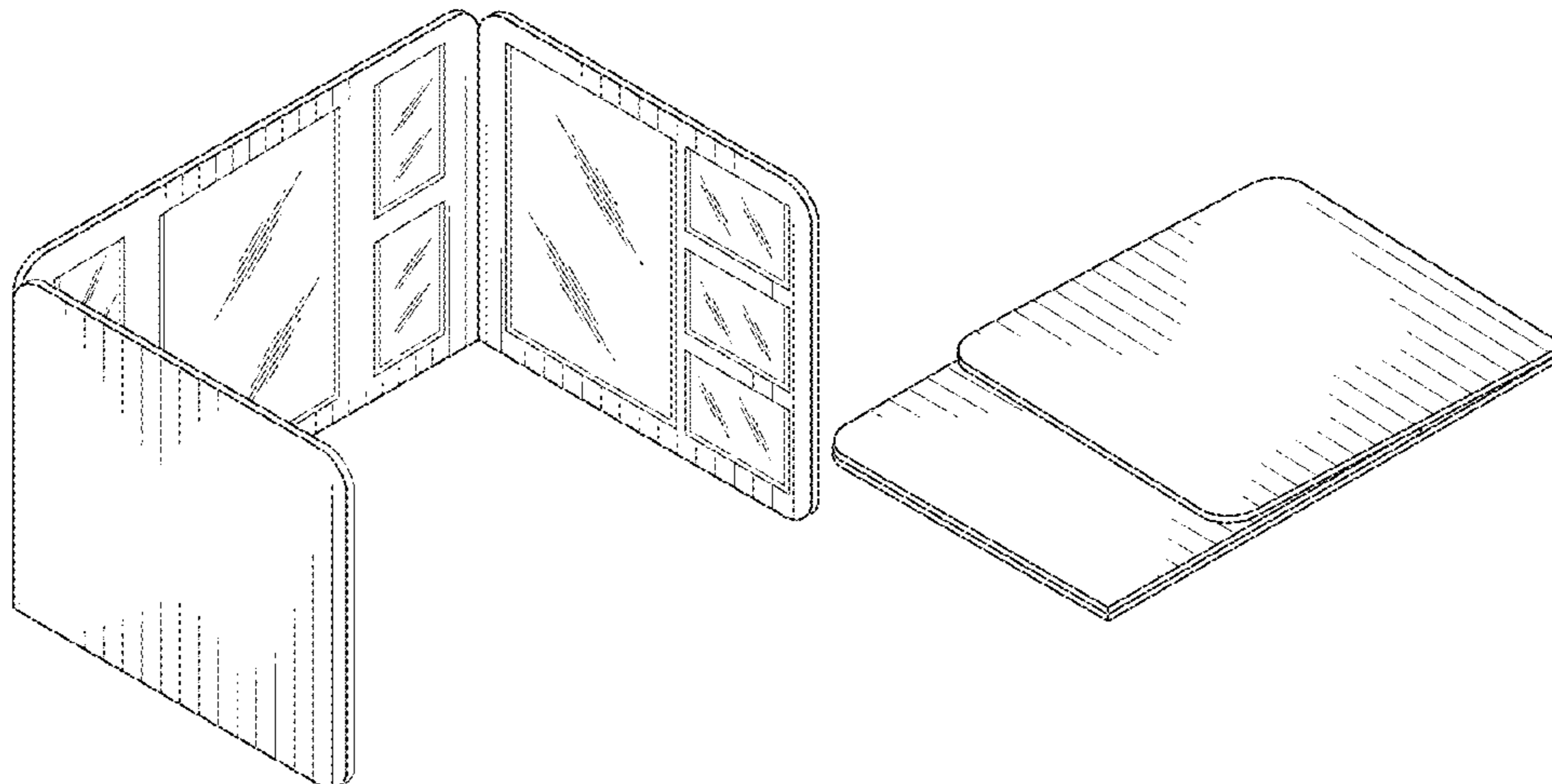
FIG. 9 is a cross-sectional view taken along line 9-9 in FIG. 3.

FIG. 10 is a perspective view of the combination privacy shield and device for display, storage, or transport of drawn, written, or printed material in a closed, folded arrangement. FIG. 11 is a perspective view of the combination privacy shield and device for display, storage, or transport of drawn, written, or printed material in a position of use as a display device.

FIG. 12 is a perspective view of the combination privacy shield and device for display, storage, or transport of drawn, written, or printed material in an open, flat arrangement.

FIGS. 13 and 14 are perspective views of the combination privacy shield and device for display, storage, or transport of drawn, written, or printed material in an open, flat arrangement showing a handle. The broken lines depict portions of the combination privacy shield and device for display,

(Continued)



storage, or transport of drawn, written, or printed material that form no part of the claimed design.

FIG. 15 is a perspective view of the combination privacy shield and device for display, storage, or transport of drawn, written, or printed material in a closed, folded arrangement showing a closure member. The broken lines depict portions of the combination privacy shield and device for display, storage, or transport of drawn, written, or printed material that form no part of the claimed design.

FIG. 16 is another cross-sectional view taken along line 9-9 in FIG. 3, showing sheets displayed in display pockets. The broken lines in the drawings depicting sheets represent environmental subject matter that forms no part of the claimed design.

FIG. 17 is another front view of FIG. 2, showing sheets displayed in the display pockets. The broken lines in the drawings depicting sheets represent environmental subject matter that forms no part of the claimed design.

FIG. 18 is another cross-sectional view taken along line 8-8 in FIG. 2, showing sheets displayed in the display pockets. The broken lines in the drawings depicting sheets represent environmental subject matter that forms no part of the claimed design.

FIG. 19 is a front view of an alternate design of a middle panel of the design shown in FIGS. 1-12.

FIGS. 20, 21, and 22 are cross-sectional views, taken along line 8-8 in FIG. 2, of alternate designs of a right panel of the design shown in FIGS. 1-12; and,

FIGS. 23, 24, and 25 are cross-sectional views, taken along line 9-9 in FIG. 3, of alternate designs of a left panel of the design shown in FIGS. 1-12.

A first embodiment of the claimed design, or a mirror image thereof, includes the middle panel of FIG. 2, the left panel of FIG. 9, and the right panel of FIG. 8.

A second embodiment of the claimed design, or a mirror image thereof, includes the middle panel of FIG. 2, the left panel of FIG. 9, and the right panel of FIG. 20.

A third embodiment of the claimed design, or a mirror image thereof, includes the middle panel of FIG. 2, the left panel of FIG. 9, and the right panel of FIG. 21.

A fourth embodiment of the claimed design, or a mirror image thereof, includes the middle panel of FIG. 2, the left panel of FIG. 9, and the right panel of FIG. 22.

A fifth embodiment of the claimed design, or a mirror image thereof, includes the middle panel of FIG. 2, the left panel of FIG. 23, and the right panel of FIG. 8.

A sixth embodiment of the claimed design, or a mirror image thereof, includes the middle panel of FIG. 2, the left panel of FIG. 23, and the right panel of FIG. 20.

A seventh embodiment of the claimed design, or a mirror image thereof, includes the middle panel of FIG. 2, the left panel of FIG. 23, and the right panel of FIG. 21.

An eighth embodiment of the claimed design, or a mirror image thereof, includes the middle panel of FIG. 2, the left panel of FIG. 23, and the right panel of FIG. 22.

A ninth embodiment of the claimed design, or a mirror image thereof, includes the middle panel of FIG. 2, the left panel of FIG. 24, and the right panel of FIG. 8.

A tenth embodiment of the claimed design, or a mirror image thereof, includes the middle panel of FIG. 2, the left panel of FIG. 24, and the right panel of FIG. 20.

An eleventh embodiment of the claimed design, or a mirror image thereof, includes the middle panel of FIG. 2, the left panel of FIG. 24, and the right panel of FIG. 21.

A twelfth embodiment of the claimed design, or a mirror image thereof, includes the middle panel of FIG. 2, the left panel of FIG. 24, and the right panel of FIG. 22.

A thirteenth embodiment of the claimed design, or a mirror image thereof, includes the middle panel of FIG. 2, the left panel of FIG. 25, and the right panel of FIG. 8.

A fourteenth embodiment of the claimed design, or a mirror image thereof, includes the middle panel of FIG. 2, the left panel of FIG. 25, and the right panel of FIG. 20.

A fifteenth embodiment of the claimed design, or a mirror image thereof, includes the middle panel of FIG. 2, the left panel of FIG. 25, and the right panel of FIG. 21.

A sixteenth embodiment of the claimed design, or a mirror image thereof, includes the middle panel of FIG. 2, the left panel of FIG. 25, and the right panel of FIG. 22.

A seventeenth embodiment of the claimed design, or a mirror image thereof, includes the middle panel of FIG. 19, the left panel of FIG. 9, and the right panel of FIG. 8.

An eighteenth embodiment of the claimed design, or a mirror image thereof, includes the middle panel of FIG. 19, the left panel of FIG. 9, and the right panel of FIG. 20.

A nineteenth embodiment of the claimed design, or a mirror image thereof, includes the middle panel of FIG. 19, the left panel of FIG. 9, and the right panel of FIG. 21.

A twentieth embodiment of the claimed design, or a mirror image thereof, includes the middle panel of FIG. 19, the left panel of FIG. 9, and the right panel of FIG. 22.

A twenty-first embodiment of the claimed design, or a mirror image thereof, includes the middle panel of FIG. 19, the left panel of FIG. 23 and the right panel of FIG. 8.

A twenty-second embodiment of the claimed design, or a mirror image thereof, includes the middle panel of FIG. 19, the left panel of FIG. 23, and the right panel of FIG. 20.

A twenty-third embodiment of the claimed design, or a mirror image thereof, includes the middle panel of FIG. 19, the left panel of FIG. 23, and the right panel of FIG. 21.

A twenty-fourth embodiment of the claimed design, or a mirror image thereof, includes the middle panel of FIG. 19, the left panel of FIG. 23, and the right panel of FIG. 22.

A twenty-fifth embodiment of the claimed design, or a mirror image thereof, includes the middle panel of FIG. 19, the left panel of FIG. 24, and the right panel of FIG. 8.

A twenty-sixth embodiment of the claimed design, or a mirror image thereof, includes the middle panel of FIG. 19, the left panel of FIG. 24, and the right panel of FIG. 20.

A twenty-seventh embodiment of the claimed design, or a mirror image thereof, includes the middle panel of FIG. 19, the left panel of FIG. 24, and the right panel of FIG. 21.

A twenty-eighth embodiment of the claimed design, or a mirror image thereof, includes the middle panel of FIG. 19, the left panel of FIG. 24, and the right panel of FIG. 22.

A twenty-ninth embodiment of the claimed design, or a mirror image thereof, includes the middle panel of FIG. 19, the left panel of FIG. 25, and the right panel of FIG. 8.

A thirtieth embodiment of the claimed design, or a mirror image thereof, includes the middle panel of FIG. 19, the left panel of FIG. 25, and the right panel of FIG. 20.

A thirty-first embodiment of the claimed design, or a mirror image thereof, includes the middle panel of FIG. 19, the left panel of FIG. 25, and the right panel of FIG. 21.

A thirty-second embodiment of the claimed design, or a mirror image thereof, includes the middle panel of FIG. 19, the left panel of FIG. 25, and the right panel of FIG. 22.

**1 Claim, 12 Drawing Sheets**

(58) **Field of Classification Search**

CPC ..... A47B 2200/12; A47B 2200/0071; A47B 2220/13; A47B 83/001; E04B 2/7416; E04B 2/7427; A47G 5/00; G09F 1/04; G09F 1/06; G09F 1/10; G09F 5/00; G09F 5/02; G09F 5/042; G09F 15/0056

See application file for complete search history.

(56) **References Cited**

U.S. PATENT DOCUMENTS

|            |      |         |                     |                          |
|------------|------|---------|---------------------|--------------------------|
| 4,771,557  | A *  | 9/1988  | Bowman .....        | B31D 1/0075<br>40/594    |
| 4,981,152  | A    | 1/1991  | Laurent             |                          |
| 5,025,581  | A    | 6/1991  | Polzin              |                          |
| 5,269,524  | A *  | 12/1993 | Womack .....        | A63F 3/0023<br>273/157 R |
| 5,316,404  | A    | 5/1994  | Hensel              |                          |
| D352,140   | S    | 11/1994 | Easton              |                          |
| D357,707   | S    | 4/1995  | Moore               |                          |
| 5,425,555  | A *  | 6/1995  | Beange .....        | B42F 7/065<br>283/107    |
| D386,793   | S    | 11/1997 | Haas                |                          |
| D394,675   | S    | 5/1998  | Haas                |                          |
| 5,890,782  | A    | 4/1999  | Alberts             |                          |
| 5,960,848  | A    | 10/1999 | Schirer             |                          |
| 5,984,092  | A *  | 11/1999 | Heard-Willmon ..... | A45C 13/02<br>206/232    |
| D421,051   | S *  | 2/2000  | Jahn .....          | D19/33                   |
| D451,958   | S    | 12/2001 | Walch               |                          |
| 6,694,650  | B2 * | 2/2004  | Brown .....         | G09F 1/10<br>40/124.2    |
| 6,767,215  | B2   | 7/2004  | Robertson           |                          |
| 7,040,899  | B2   | 5/2006  | Armstrong           |                          |
| 7,225,573  | B2   | 6/2007  | Shaffer             |                          |
| D557,867   | S    | 12/2007 | Northrop            |                          |
| D560,072   | S    | 1/2008  | Willis              |                          |
| D591,794   | S    | 5/2009  | Laass               |                          |
| D612,631   | S    | 3/2010  | Pazhoor             |                          |
| D616,667   | S    | 6/2010  | Pazhoor             |                          |
| 7,823,309  | B2   | 11/2010 | Albenda             |                          |
| D653,880   | S    | 2/2012  | Polidoros           |                          |
| D705,357   | S    | 5/2014  | Markos              |                          |
| 8,936,278  | B2 * | 1/2015  | Salter .....        | B42C 13/00<br>281/31     |
| 9,129,537  | B1   | 9/2015  | Lorenzini           |                          |
| D763,605   | S    | 8/2016  | Bridger             |                          |
| D805,398   | S *  | 12/2017 | Torchin .....       | D9/737                   |
| D817,650   | S    | 5/2018  | Bauer               |                          |
| D848,159   | S *  | 5/2019  | Hiyoshi .....       | D6/332                   |
| D848,160   | S *  | 5/2019  | Hiyoshi .....       | D6/332                   |
| 10,403,175 | B2 * | 9/2019  | Dashe .....         | G09B 29/001              |

|              |      |         |                   |                       |
|--------------|------|---------|-------------------|-----------------------|
| D871,782     | S *  | 1/2020  | Simone .....      | D6/332                |
| 10,600,344   | B1 * | 3/2020  | Lorenzini .....   | G09F 1/06             |
| 10,639,541   | B1 * | 5/2020  | Hoback .....      | A63F 3/0695           |
| 10,726,749   | B1 * | 7/2020  | Narcisse .....    | B43L 1/00             |
| D893,618     | S *  | 8/2020  | Coore-Widener ... | B43K 23/001<br>D19/62 |
| D916,317     | S *  | 4/2021  | Butler .....      | D25/48.5              |
| 11,160,376   | B2 * | 11/2021 | Gass .....        | A47B 83/04            |
| 2003/0203340 | A1   | 10/2003 | Kees              |                       |
| 2005/0183639 | A1   | 8/2005  | O'Leary           |                       |
| 2005/0206155 | A1   | 9/2005  | Porreca           |                       |
| 2006/0162666 | A1   | 7/2006  | Mitchell          |                       |
| 2007/0011921 | A1   | 1/2007  | Wheeler           |                       |
| 2009/0250495 | A1 * | 10/2009 | Sonnier .....     | B60R 11/06<br>224/401 |
| 2011/0239505 | A1   | 10/2011 | Fink              |                       |
| 2012/0227299 | A1   | 9/2012  | Bauer             |                       |
| 2017/0301269 | A1   | 10/2017 | Grigsby           |                       |
| 2018/0225995 | A1   | 8/2018  | Dashe             |                       |
| 2021/0319729 | A1 * | 10/2021 | Burke .....       | G09F 15/0018          |

OTHER PUBLICATIONS

Better Bulletin Boards, Feb. 8, 2011, <http://betterbulletinboards.btogspot.com/2011/02/>.

Really Good Stuff LLC; desktop privacy shields <https://www.reallygoodstuff.com/really-good-stuff-privacy-shields-single-color-high-gloss/p/163235/> (available for purchase prior to Nov. 25, 2017).

Really Good Stuff LLC; printed desktop privacy shields <https://www.reallygoodstuff.com/work-offices-for-third-grade/p/163275/> (available for purchase prior to Nov. 25, 2017)—Cited in Parent.

Really Good Stuff LLC; privacy shield work office; <https://www.reallygoodstuff.com/privacy-shield-work-office/p/165129/> (to inventor's knowledge Not available for purchase prior to Nov. 25, 2017)—Cited in Parent.

Really Good Stuff LLC; Math And Reading Center Work Office Kit; <https://www.reallygoodstuff.com/math-and-reading-center-work-office-kit-grade-1/p/165106/> (to inventor's knowledge not available for purchase prior to Nov. 25, 2017)—Cited in Parent.

Simone, Sherry D.; co-owned design U.S. Appl. No. 29/627,286, filed Nov. 25, 2017.

Simone, Sherry D.; co-owned U.S. Appl. No. 16/195,789, filed Nov. 19, 2018.

Elmer's 36x48 Tri fold Corrugate Project Display Board (on-line), dated Nov. 29, 2014. Retrieved from Internet Apr. 12, 2019, URL: <https://web.archive.org/web/20141129042440/https://www.target.com/p/elmer-s-36x48-trifold-corrugate-project-display-board/-/A-15058099> (1 page) (Year: 2014)—Cited in Parent.

Dry brass Magnetic Classroom Display Board (on-line), dated Aug. 18, 2017. Retrieved from Internet Apr. 12, 2019, URL: <https://web.archive.org/web/20170818201108/https://www.orientaltrading.com/dry-erase-magnetic-classroom-display-board-a2-13758195.fitr?categoryId=551443> (1 page) (Year: 2017)—Cited in Parent.

Deluxe Privacy Shield (on-line), dated May 16, 2016. Retrieved from Internet Apr. 12, 2019, URL: <https://web.archive.org/web/20160516180545/https://www.reallygoodstuff.com/deluxe-privacy-shield/p/158073/tab/k8/> (1 page) (Year: 2016)—Cited in Parent.

\* cited by examiner

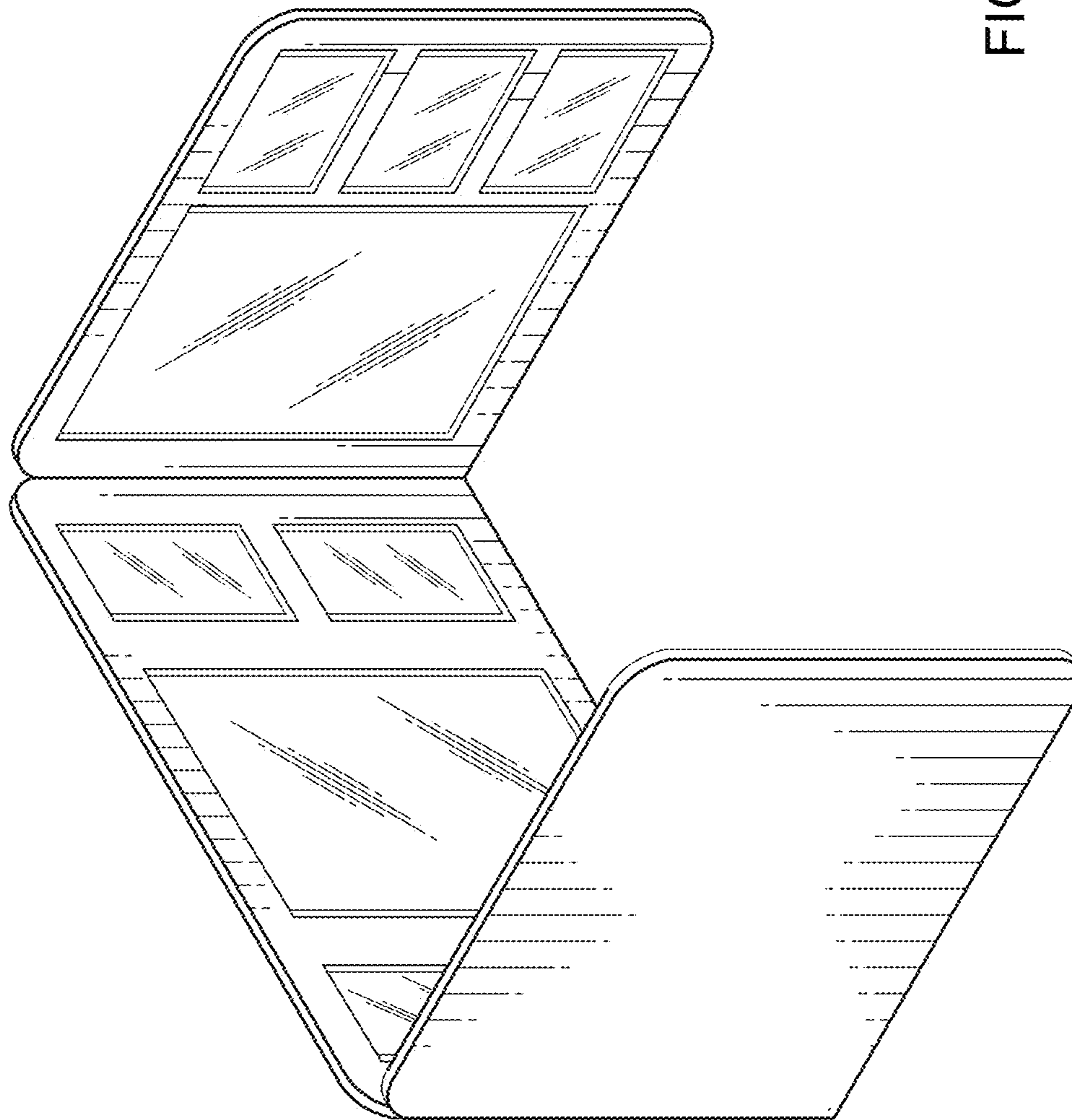


FIG. 1

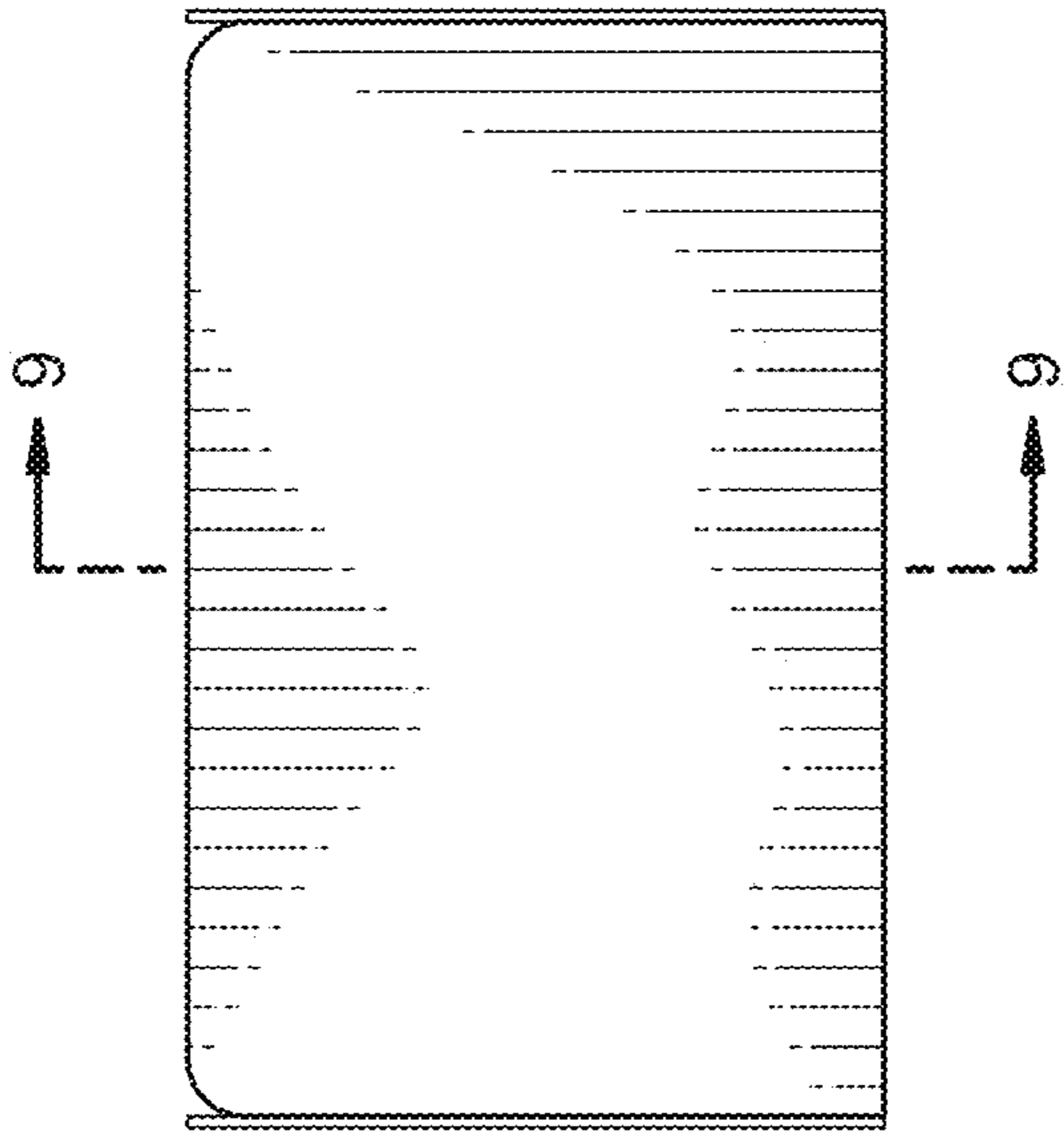


FIG. 3

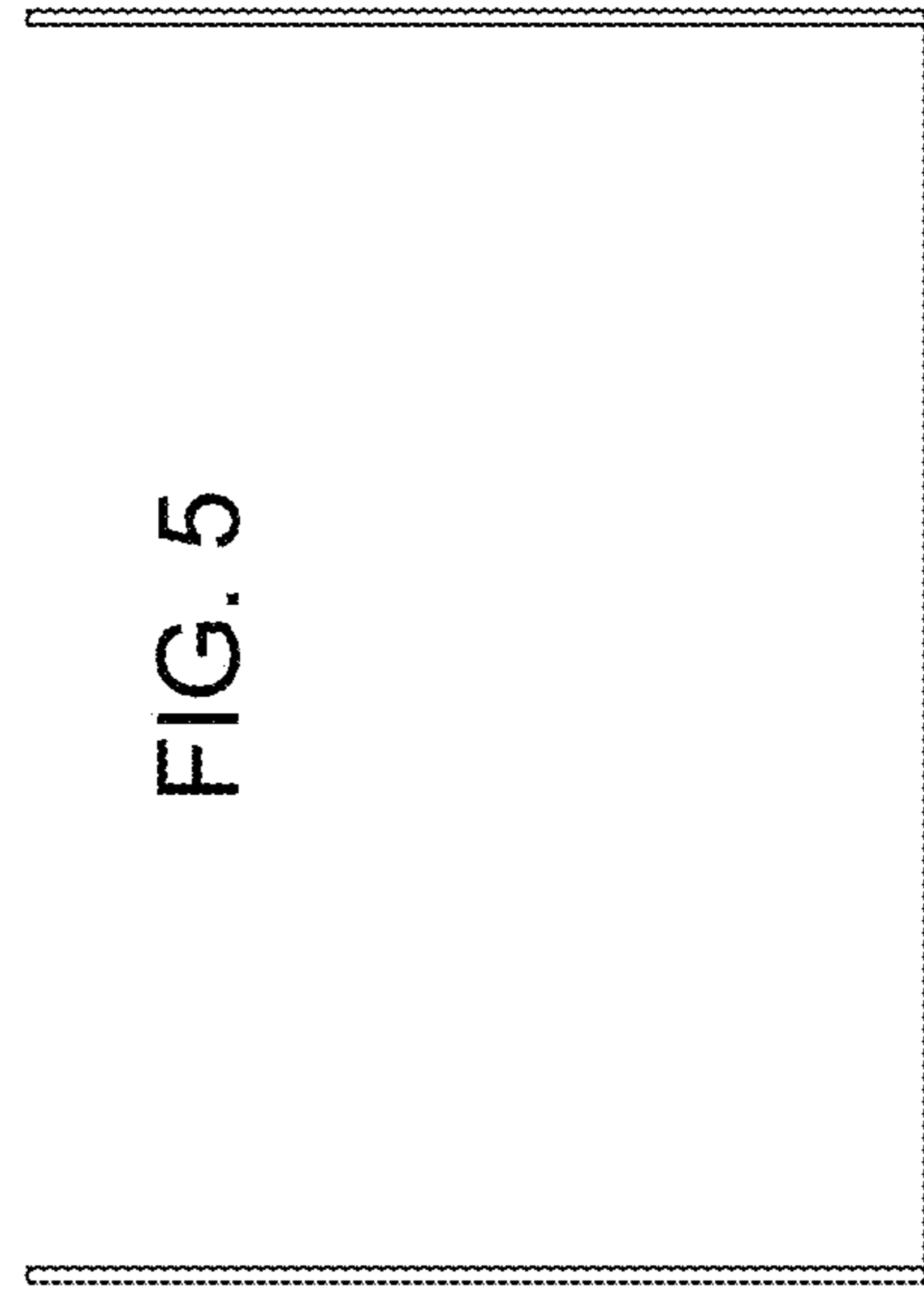


FIG. 5

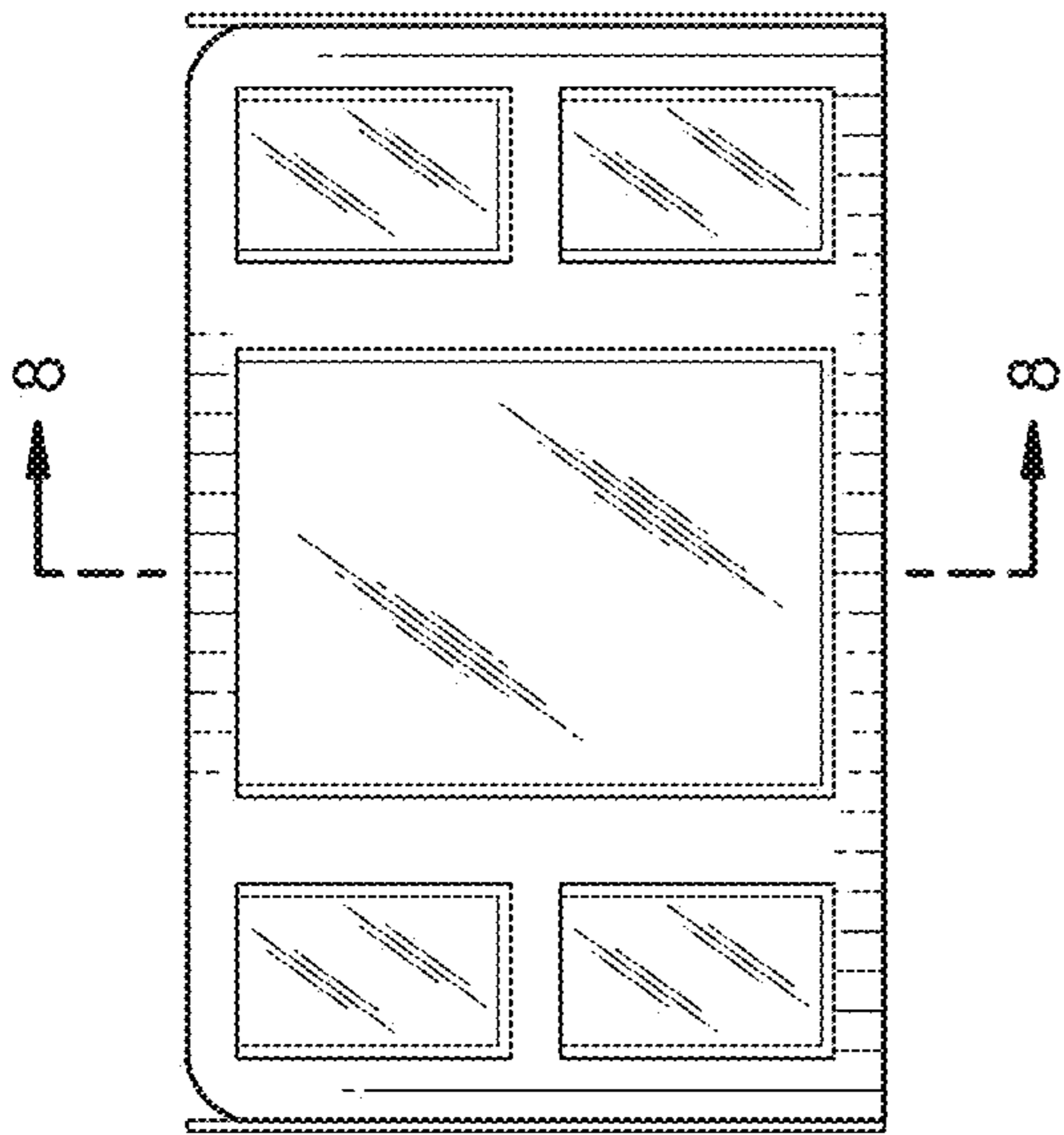


FIG. 2

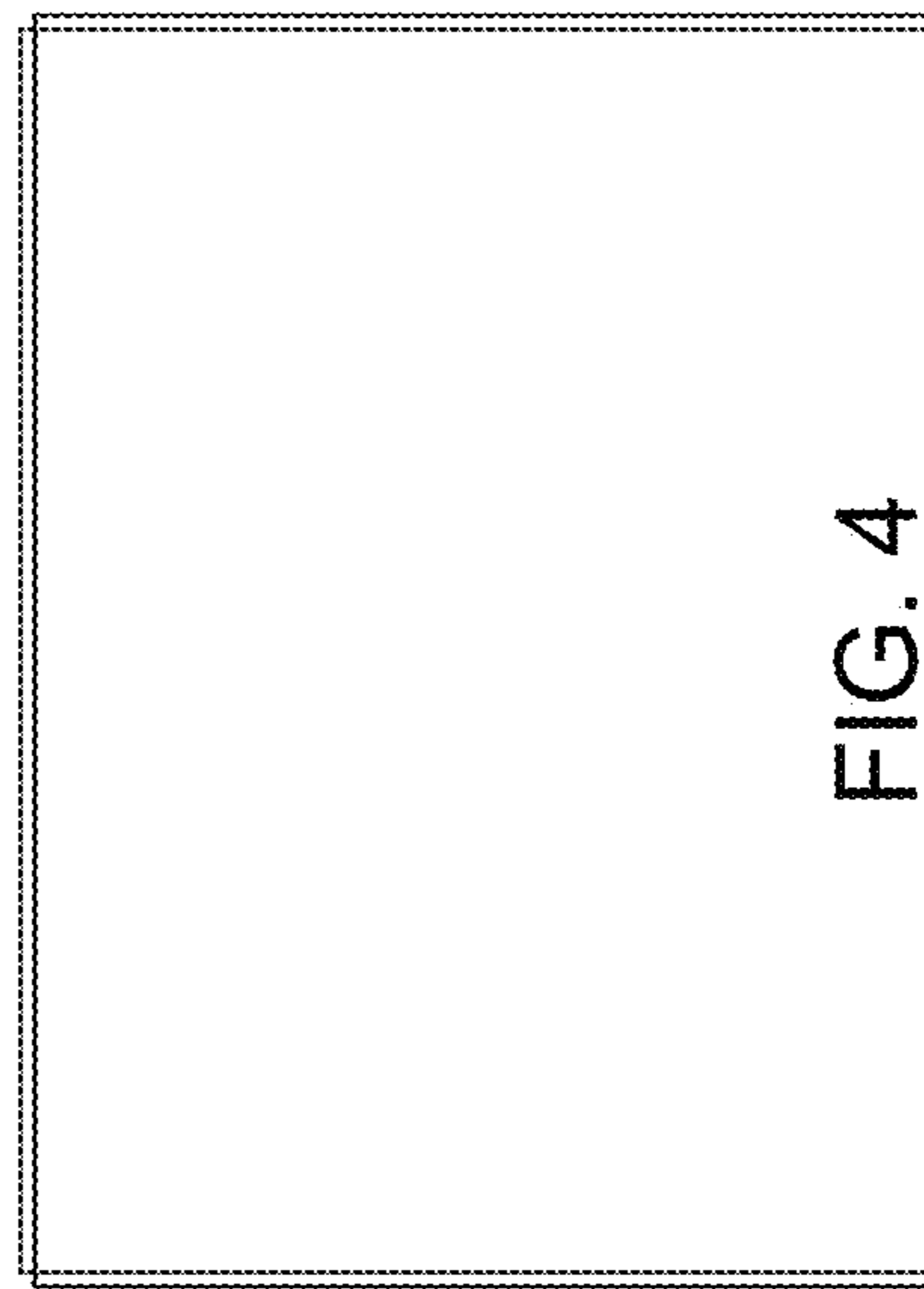


FIG. 4

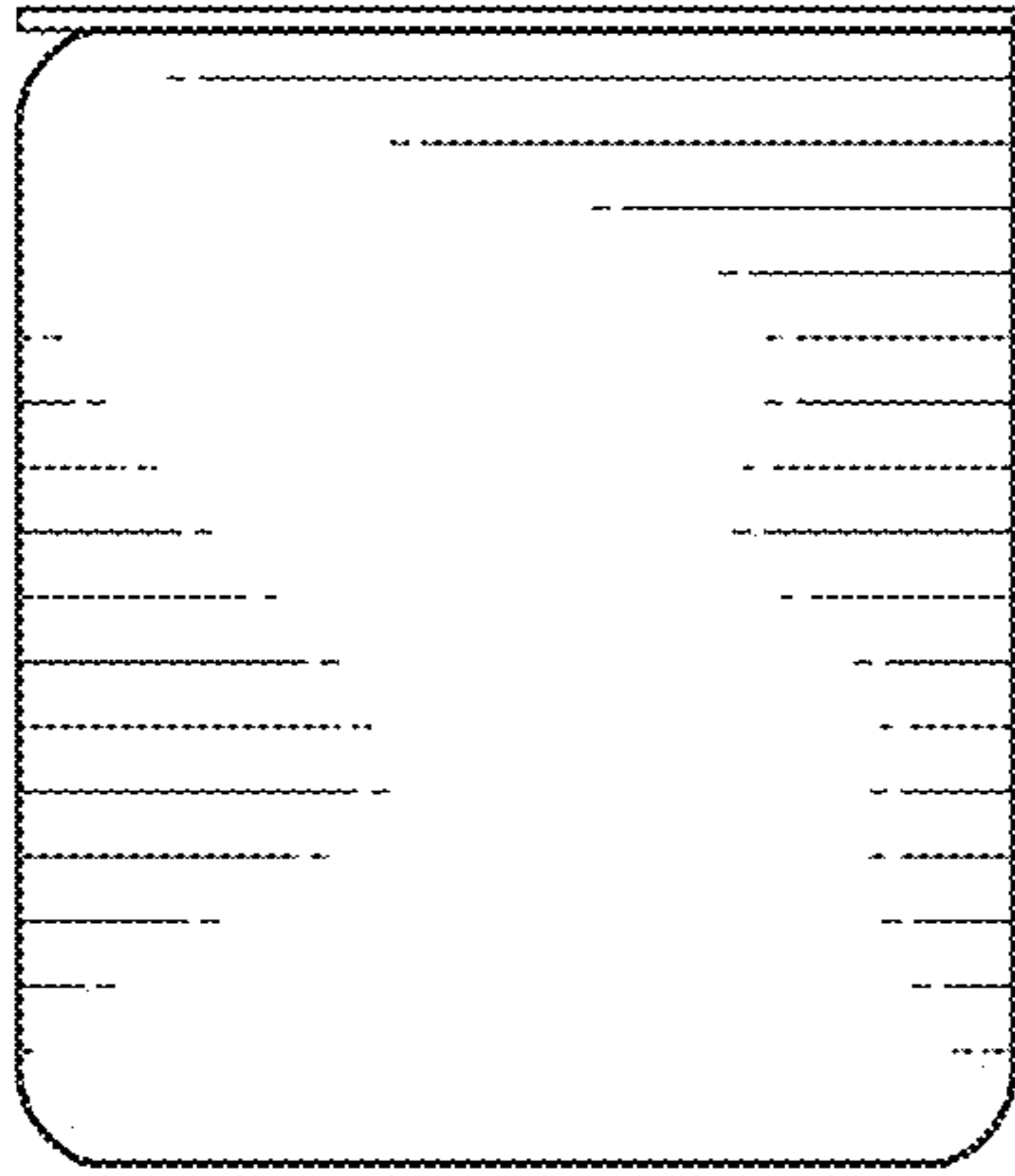


FIG. 6

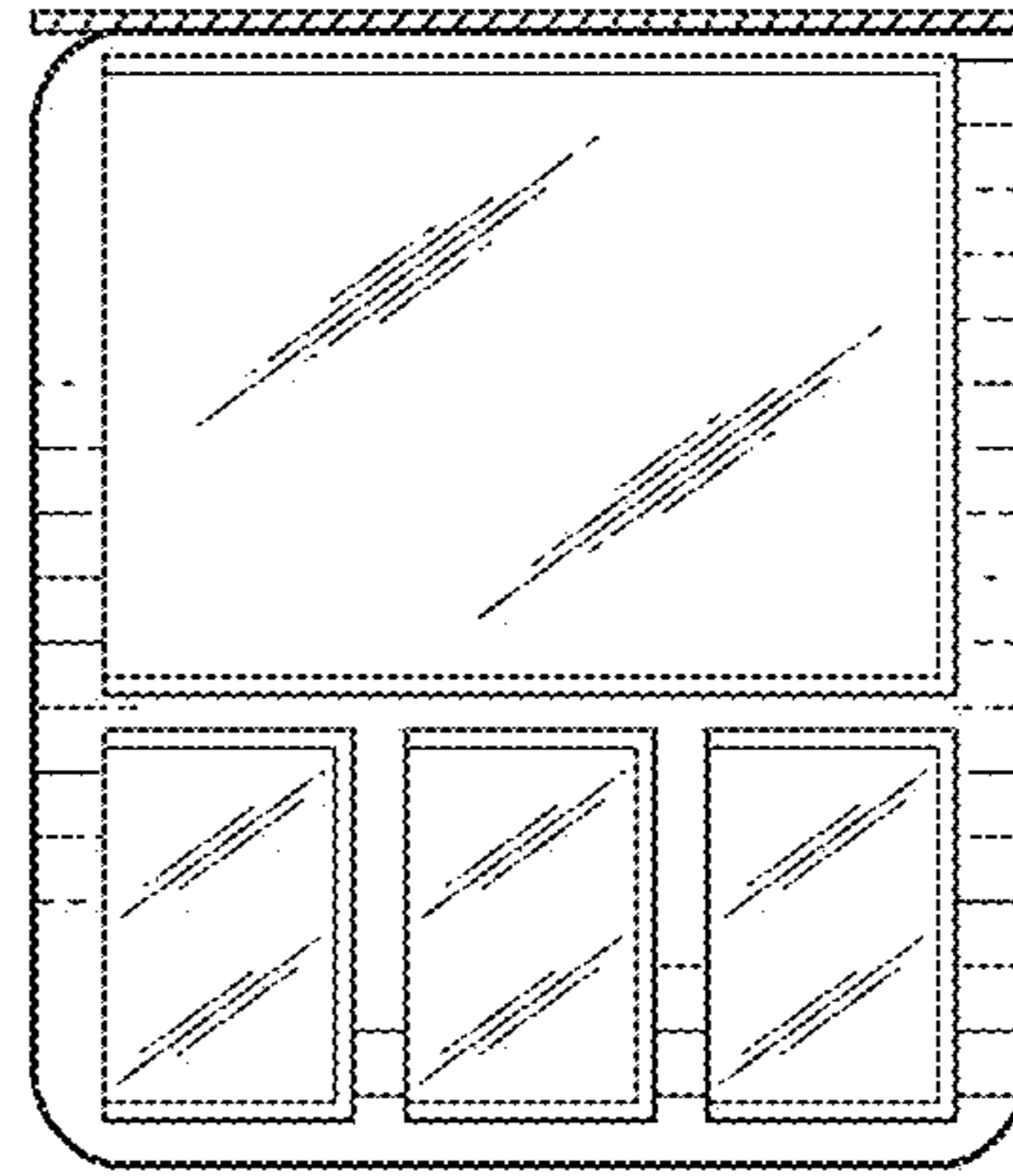


FIG. 7

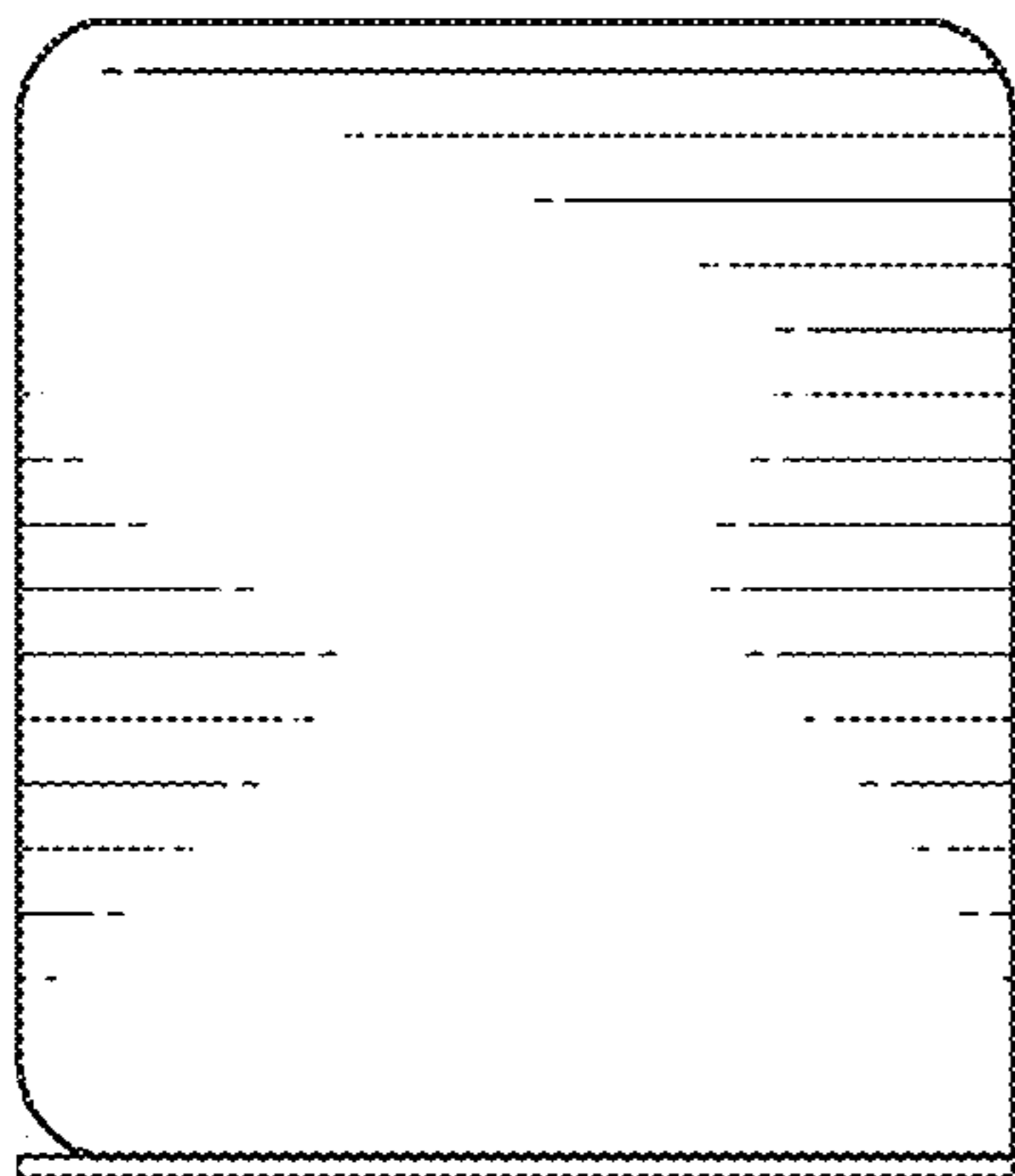


FIG. 8

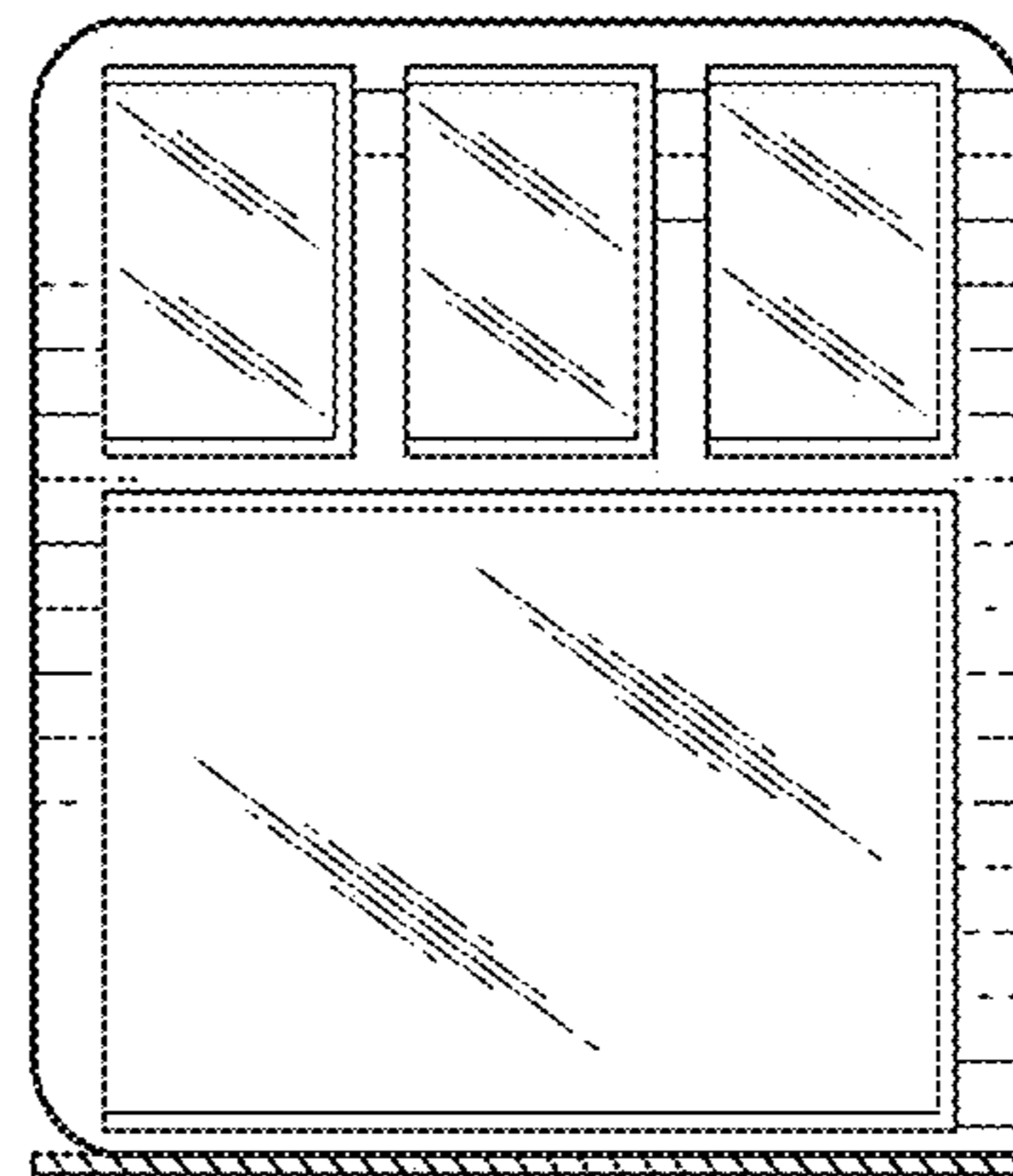


FIG. 9

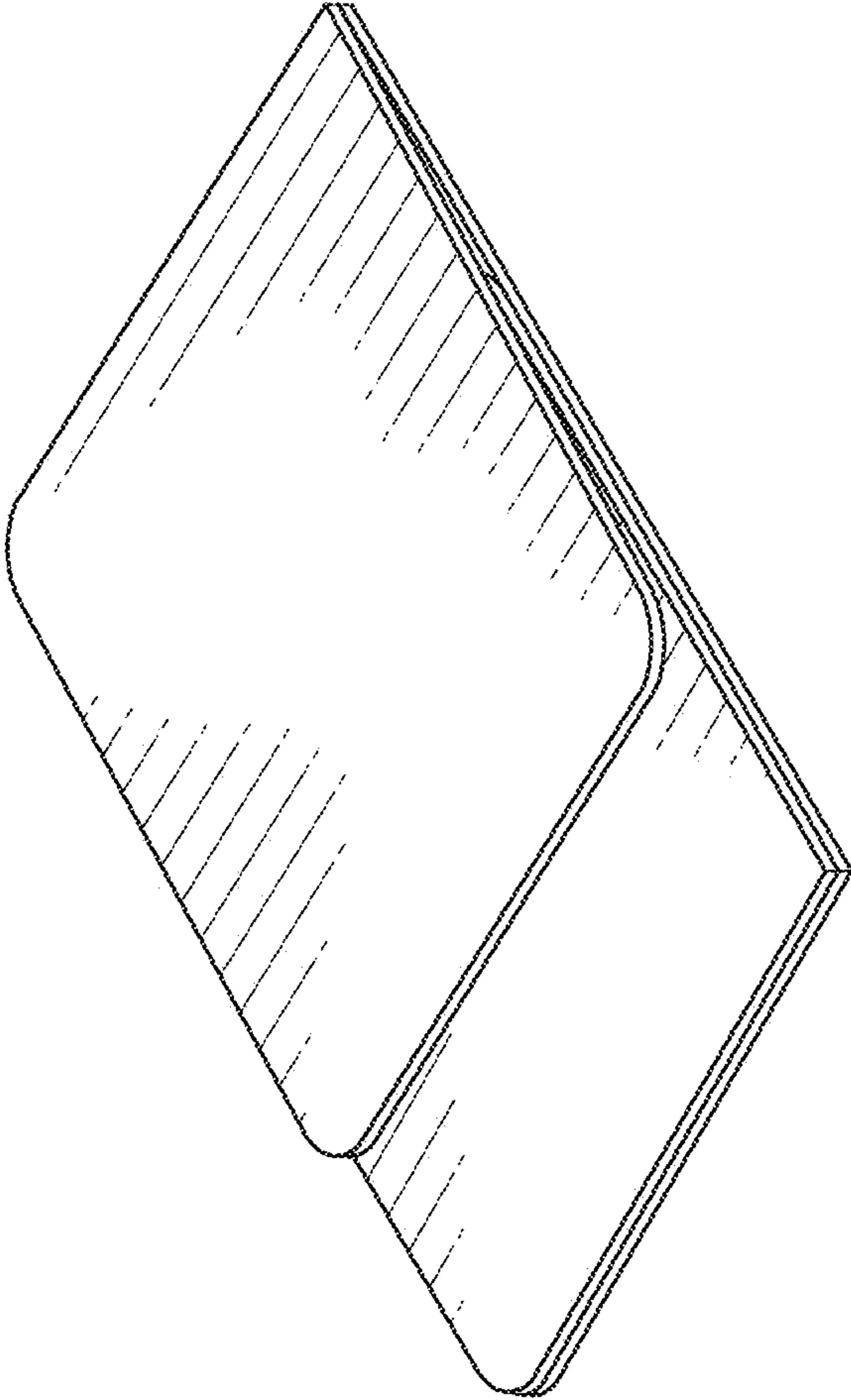


FIG. 10

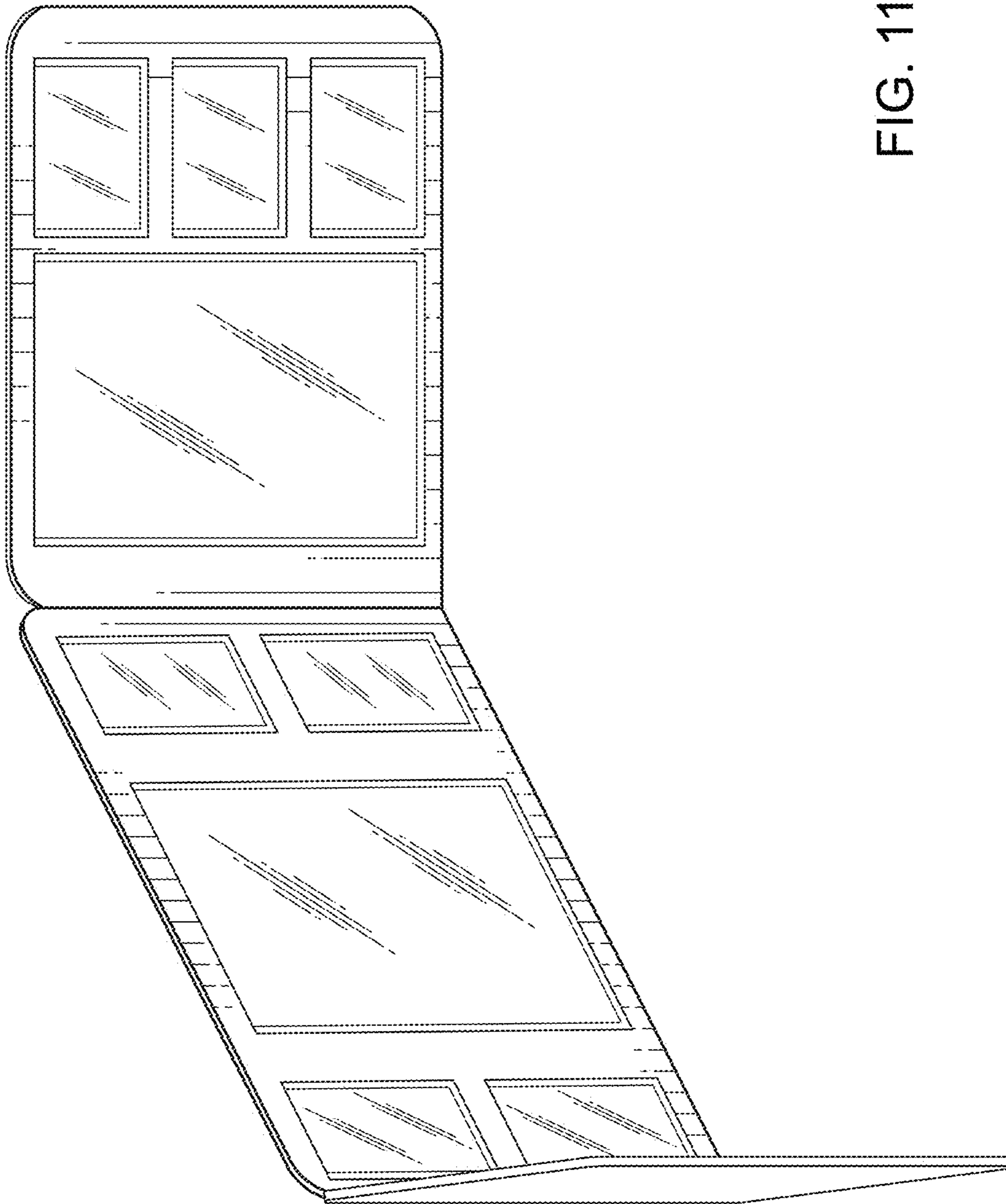


FIG. 11



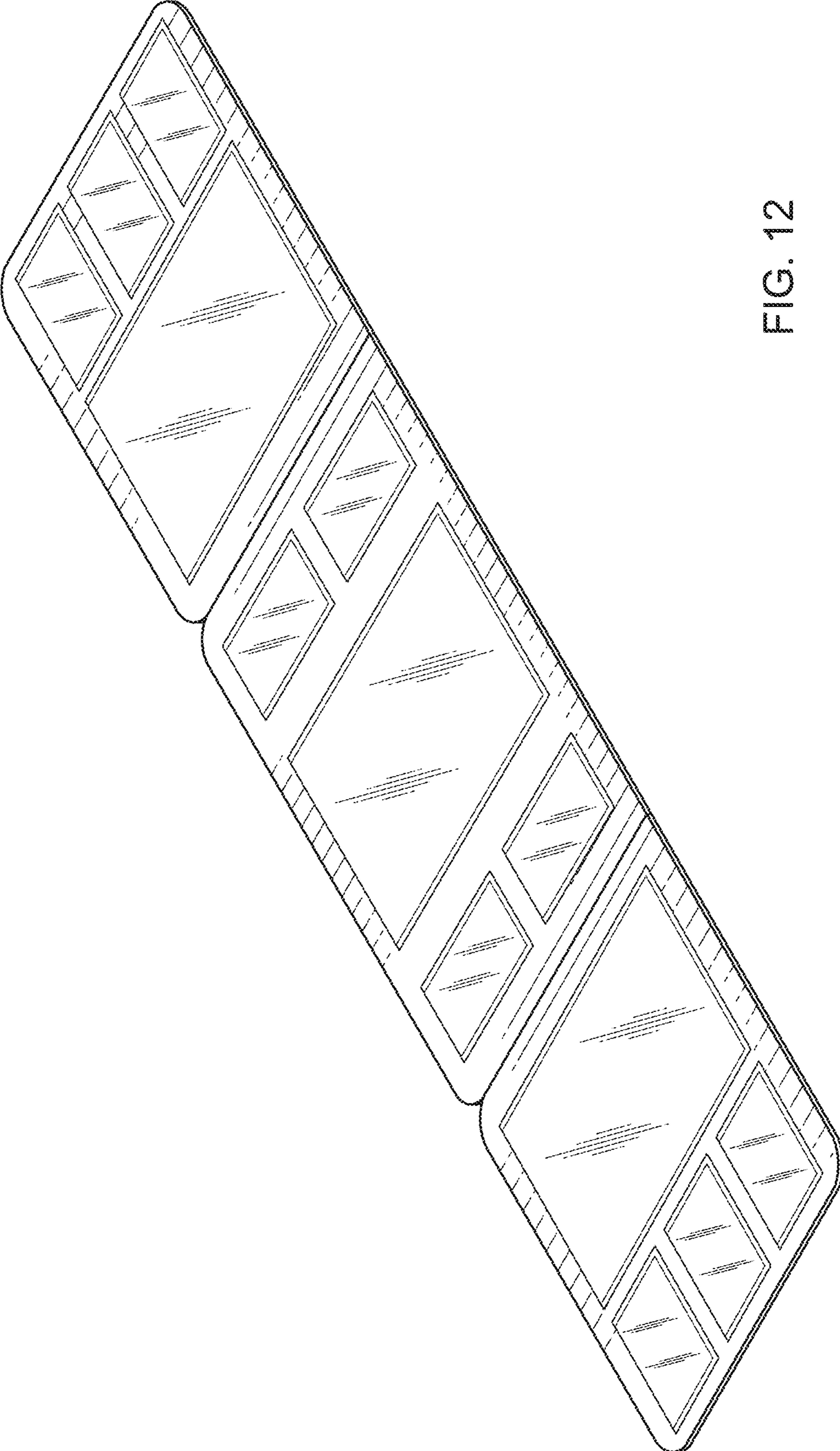


FIG. 12

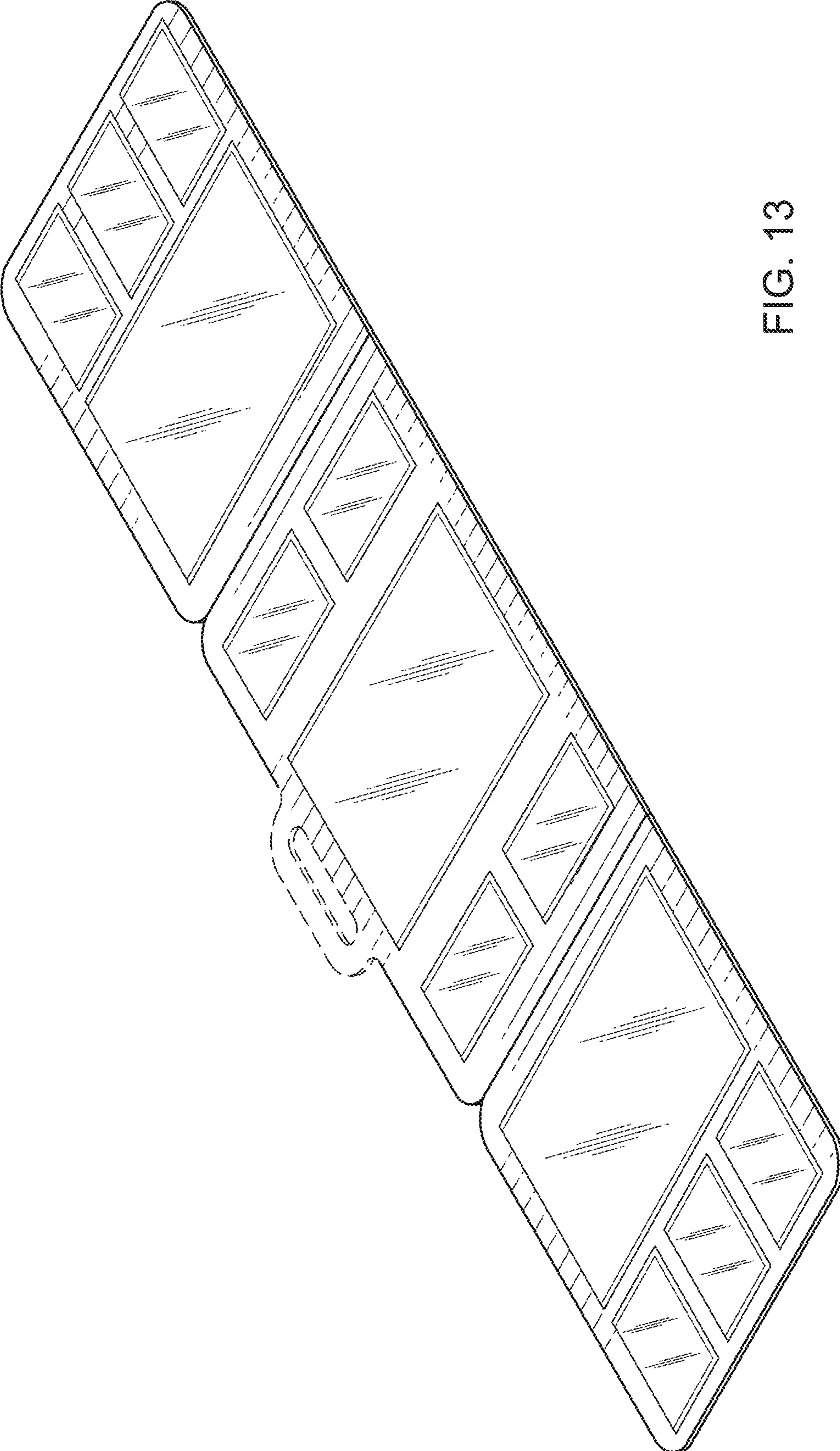


FIG. 13

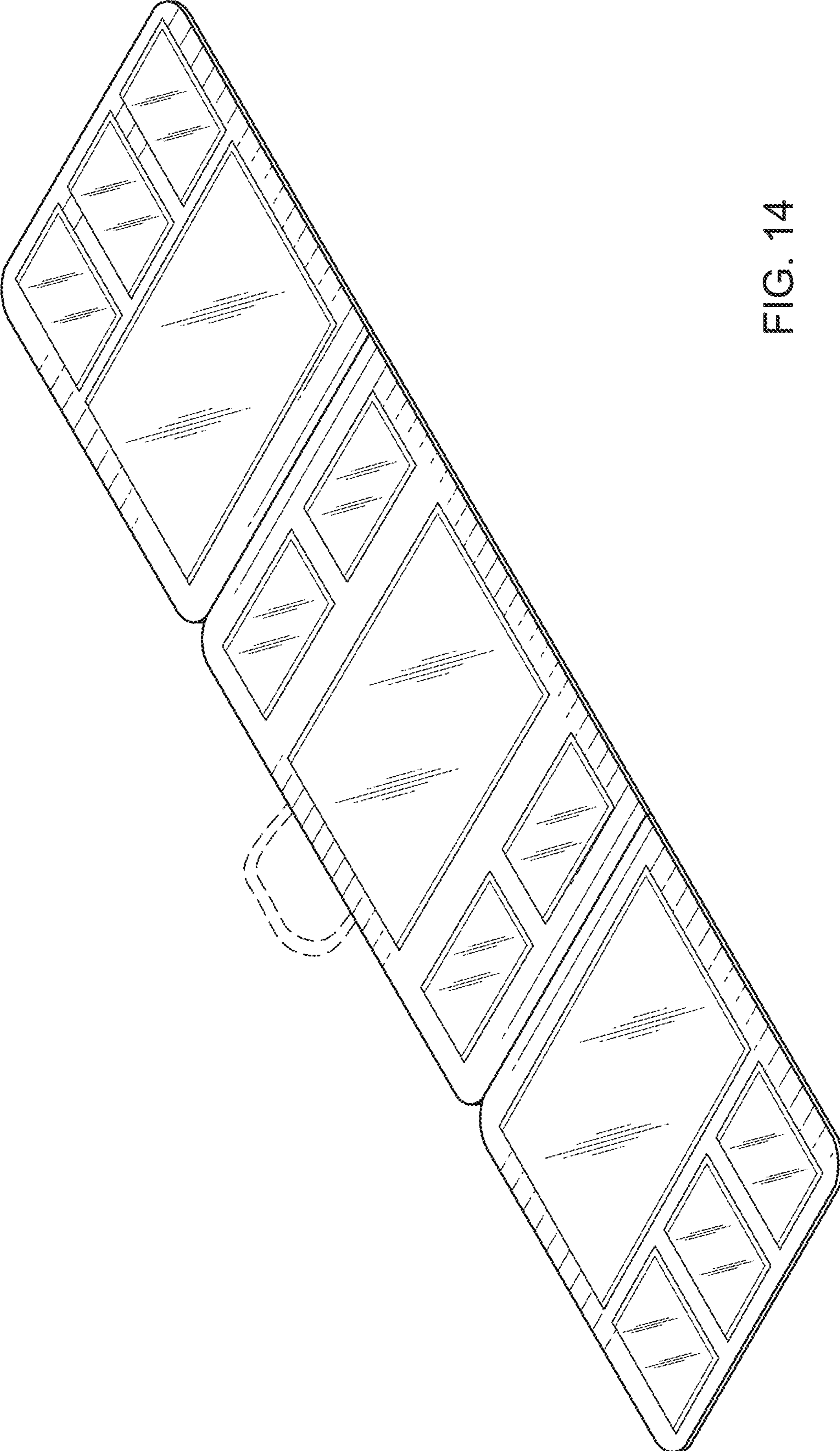


FIG. 14

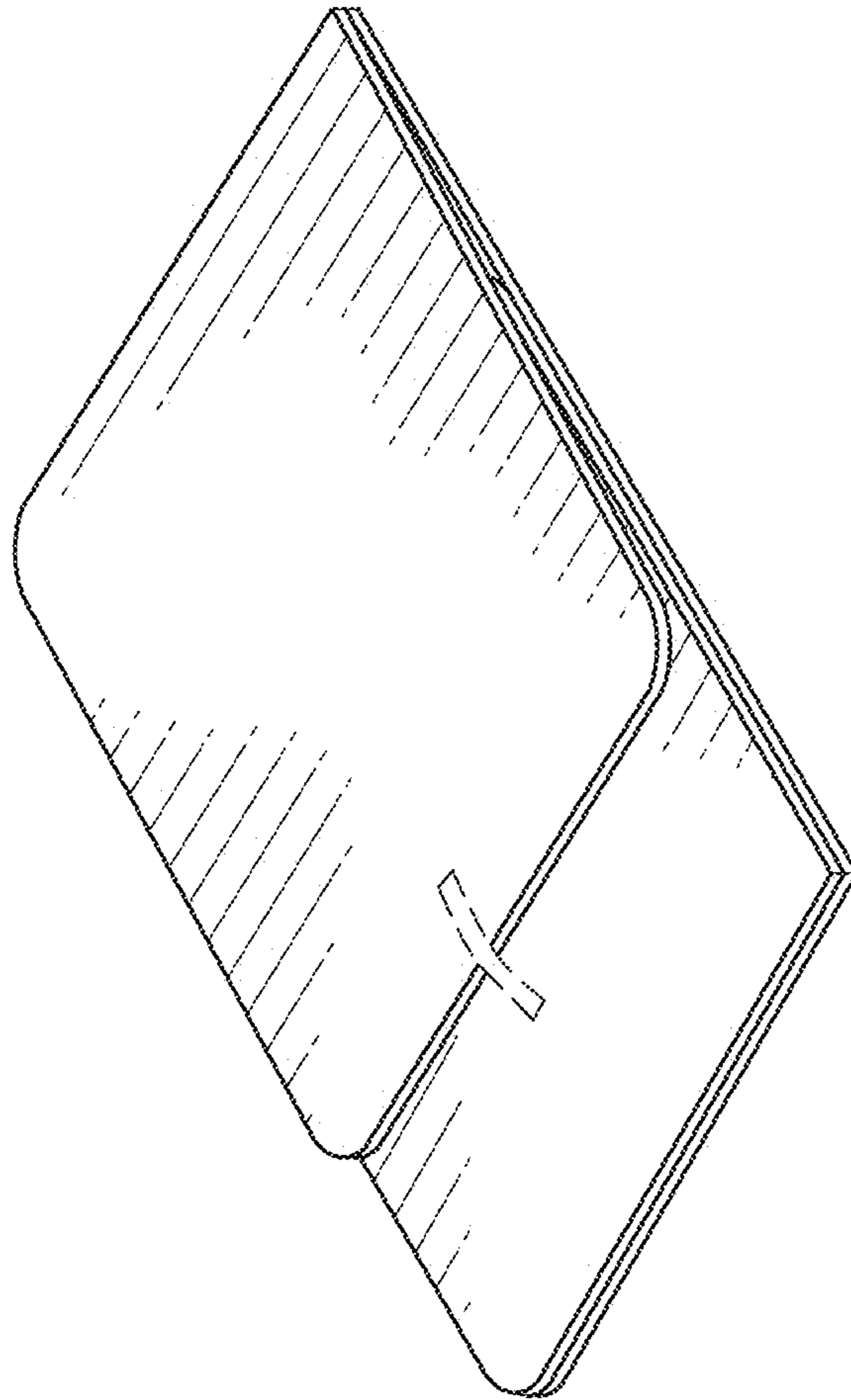


FIG. 15

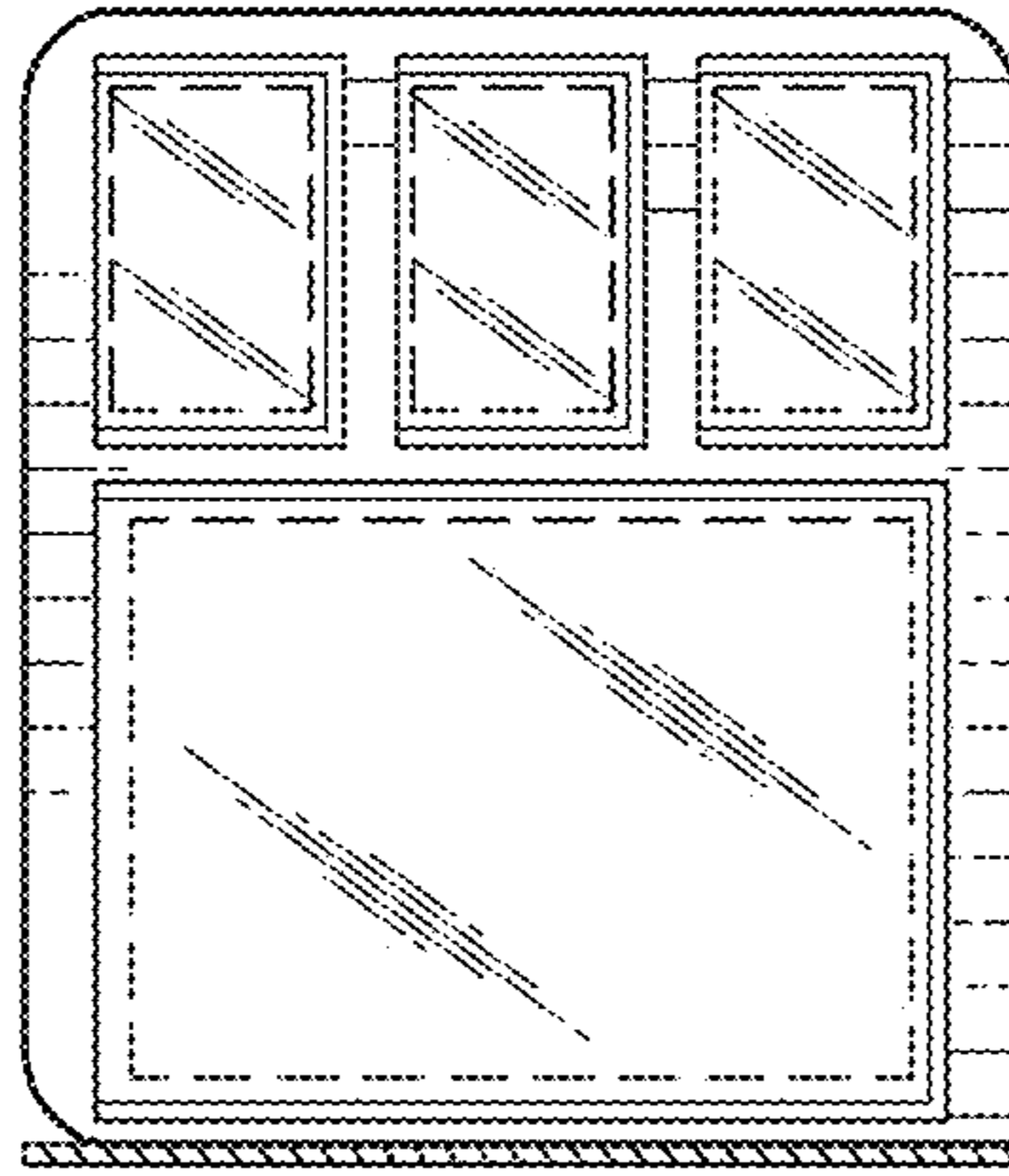


FIG. 16

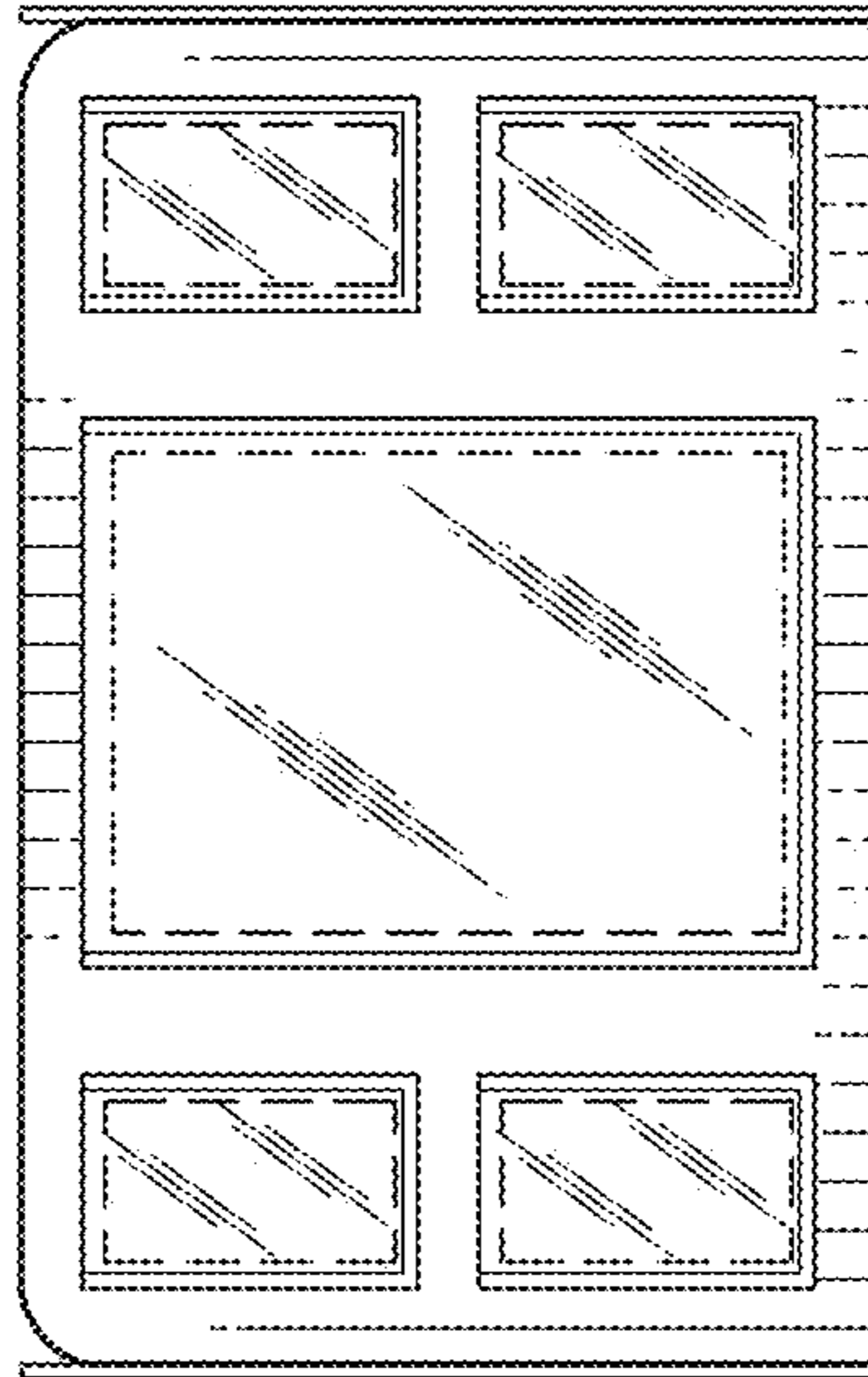


FIG. 17

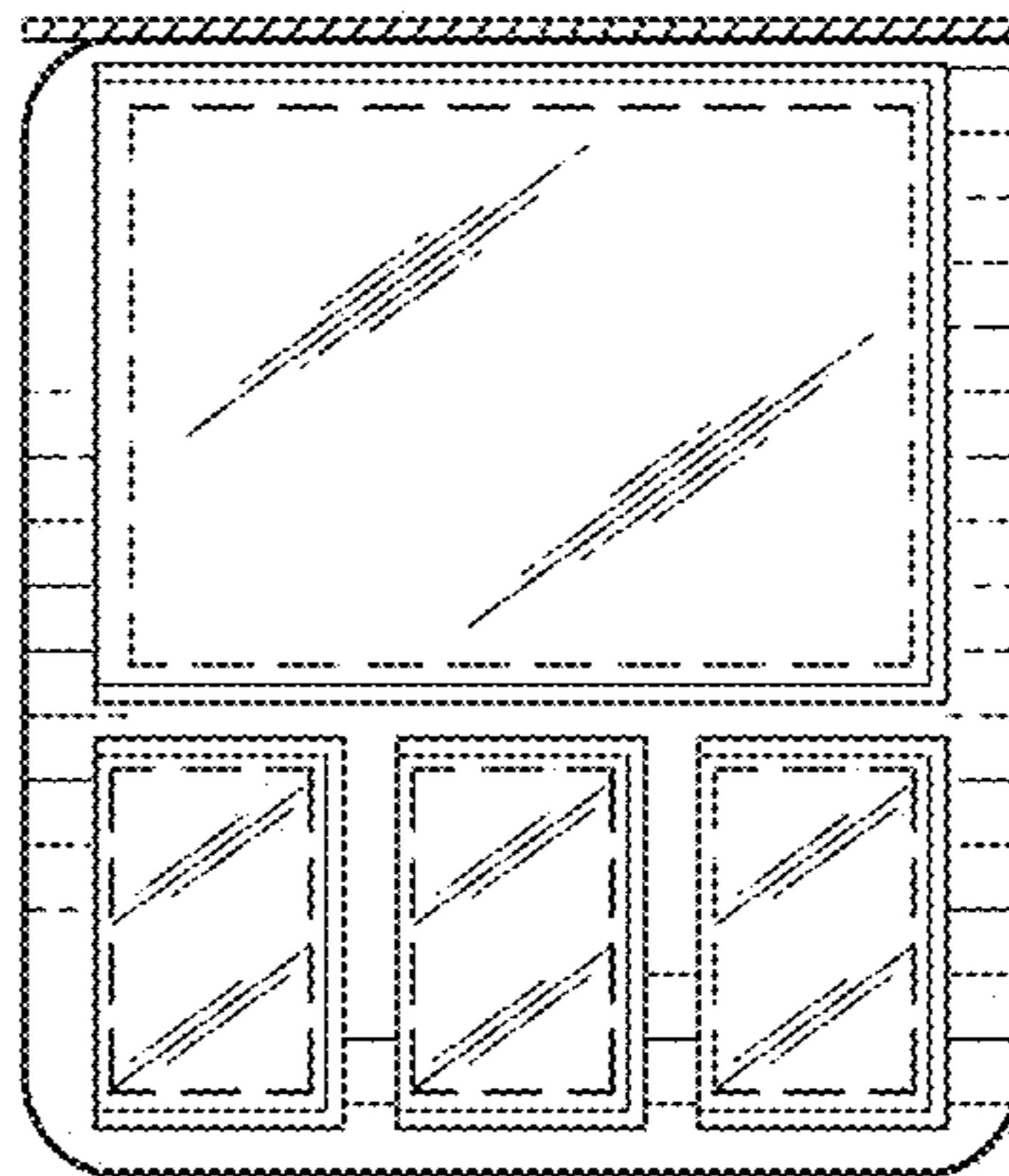


FIG. 18

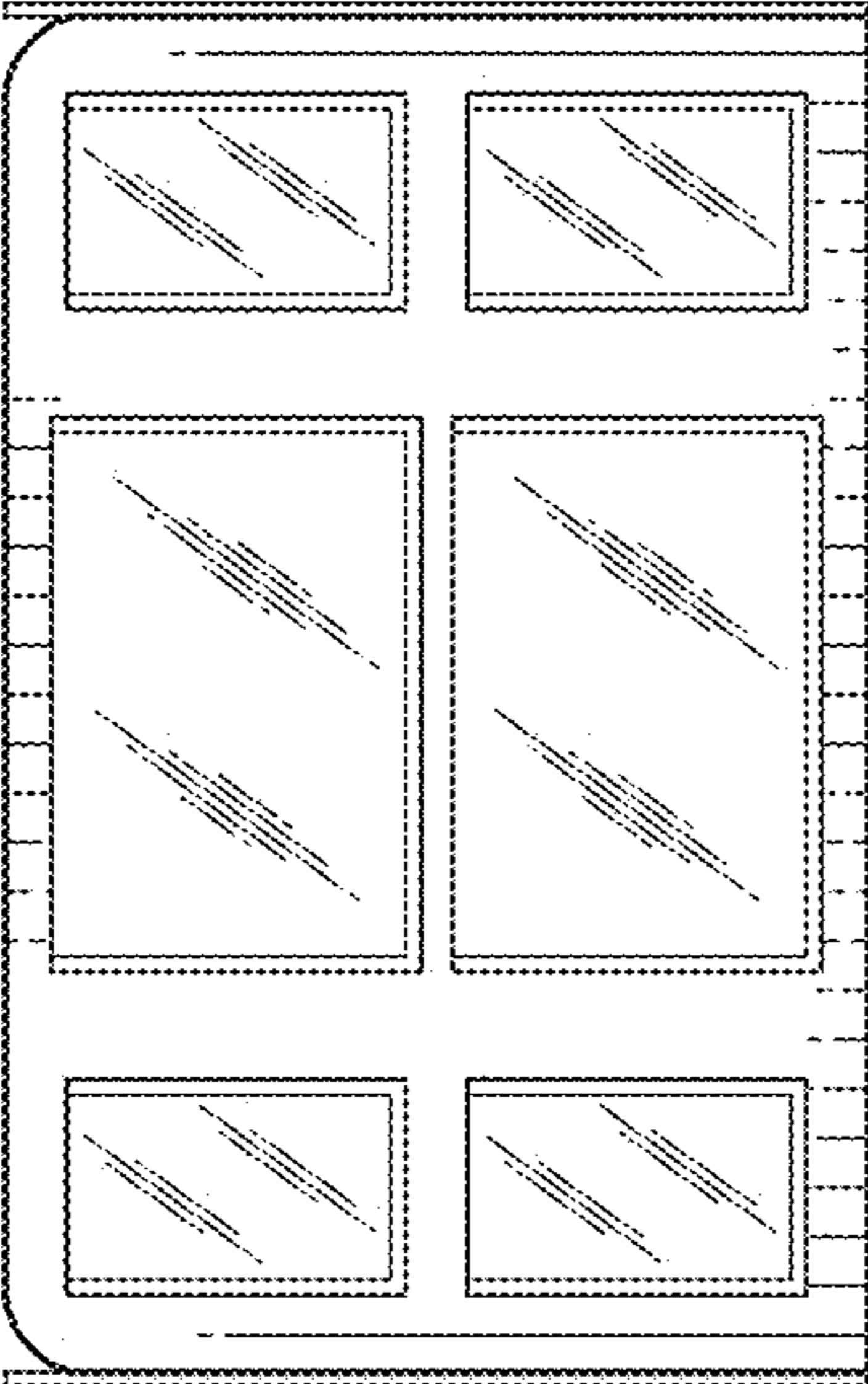


FIG. 19

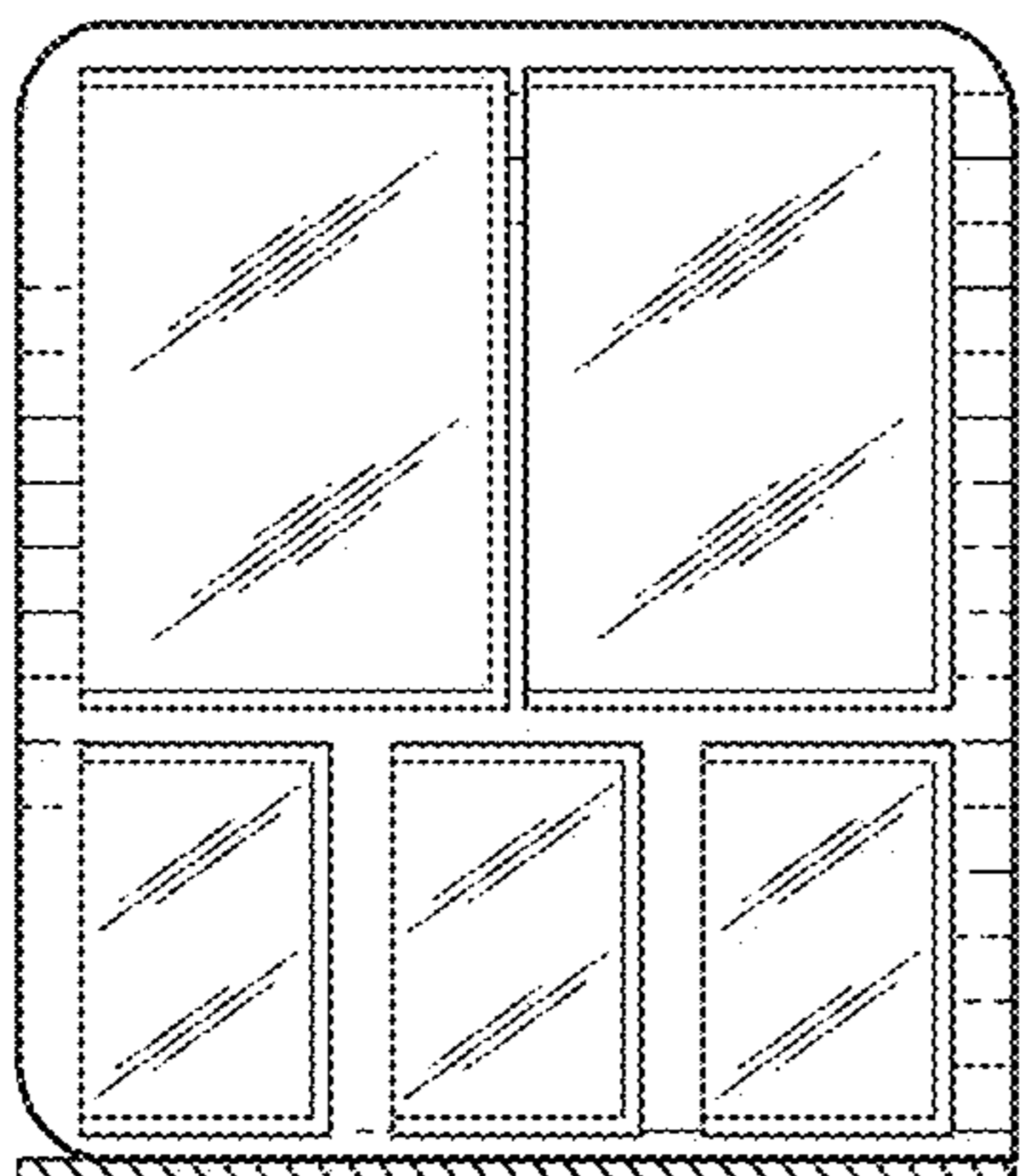


FIG. 20

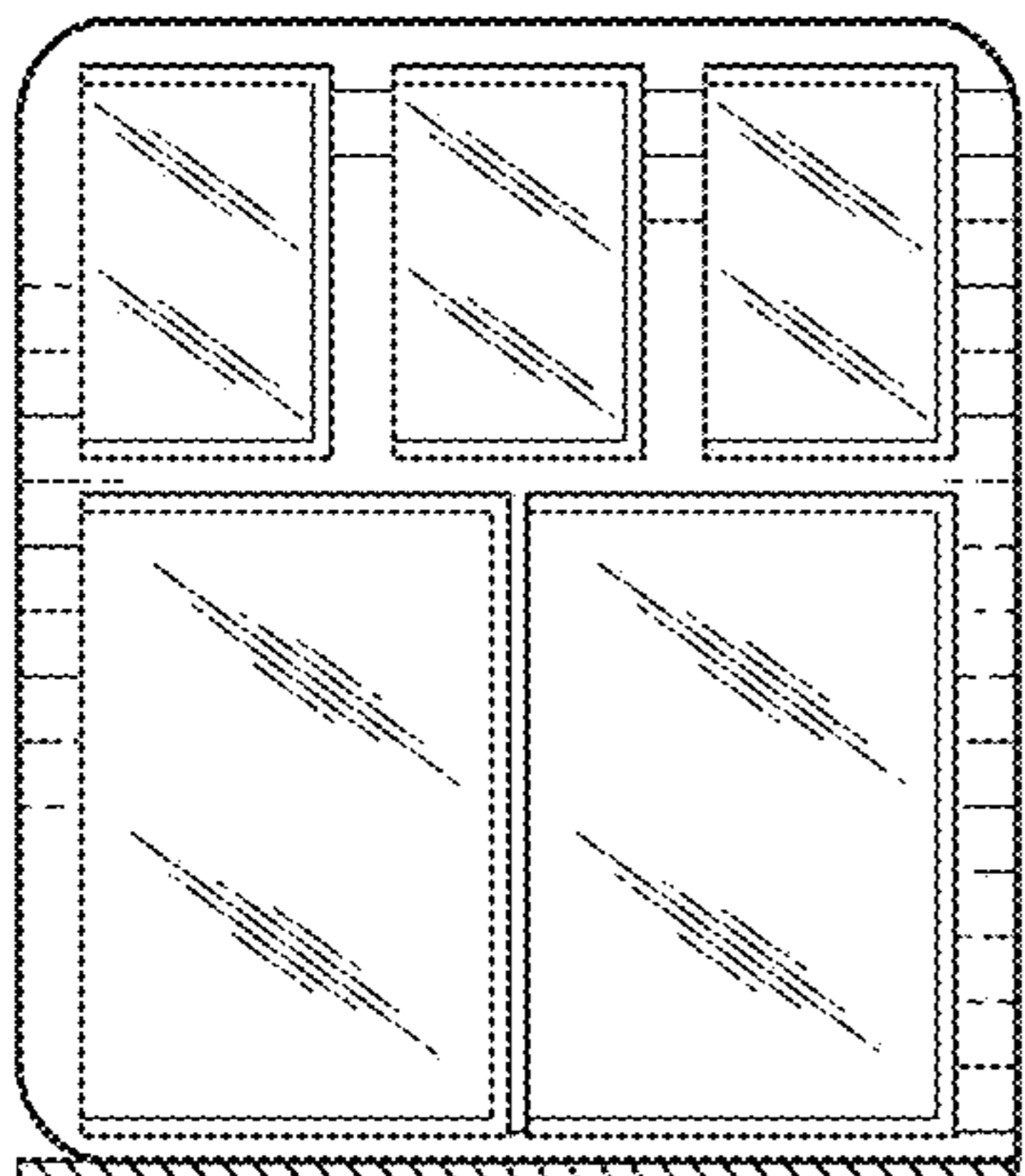


FIG. 21

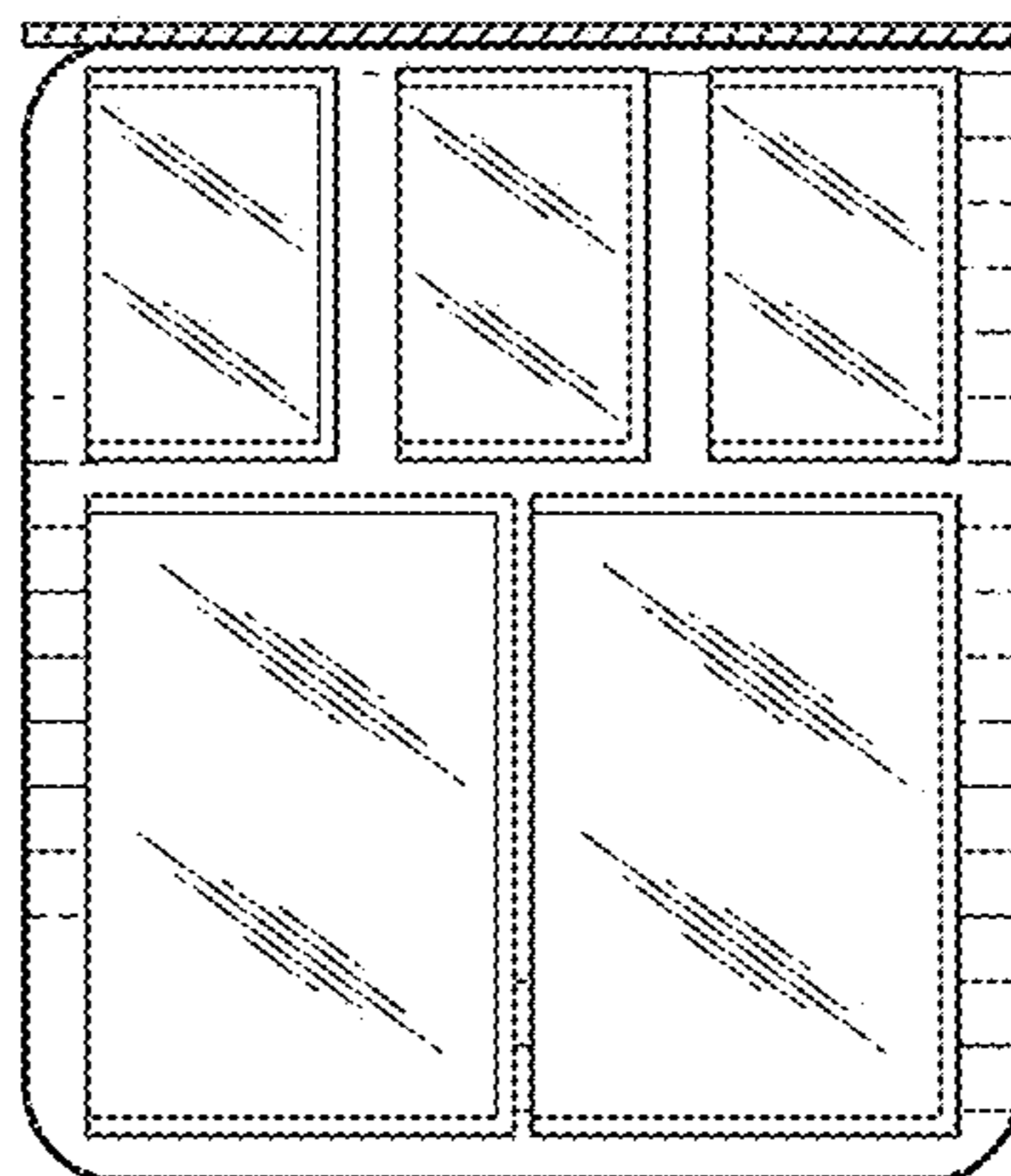


FIG. 22

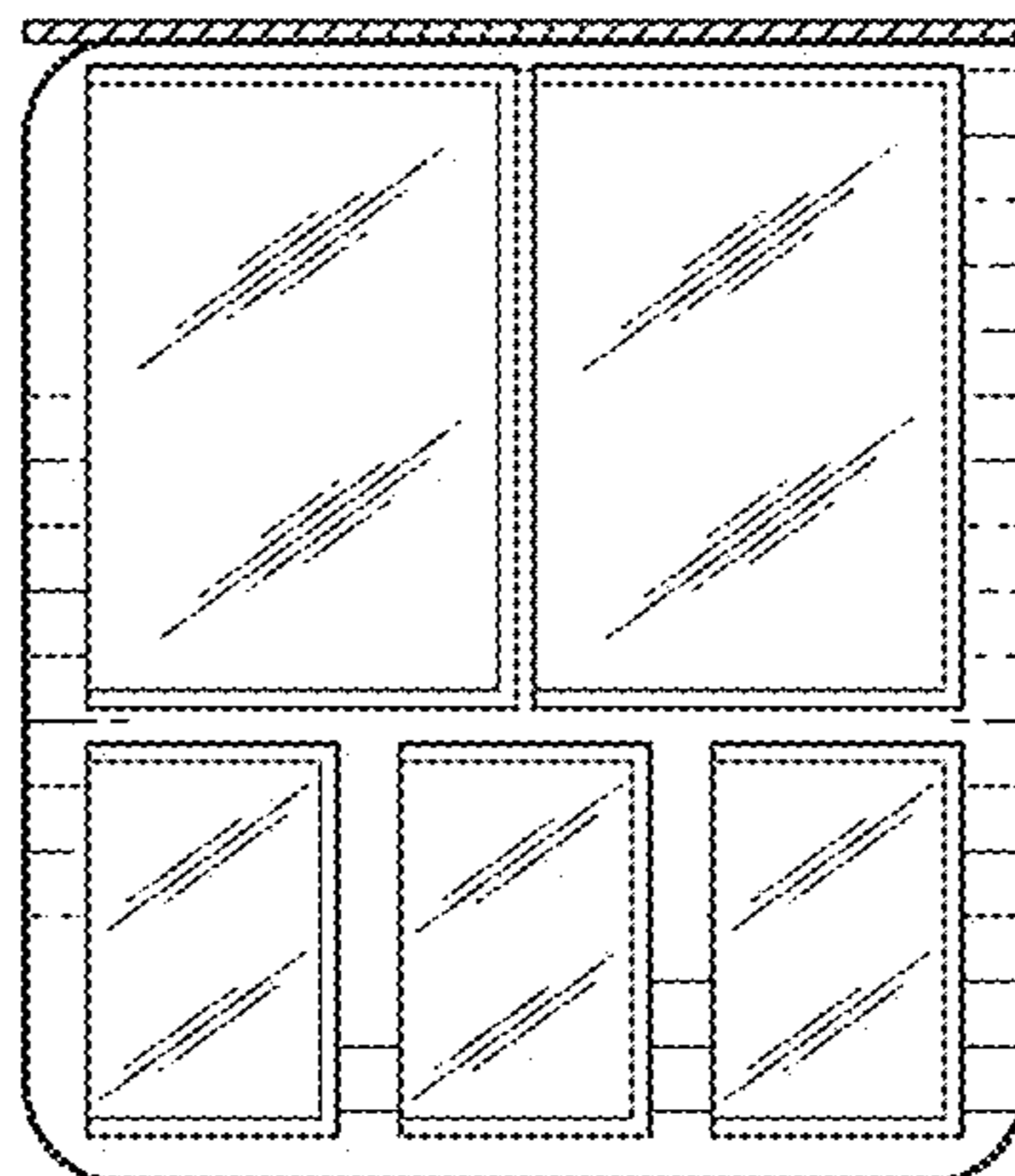


FIG. 23

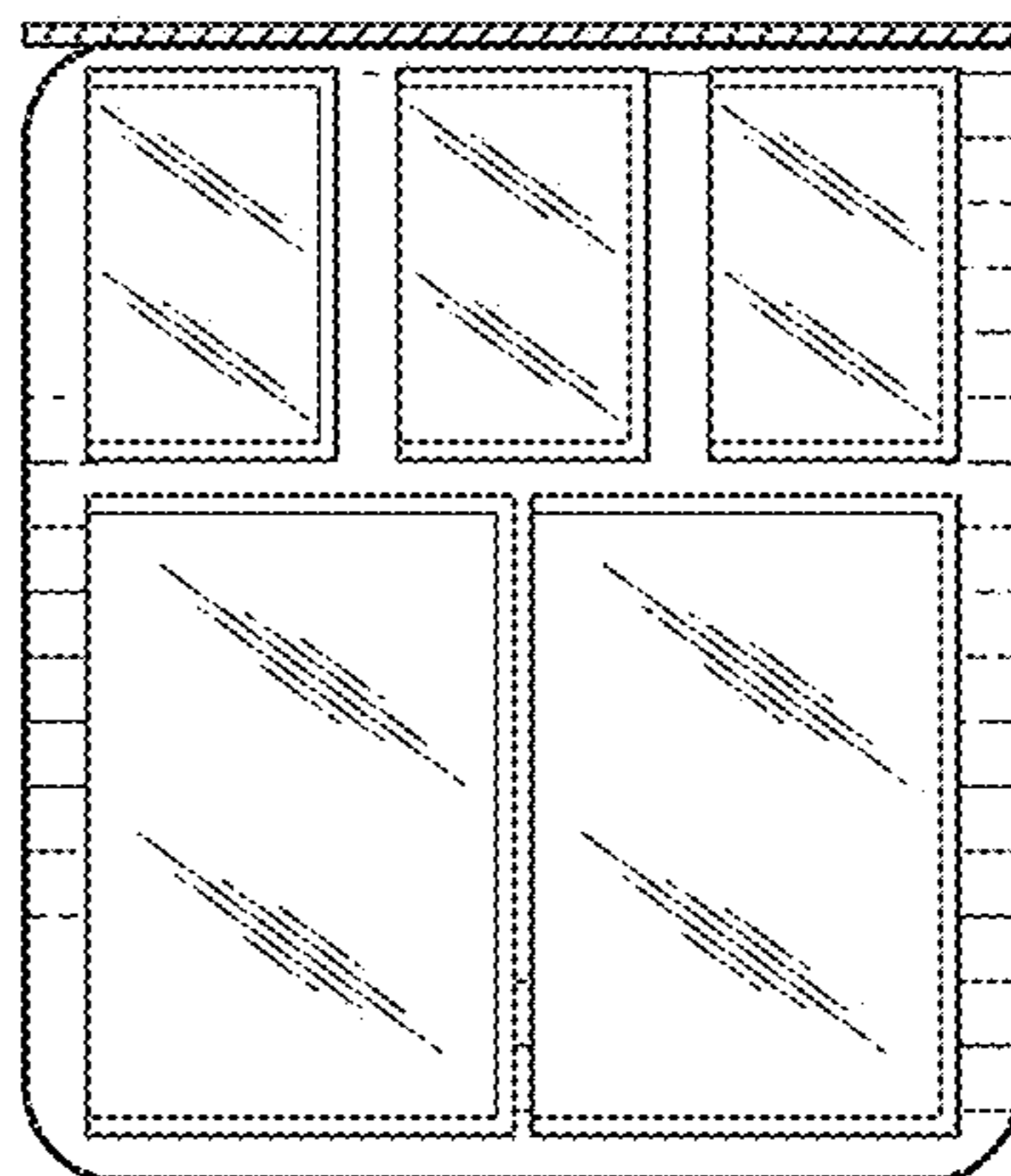


FIG. 24

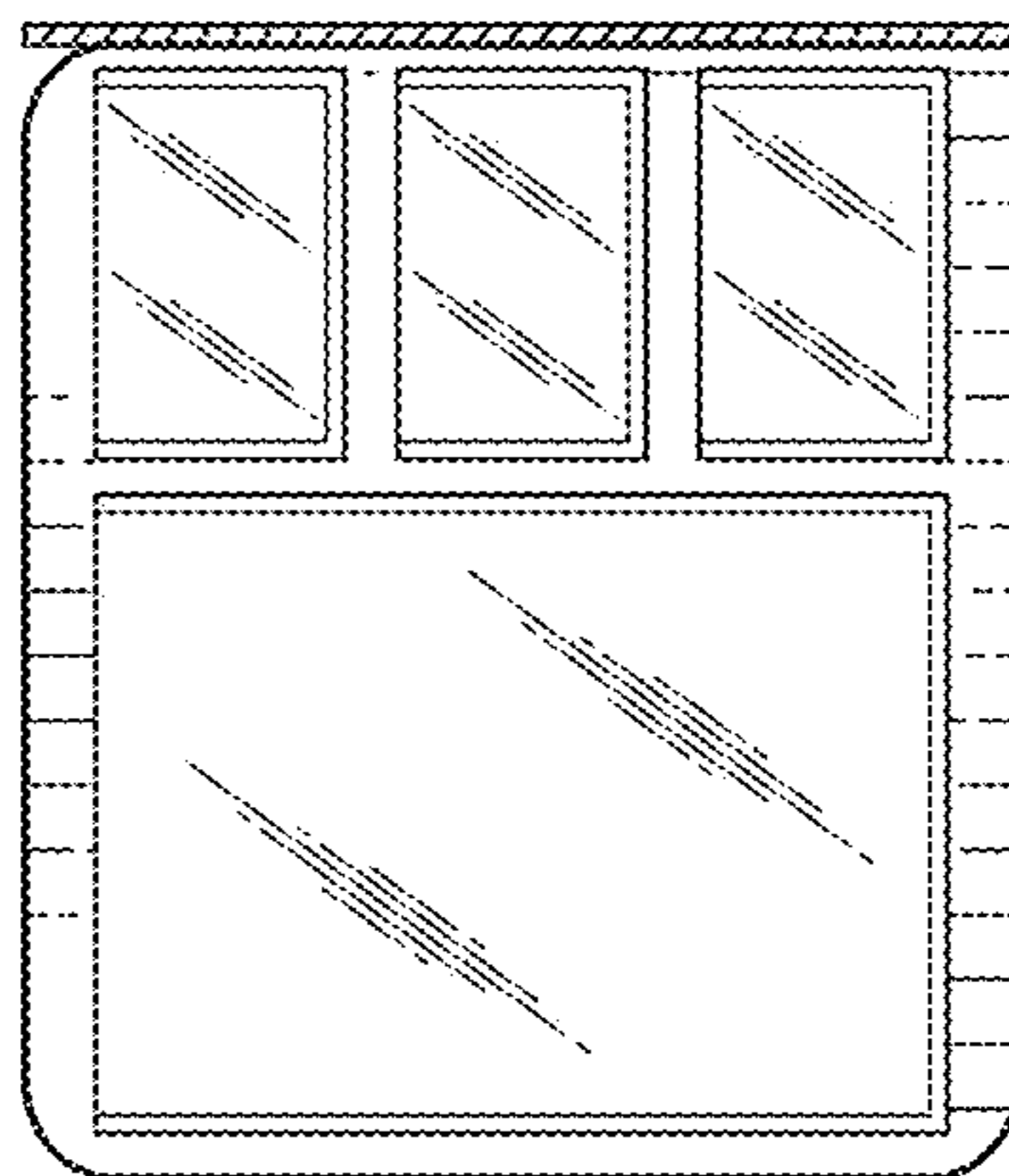


FIG. 25