



US00D967632S

(12) **United States Design Patent** (10) **Patent No.:** **US D967,632 S**
Gatzemeyer et al. (45) **Date of Patent:** **** Oct. 25, 2022**

- (54) **REPLACEMENT HEAD FOR A TOOTHBRUSH**
- (71) Applicant: **Colgate-Palmolive Company**, New York, NY (US)
- (72) Inventors: **John Gatzemeyer**, Hillsborough, NJ (US); **Oliver William Henderson**, Brooklyn, NY (US); **Scott Vincent Pancioli**, San Francisco, CA (US); **Norio Fujikawa**, San Francisco, CA (US); **Jonathan Bar-Or**, Pardes-Hana (IL); **Ariel Heller**, Pardes-Hana (IL)
- (73) Assignee: **Colgate-Palmolive Company**, New York, NY (US)
- (**) Term: **15 Years**
- (21) Appl. No.: **29/717,810**
- (22) Filed: **Dec. 19, 2019**
- (51) **LOC (13) Cl.** **28-03**
- (52) **U.S. Cl.**
USPC **D4/101**
- (58) **Field of Classification Search**
USPC D4/100, 101, 104, 108, 109, 111, 113, D4/114, 121, 127, 129, 130, 132, 134, D4/138, 199, 105, 106, 107, 110, 112, D4/116; D30/158, 159; D24/176
CPC A46B 5/02; A46B 2200/1066; A46B 2200/1073; A46B 2200/1086
See application file for complete search history.

(56) **References Cited**

U.S. PATENT DOCUMENTS

- 6,468,076 B2 10/2002 Kawamura
- 6,685,471 B1 2/2004 Kawamura et al.
- 6,944,901 B2 * 9/2005 Gatzemeyer A61C 17/349
15/28

- 6,952,855 B2 * 10/2005 Lev A61C 17/22
200/61.42
- 6,954,961 B2 10/2005 Ferber et al.
- 7,120,960 B2 10/2006 Hilscher et al.
- D565,843 S * 4/2008 Mackintosh D4/136
- 7,861,349 B2 1/2011 Hilscher et al.
- 8,075,315 B2 12/2011 Gatzemeyer et al.

(Continued)

FOREIGN PATENT DOCUMENTS

- CN 304988324 S 1/2019
- CN 305198218 S 6/2019

(Continued)

OTHER PUBLICATIONS

Oral-B Genius Brushing Features, <https://oralb.com/en-us/products/compare/genius>, retrieved Dec. 4, 2019, pp. 1-6.

Primary Examiner — Karen E Eldridge Powers

(57) **CLAIM**

The ornamental design for a replacement head for a toothbrush, as shown and described.

DESCRIPTION

FIG. 1 is a top, front, and left side perspective view of a replacement head for a toothbrush according to the new design;

FIG. 2 is a bottom, rear, right side perspective view thereof;

FIG. 3 is a front elevation view thereof;

FIG. 4 is a rear elevation view thereof;

FIG. 5 is a left side elevation view thereof;

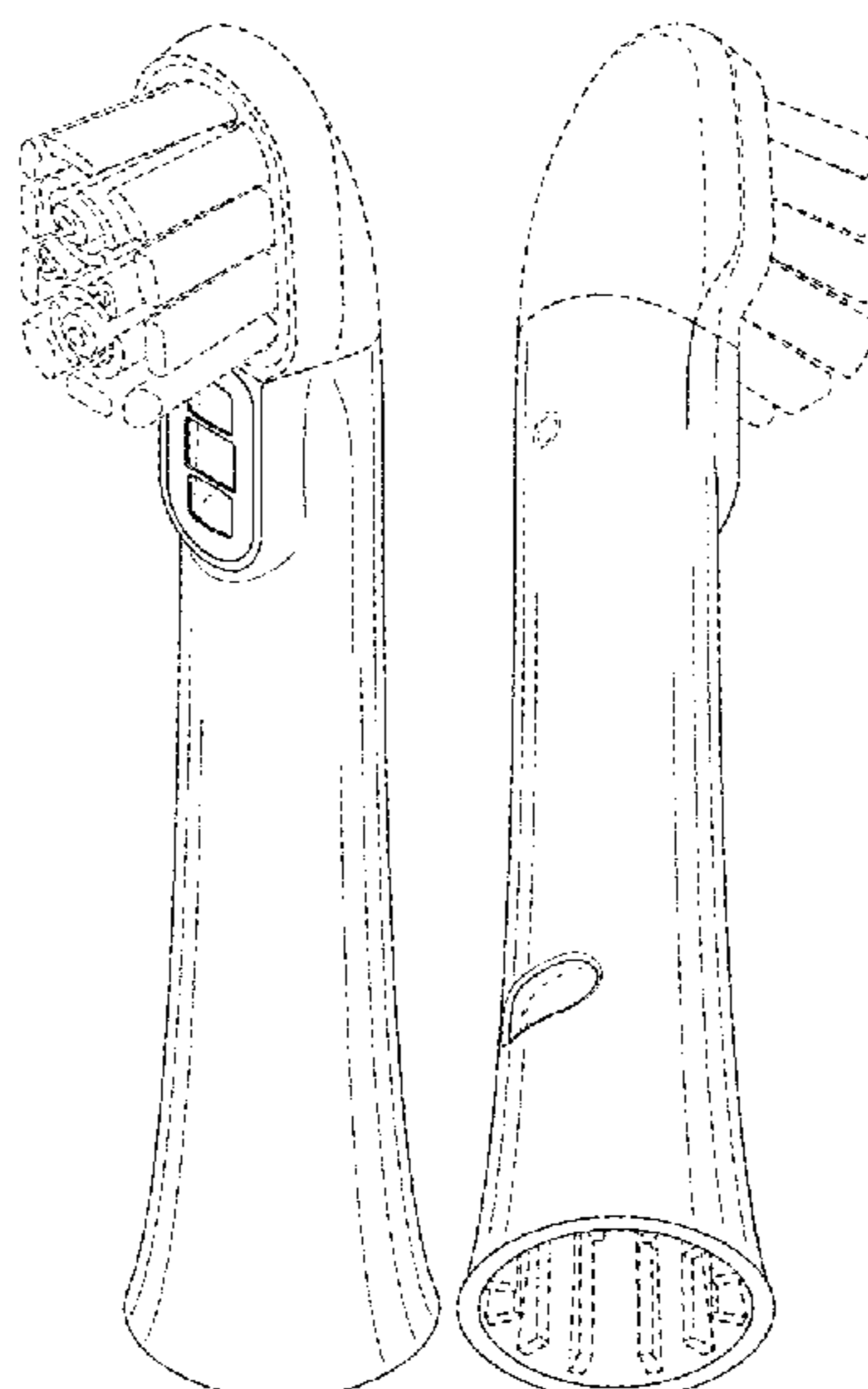
FIG. 6 is a right side elevation view thereof;

FIG. 7 is a top plan view thereof; and,

FIG. 8 is a bottom plan view thereof.

The dashed broken lines illustrate portions of the replacement head for a toothbrush that form no part of the claimed design. The dot-dash broken lines define the bounds of the claimed design and form no part thereof.

1 Claim, 5 Drawing Sheets



(56)

References Cited

U.S. PATENT DOCUMENTS

8,201,295 B2 6/2012 Gatzemeyer et al.
 8,214,958 B2 7/2012 Pinyayev et al.
 8,311,302 B2 11/2012 Yan et al.
 8,337,213 B2 12/2012 Puurunen et al.
 8,358,203 B1 1/2013 Perry
 8,585,411 B2 11/2013 Puurunen et al.
 8,839,476 B2 9/2014 Adachi
 D723,282 S * 3/2015 Fretwell D4/101
 9,044,083 B2 6/2015 Nanda
 9,168,117 B2 10/2015 Yoshida et al.
 9,220,583 B2 12/2015 Shani et al.
 9,301,821 B2 4/2016 Fattori
 9,345,408 B2 5/2016 Curry et al.
 D795,592 S * 8/2017 Xi D4/104
 9,827,080 B2 * 11/2017 Dai A61C 17/3472
 9,848,968 B2 12/2017 Jungnickel et al.
 9,870,613 B2 1/2018 Wu et al.
 9,882,986 B2 1/2018 Patel
 10,172,443 B2 1/2019 Wang et al.
 10,258,142 B2 4/2019 Knickerbocker et al.
 10,271,934 B2 4/2019 Huy et al.
 10,349,733 B2 7/2019 Serval et al.
 D881,584 S 4/2020 Porter et al.
 10,687,925 B2 6/2020 Storkel et al.
 D912,989 S 3/2021 Albay et al.
 D922,074 S 6/2021 Okai et al.
 D930,988 S 9/2021 Albay et al.
 D930,989 S 9/2021 Albay et al.
 D932,777 S 10/2021 Albay et al.
 2007/0261185 A1 11/2007 Guney et al.

2012/0171657 A1 7/2012 Ortins et al.
 2013/0000670 A1 1/2013 Binner et al.
 2013/0091645 A1 4/2013 Suwanbutr
 2016/0113495 A1 4/2016 Nanjundappa et al.
 2016/0242652 A1 8/2016 Van Putten et al.
 2018/0168332 A1 6/2018 Wagner et al.
 2019/0082819 A1 3/2019 Katano et al.
 2021/0145539 A1 5/2021 Greve
 2021/0186199 A1 6/2021 Curtis et al.
 2021/0186414 A1 * 6/2021 Gatzemeyer A61B 5/0088
 2021/0186671 A1 6/2021 Gatzemeyer et al.
 2021/0259535 A1 * 8/2021 Shani A61B 1/00096

FOREIGN PATENT DOCUMENTS

CN 305241918 S 7/2019
 GB 2555417 5/2018
 JP D1156944 10/2002
 JP D1156945 10/2002
 JP D1620904 12/2018
 JP D1621162 12/2018
 JP D1621163 12/2018
 JP D1642037 9/2019
 KR 30-03234020001 5/2003
 KR 30-04393390000 2/2007
 TW D189579 4/2018
 WO 1998/15236 4/1998
 WO 2010/106524 9/2010
 WO 2014/037888 3/2014
 WO 2016/046701 3/2016
 WO 2016/176783 11/2016
 WO 2017/029469 2/2017

* cited by examiner

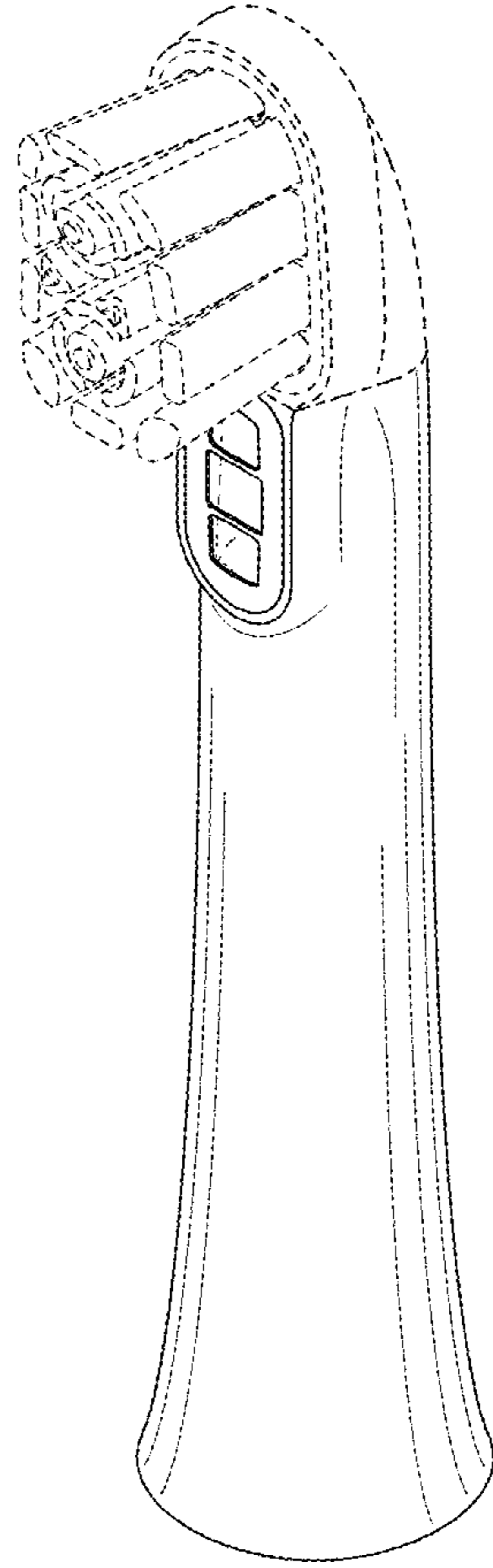


FIG. 1

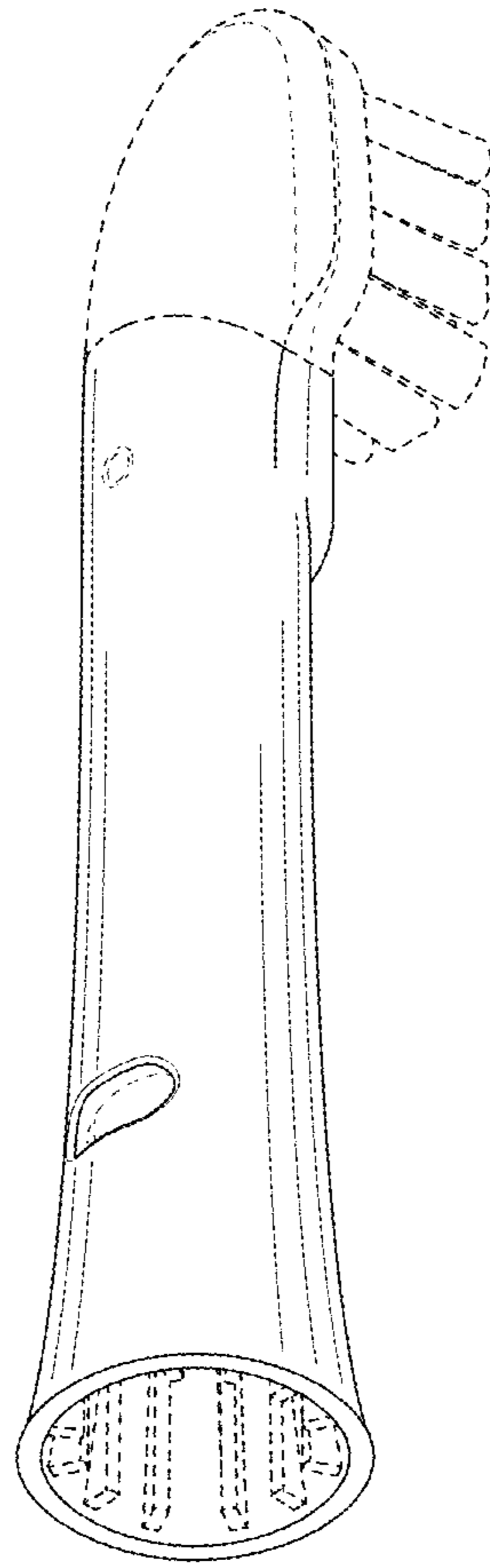


FIG. 2

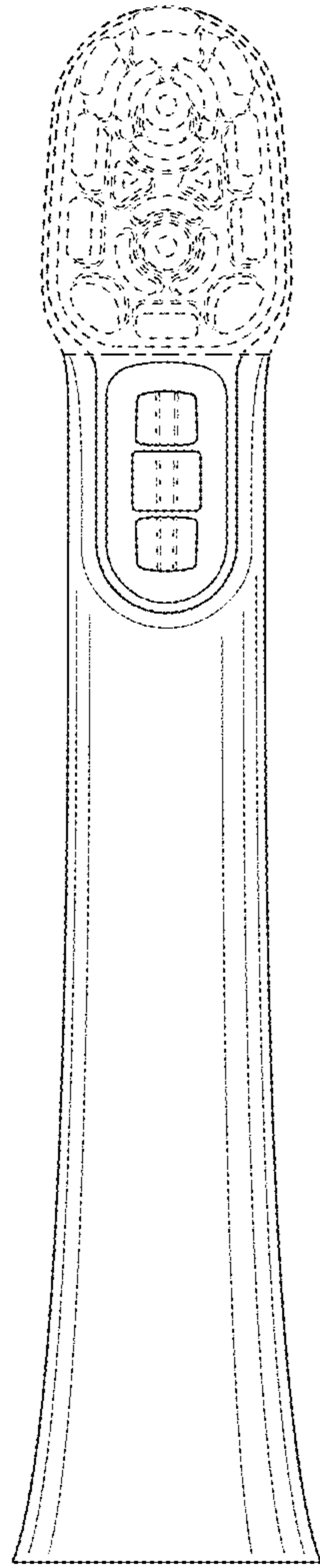


FIG. 3

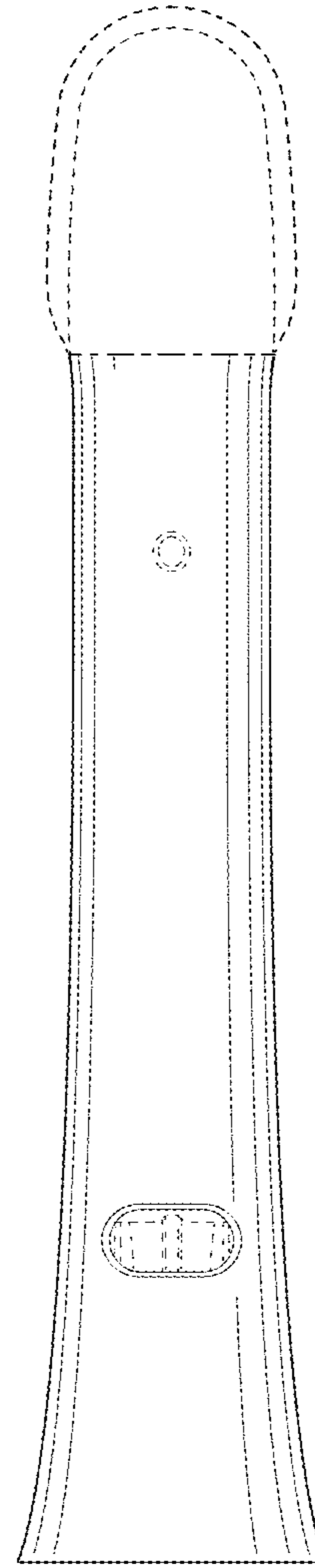


FIG. 4

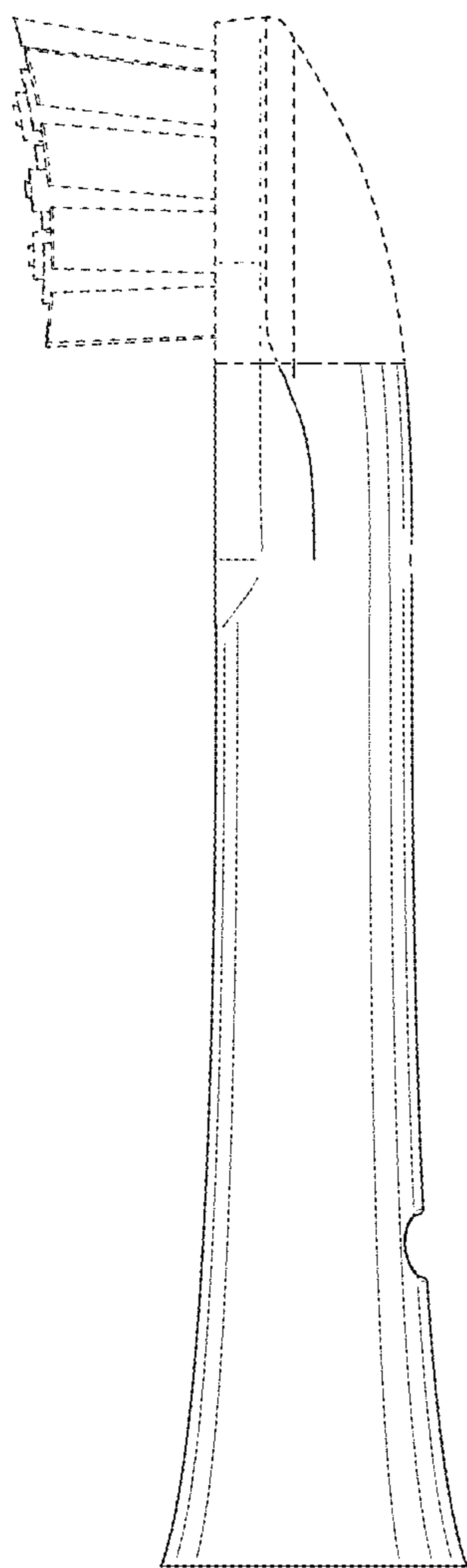


FIG. 5

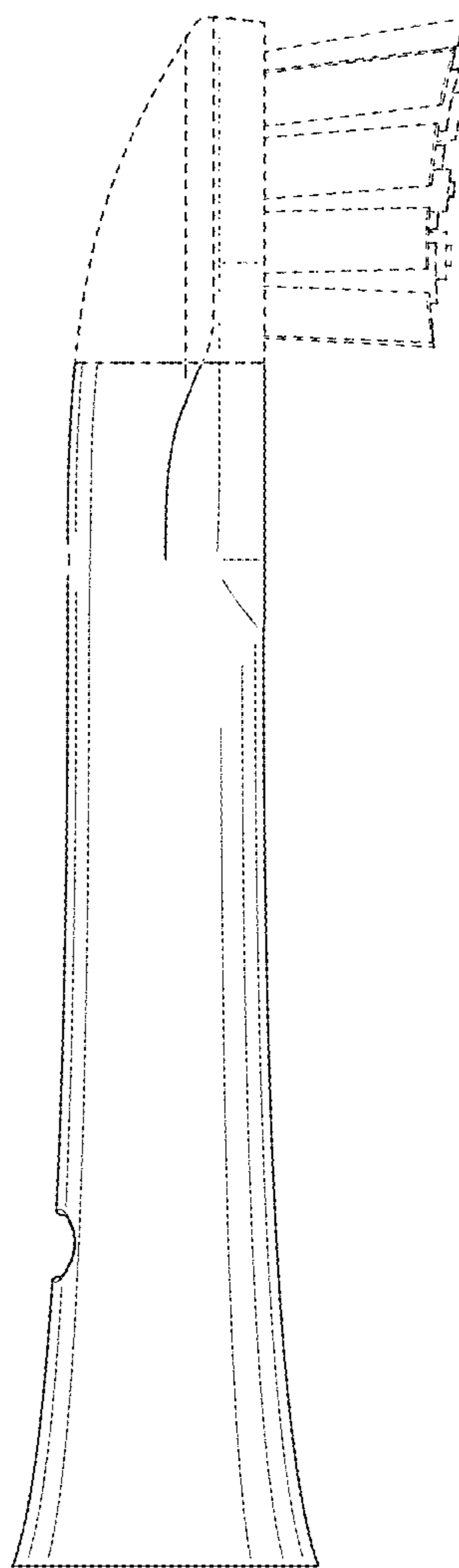


FIG. 6

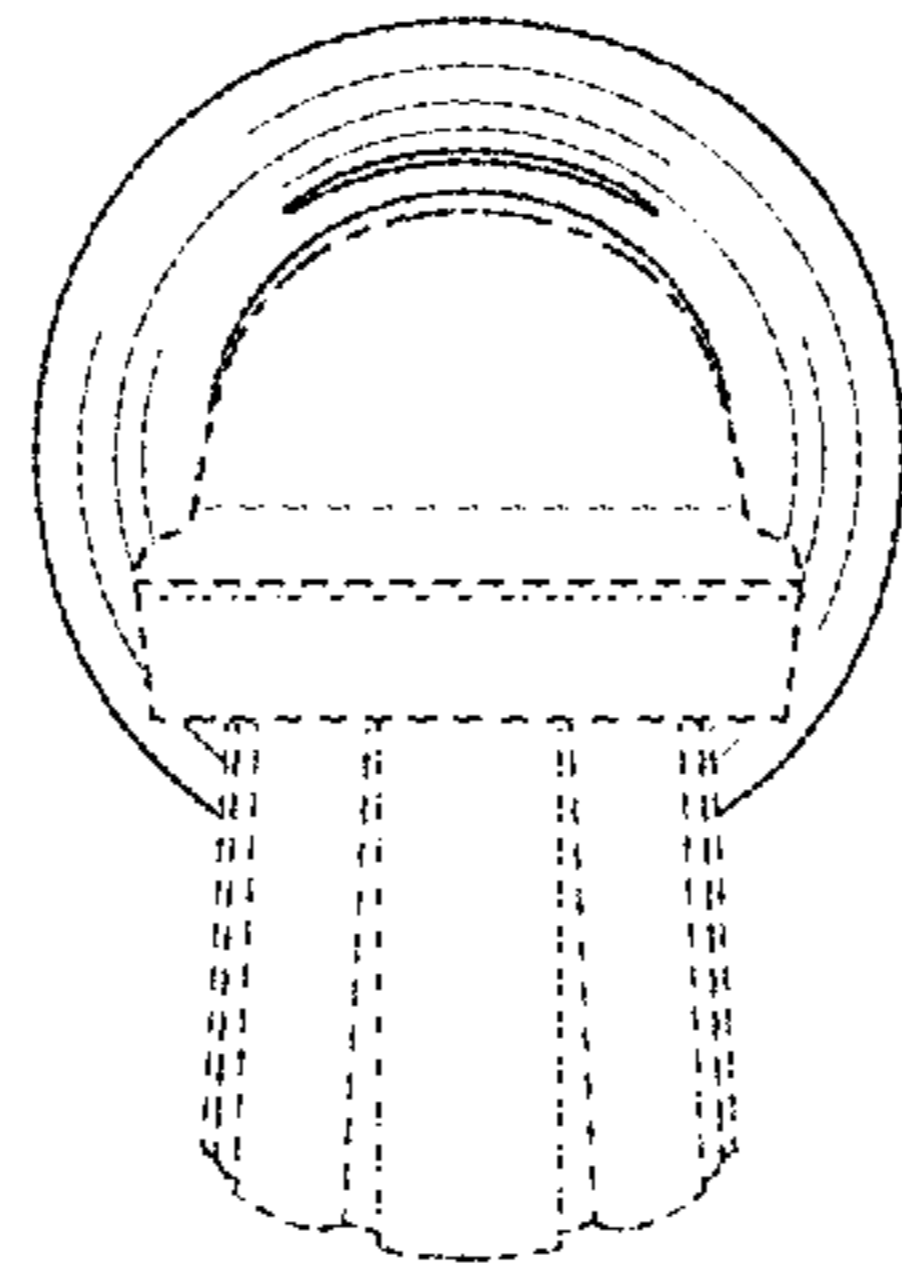


FIG. 7

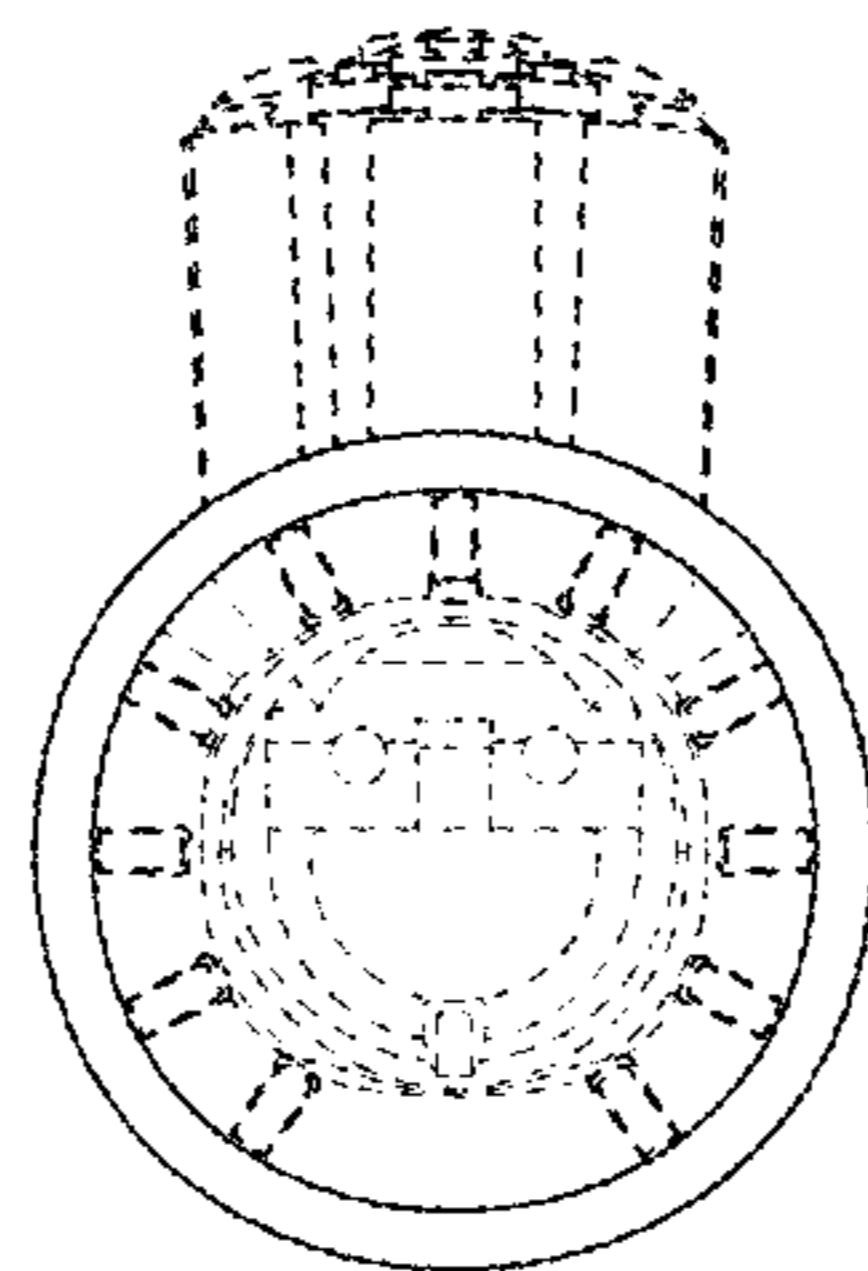


FIG. 8