

US00D967631S

(12) **United States Design Patent**  
**Greenwood**

(10) **Patent No.:** **US D967,631 S**  
(45) **Date of Patent:** **\*\* Oct. 25, 2022**

(54) **ROLLING TRAY**

(71) Applicant: **Youcopia Products, Inc.**, Chicago, IL (US)

(72) Inventor: **Mark Greenwood**, Arlington Heights, IL (US)

(73) Assignee: **YouCopia Products, Inc.**, Chicago, IL (US)

(\*\*) Term: **15 Years**

(21) Appl. No.: **29/745,496**

(22) Filed: **Aug. 6, 2020**

**Related U.S. Application Data**

(63) Continuation-in-part of application No. 29/727,561, filed on Mar. 11, 2020.

(51) **LOC (13) Cl.** ..... **09-04**

(52) **U.S. Cl.**  
USPC ..... **D3/307; D3/304**

(58) **Field of Classification Search**  
USPC ..... **D3/272, 304-315, 318-319, 321, D3/901-902; D6/672-673, 675, 675.1,**  
(Continued)

(56) **References Cited**

**U.S. PATENT DOCUMENTS**

D265,768 S \* 8/1982 Howley ..... D19/90  
D274,967 S \* 8/1984 Taylor ..... D3/304  
(Continued)

**OTHER PUBLICATIONS**

Rolling Storage Bin with Wheels on the Bottom, first available Sep. 10, 2020, amazon.com [online], [site visited Apr. 8, 2021], Available at internet URL: [https://www.amazon.com/Rolling-Storage-Bin-Wheels-Bottom/dp/B08HSDRJ1N/ref=asc\\_df\\_B08HSDRJ1N/?tag=hyprod-20&linkCode=df0&hvadid=497792254487&hvpos=&hvnetw=](https://www.amazon.com/Rolling-Storage-Bin-Wheels-Bottom/dp/B08HSDRJ1N/ref=asc_df_B08HSDRJ1N/?tag=hyprod-20&linkCode=df0&hvadid=497792254487&hvpos=&hvnetw=)

g&hvrand=16430129264561417442&hvpone=&hvptwo=&hvqmt=&hvdev=c&hvdvcmld=&hvlocint=&hvlocphy=9008156&hvtargid=pla-1203432952703&psc=1.\*

(Continued)

*Primary Examiner* — April Rivas  
*Assistant Examiner* — Caitlin A Laverty

(74) *Attorney, Agent, or Firm* — Lowe Graham Jones PLLC

(57) **CLAIM**

I claim the ornamental design for a rolling tray, as shown and described.

**DESCRIPTION**

FIGS. 1-7 show a first embodiment of a rolling tray, showing my new design.

FIG. 1 is a top perspective view of a rolling tray.  
FIG. 2 is a front elevational view of the rolling tray, the rear elevational view being a mirror image.

FIG. 3 is a left side elevational view of the rolling tray.  
FIG. 4 is a right side elevational view of the rolling tray.  
FIG. 5 is a top plan view of the rolling tray.

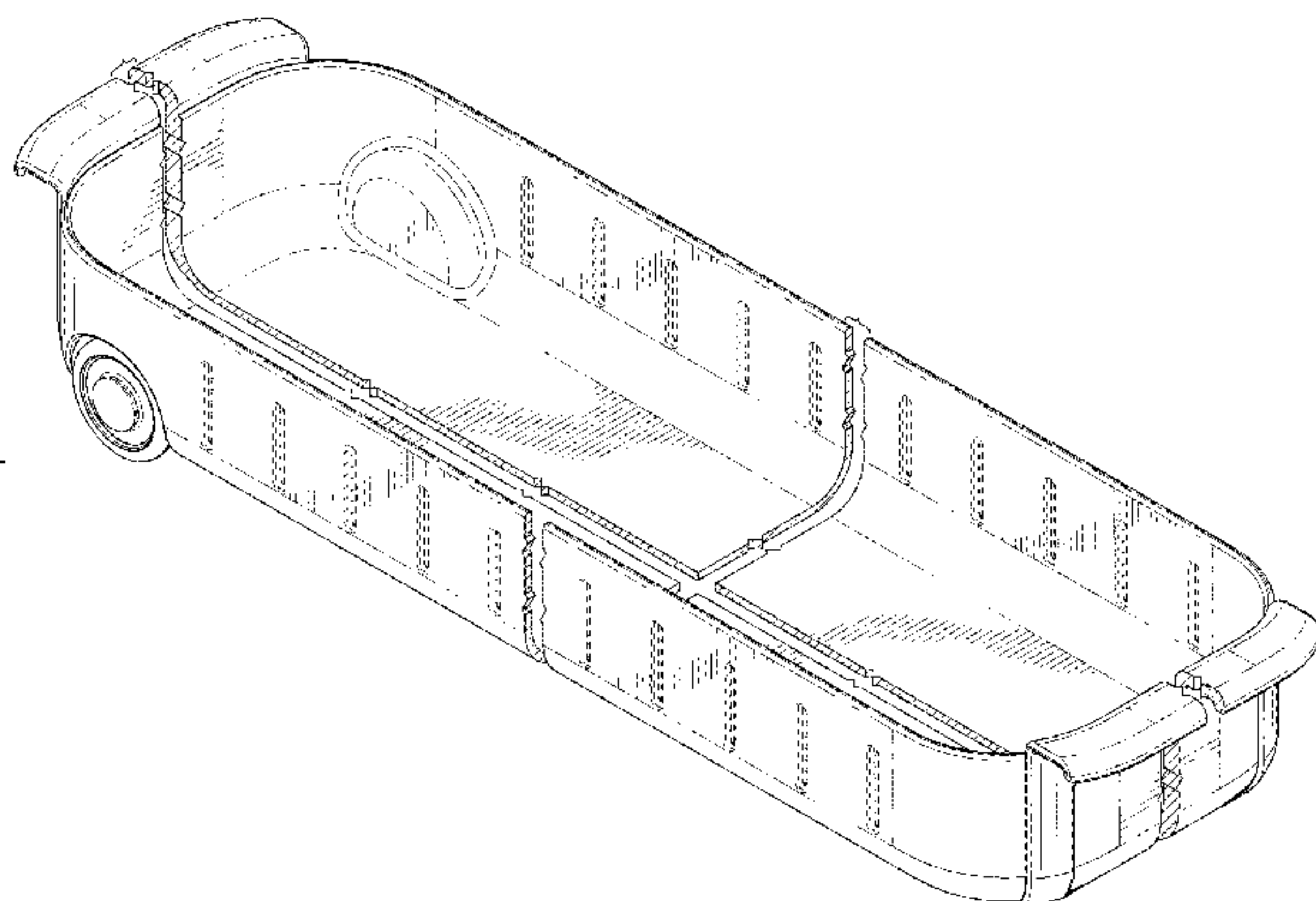
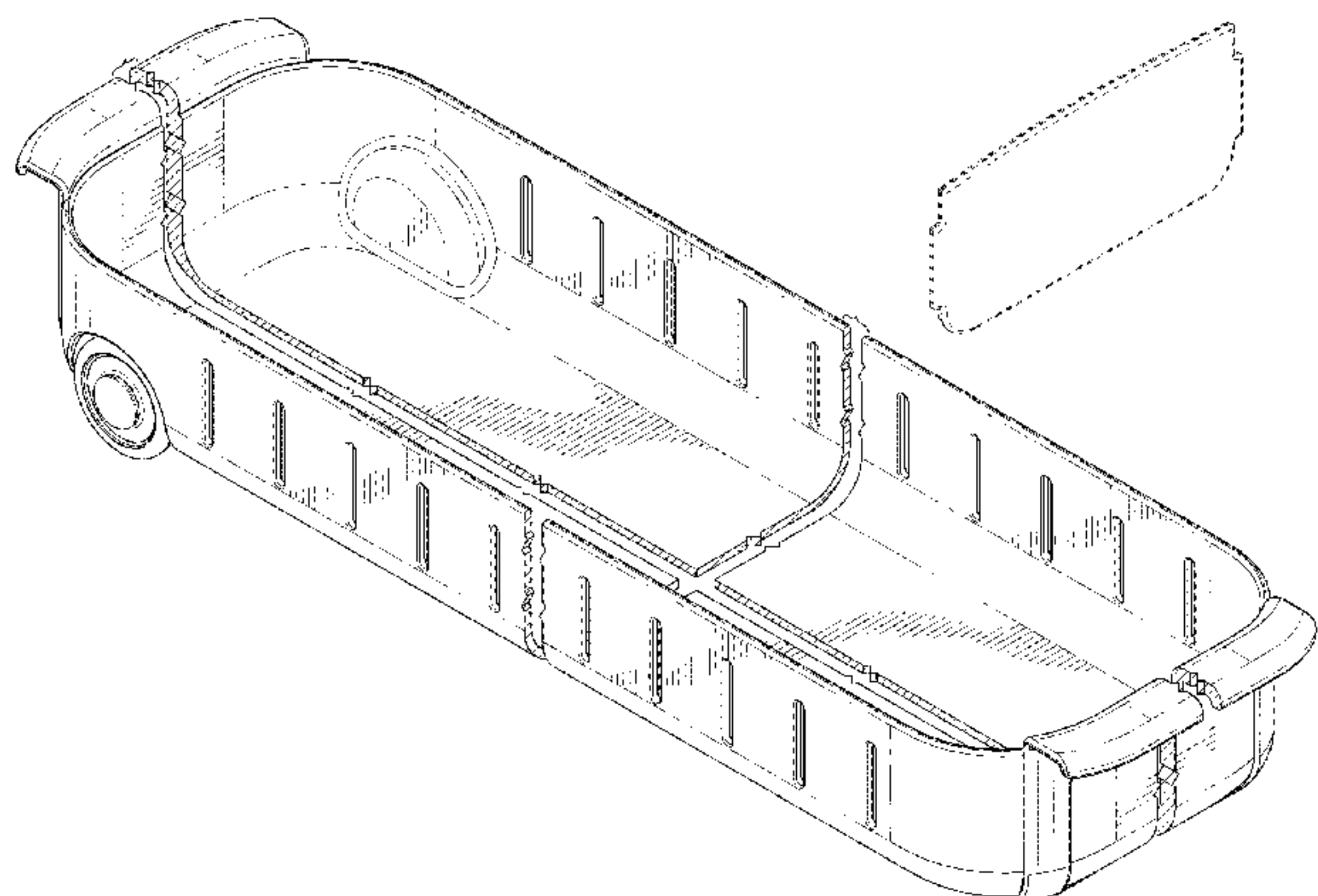
FIG. 6 is a bottom plan view of the rolling tray.  
FIG. 7 is a top perspective exploded view of a rolling tray.  
FIGS. 8-13 show a second embodiment of a rolling tray.

FIG. 8 is a top perspective view of the rolling tray.  
FIG. 9 is a front elevational view of the rolling tray, the rear elevational view being a mirror image.

FIG. 10 is a left side elevational view of the rolling tray.  
FIG. 11 is a right side elevational view of the rolling tray.  
FIG. 12 is a top plan view of the rolling tray; and,  
FIG. 13 is a bottom plan view of the rolling tray.

The broken lines depict portions of the article that form no part of the claimed design. The broken lines in FIG. 7 shows a divider in the environment and forms no part of the claimed design. The rolling tray is shown with a symbolic break in its length and width. The appearance of any portion of the article between the break lines forms no part of the claimed design.

**1 Claim, 13 Drawing Sheets**



(58) **Field of Classification Search**

USPC ..... D6/683, 683.1, 583; D7/600, 600.1;  
D15/89; D34/17, 24  
CPC ... B65D 1/00; B65D 1/22; B65D 1/24; B65D  
1/34; B65D 1/36; B65D 1/38; B65D  
1/225; B65D 1/243; B65D 5/00; B65D  
5/42; B65D 7/14; B65D 11/00; B65D  
11/14; B65D 11/20; B65D 19/00; B65D  
19/02; B65D 21/00; B65D 21/02; B65D  
43/162; B65D 71/0003; B65D 81/3813;  
B65D 81/02; B65D 2543/00194; B65D  
2543/00296; B65D 2543/00222

See application file for complete search history.

(56)

**References Cited**

U.S. PATENT DOCUMENTS

D335,309 S \* 5/1993 Evenson ..... D19/75  
D344,695 S \* 3/1994 Baumann ..... D12/223  
D374,819 S \* 10/1996 Wells ..... D9/425  
D387,558 S \* 12/1997 Mann ..... D3/307  
D463,648 S \* 9/2002 Johnson ..... D34/12  
D467,732 S \* 12/2002 Taylor ..... D3/304  
D468,663 S \* 1/2003 Fan ..... D11/156  
D530,919 S \* 10/2006 Snell ..... D3/304  
D551,453 S \* 9/2007 Snell ..... D3/304

D555,904 S \* 11/2007 Snell ..... D3/304  
D628,802 S \* 12/2010 Kraemer ..... D3/318  
D663,525 S \* 7/2012 Rhoades ..... D3/314  
D734,611 S \* 7/2015 Baruch ..... D3/313  
D743,171 S \* 11/2015 Reinhart ..... D3/304  
D747,102 S \* 1/2016 Kraemer ..... D3/307  
D772,575 S \* 11/2016 Stelmarski ..... D3/304  
D781,585 S \* 3/2017 Levie ..... D3/310  
D815,835 S \* 4/2018 Levie ..... D3/310  
D874,827 S \* 2/2020 Li ..... D3/313  
D884,347 S \* 5/2020 Nelson ..... D3/318  
D904,030 S \* 12/2020 Piccininni ..... D3/304  
2016/0107803 A1 \* 4/2016 Reinhart ..... B65D 43/0208  
220/315

OTHER PUBLICATIONS

RollOut Under Sink Caddy, 5", unknown first available date, youcopia.com [online], [site visited Apr. 8, 2021], Available at internet URL: [https://youcopia.com/collections/woomaker/products/rollout-under-sink-caddy-5?\\_pos=2&\\_sid=2d1aad7de&\\_ss=r](https://youcopia.com/collections/woomaker/products/rollout-under-sink-caddy-5?_pos=2&_sid=2d1aad7de&_ss=r) (Year: 2021).\*

RollOut Fridge Caddy, 4"x15", unknown first available date, youcopia.com [online], [site visited Apr. 8, 2021], Available at internet URL: [https://youcopia.com/collections/woomaker/products/rollout-fridge-caddy-4-x-15?\\_pos=4&\\_sid=2d1aad7de&\\_ss=r](https://youcopia.com/collections/woomaker/products/rollout-fridge-caddy-4-x-15?_pos=4&_sid=2d1aad7de&_ss=r) (Year: 2021).\*

\* cited by examiner



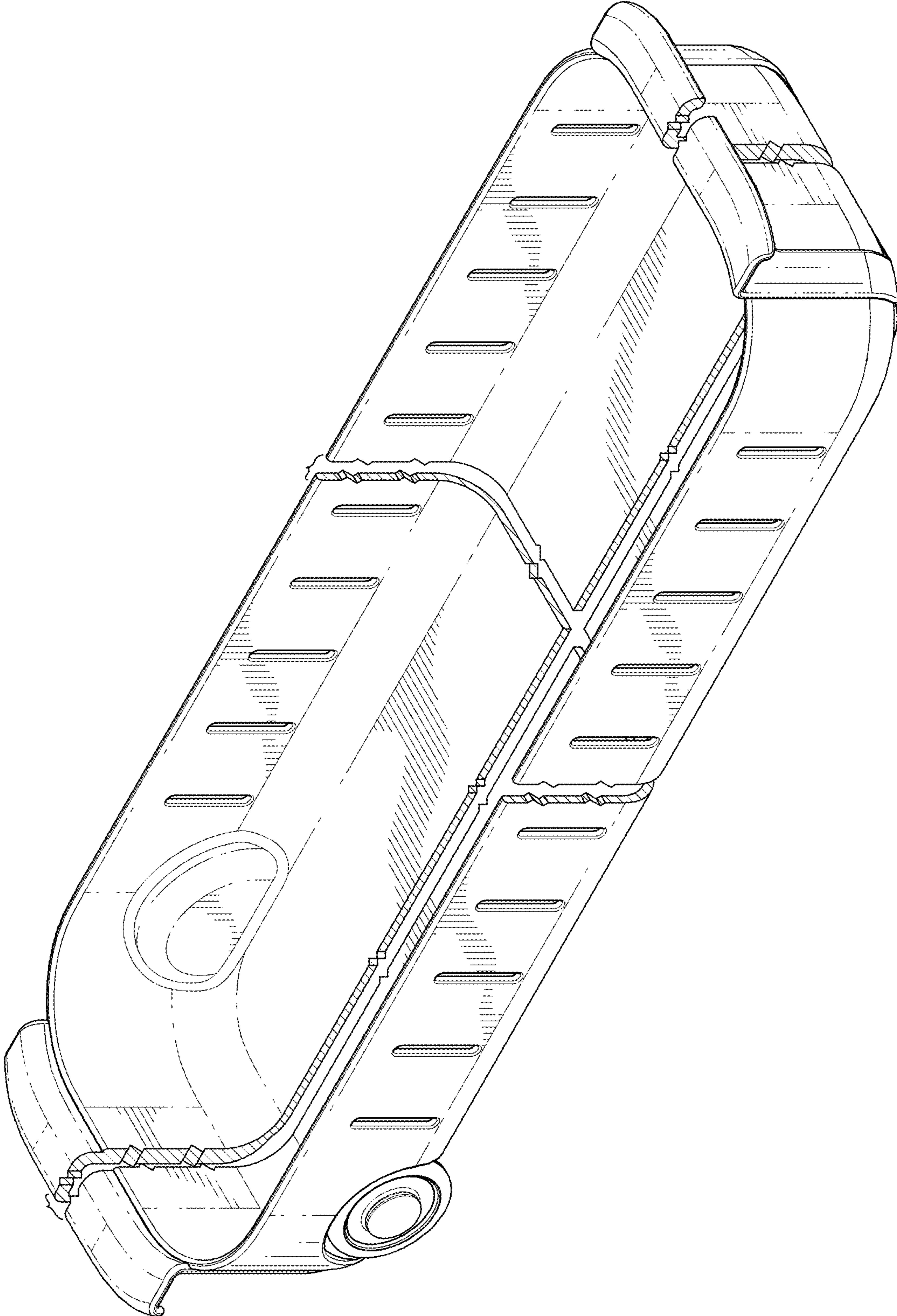


FIG. 1

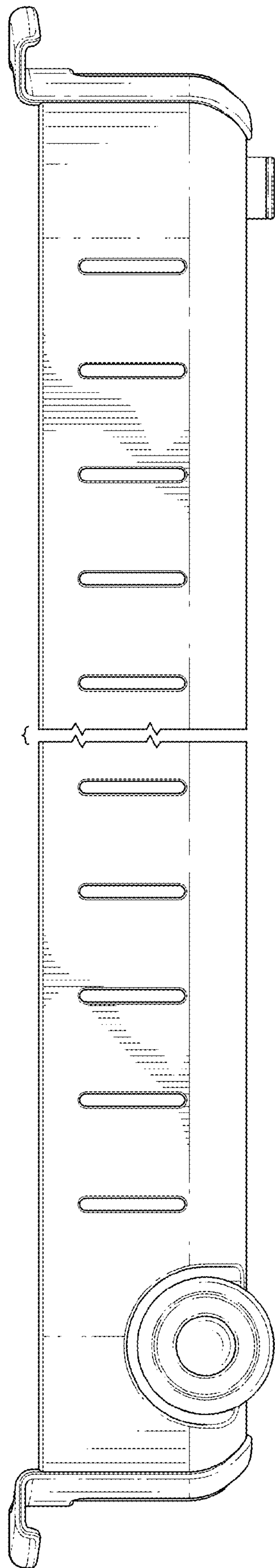


FIG. 2

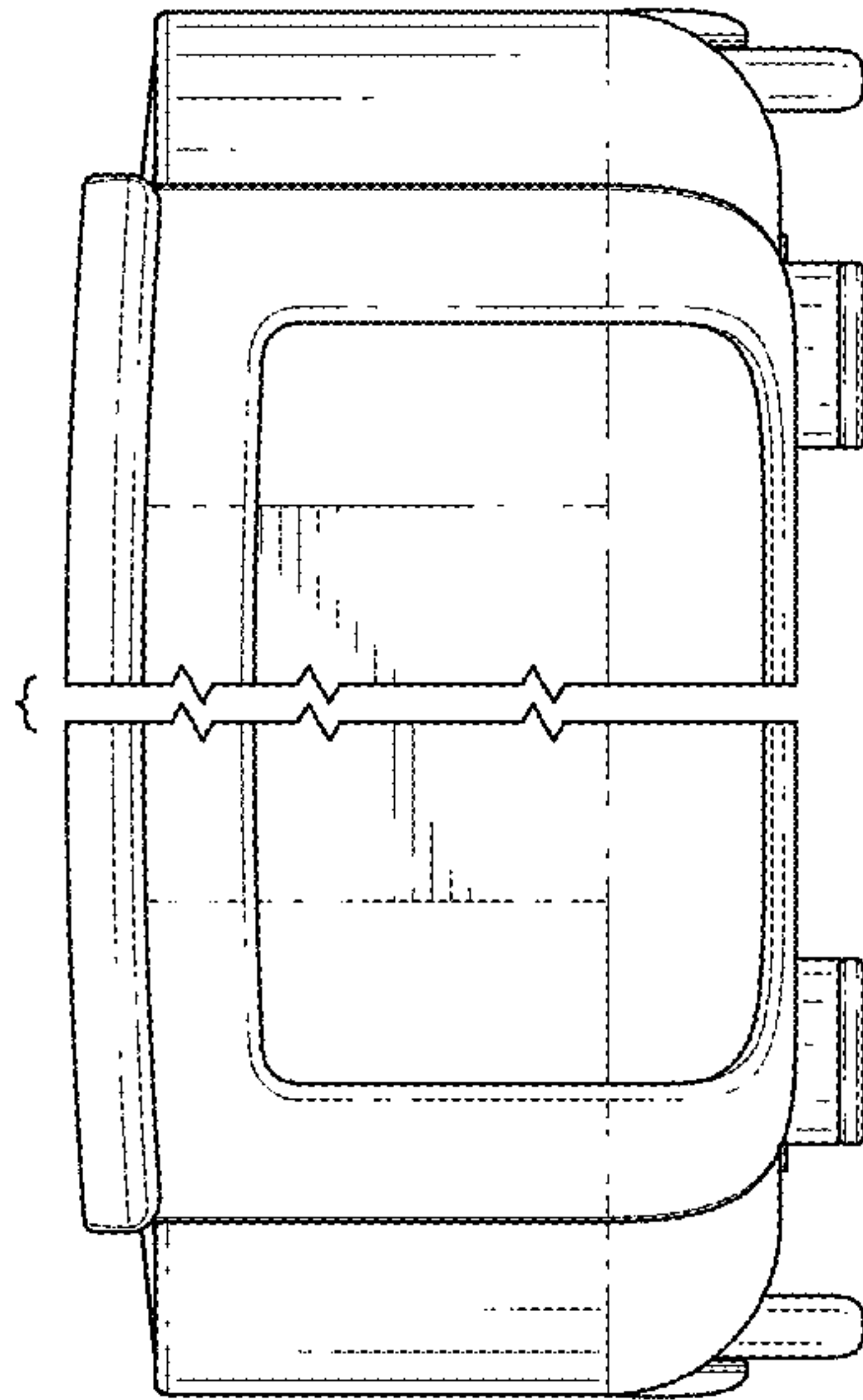


FIG. 3

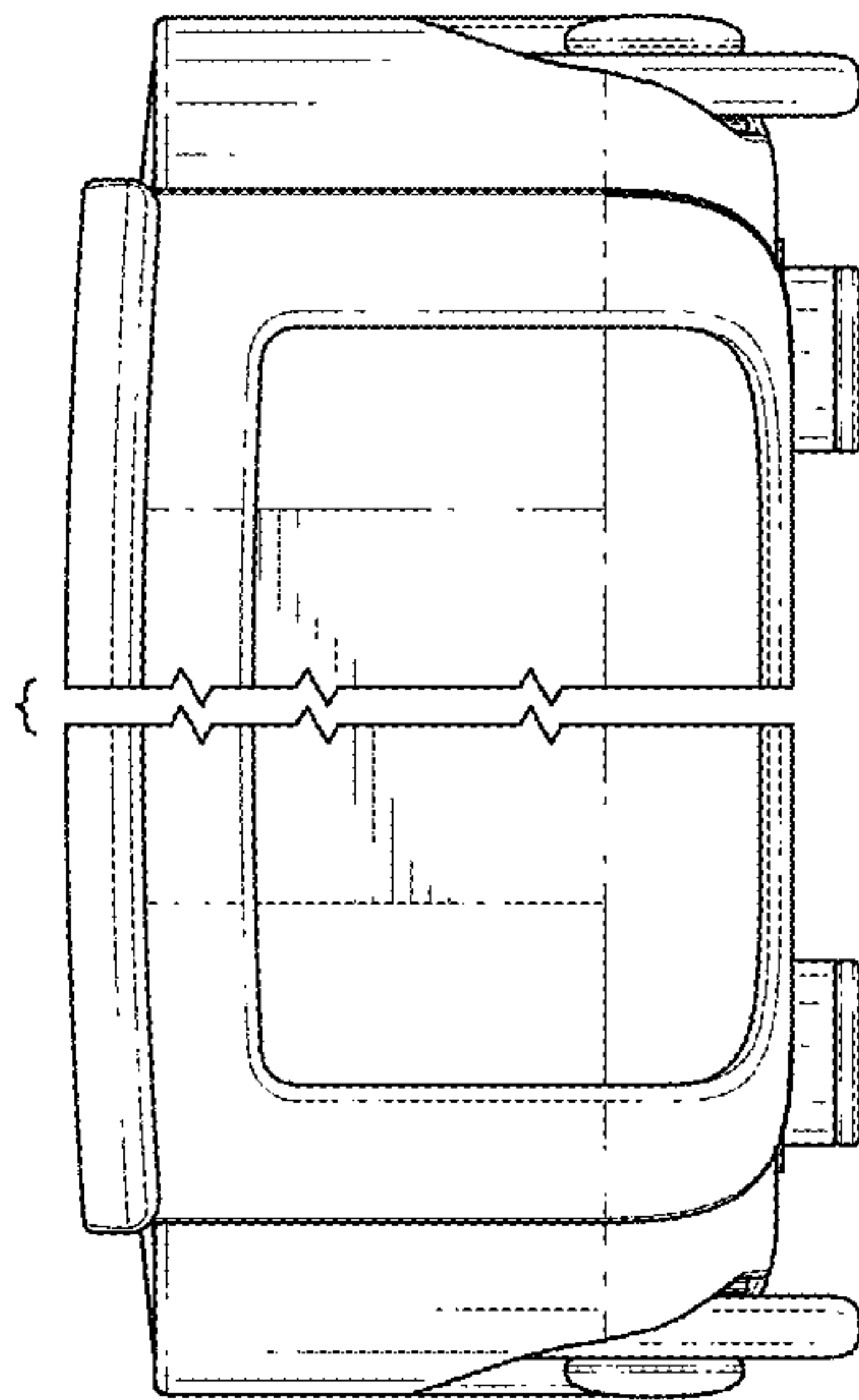


FIG.4

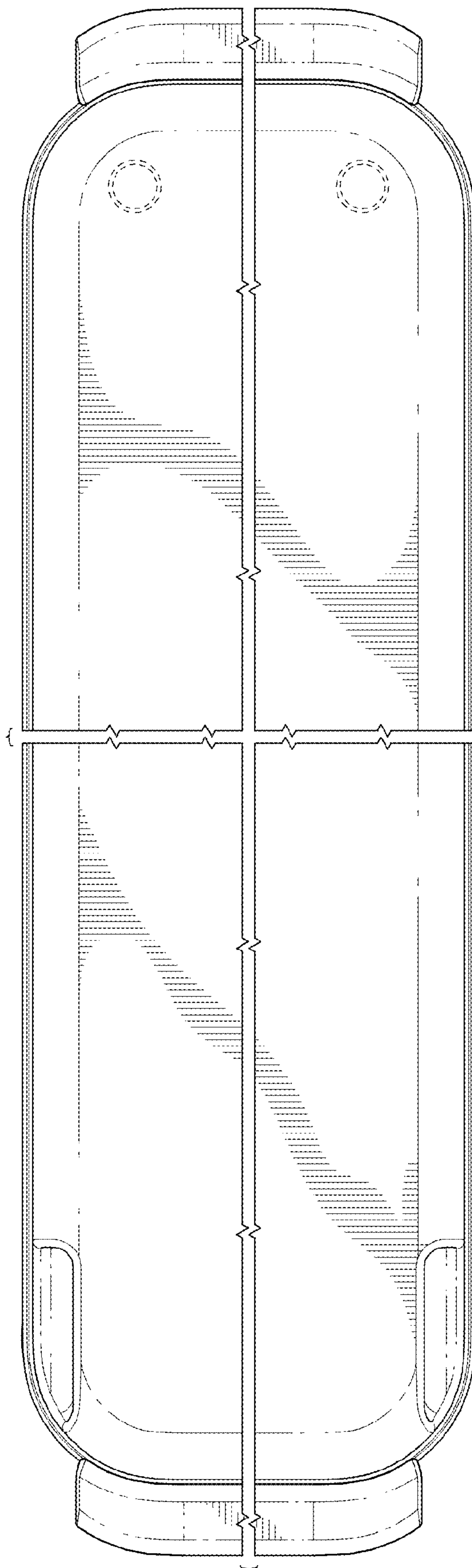


FIG. 5

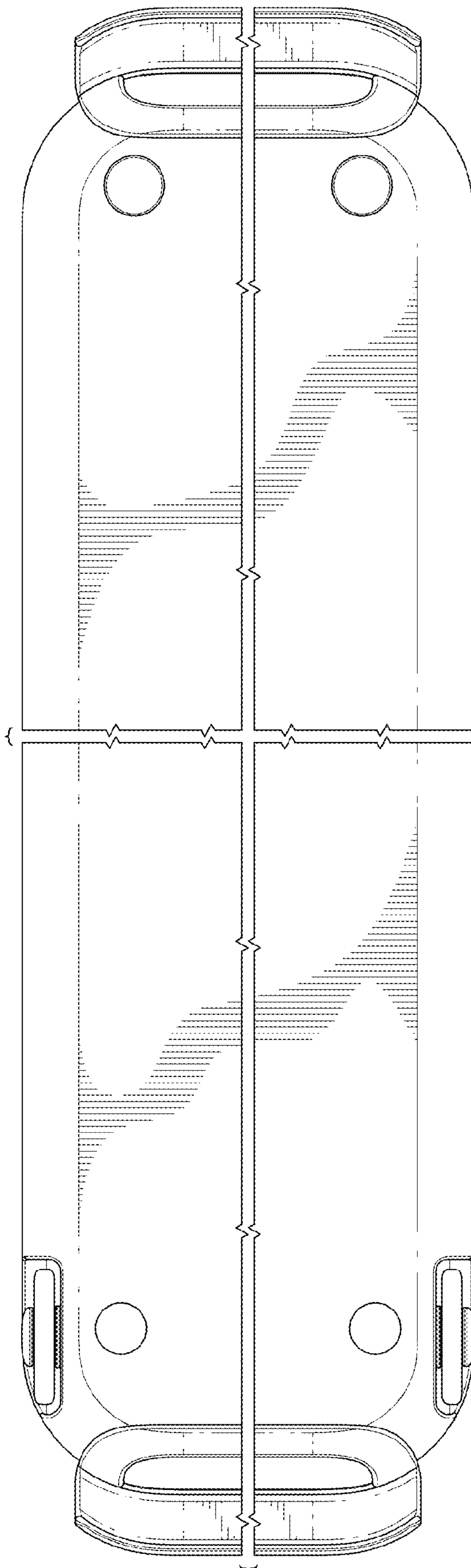


FIG. 6



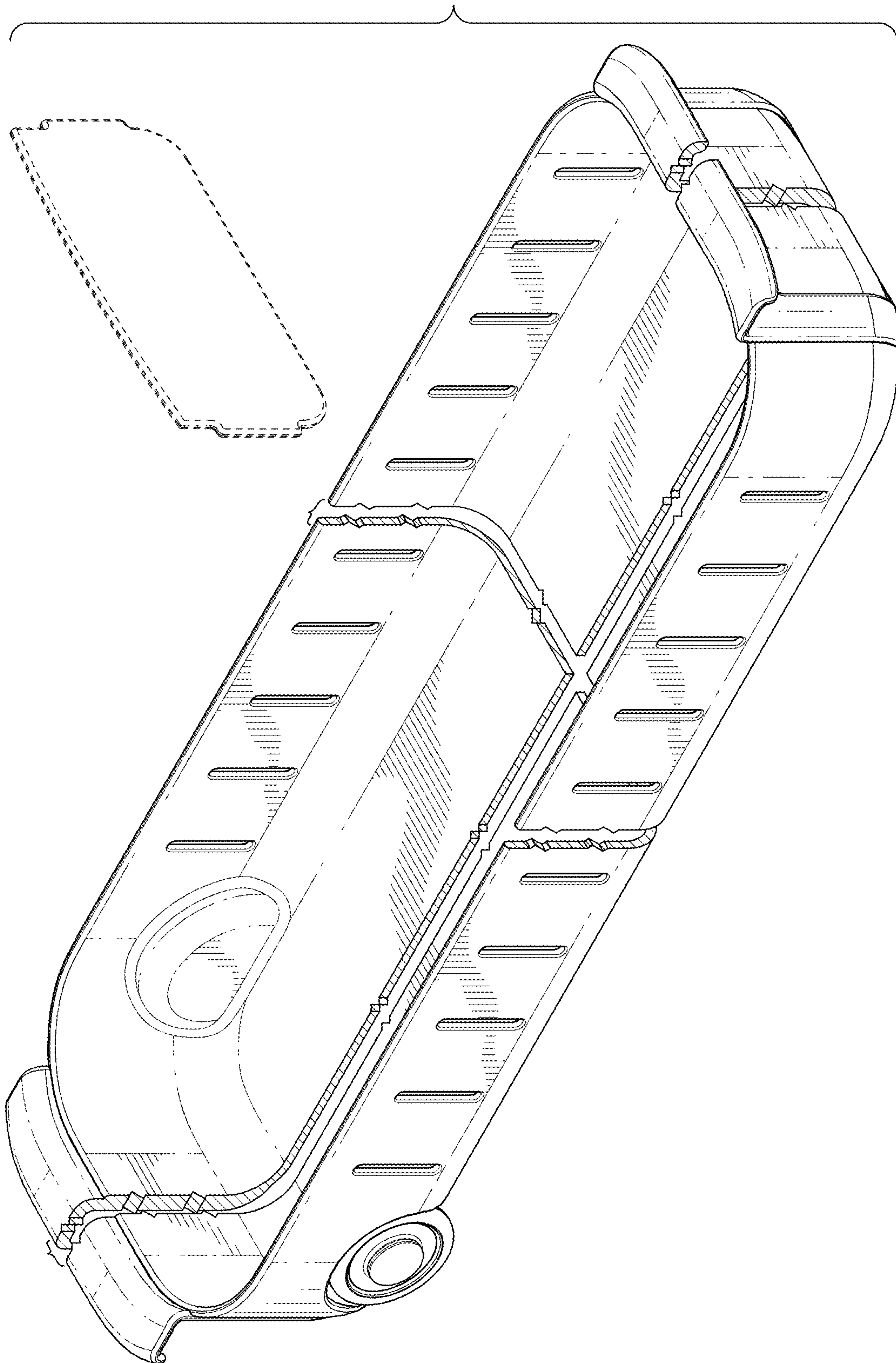


FIG. 7

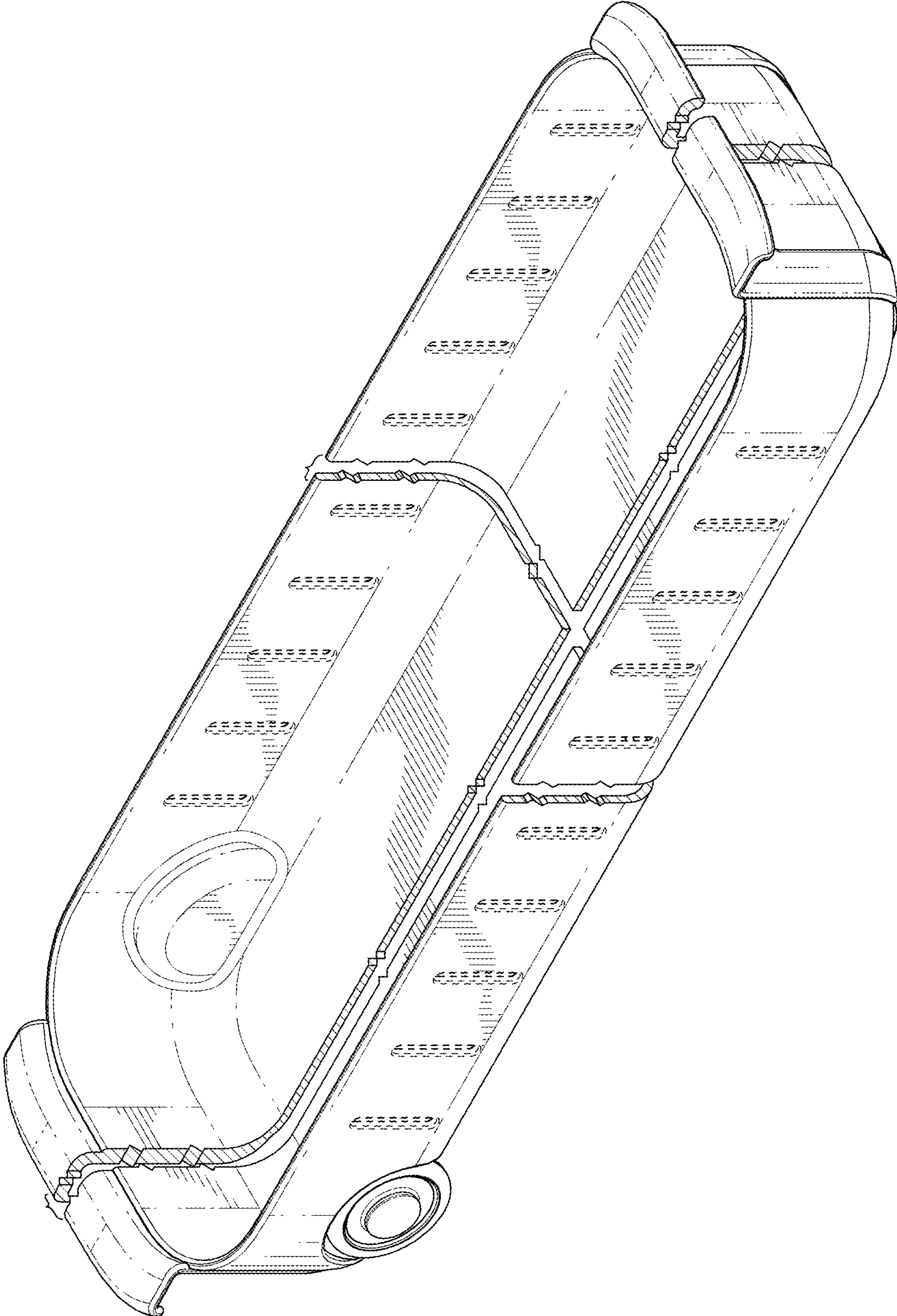


FIG. 8

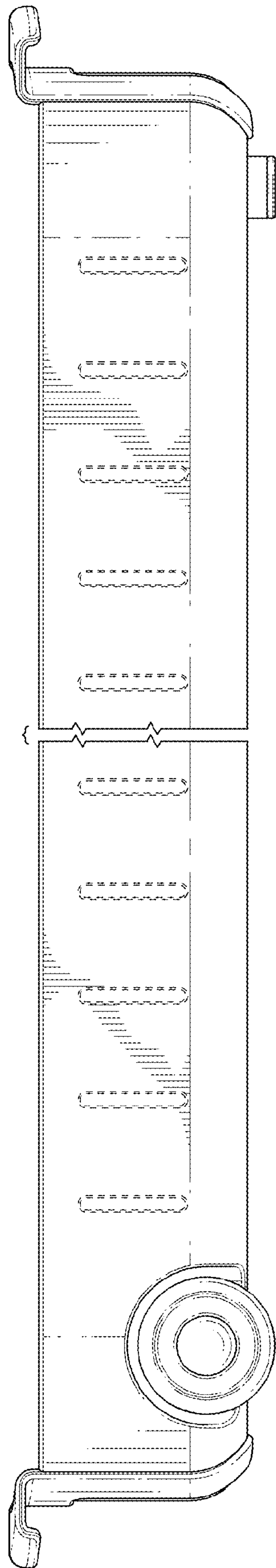


FIG. 9

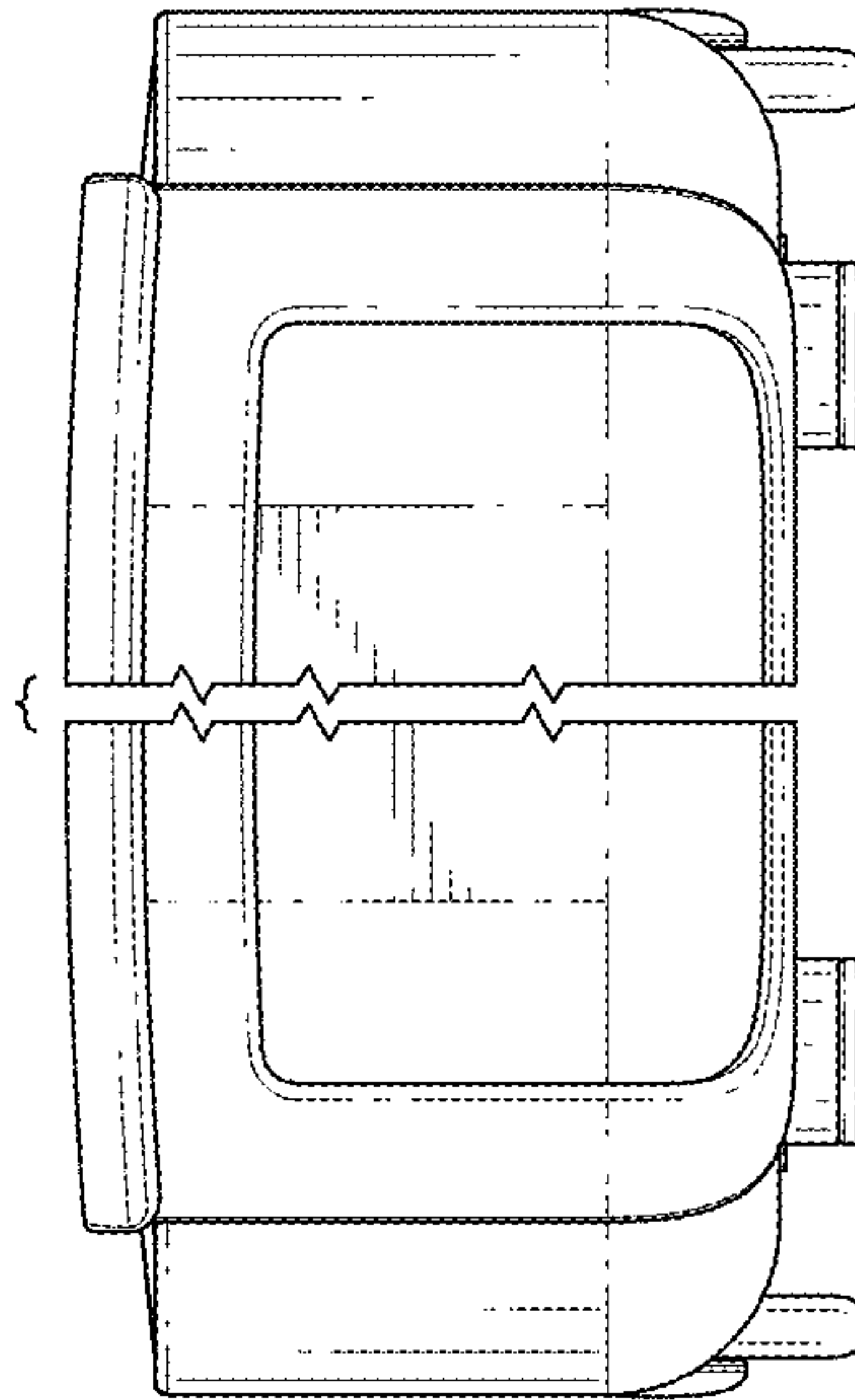


FIG. 10



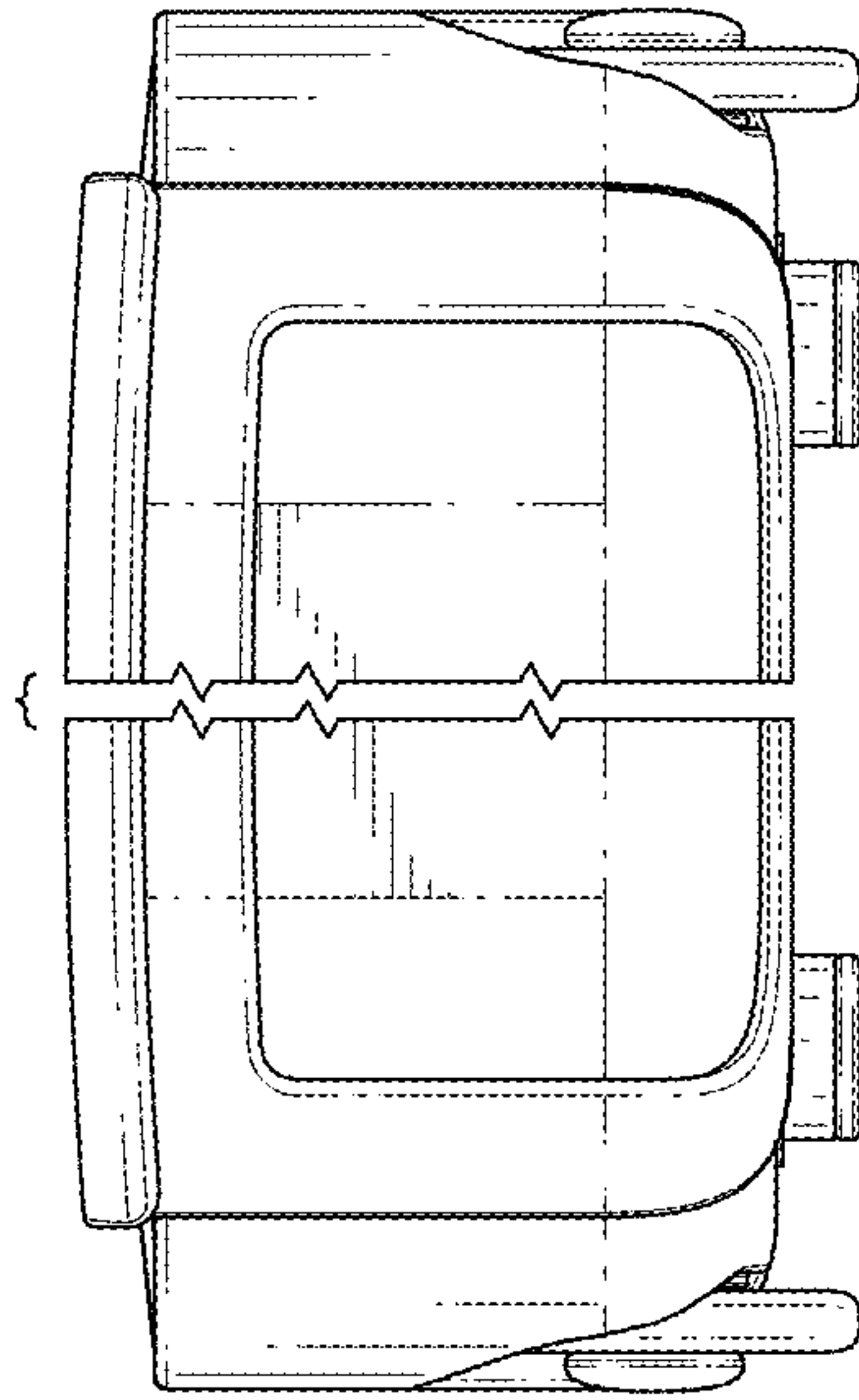


FIG. 11

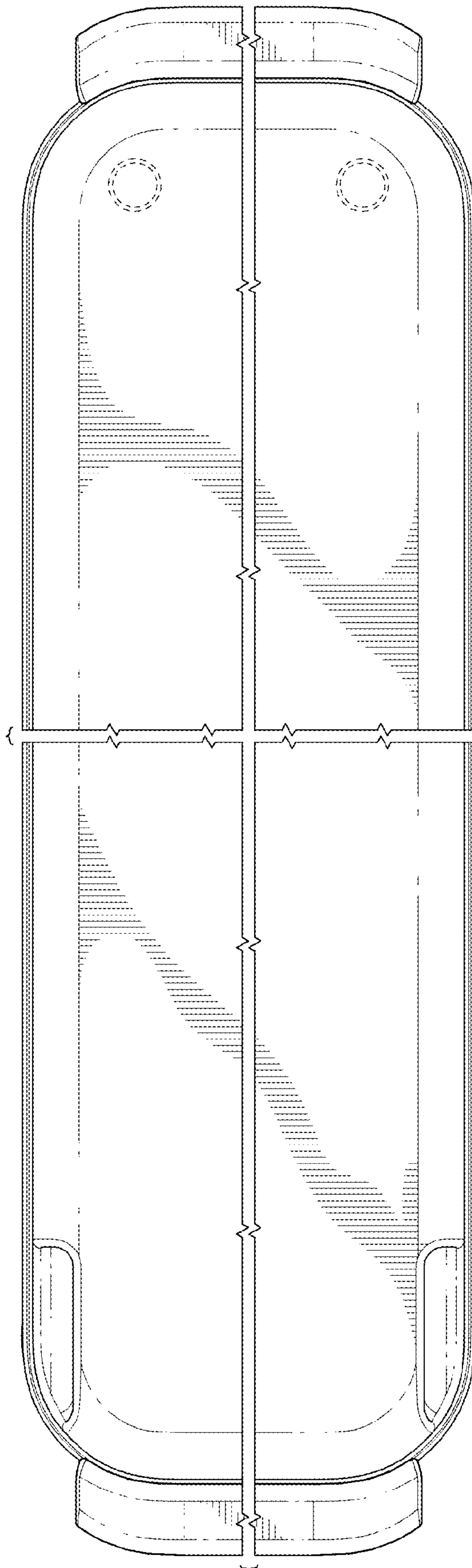


FIG. 12

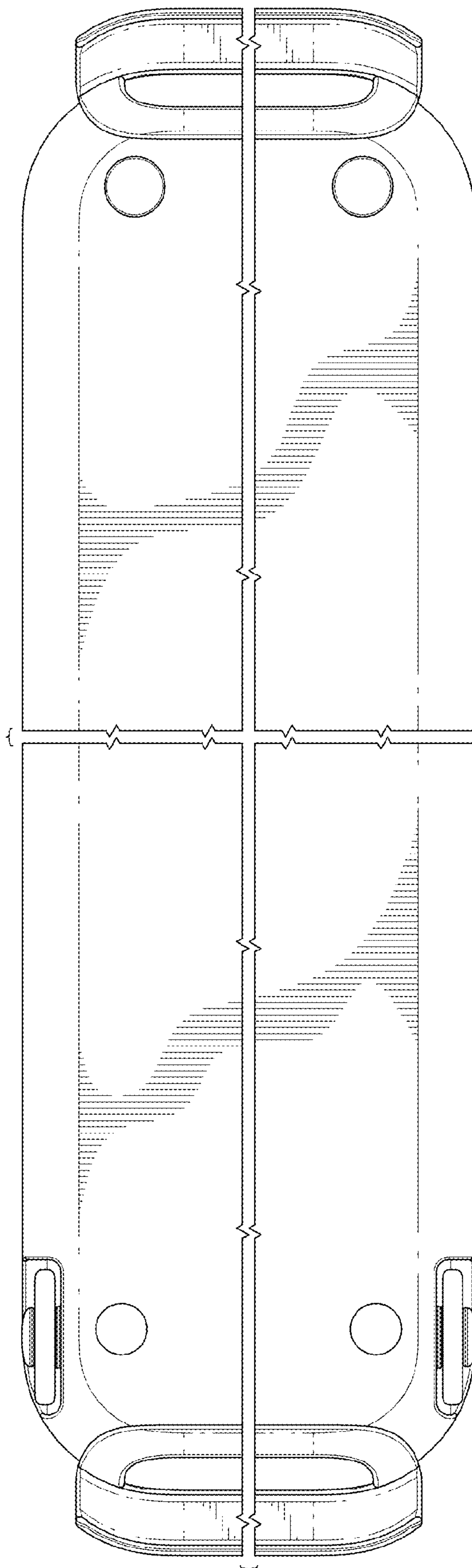


FIG. 13