

US00D967626S

(12) **United States Design Patent**
Tran et al.

(10) **Patent No.:** **US D967,626 S**

(45) **Date of Patent:** **** Oct. 25, 2022**

(54) **WALLET**

(71) Applicants: **Thuan Tran**, San Jose, CA (US);
Charlie Carroll, Palo Alto, CA (US);
Binh Tran, Santa Clara, CA (US)

(72) Inventors: **Thuan Tran**, San Jose, CA (US);
Charlie Carroll, Palo Alto, CA (US);
Binh Tran, Santa Clara, CA (US)

(73) Assignee: **Dango Products, LLC**, Portola Valley,
CA (US)

(**) Term: **15 Years**

(21) Appl. No.: **29/756,447**

(22) Filed: **Oct. 28, 2020**

(51) **LOC (13) Cl.** **03-01**

(52) **U.S. Cl.**
USPC **D3/249**

(58) **Field of Classification Search**
USPC D3/247, 249–253; D11/78.1
CPC ... A45C 1/06; A45C 11/182; A45C 2001/065;
A45C 2001/067
See application file for complete search history.

(56) **References Cited**

U.S. PATENT DOCUMENTS

D187,240 S * 2/1960 Harkins D3/247
D266,479 S 10/1982 Hayakawa
4,932,520 A * 6/1990 Ciarcia B42F 7/06
206/232

(Continued)

OTHER PUBLICATIONS

“A10 Bifold Pen Adapter”, first available Jul. 15, 2020, Dango Products on YouTube.com, site visited Nov. 15, 2021: <https://www.youtube.com/watch?v=7y6fXT8Y0SI> (Year: 2020).*

(Continued)

Primary Examiner — Jennifer L Watkins

Assistant Examiner — Samantha Lynne Brodowski

(74) *Attorney, Agent, or Firm* — Gallium Law; Wesley E. Schwie, Esq.; Isabel Fox

(57) **CLAIM**

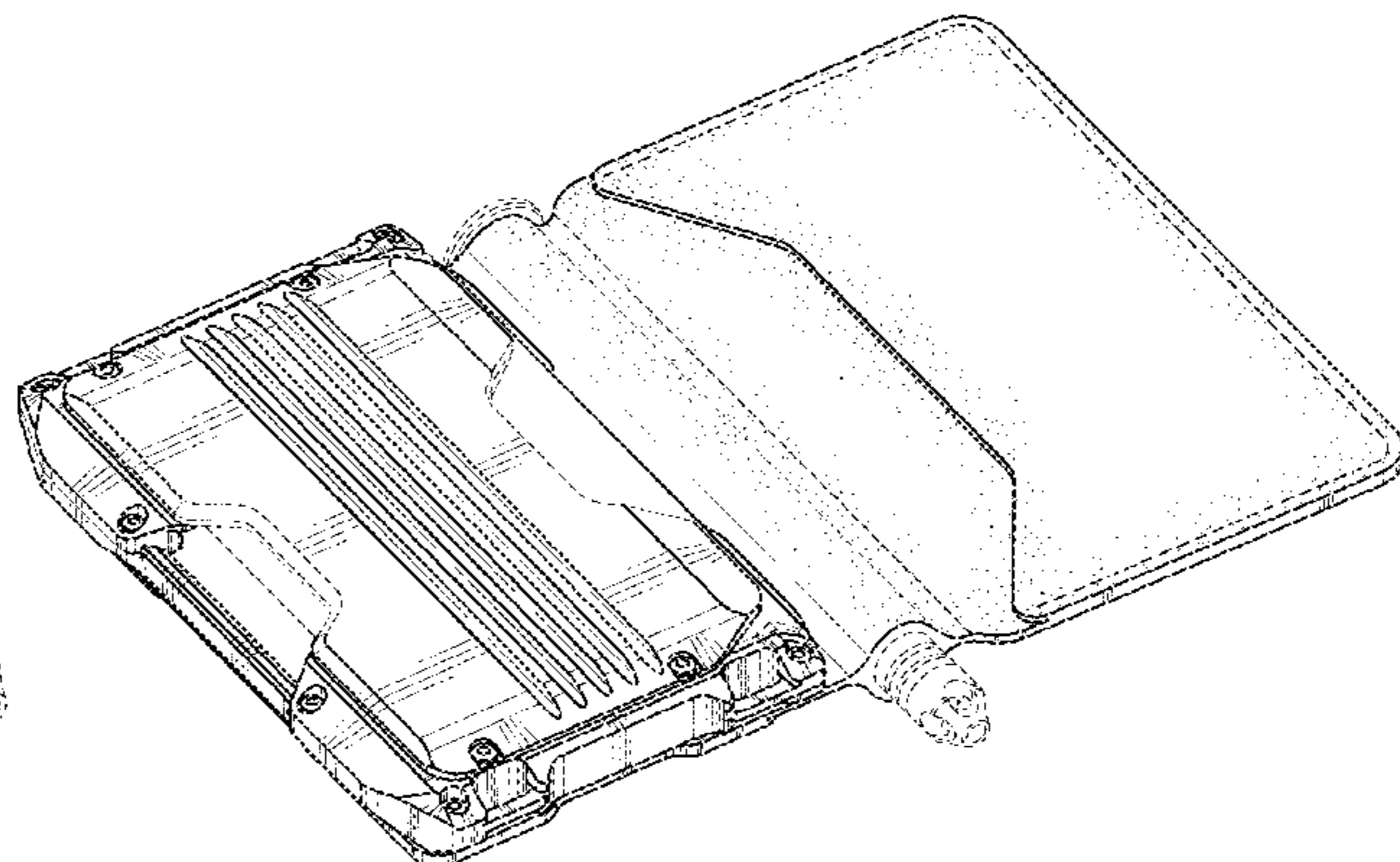
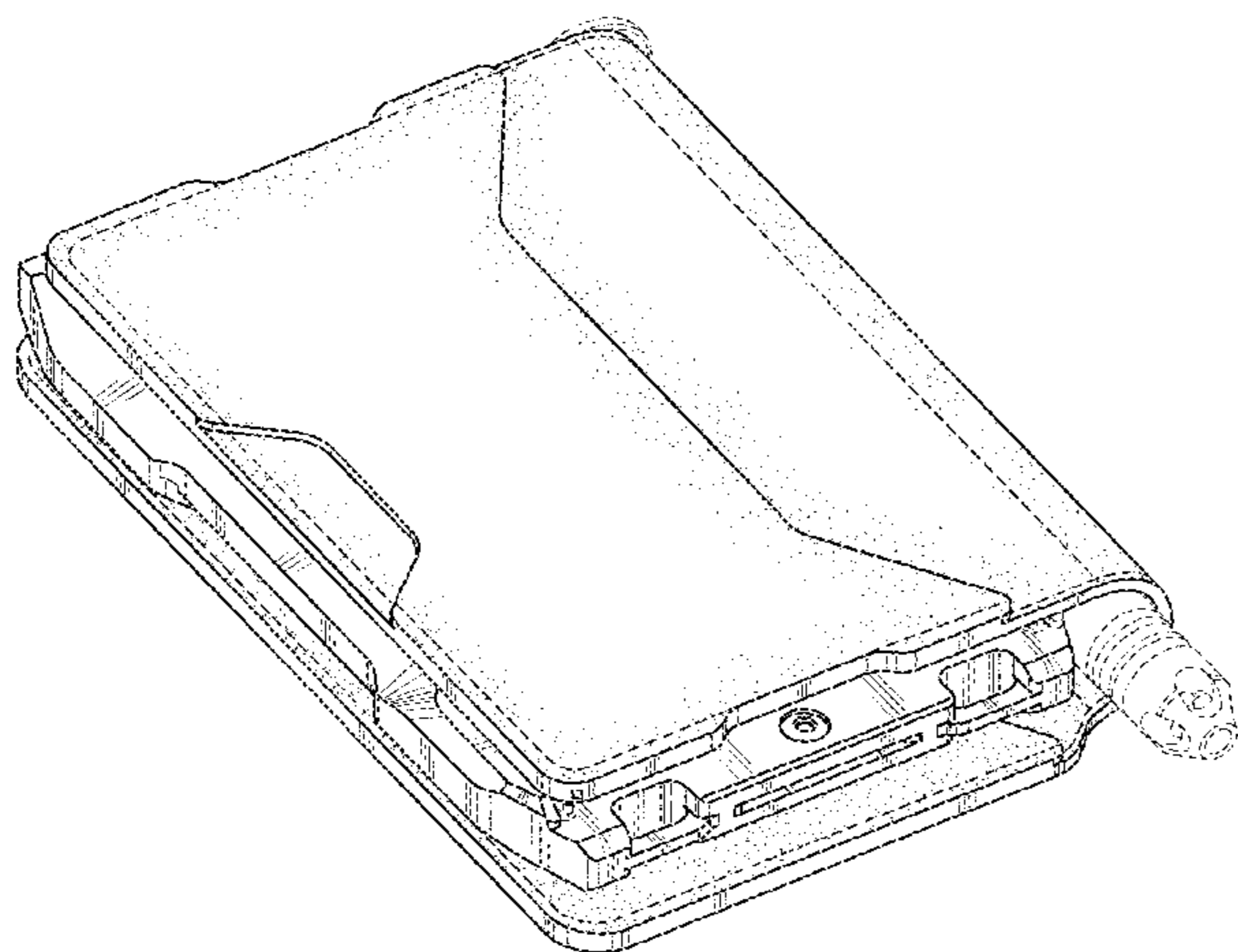
The ornamental design for a wallet, as shown and described.

DESCRIPTION

FIG. 1 is a front, first side, and bottom perspective view of a wallet embodying the new design; FIG. 2 is a back, second side, and bottom perspective view thereof; FIG. 3 is a front view thereof; FIG. 4 is a back view thereof; FIG. 5 is a first side view thereof; FIG. 6 is a second side view thereof; FIG. 7 is a top view thereof; FIG. 8 is a bottom view thereof; FIG. 9 is a first side and bottom perspective view showing an interior portion of the wallet in an open position; FIG. 10 is a second side and bottom perspective view showing an exterior portion thereof; FIG. 11 shows an exterior portion of the wallet in the open position; FIG. 12 shows an interior portion thereof; FIG. 13 is a first side view thereof; FIG. 14 is a second side view thereof; FIG. 15 is a side and front perspective view of a pen detached from the wallet; and, FIG. 16 is a side and back perspective view of the pen thereof.

The evenly dashed broken lines on claimed surfaces depict stitching and form no part of the claim. The evenly dashed broken lines adjacent structure shown with no surface shading depict portions of the wallet in which the claimed design is embodied and form no part of the claim.

1 Claim, 16 Drawing Sheets



(56)

References Cited

U.S. PATENT DOCUMENTS

D322,039 S 12/1991 Chien
 D360,815 S 8/1995 Padden
 D366,146 S * 1/1996 Bertrand D19/78
 D374,388 S 10/1996 Padden
 D404,567 S * 1/1999 Akutsu D3/250
 D416,581 S 11/1999 Cheng
 6,009,584 A 1/2000 Padden
 6,044,967 A 4/2000 Painsith
 6,076,665 A 6/2000 Chuang
 D431,105 S 9/2000 Ling
 6,145,994 A 11/2000 Ng
 D434,624 S 12/2000 Padden
 D444,060 S 6/2001 Elsener
 6,347,875 B1 2/2002 Painsith
 D462,000 S 8/2002 Hightower
 6,460,698 B1 10/2002 Wang
 D517,390 S 3/2006 Cheng
 D690,931 S 10/2013 Minn
 D695,013 S 12/2013 Minn
 D707,091 S 6/2014 Barr
 9,125,465 B2 9/2015 Beckley
 D743,760 S 11/2015 Barr
 D751,877 S 3/2016 Shlaferman
 D765,487 S 9/2016 Barr
 D768,382 S * 10/2016 Wu D3/247
 D768,383 S 10/2016 Wu
 D770,775 S * 11/2016 Robertson, III D3/318
 D772,678 S 11/2016 Haarburger
 D775,824 S 1/2017 King
 D780,449 S 3/2017 King
 D792,749 S 7/2017 Faro
 D798,591 S 10/2017 King
 D799,301 S 10/2017 Cetera
 9,815,212 B2 11/2017 Barr
 D805,873 S 12/2017 Cetera
 D806,386 S 1/2018 King
 D808,158 S * 1/2018 King D3/247
 D808,765 S 1/2018 Kislung
 D814,182 S 4/2018 Haarburger
 D814,183 S 4/2018 Haarburger
 D815,932 S 4/2018 Lee
 D815,935 S 4/2018 Barak
 D817,196 S 5/2018 Haarburger
 D817,316 S 5/2018 Srour
 D827,408 S 9/2018 Stefanczyk-Lacor
 10,080,409 B2 9/2018 King
 D831,349 S 10/2018 Deng
 D835,410 S 12/2018 Chan

10,206,473 B2 2/2019 Haarburger
 D842,070 S 3/2019 Kislung
 D860,645 S * 9/2019 Wu D3/247
 D866,177 S * 11/2019 Leh D3/247
 D866,276 S 11/2019 Shlaferman
 D866,964 S * 11/2019 Tran D3/247
 D868,463 S * 12/2019 Tran D3/249
 10,512,316 B2 12/2019 Haarburger
 D875,490 S 2/2020 Barr
 D877,513 S * 3/2020 Duncan D3/318
 D877,594 S 3/2020 Liang
 D878,891 S 3/2020 Polczynski
 D878,893 S 3/2020 Kao
 D879,580 S 3/2020 Spater
 D881,671 S 4/2020 Kao
 D884,339 S * 5/2020 Li D3/247
 D887,708 S * 6/2020 Tran D3/247
 D891,767 S * 8/2020 Lamb D3/247
 D909,059 S * 2/2021 Leh D3/247
 D915,765 S * 4/2021 Quittner D3/249
 D933,360 S * 10/2021 Qing D3/247
 D934,560 S * 11/2021 Tran D3/247
 11,178,947 B2 * 11/2021 Tran A45C 1/06
 D950,240 S * 5/2022 Tran D3/247
 D950,241 S * 5/2022 Tran D3/247
 2002/0179463 A1 12/2002 Newman
 2004/0148837 A1 * 8/2004 Lewis G09F 3/20
 40/654.01
 2014/0143958 A1 5/2014 Barr
 2015/0240524 A1 8/2015 Olroyd
 2015/0282579 A1 * 10/2015 Piro H04B 1/3888
 206/756
 2017/0119115 A1 * 5/2017 King A45C 11/182
 2017/0265610 A1 9/2017 Smith
 2019/0008253 A1 * 1/2019 Deng A45F 5/021
 2020/0229557 A1 * 7/2020 Tran B25F 1/04
 2021/0112935 A1 * 4/2021 Tran A45C 1/06
 2021/0330045 A1 * 10/2021 Tran A45C 1/06

OTHER PUBLICATIONS

“A10 Adapt™ Bifold Pen Wallet”, dangoproducts.com, site visited Nov. 15, 2021: https://www.dangoproducts.com/products/a10-adapt-bifold-pen-wallet?_pos=6&_sid=5cec358d2&_ss=r (Year: 2021).* Dango Products, “Wallet Collections”, Web page <URL: www.dangoproducts.com/collections/wallets>, Oct. 19, 2017, Retrieved from Internet Archive Wayback Machine <URL: <https://web.archive.org/web/20171019082039/www.dangoproducts.com/collections/wallets>> on Oct. 23, 2020.

* cited by examiner

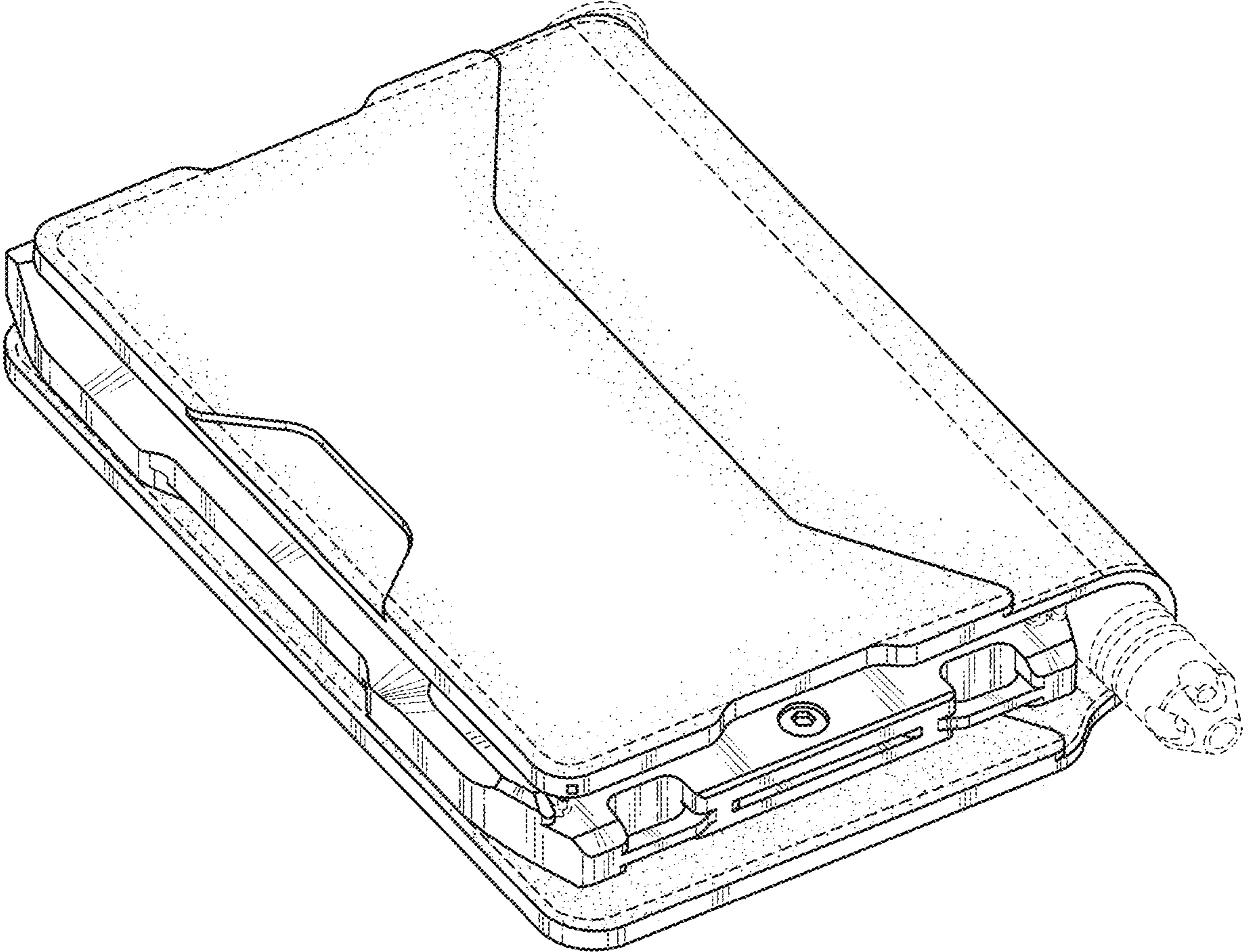


FIG. 1

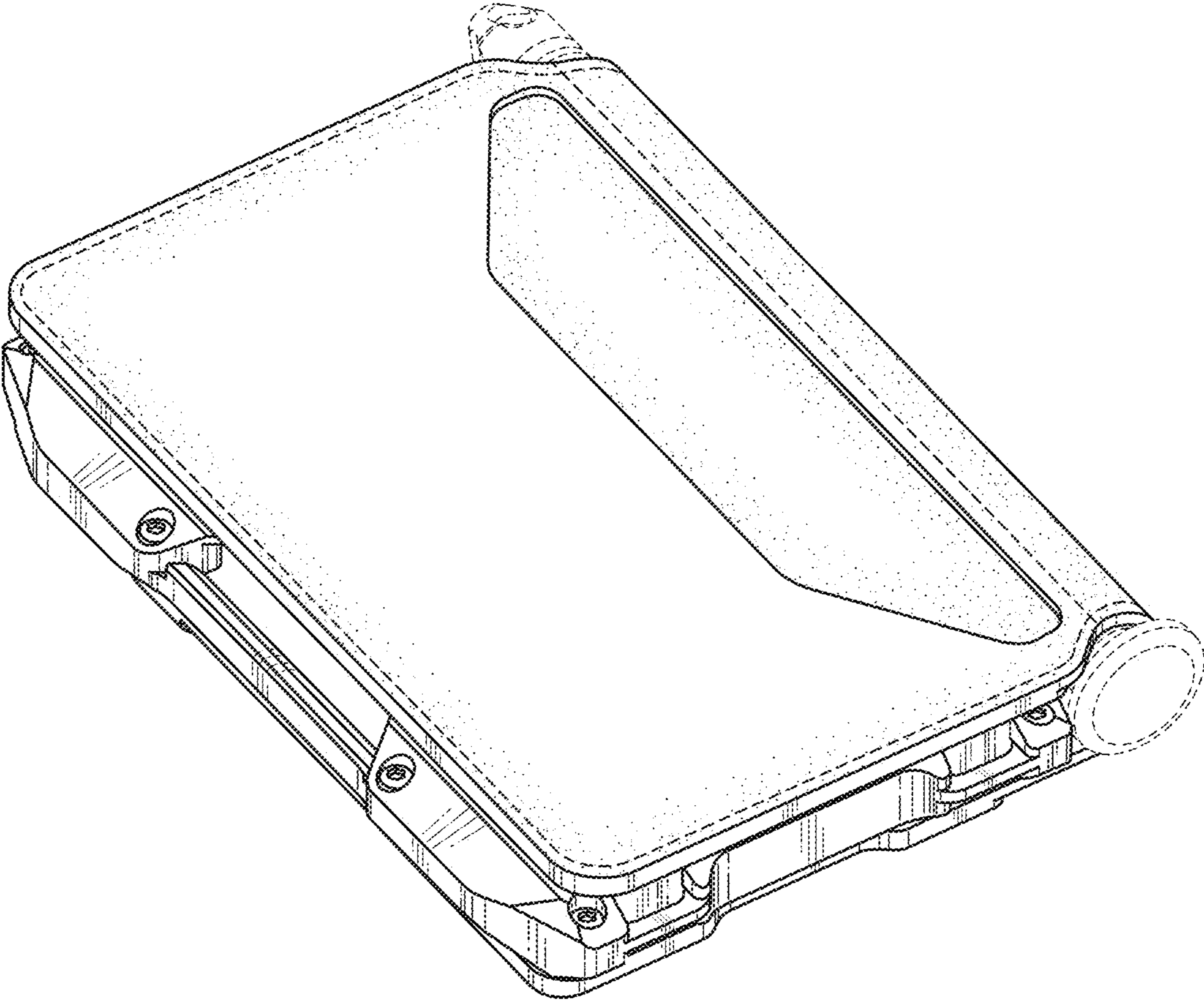


FIG. 2

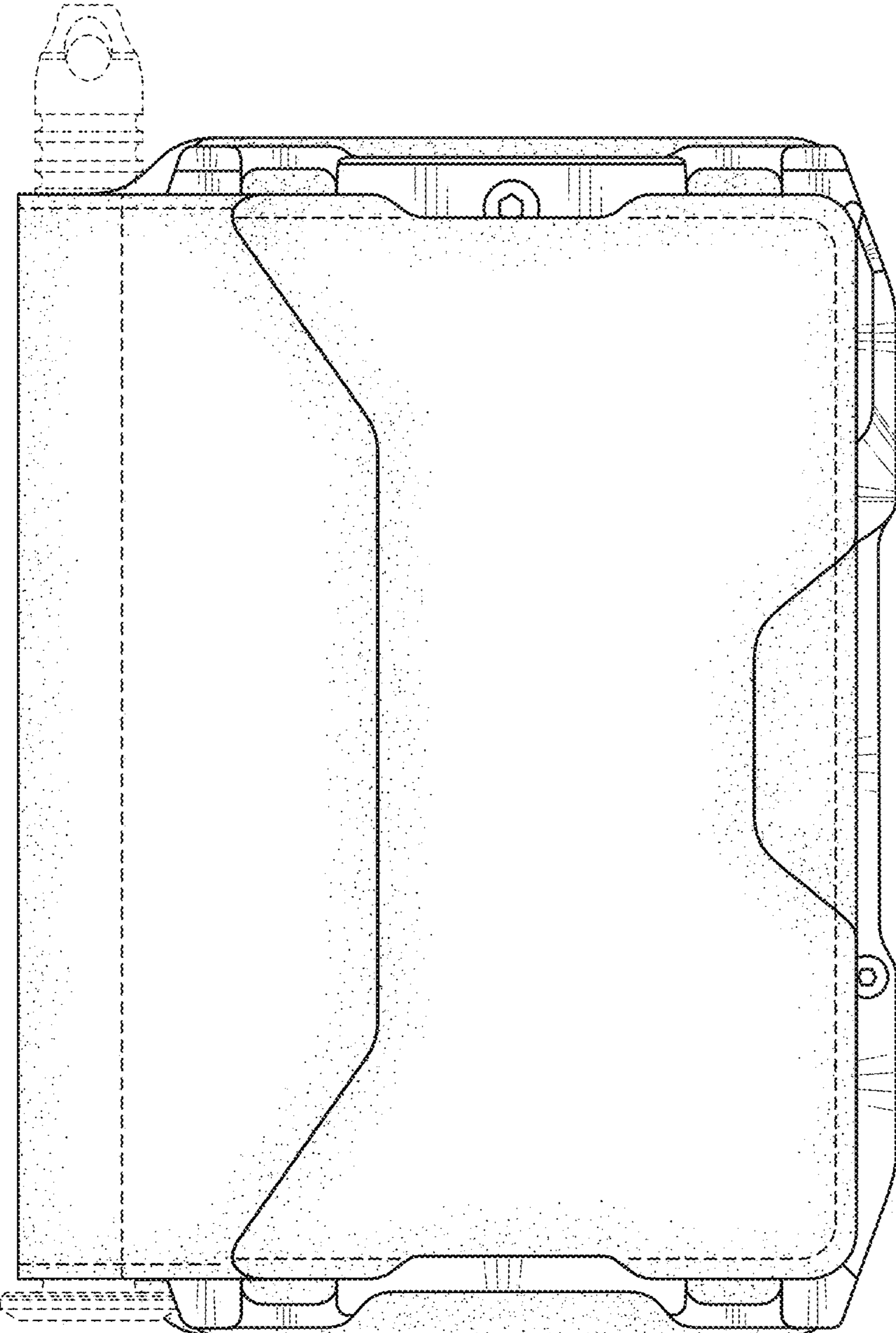


FIG. 3

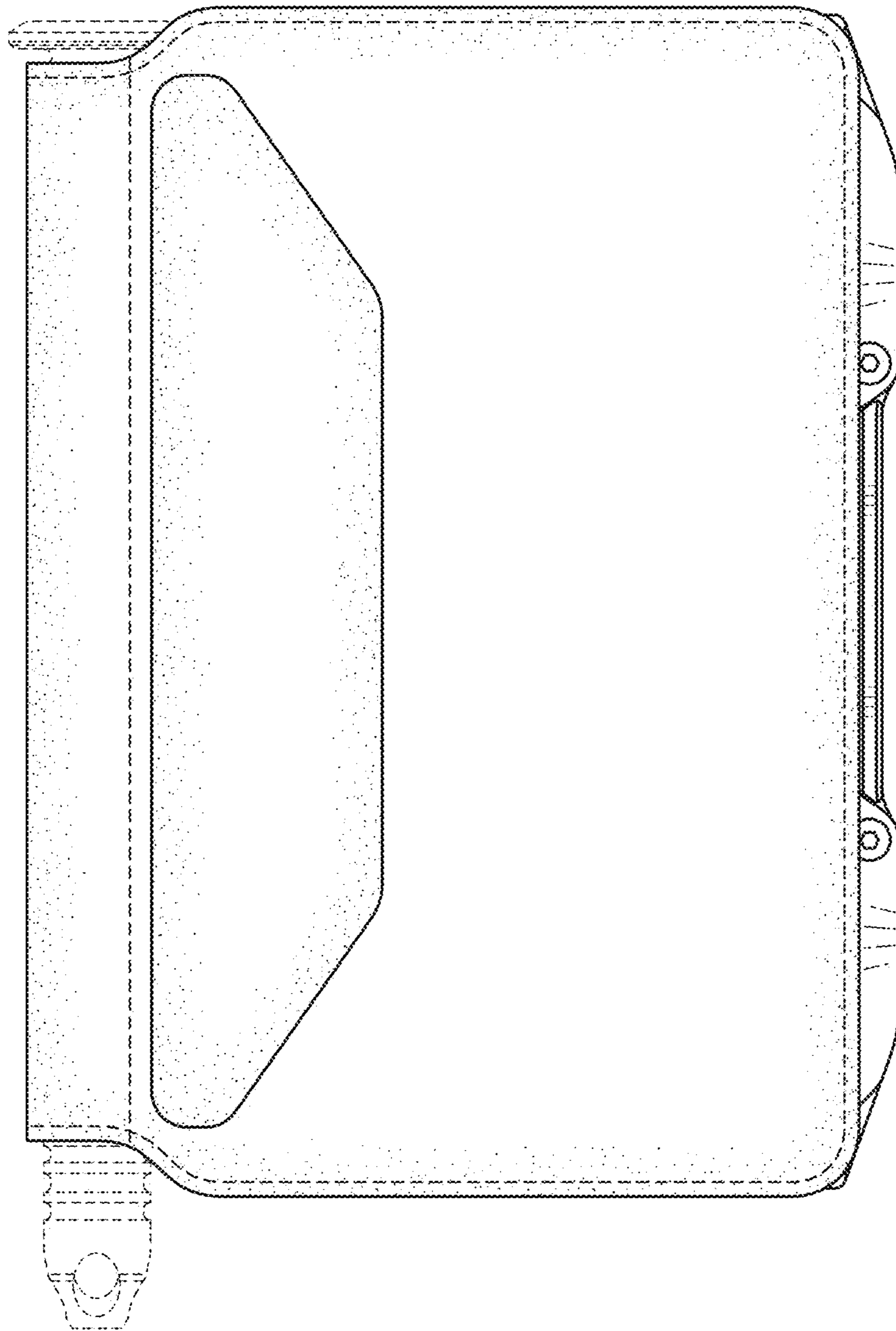


FIG. 4

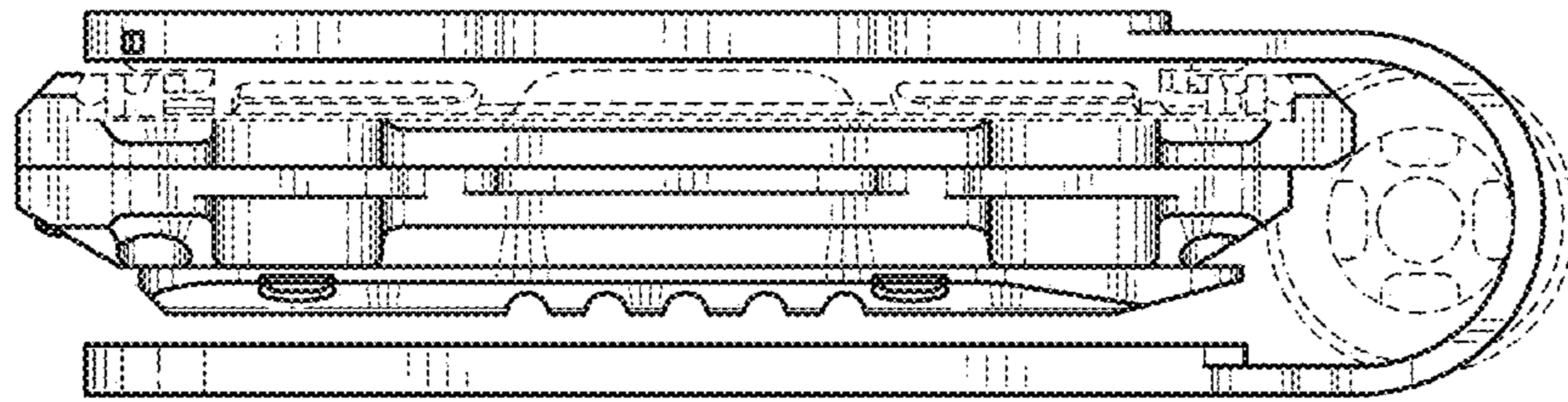


FIG. 5

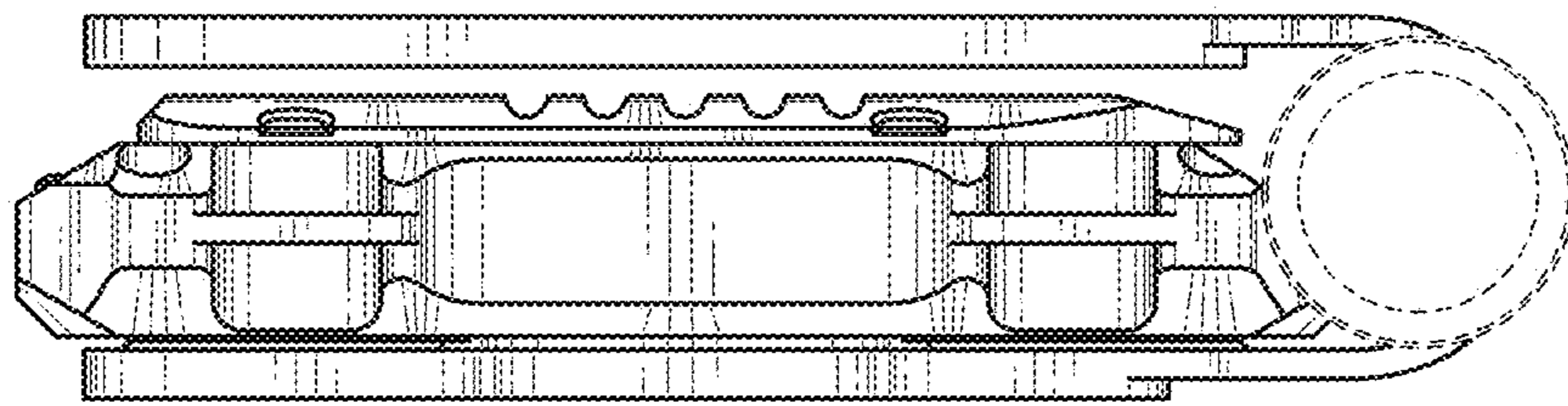


FIG. 6

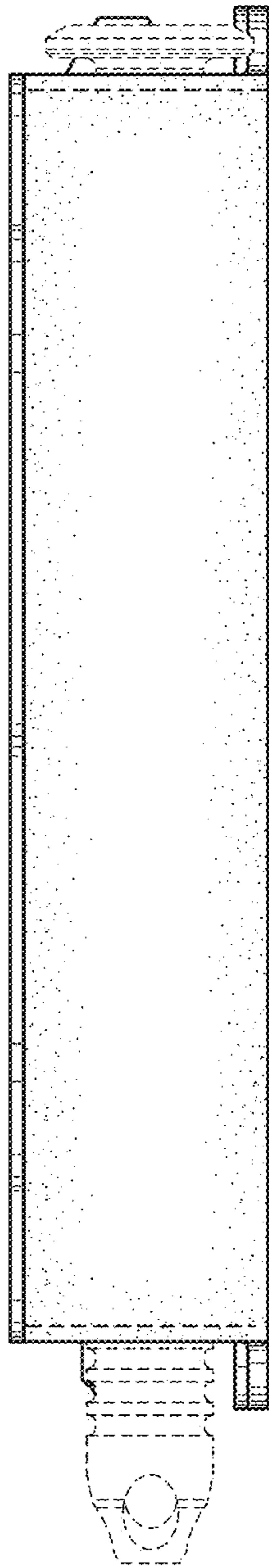


FIG. 7

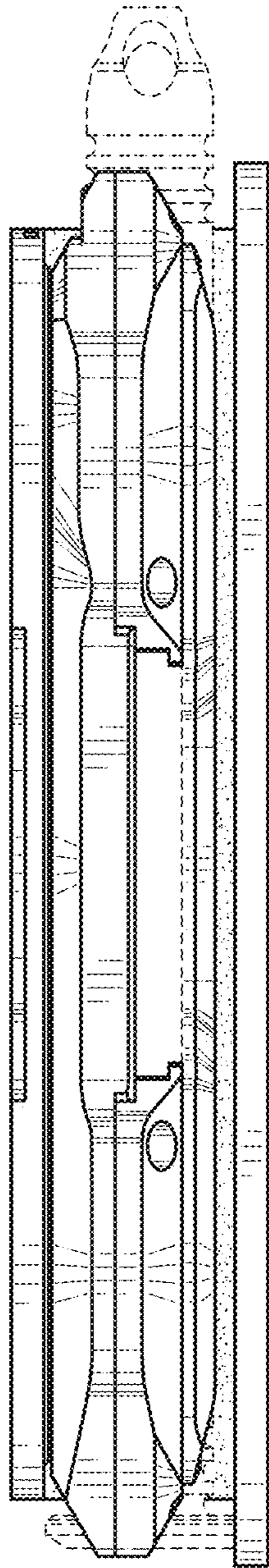


FIG. 8

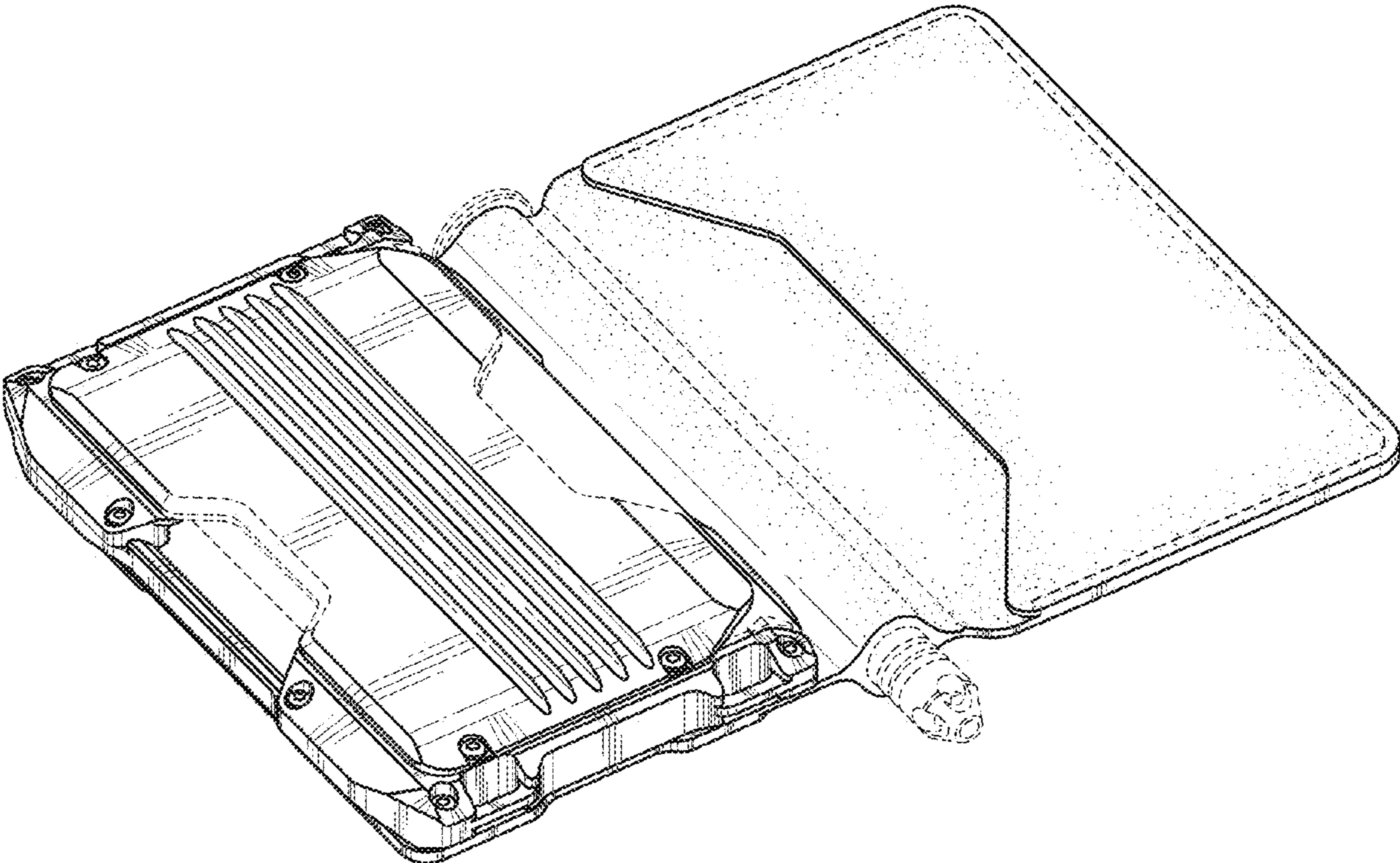


FIG. 9

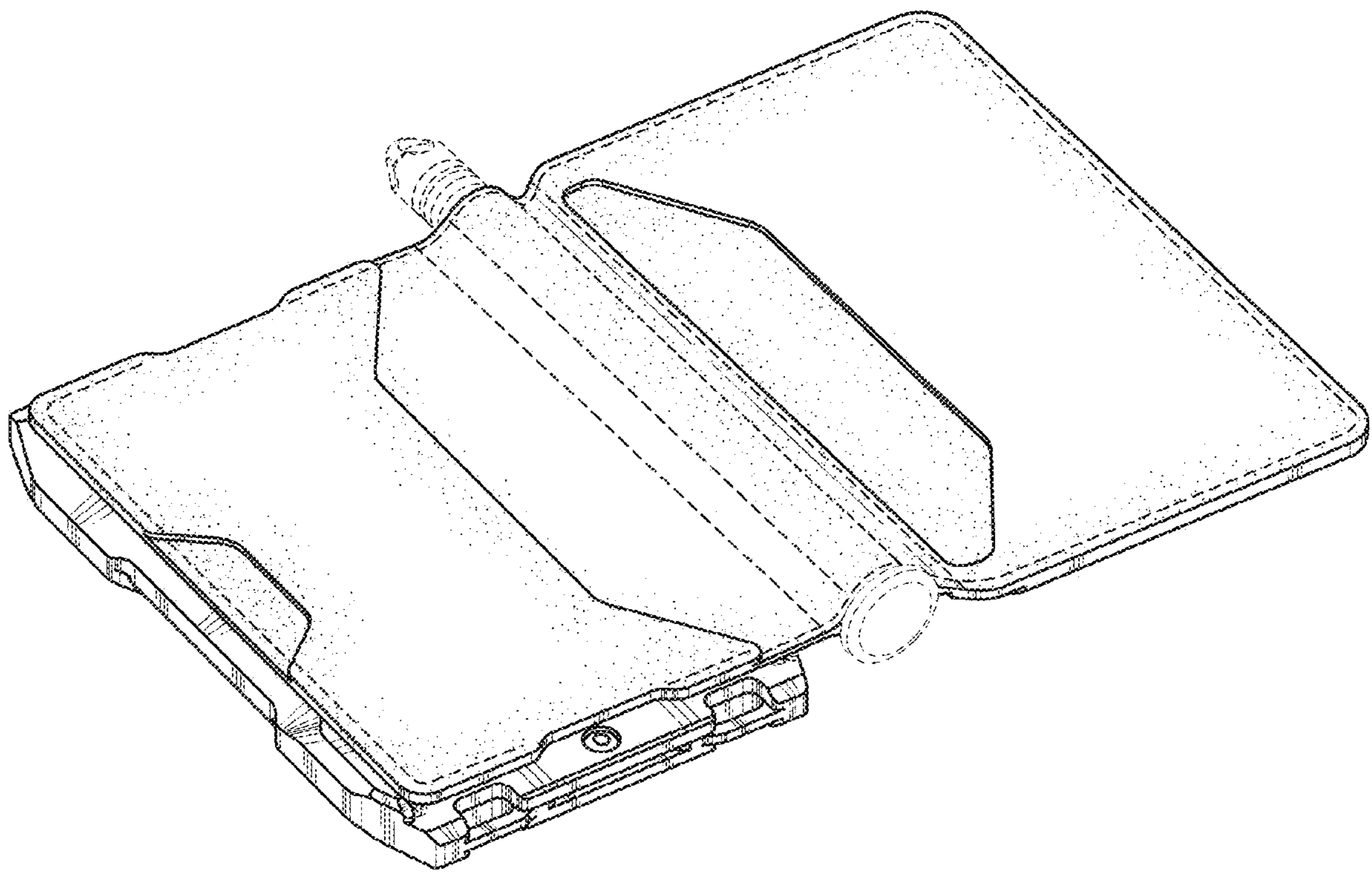


FIG. 10

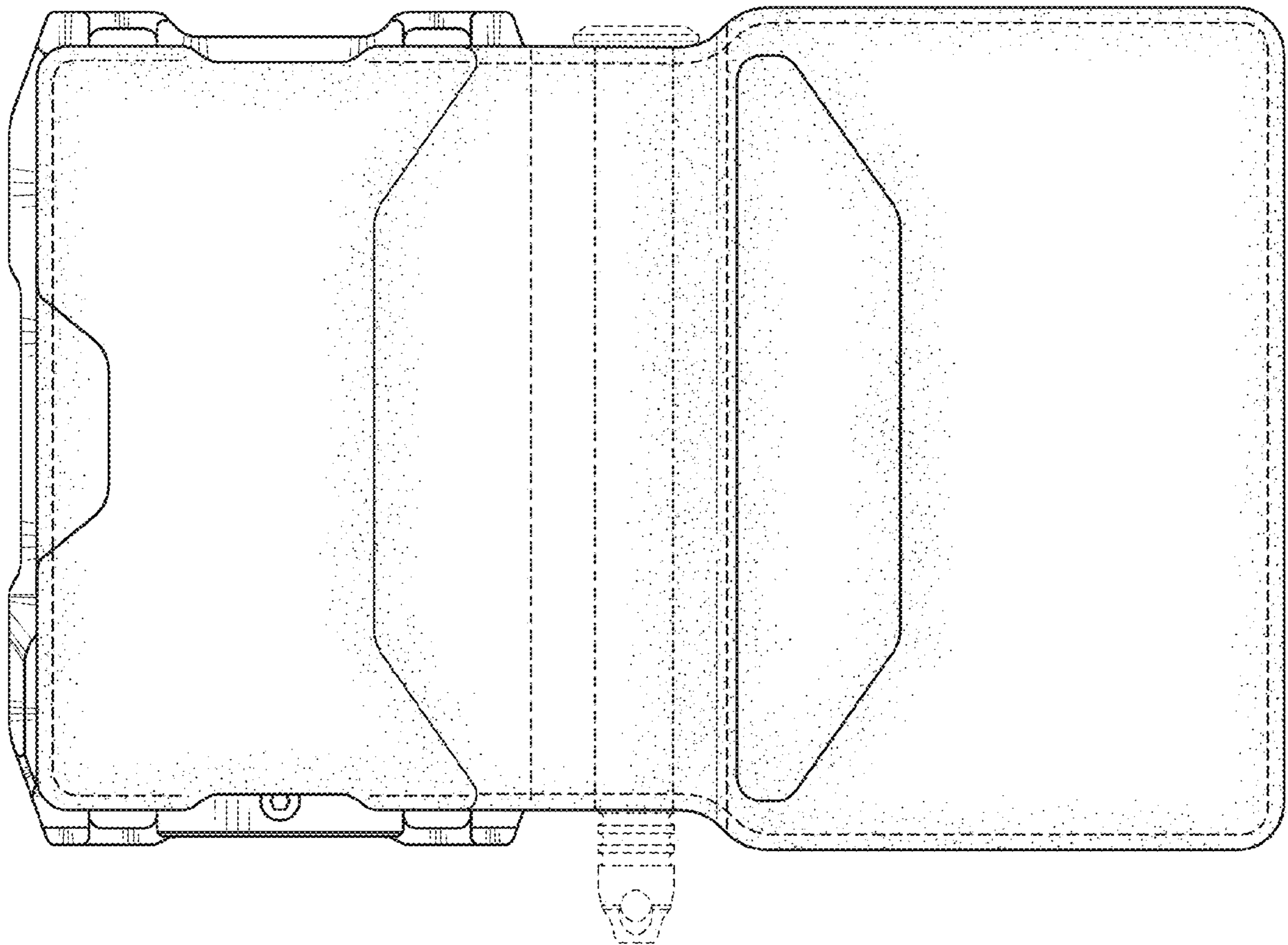


FIG. 11

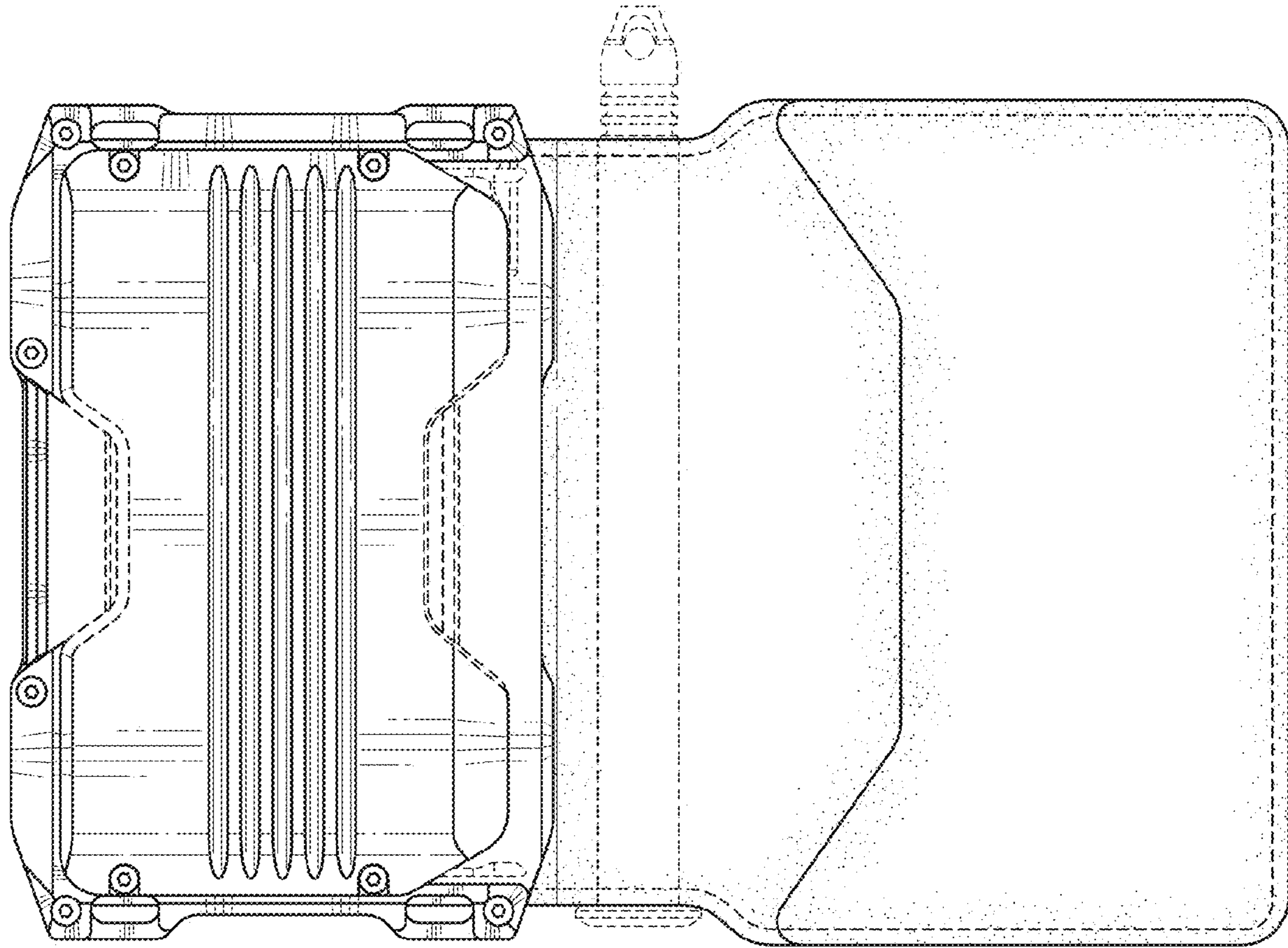


FIG. 12

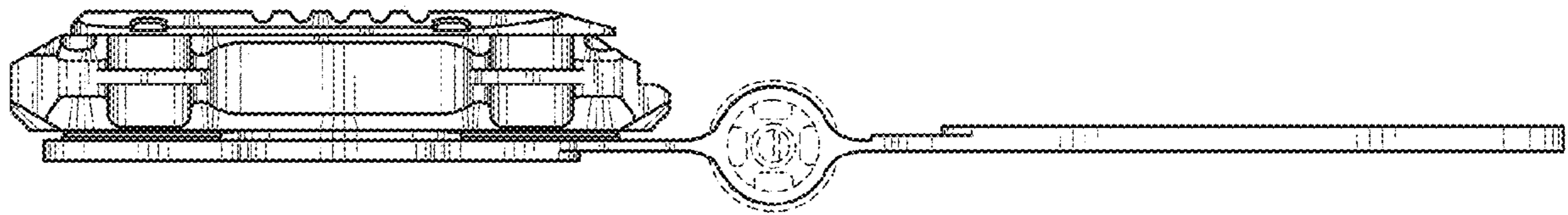


FIG. 13

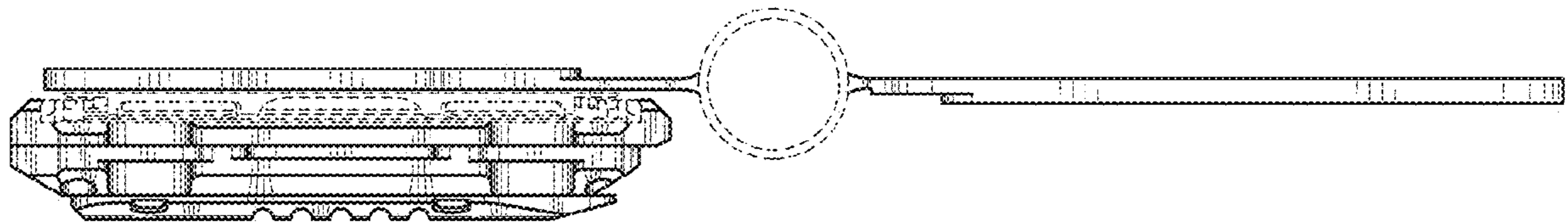


FIG. 14

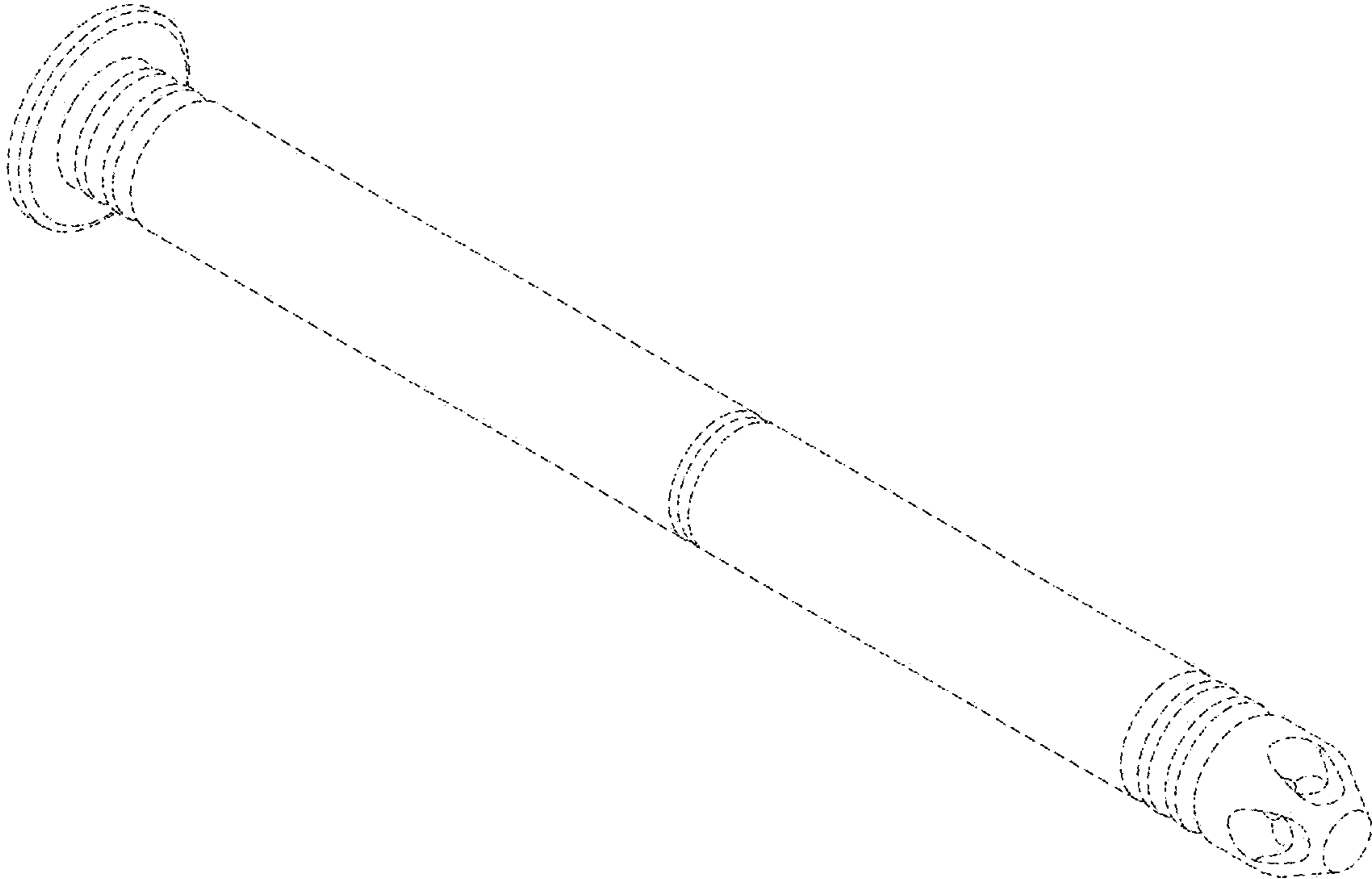


FIG. 15

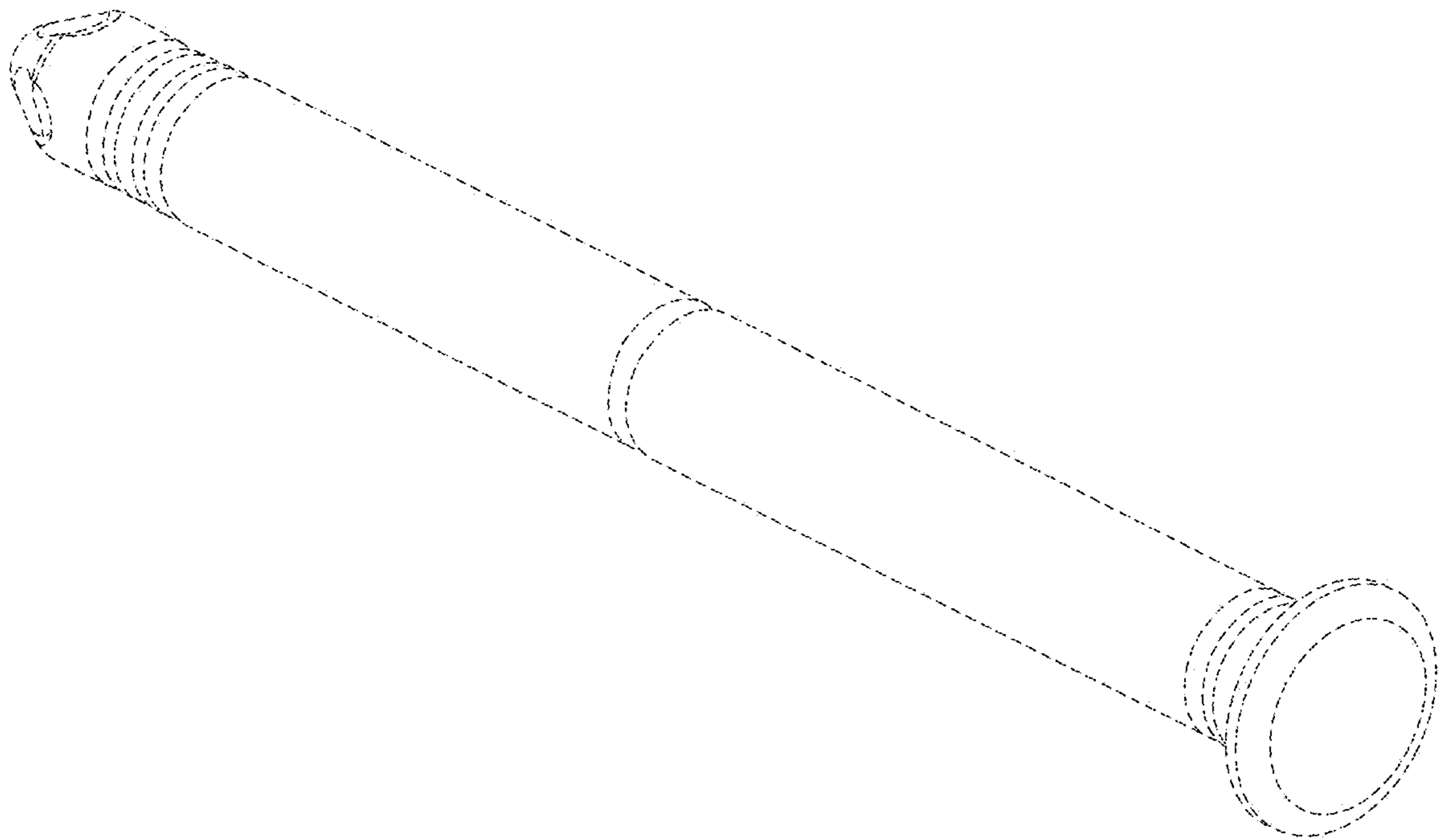


FIG. 16