



US00D967607S

(12) **United States Design Patent** (10) **Patent No.:** **US D967,607 S**  
**Liu** (45) **Date of Patent:** **\*\* Oct. 25, 2022**

(54) **HOODIE BLANKET**  
(71) Applicant: **Shenzhen Yumei'an Trading Co., Ltd., Shenzhen (CN)**  
(72) Inventor: **Dongmei Liu, Jiangxi (CN)**  
(\*\*) Term: **15 Years**  
(21) Appl. No.: **29/846,140**  
(22) Filed: **Jul. 13, 2022**  
(51) **LOC (13) Cl.** ..... **02-02**  
(52) **U.S. Cl.**  
USPC ..... **D2/831**  
(58) **Field of Classification Search**  
USPC ..... D2/830-831, 839, 840-842, 828, 825,  
D2/718, 724, 728, 749-751  
CPC ..... A41D 2200/20; A41D 1/04; A41D 15/04;  
A41D 3/02; A41D 3/005; A41D 3/04;  
A41D 3/08; A41D 27/10  
See application file for complete search history.

D903,235 S \* 12/2020 Lv ..... D2/724  
D903,237 S \* 12/2020 Speciale ..... D2/828  
D905,380 S \* 12/2020 Speciale ..... D2/828  
D910,276 S \* 2/2021 Stewart ..... D2/724  
D912,369 S 3/2021 Wu  
D912,370 S \* 3/2021 Ngan ..... D2/831  
D914,330 S \* 3/2021 Yan ..... D2/724  
D917,829 S \* 5/2021 Guo ..... D2/718  
D933,334 S \* 10/2021 Hsu ..... D2/750  
D935,742 S \* 11/2021 Zhou ..... D2/831  
D949,519 S \* 4/2022 Yang ..... D2/750  
D950,198 S \* 5/2022 Guo ..... D2/831  
D951,592 S \* 5/2022 Xiao ..... D2/724  
2007/0061940 A1\* 3/2007 Cazares ..... A41D 7/008  
2/86

(Continued)

*Primary Examiner* — Michelle E. Wilson  
*Assistant Examiner* — Clese Moore, Jr.  
(74) *Attorney, Agent, or Firm* — Che-Yang Chen; Law  
Office of Michael Chen

(57) **CLAIM**

The ornamental design for a hoodie blanket, as shown and described.

(56) **References Cited**

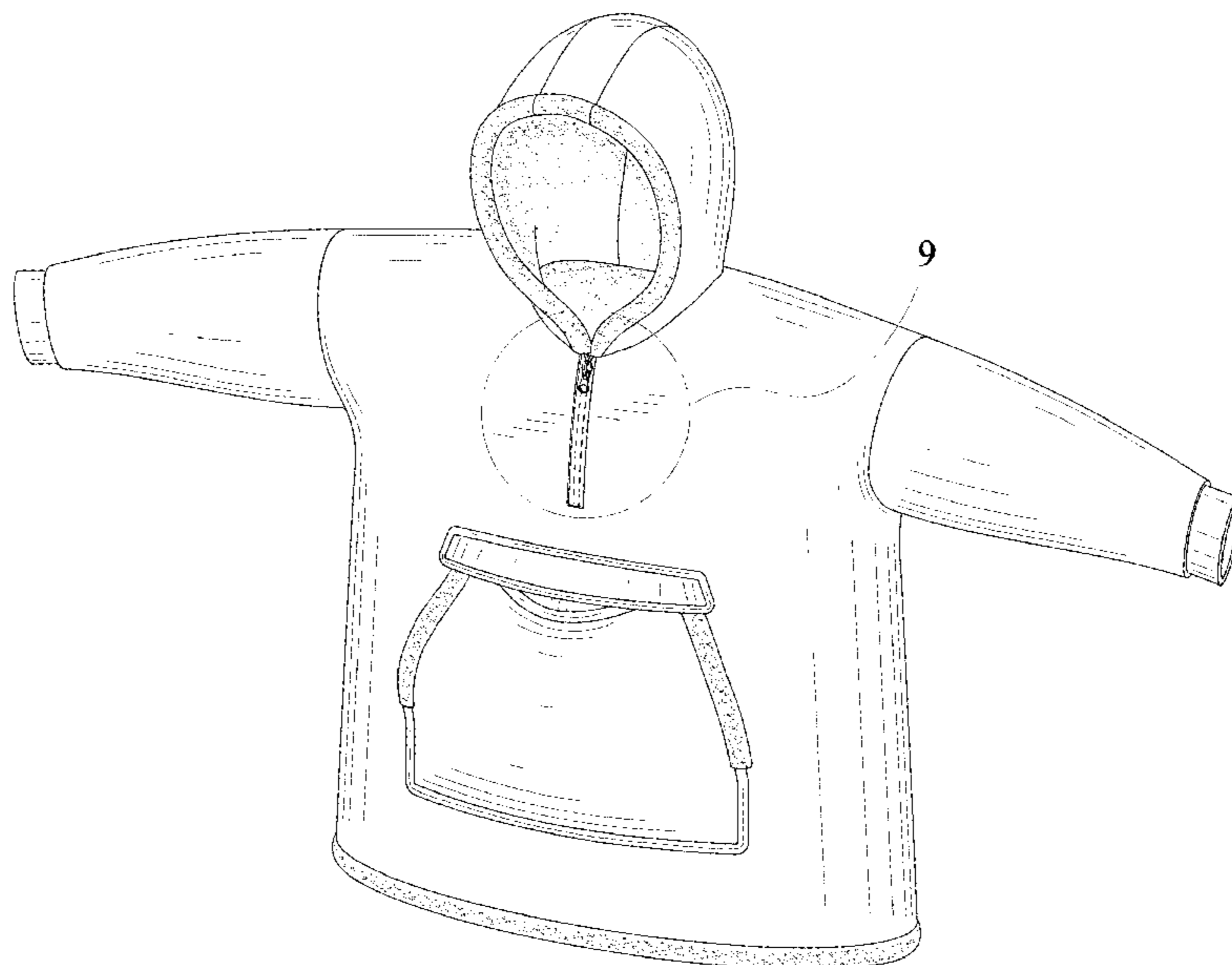
U.S. PATENT DOCUMENTS

4,476,587 A \* 10/1984 Itoi ..... A45F 4/12  
2/94  
D414,013 S \* 9/1999 Group ..... D2/831  
D553,330 S \* 10/2007 Wager ..... D2/831  
D570,577 S \* 6/2008 Keppler ..... D2/750  
D608,983 S \* 2/2010 Myers ..... D2/857  
D626,310 S \* 11/2010 Cruz ..... D2/758  
D692,212 S \* 10/2013 Coward ..... D2/857  
D728,900 S \* 5/2015 White ..... D2/750  
D854,787 S \* 7/2019 Ngan ..... D2/831  
D859,788 S \* 9/2019 Speciale ..... D2/828  
10,420,431 B1 \* 9/2019 Speciale ..... A41D 31/02  
D886,416 S \* 6/2020 Speciale ..... D2/828  
10,772,366 B1 \* 9/2020 Ngan ..... A41D 15/04  
D897,635 S \* 10/2020 Fleming ..... D2/828  
D901,837 S \* 11/2020 Hoffman ..... D2/750

**DESCRIPTION**

FIG. 1 is a perspective view of the hoodie blanket showing my new design;  
FIG. 2 is a perspective view thereof from another angle;  
FIG. 3 is a front elevational view thereof;  
FIG. 4 is a rear elevational view thereof;  
FIG. 5 is a left side elevational view thereof;  
FIG. 6 is a right side elevational view thereof;  
FIG. 7 is a top plan view thereof;  
FIG. 8 is a bottom plan view thereof; and,  
FIG. 9 is an enlarged view of a portion indicated with numeric 9 in FIG. 1.  
The broken lines shown in the drawings represent portions of the hoodie blanket that form no part of the claimed design.

**1 Claim, 9 Drawing Sheets**



(56)

**References Cited**

U.S. PATENT DOCUMENTS

2008/0196140 A1\* 8/2008 Mayerson ..... A41D 1/04  
2/84  
2009/0293170 A1\* 12/2009 Kiker ..... A41D 27/08  
2/244  
2010/0175161 A1\* 7/2010 Jarboe ..... A45C 3/14  
150/112  
2012/0005802 A1\* 1/2012 Claeys ..... A41D 27/20  
2/84  
2013/0000010 A1\* 1/2013 Ryan ..... A41D 27/201  
2/84  
2013/0152269 A1\* 6/2013 Coward ..... A41D 13/08  
2/84  
2017/0020215 A1\* 1/2017 Merritt ..... A41D 3/005  
2021/0267291 A1\* 9/2021 Mayer ..... A41D 27/201

\* cited by examiner

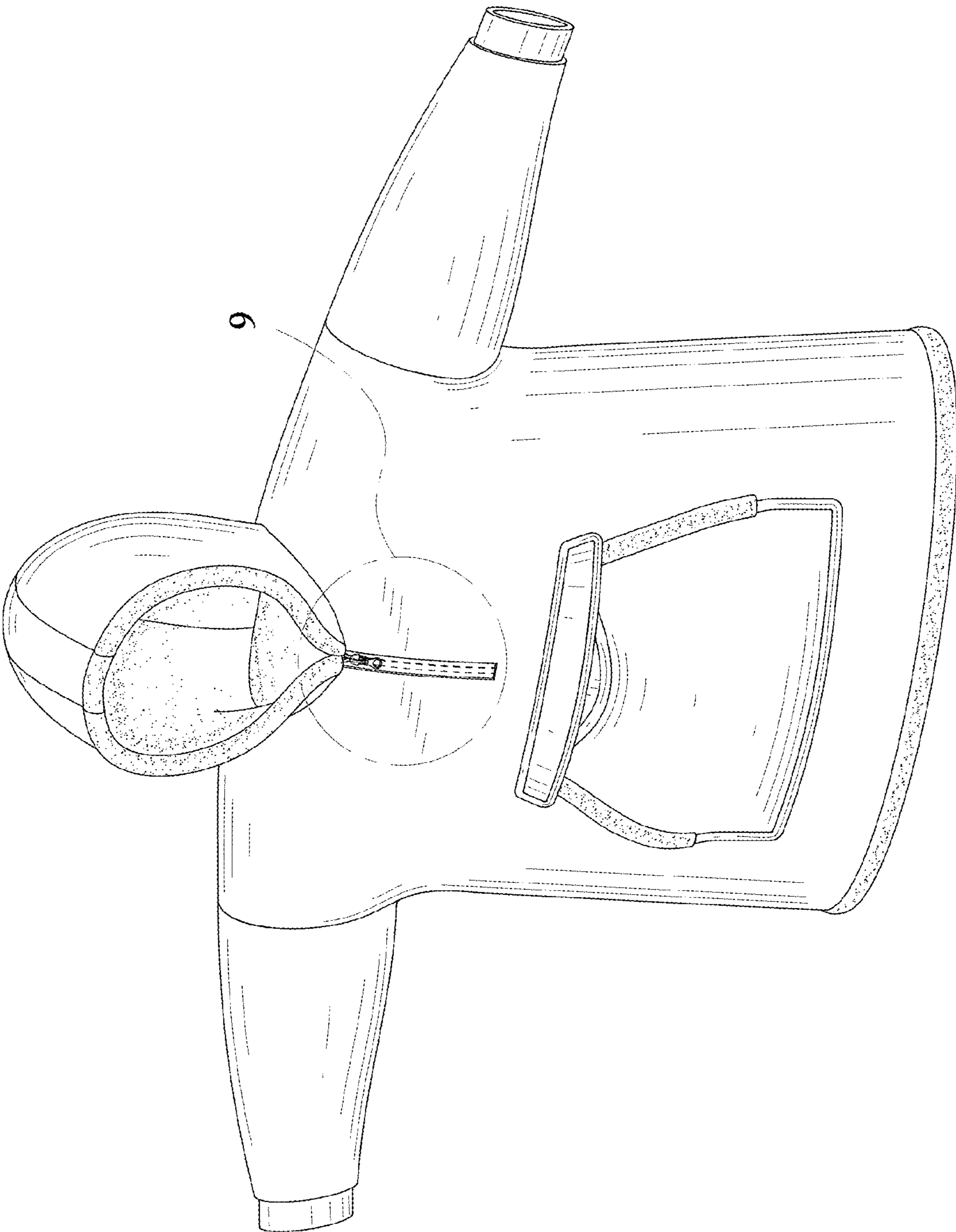


FIG. 1

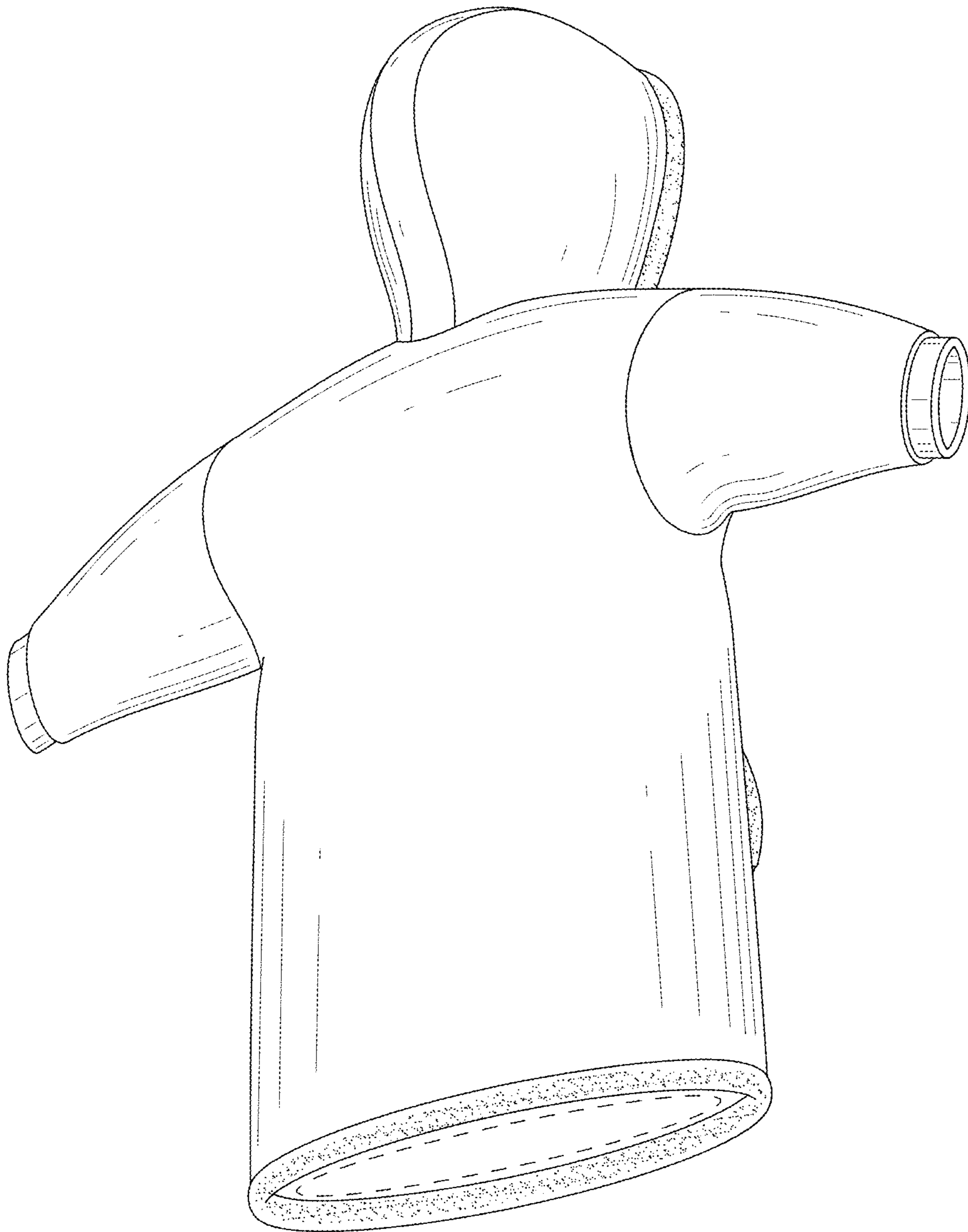


FIG. 2

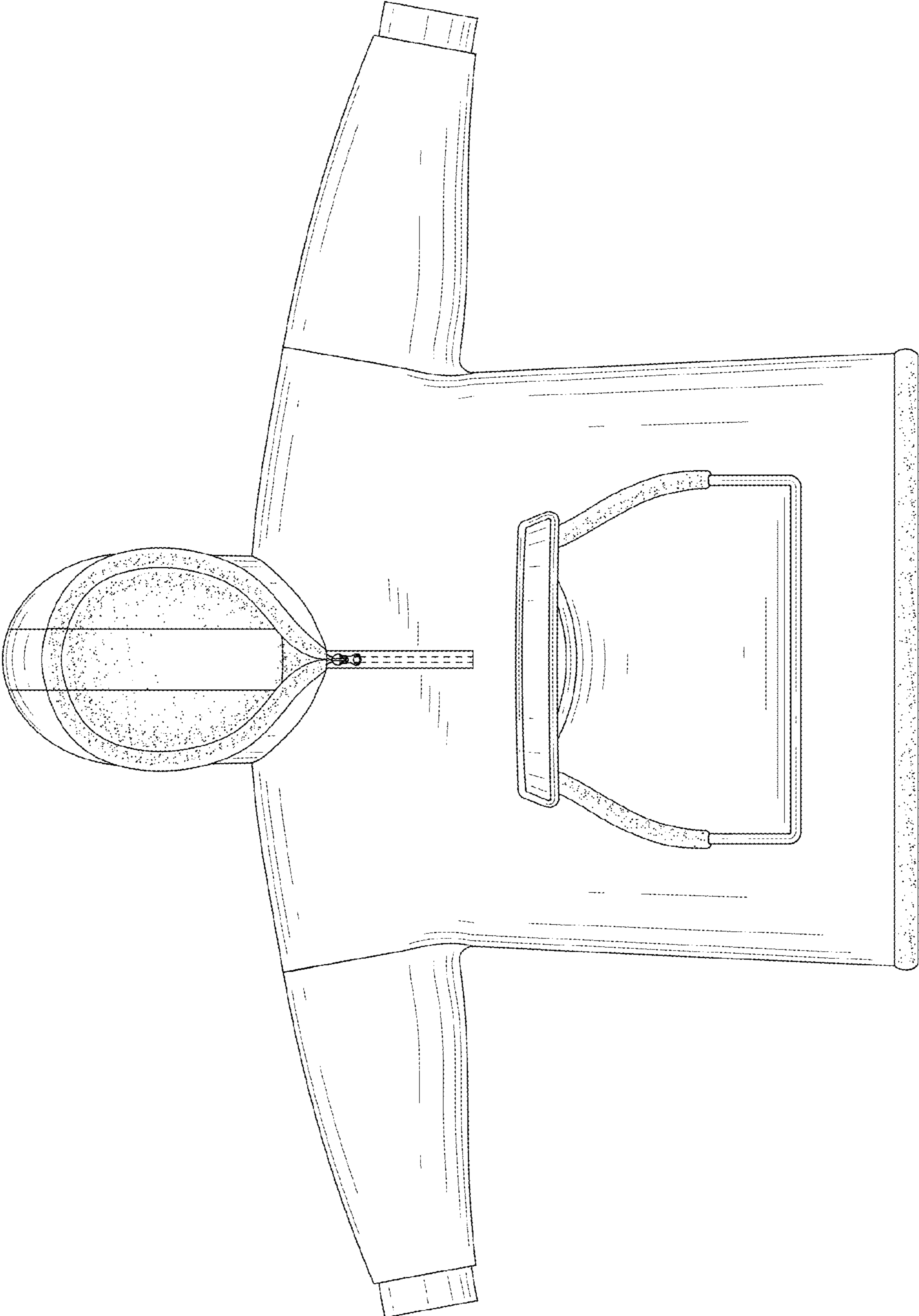


FIG. 3

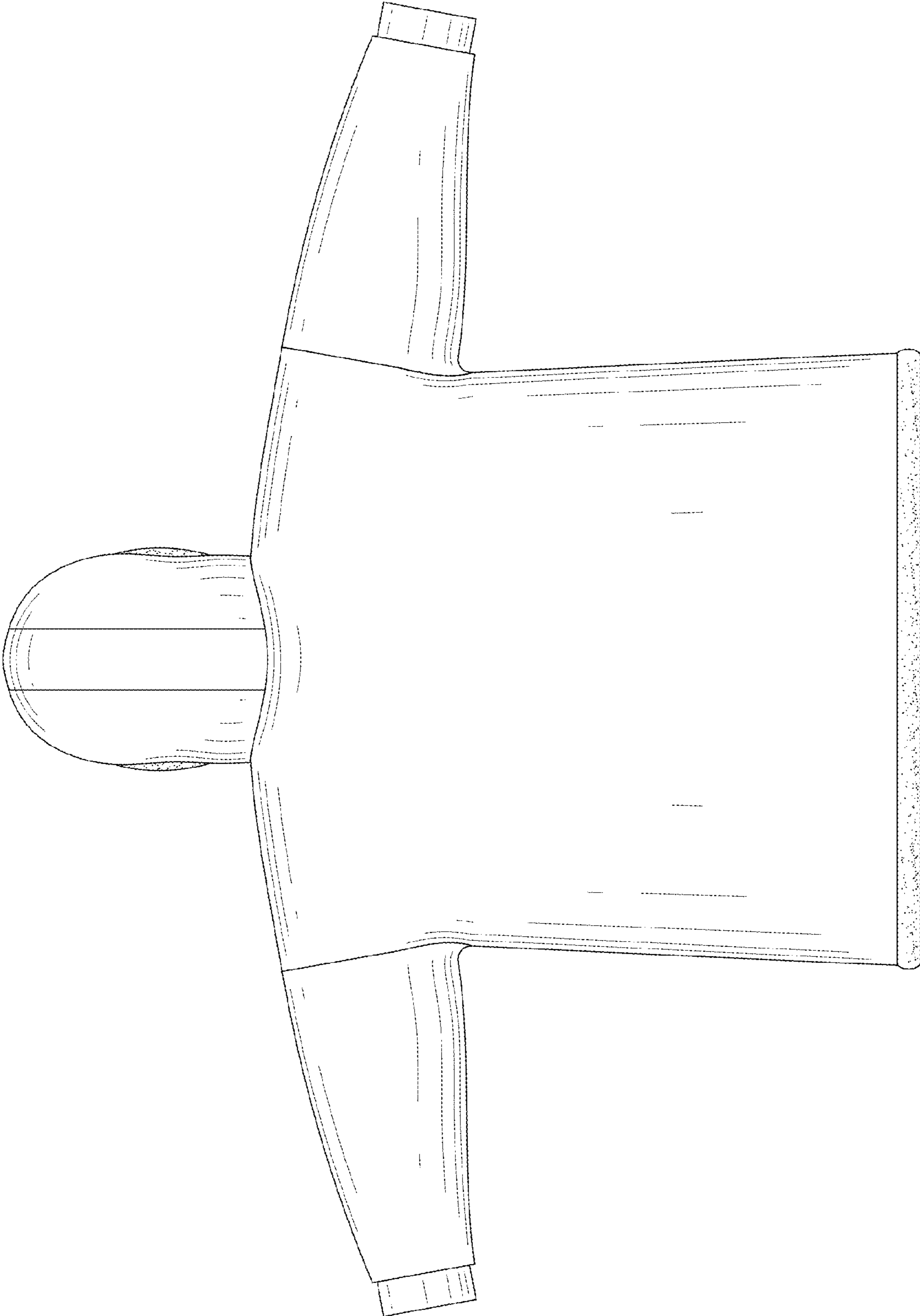


FIG. 4

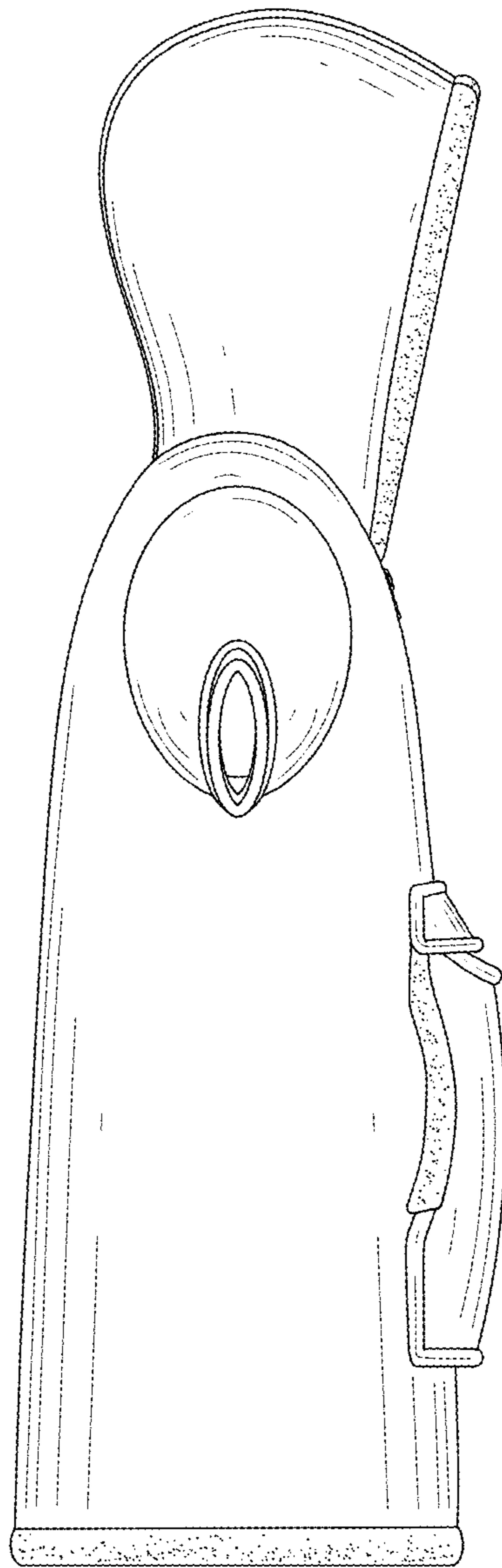


FIG. 5

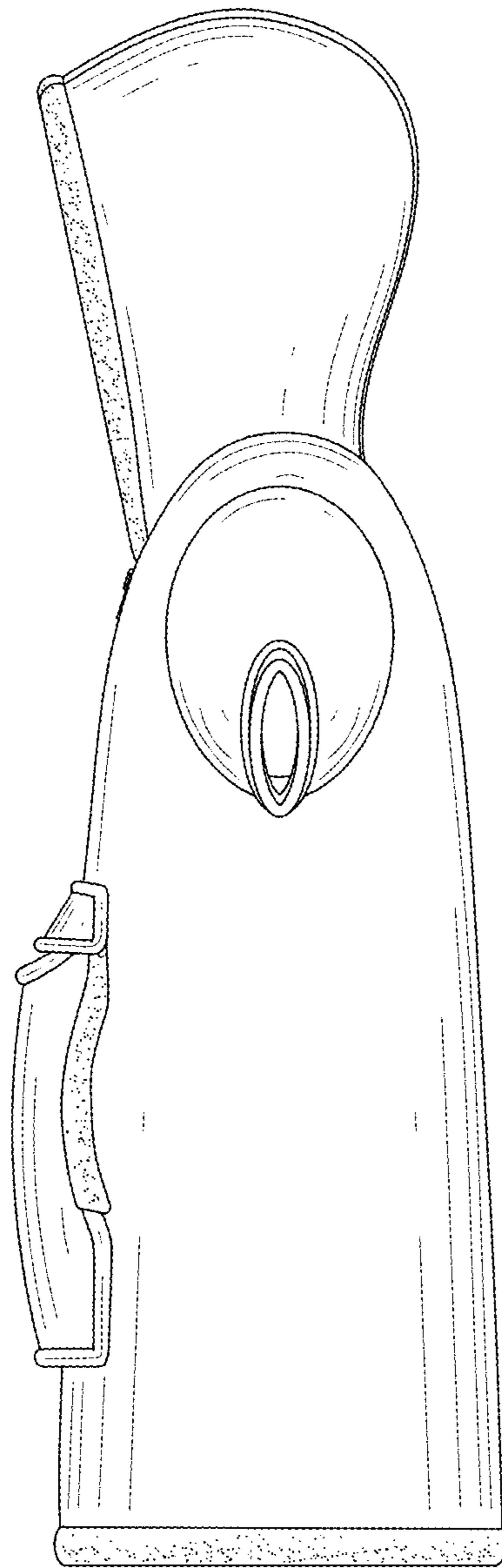


FIG. 6



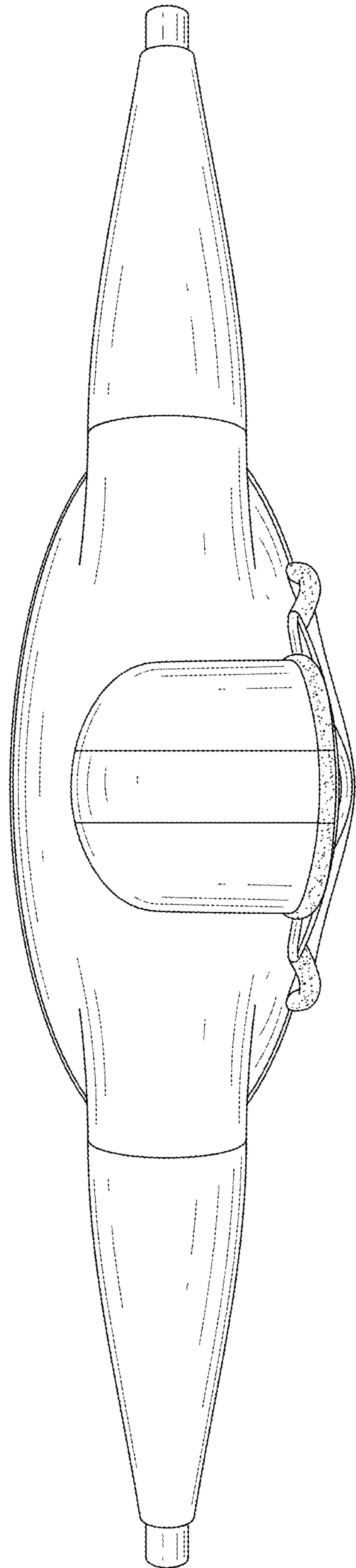


FIG. 7

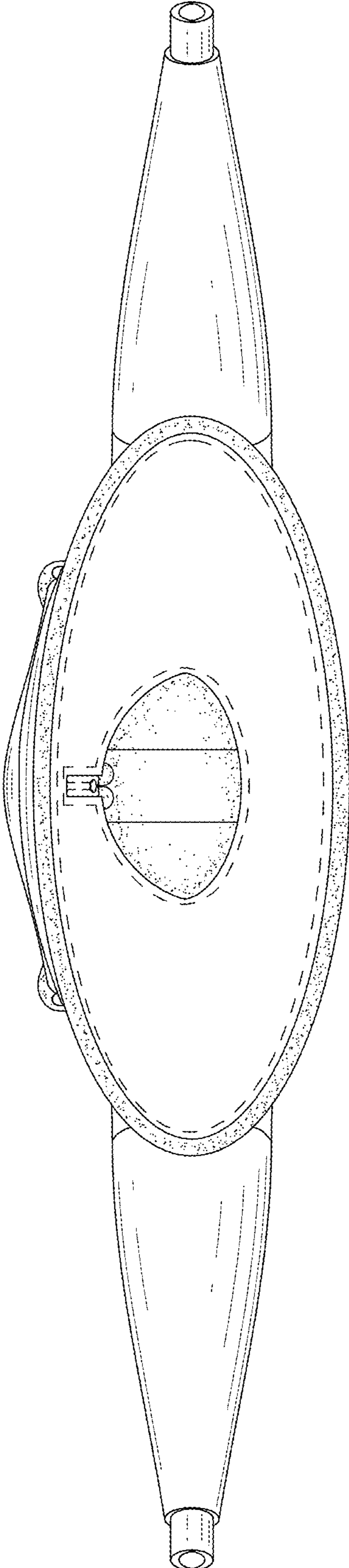


FIG. 8

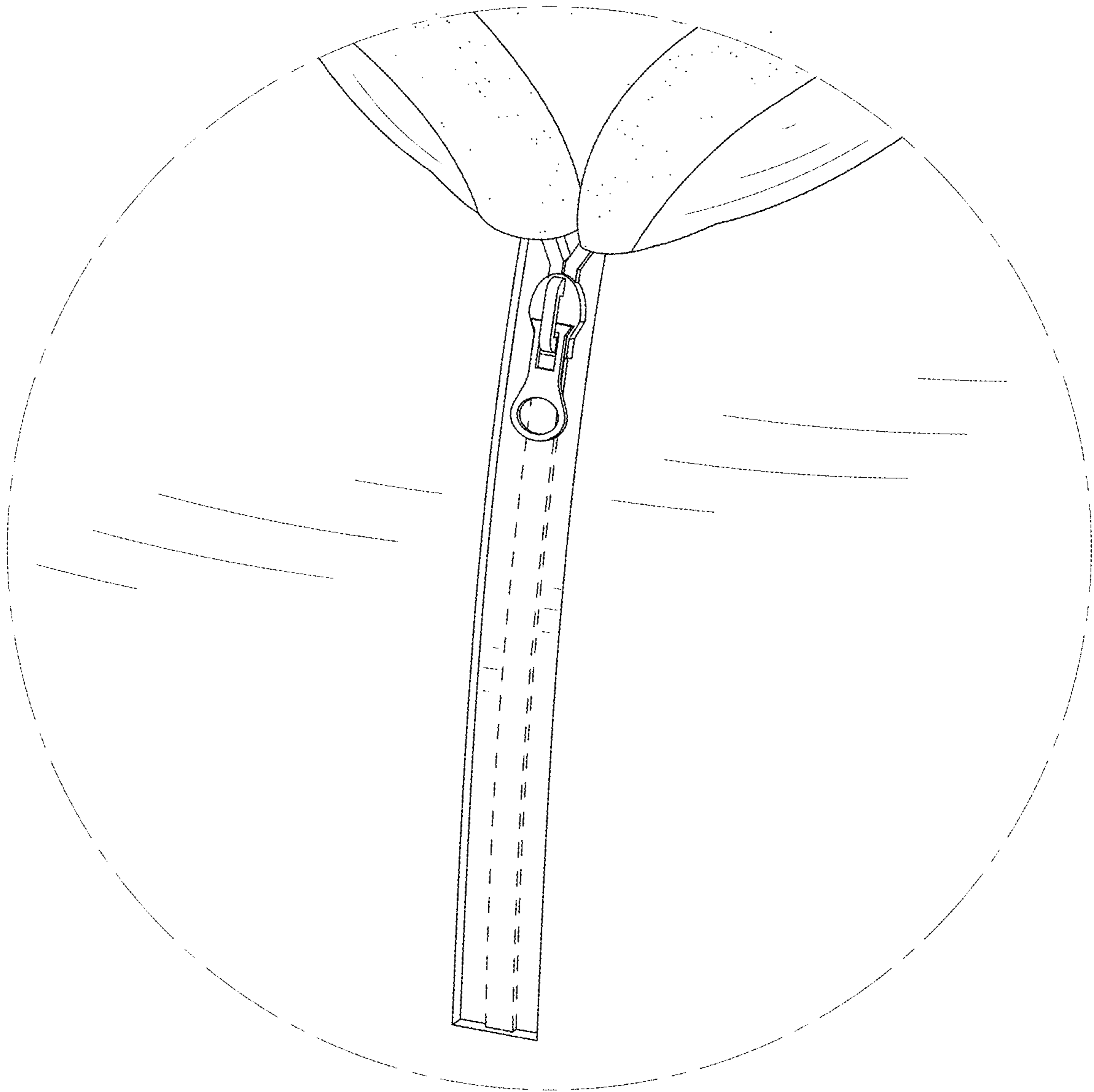


FIG. 9