



US00D967597S

(12) **United States Design Patent** (10) **Patent No.:** **US D967,597 S**
James (45) **Date of Patent:** **** *Oct. 18, 2022**

(54) **PORTION OF A MAILBOX**
(71) Applicant: **Robert James**, Brooklyn, NY (US)
(72) Inventor: **Robert James**, Brooklyn, NY (US)
(*) Notice: This patent is subject to a terminal disclaimer.
(**) Term: **15 Years**

952,173 A * 3/1910 Zitko B60N 3/083
220/477
969,948 A * 9/1910 Gleason A47G 29/1207
232/28
1,215,093 A * 2/1917 Aldal A47G 29/1201
232/25
1,397,438 A * 11/1921 Martin A47G 29/121
232/24
3,189,265 A * 6/1965 Franklin A47G 29/12
232/39

(Continued)

(21) Appl. No.: **29/713,182**
(22) Filed: **Nov. 14, 2019**
(51) **LOC (13) Cl.** **99-00**
(52) **U.S. Cl.**
USPC **D99/43**; D99/29
(58) **Field of Classification Search**
USPC D99/28, 29, 31, 32, 33, 99; D20/1, 2, 4,
D20/5, 6; 109/1 V, 45, 58, 59 R, 66;
70/63, 77, 78; 312/35; 232/1 R, 1 A,
232/1 B, 1 C, 4 R, 2, 17, 19, 20, 21, 24,
232/27, 30, 31, 45
CPC E05B 65/0075; E05G 1/00; E05G 1/005;
E05G 1/02; E05G 1/026; E05G 1/024;
E05G 2700/00; E05G 2700/02; G07D
11/0006; G07D 11/0009; G07D 11/0015;
G07F 9/06; A47G 29/14; A47G 29/16;
A47G 29/20; A47G 29/1203; A47G
29/12; A47G 29/1201; A47G 29/1209;
A45C 1/12; G07C 13/02
See application file for complete search history.

OTHER PUBLICATIONS

Liberty Adjustable 8" to 14" Mail Chute, <https://qualarc.com/shop/column-mailbox-collection/liberty-adjustable-8-to-14-mail-chute/>, Qualarc 2022. (Year: 2022).*

Primary Examiner — Elizabeth J Oswecki
(74) *Attorney, Agent, or Firm* — Ladas & Parry LLP

(57) **CLAIM**

The ornamental design for a portion of a mailbox, as shown and described.

DESCRIPTION

FIG. 1 is a perspective view of a portion of a mailbox showing my new design;
FIG. 2 is a front view thereof;
FIG. 3 is a rear view thereof;
FIG. 4 is a right side view thereof;
FIG. 5 is a left side view thereof;
FIG. 6 is a top view thereof; and,
FIG. 7 is a bottom view thereof.

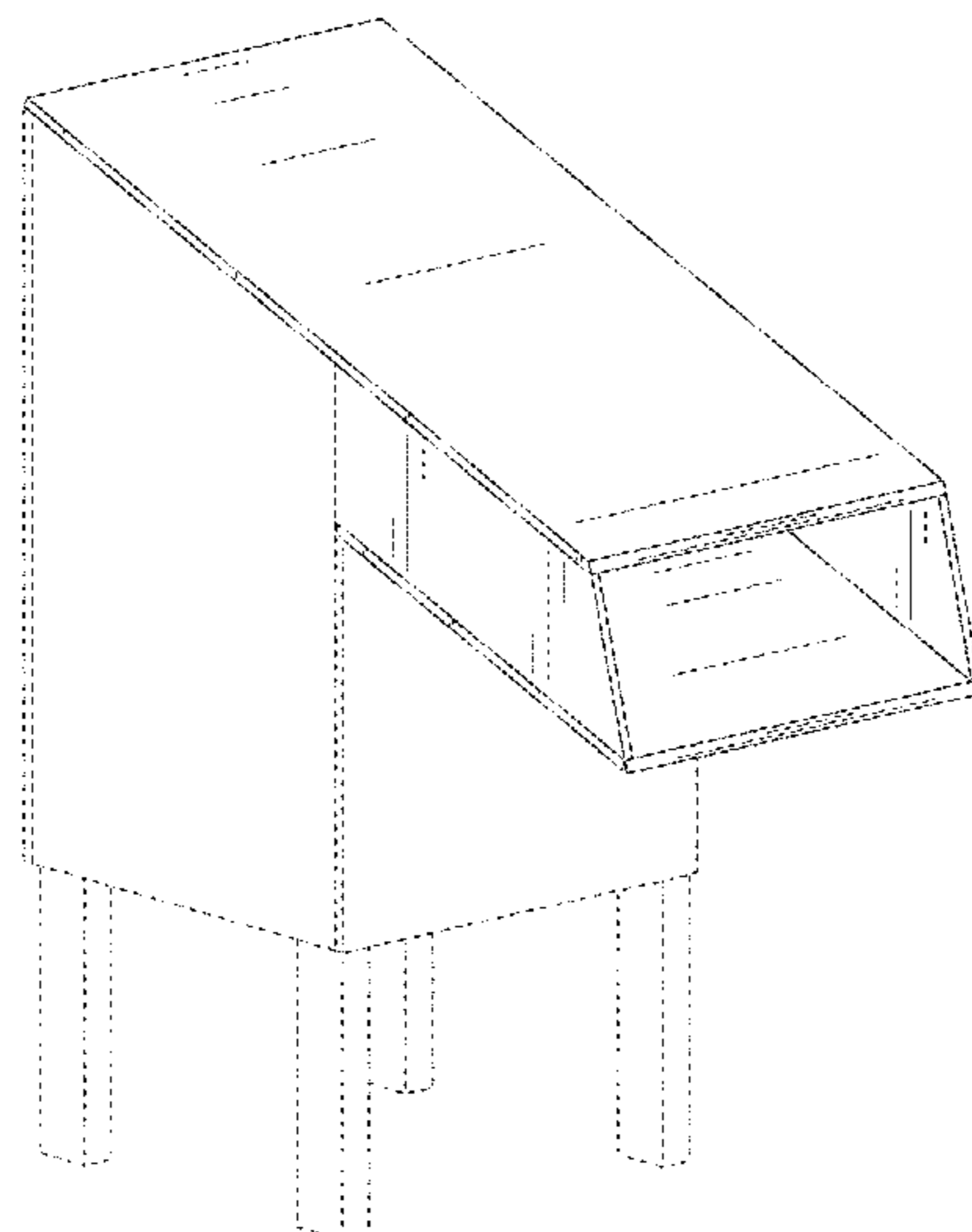
The surface shading illustrated in the drawings is provided merely to highlight the contour of design; it is not intended to be illustrative of texture or gloss.

The evenly spaced broken lines immediately adjacent to the claim represent the bounds of the claimed design. The broken lines form no part of the claimed design.

1 Claim, 7 Drawing Sheets

(56) **References Cited**
U.S. PATENT DOCUMENTS

386,757 A * 7/1888 Regester A47G 29/16
232/51
450,379 A * 4/1891 Sinclair A47G 29/16
232/51
845,964 A * 3/1907 Mittendorf G07F 9/06
232/1 R
914,528 A * 3/1909 Thinnes B65F 1/12
220/477



US D967,597 S

Page 2

(56)

References Cited

U.S. PATENT DOCUMENTS

3,593,914	A *	7/1971	Van Orden	A47G 29/1216	232/47
3,874,583	A *	4/1975	Moll	A47G 29/12095	232/17
3,880,344	A *	4/1975	Earle	A47G 29/1251	232/17
4,135,658	A *	1/1979	Hagberg	E05G 7/008	232/44
4,190,004	A *	2/1980	Richardson	E05G 7/008	109/19
4,195,744	A *	4/1980	Christianson	B65D 88/10	206/386
D279,724	S *	7/1985	Stacy	D6/671	
4,776,512	A *	10/1988	Moore, Sr.	A47G 29/1223	248/101
4,890,733	A *	1/1990	Anderson	B65F 1/1607	220/908
D354,610	S *	1/1995	Hassan	D99/29	
D354,827	S *	1/1995	Filipak	D99/29	
D371,883	S *	7/1996	Burt	D99/29	
6,378,769	B1 *	4/2002	Wolgamot	E06B 7/32	232/19
D476,792	S *	7/2003	Macari	D99/29	
6,588,655	B2 *	7/2003	Stapleton, Jr.	E06B 7/34	232/44
D483,543	S *	12/2003	Stoll	D99/29	
6,719,195	B2 *	4/2004	Farentinos	A47G 29/22	232/47
D512,804	S *	12/2005	Wilson	D99/29	
D528,260	S *	9/2006	Wilson	D99/29	
D531,379	S *	10/2006	Piner	D99/29	
D569,074	S *	5/2008	Irwin	D99/29	
D702,915	S *	4/2014	Steele	D99/29	
D726,990	S *	4/2015	Aziz	D99/29	
10,251,503	B1 *	4/2019	Fulps	A47G 29/12	
10,487,571	B2 *	11/2019	Humma	E05B 65/0864	
10,549,926	B2 *	2/2020	Cano Coscia	E04F 17/12	
11,141,014	B2 *	10/2021	James	A47G 29/124	

* cited by examiner

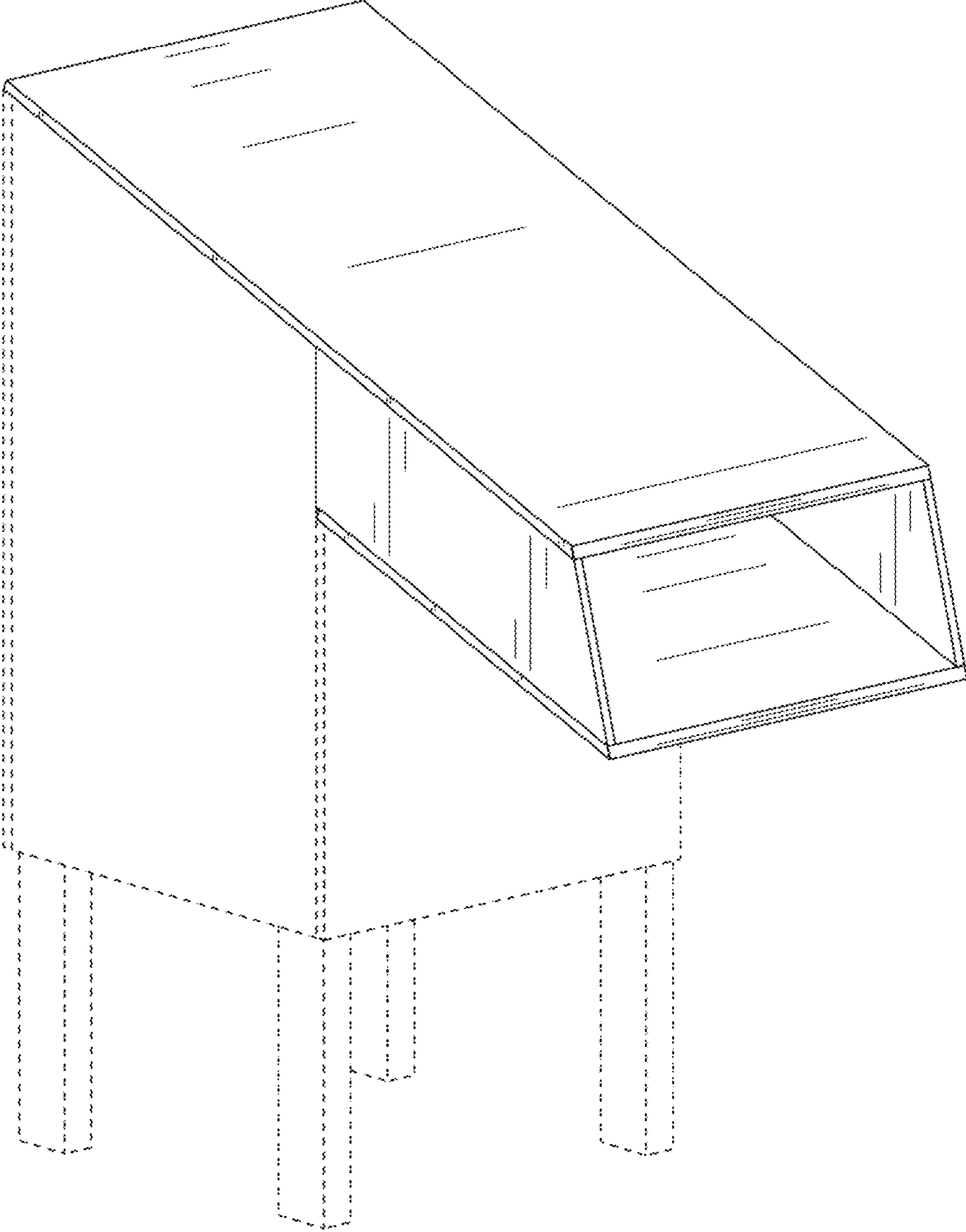


FIG. 1

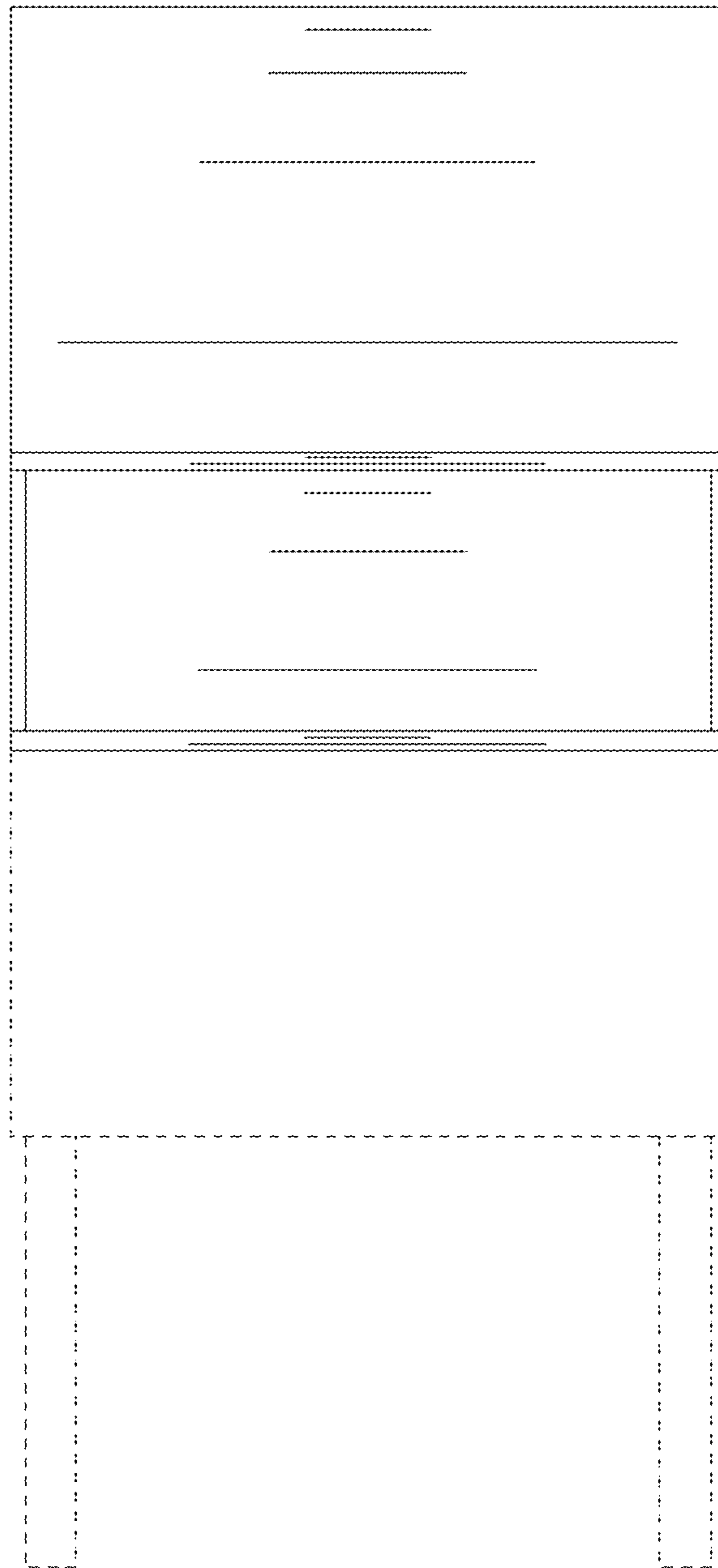


FIG. 2

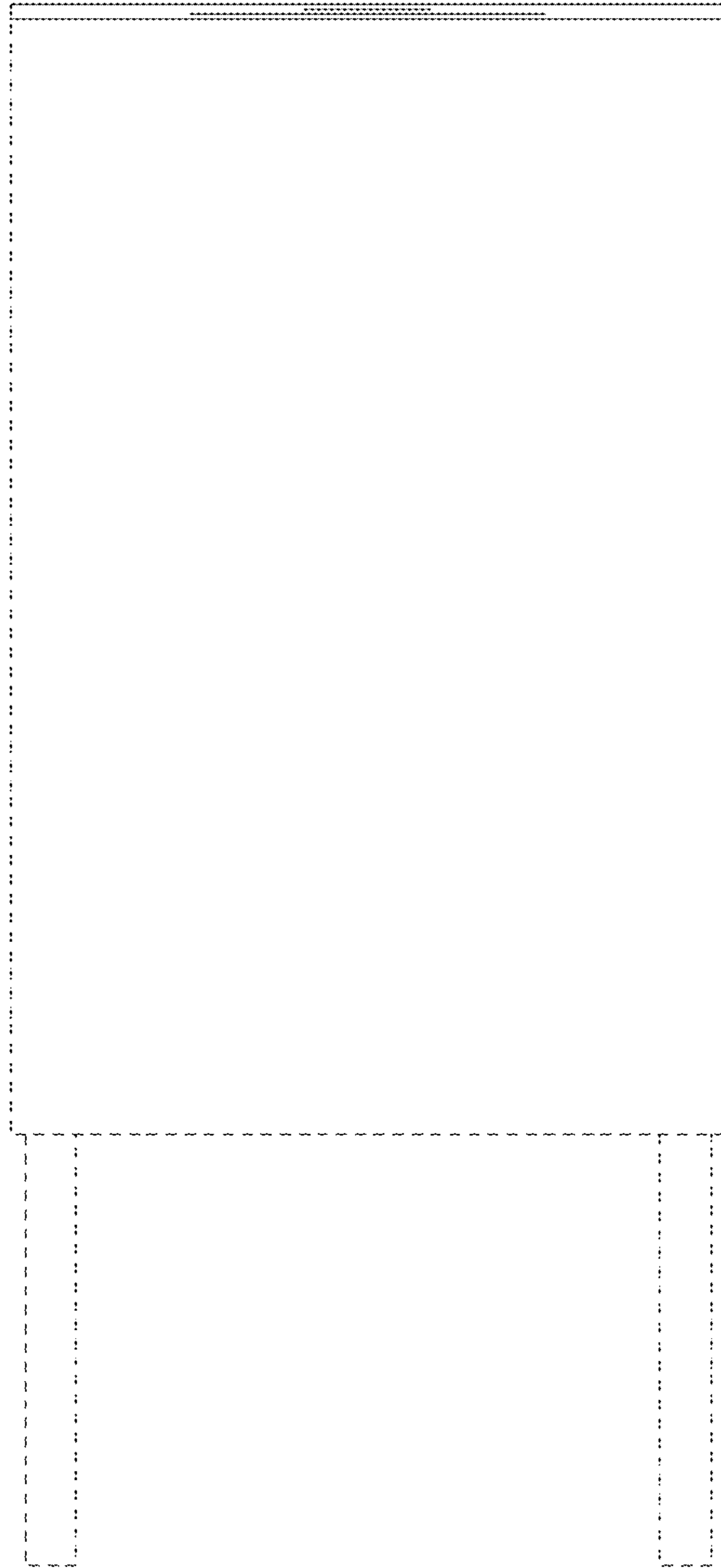


FIG. 3

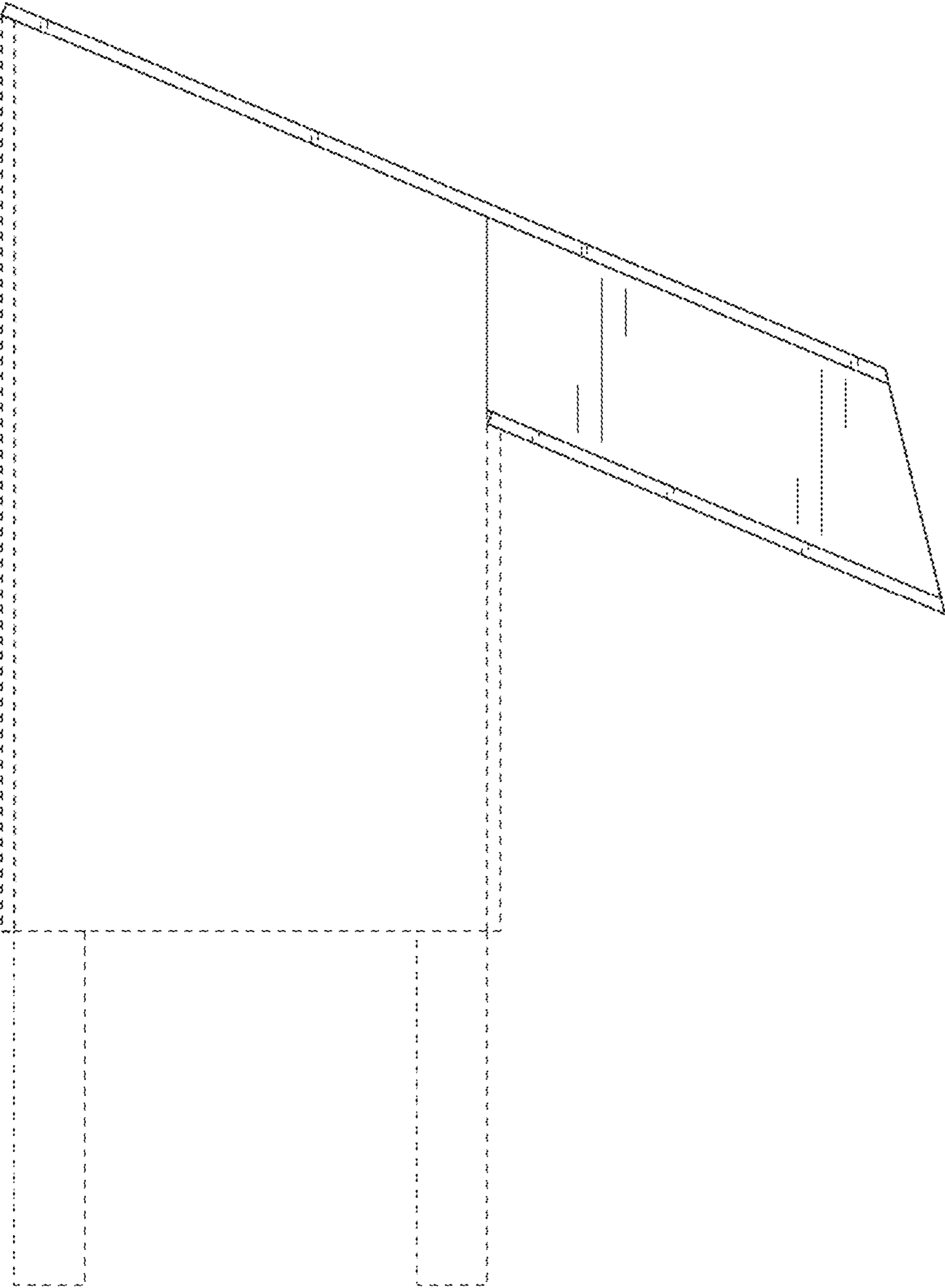


FIG. 4

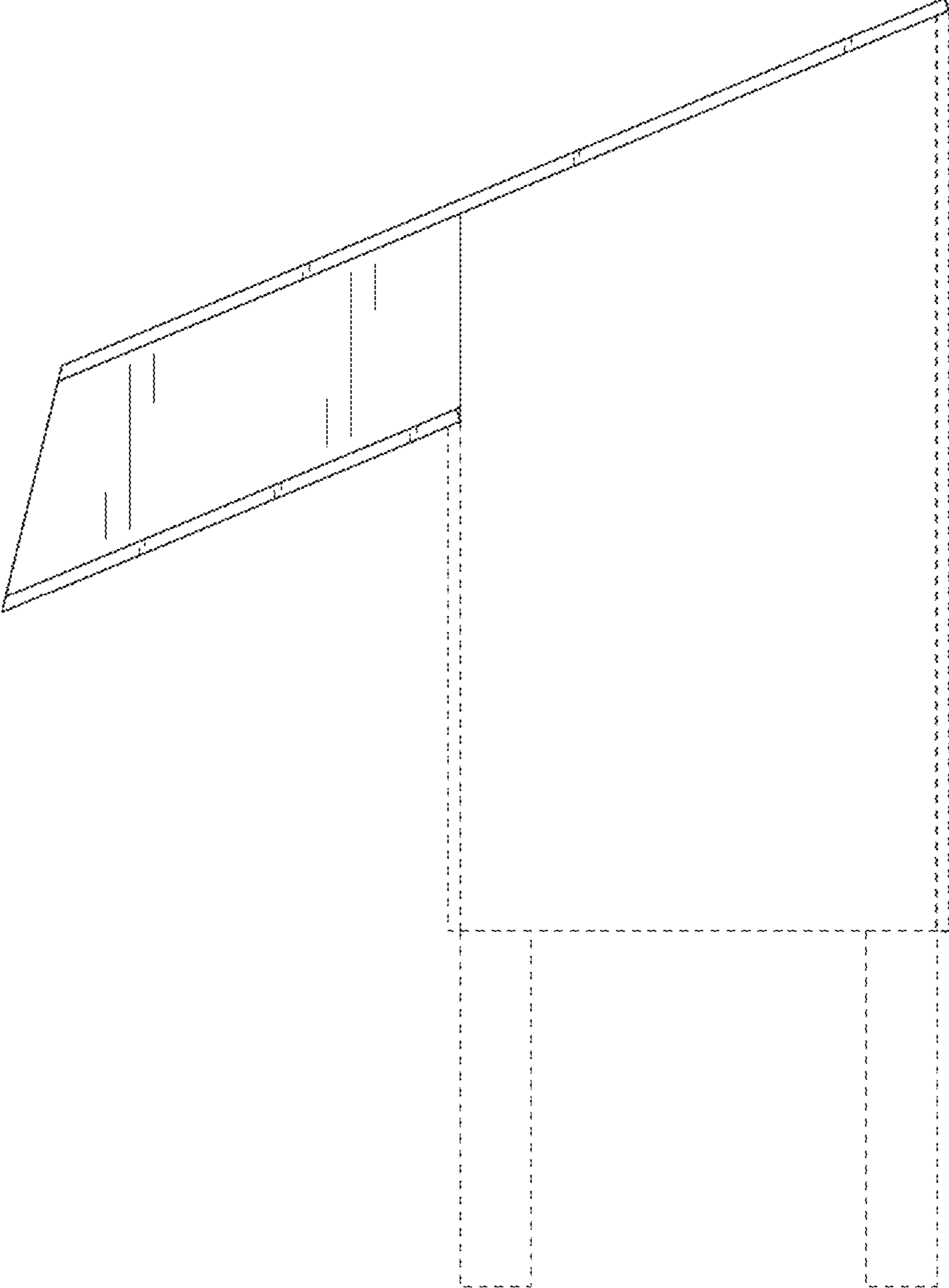


FIG. 5

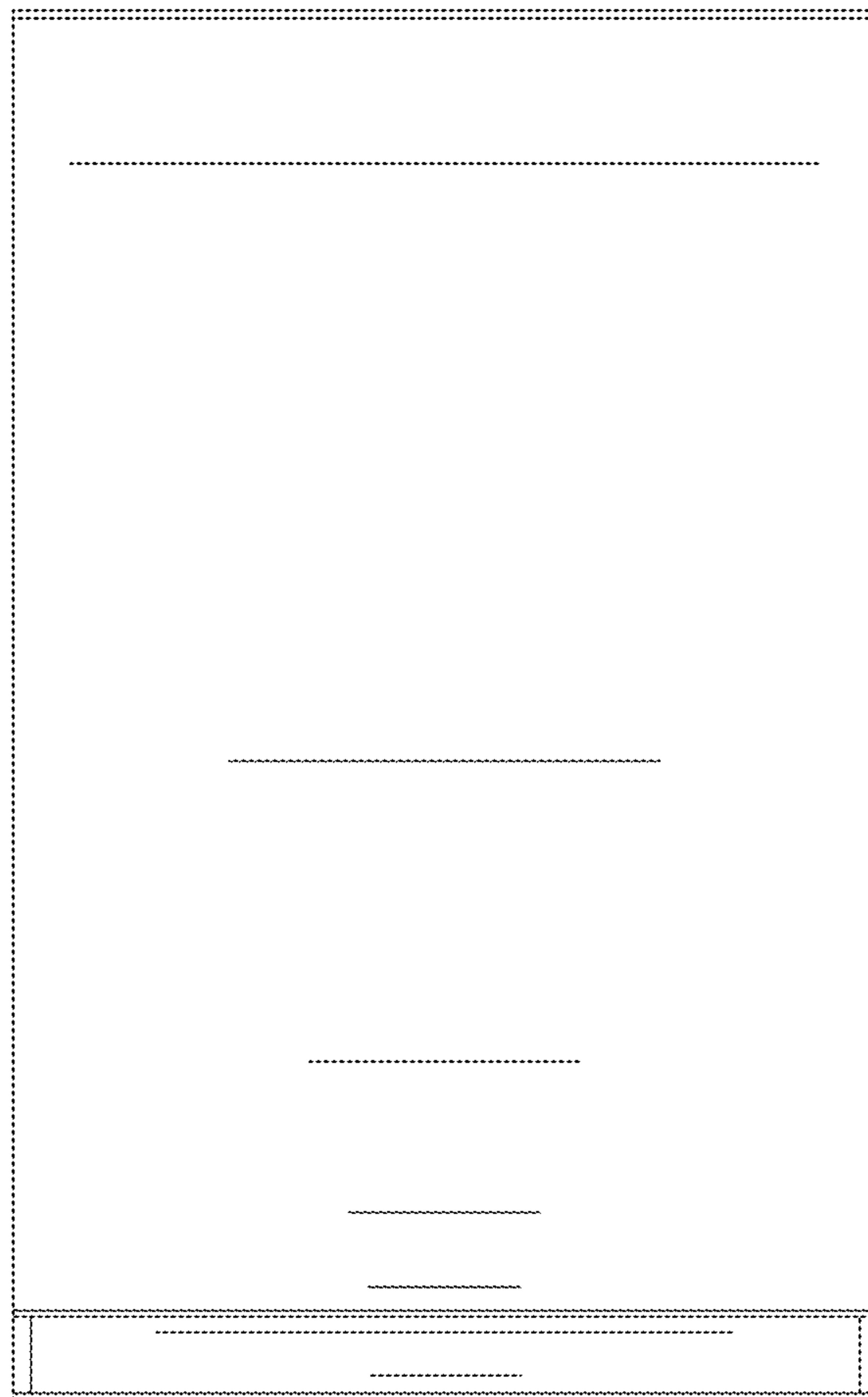


FIG. 6

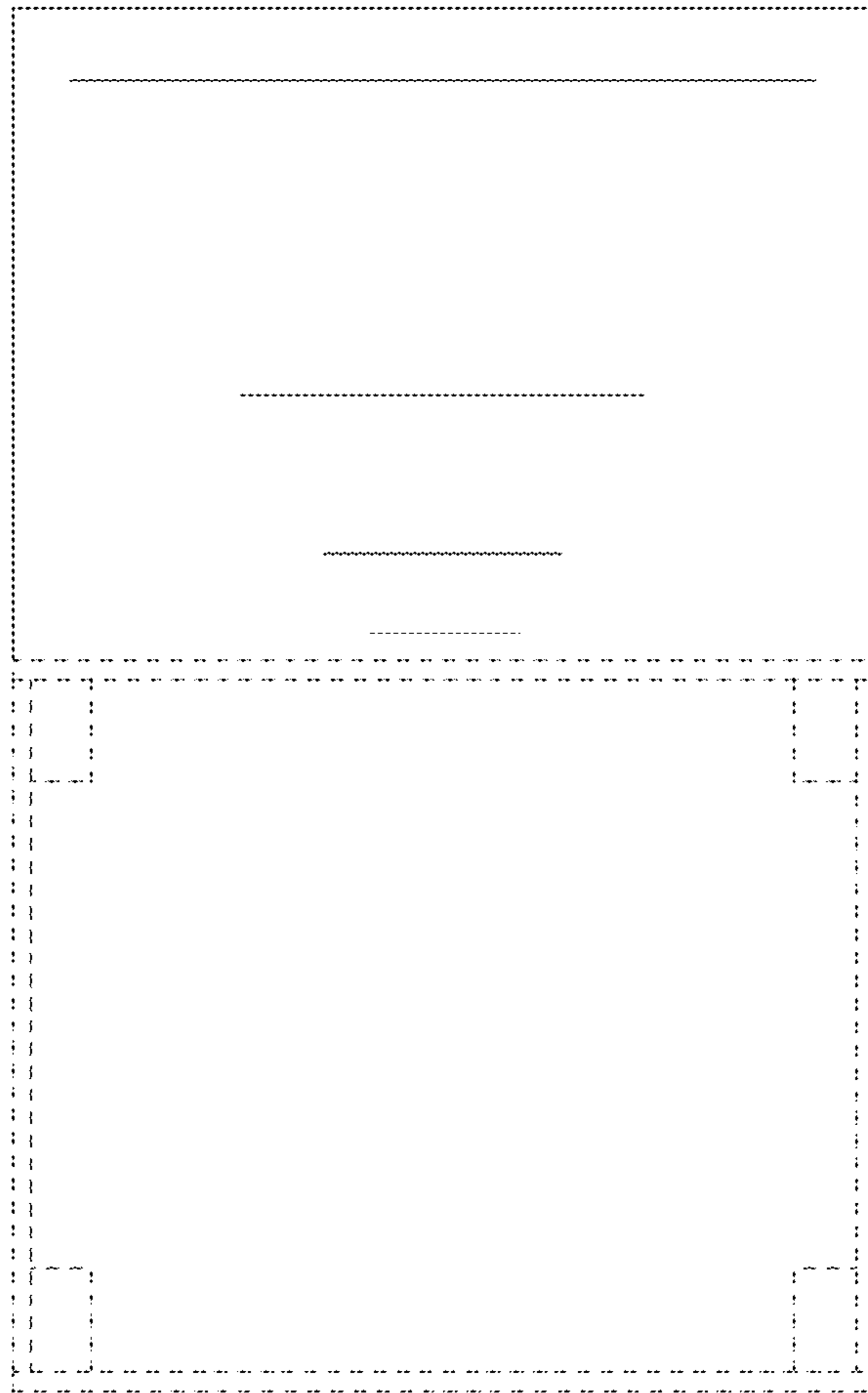


FIG. 7