



US00D967595S

(12) **United States Design Patent** (10) **Patent No.:** **US D967,595 S**  
**Stent** (45) **Date of Patent:** **\*\* Oct. 18, 2022**

(54) **TILLER CONTROL**

(56) **References Cited**

(71) Applicant: **Hyster-Yale Group, Inc.**, Fairview, OR (US)

U.S. PATENT DOCUMENTS

(72) Inventor: **Mark Stent**, Fairview, OR (US)

4,396,067 A	8/1983	Enters
4,895,040 A	1/1990	Soederberg
D463,458 S	9/2002	Arthur
D516,097 S	2/2006	Bergman
D583,837 S	12/2008	Andou
D586,827 S	2/2009	Andou
8,483,914 B2	7/2013	Copeland
D728,634 S	5/2015	Alpsten
D757,634 S	5/2016	Uusitalo
D760,813 S	7/2016	Roemer
D854,055 S	7/2019	Hiraoka
D859,475 S	9/2019	Sasaki
D903,725 S	12/2020	Loew
D940,762 S	1/2022	Stent

(73) Assignee: **HYSTER-YALE GROUP, INC.**, Fairview, OR (US)

(\*\*) Term: **15 Years**

(21) Appl. No.: **29/837,599**

(22) Filed: **May 6, 2022**

*Primary Examiner* — Mark A Goodwin

(74) *Attorney, Agent, or Firm* — Schwabe Williamson & Wyatt

**Related U.S. Application Data**

(62) Division of application No. 29/813,294, filed on Oct. 27, 2021, now Pat. No. Des. 955,684, which is a division of application No. 29/670,814, filed on Nov. 20, 2018, now Pat. No. Des. 940,762.

(57) **CLAIM**

I claim the ornamental design for a tiller control, as shown and described.

(51) **LOC (13) Cl.** ..... **12-05**

**DESCRIPTION**

(52) **U.S. Cl.**  
USPC ..... **D34/35**; D15/24

(58) **Field of Classification Search**  
USPC ..... D15/10, 17, 22–26, 28, 30; D12/192;  
D34/28, 35; 74/491, 469, 471 R,  
74/471 XY; 296/1.09, 191, 153;  
297/411.36, 217.3, 411.2, 411.21;  
180/333, 315, 326, 332, 329, 331, 90,  
180/334

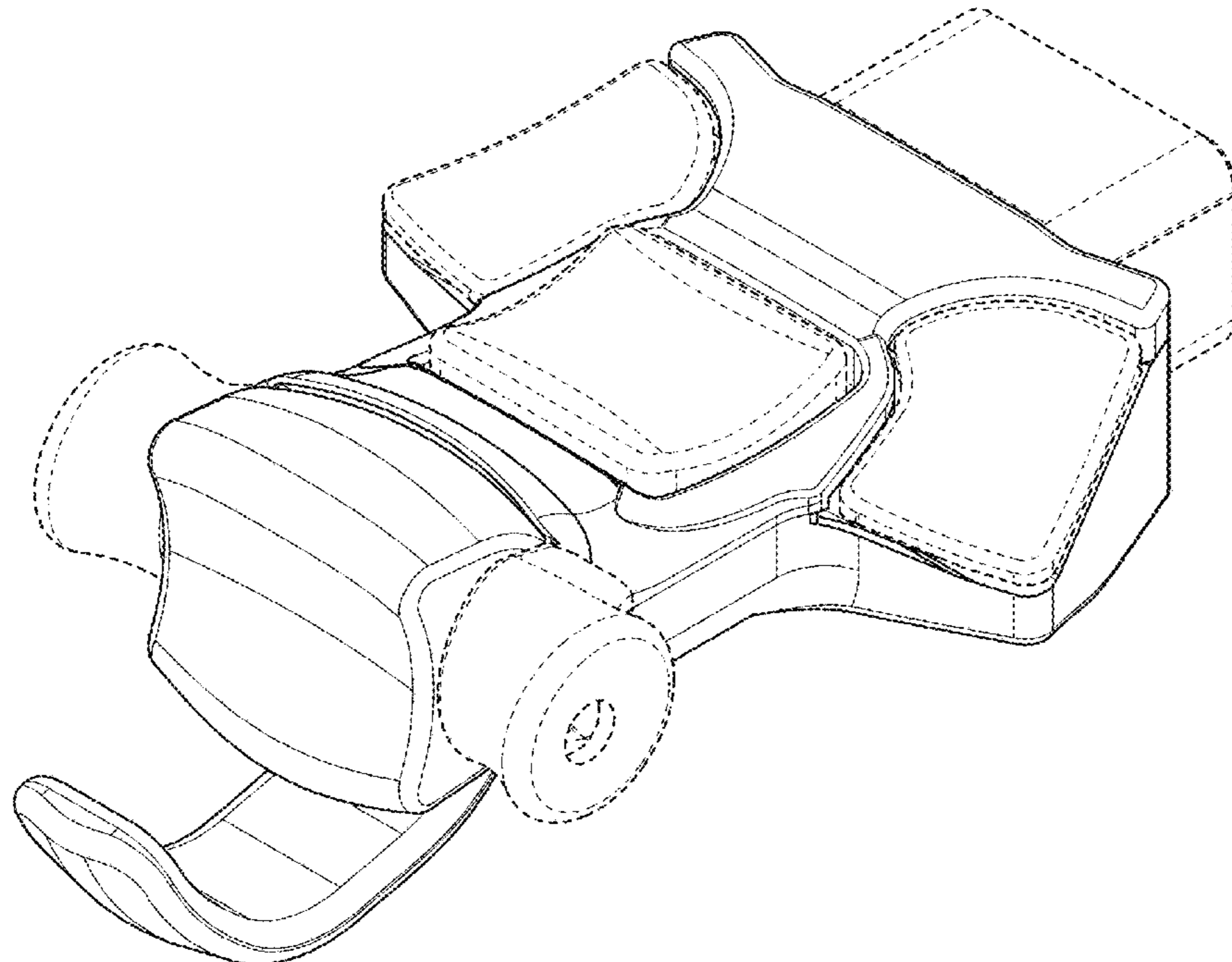
FIG. 1 is a front perspective view of an embodiment of a tiller control, showing my new design;  
FIG. 2 is a front view thereof;  
FIG. 3 is a back view thereof;  
FIG. 4 is a right side view thereof;  
FIG. 5 is a left side view thereof;  
FIG. 6 is a top view thereof; and,  
FIG. 7 is a bottom view thereof.

The dashed lines are included for illustrating unclaimed portions of the tiller control, and form no part of the claimed design.

CPC ..... B60N 2/46; B60N 2/4646; B60N 2/4653;  
B60N 2/4693; B60N 2/38

See application file for complete search history.

**1 Claim, 7 Drawing Sheets**



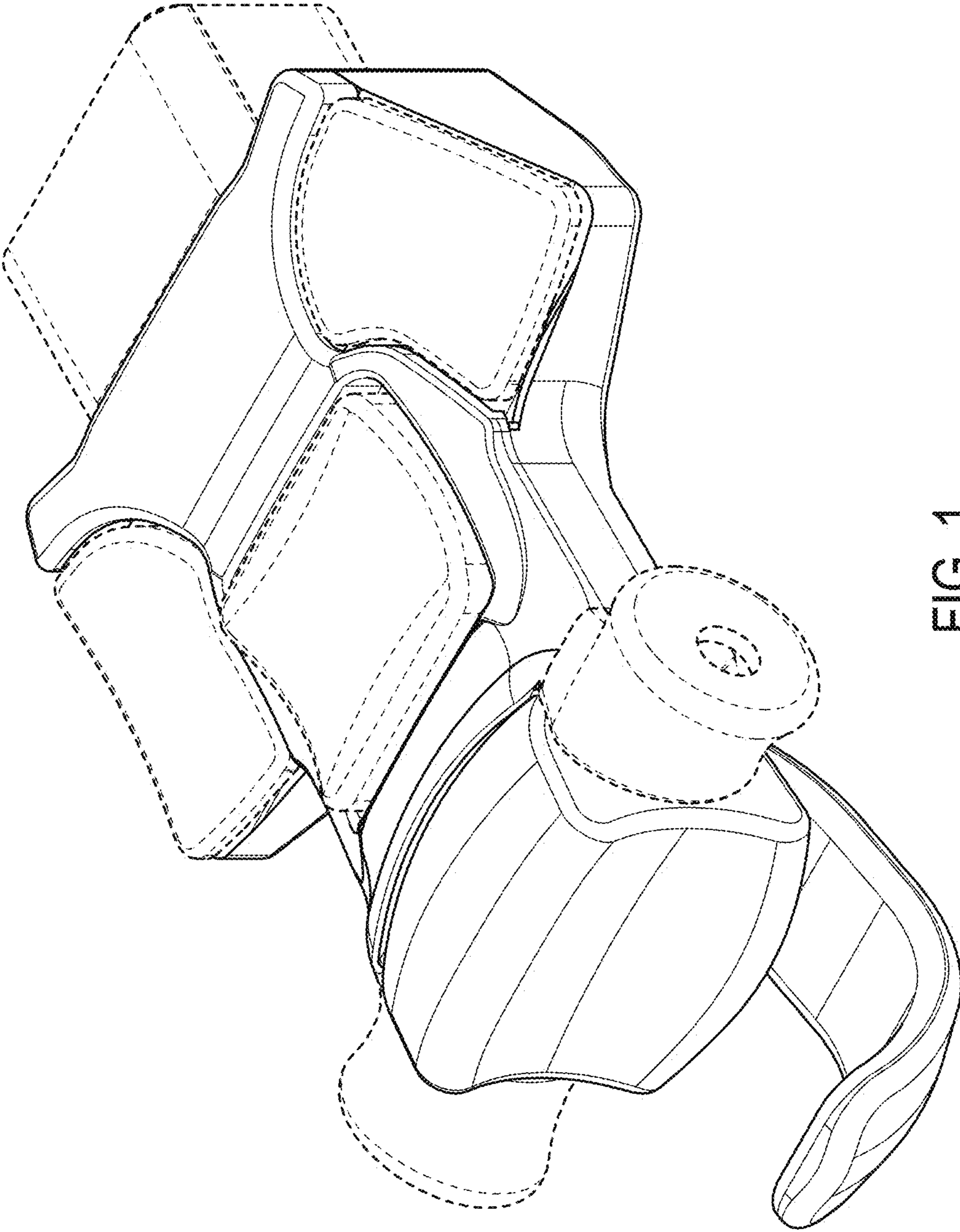


FIG. 1

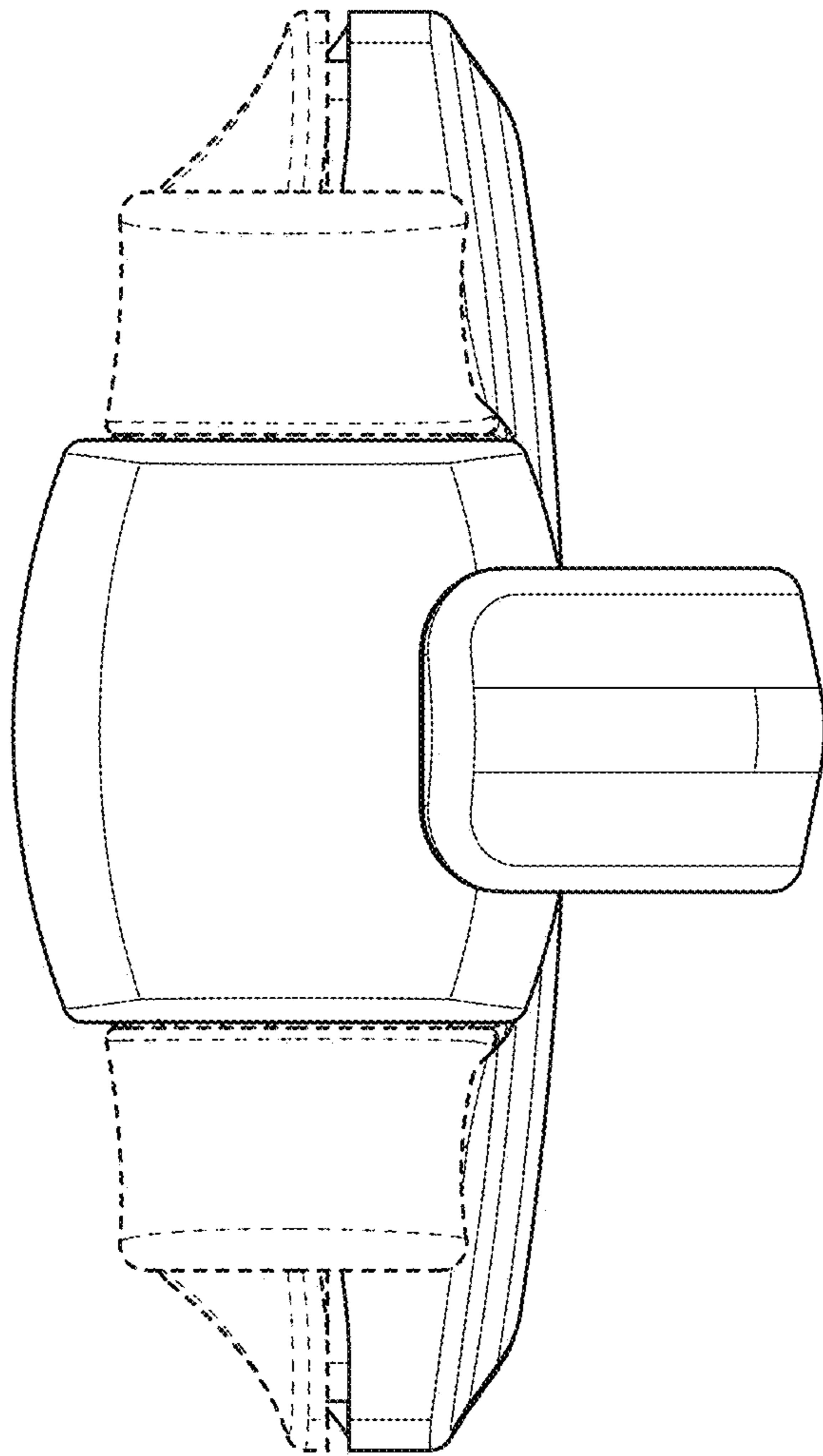


FIG. 2

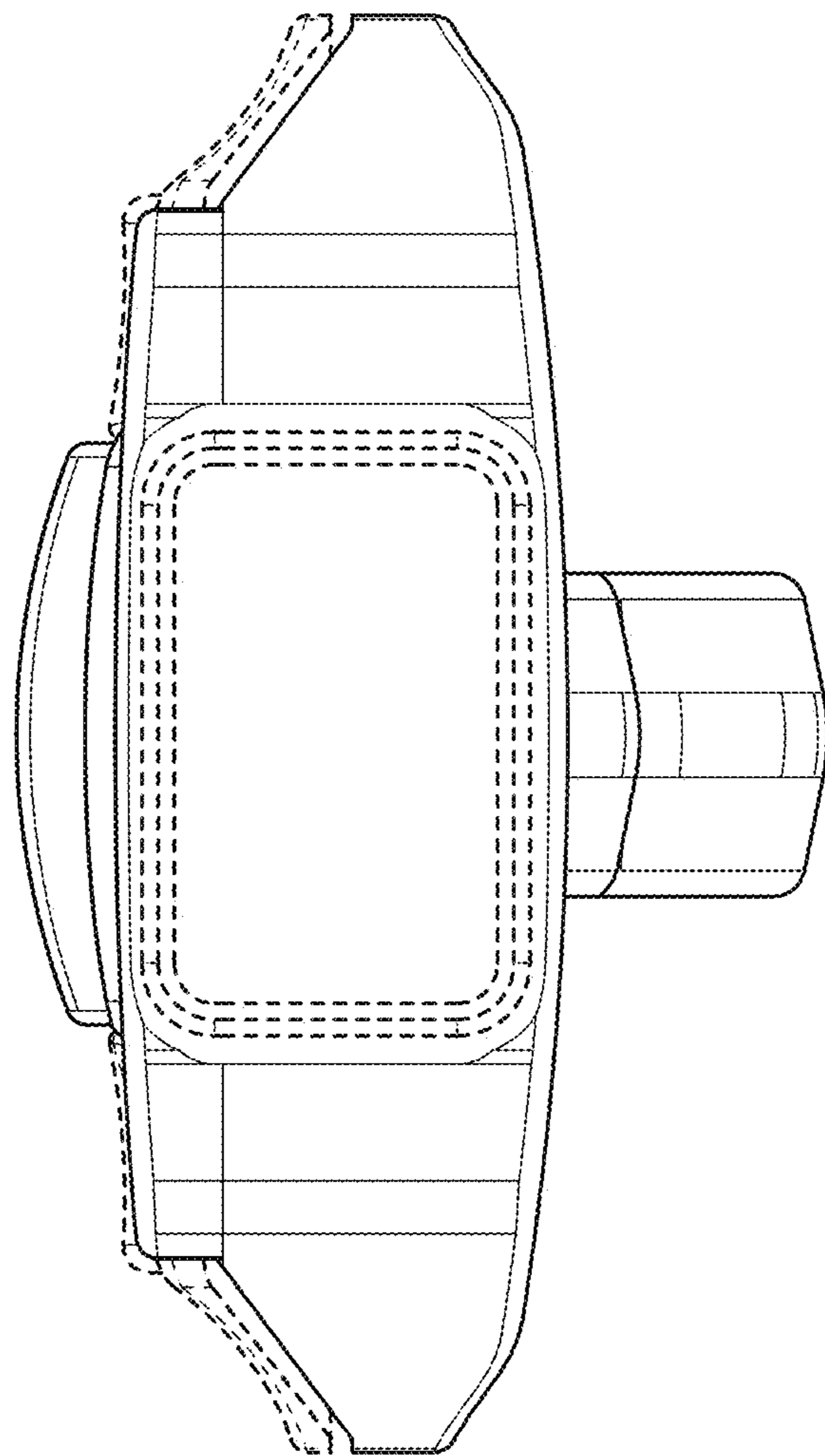


FIG. 3



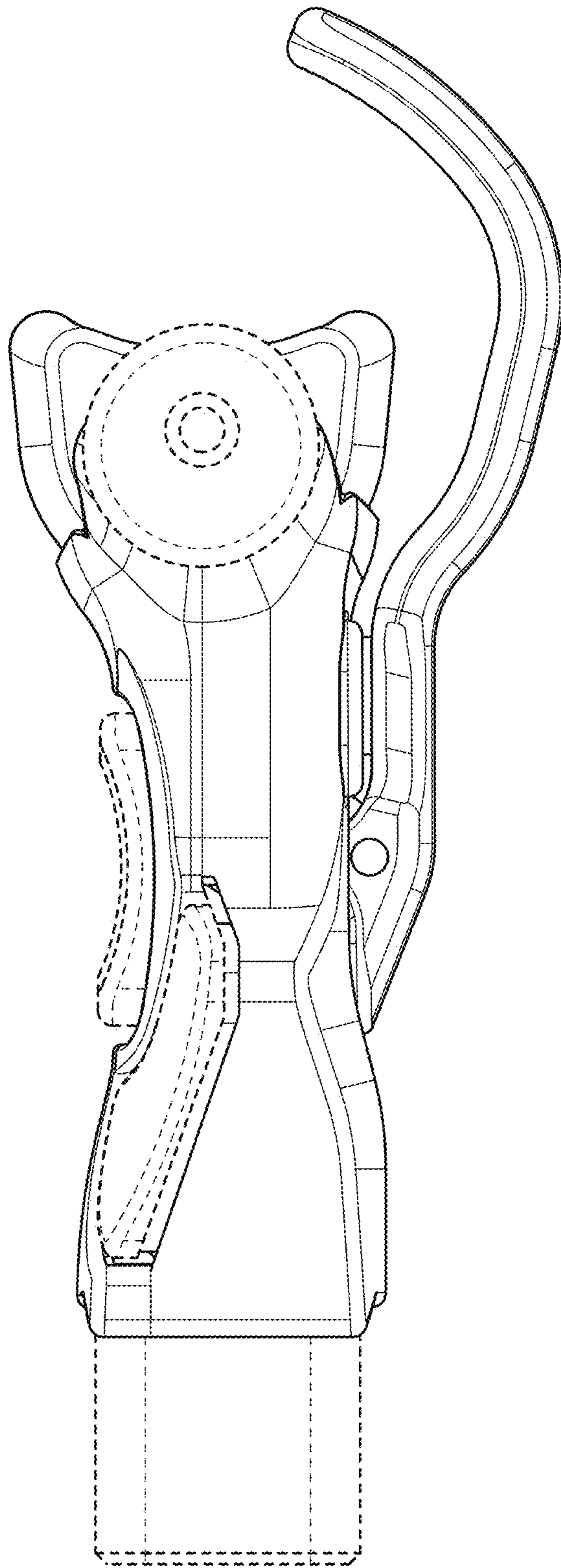


FIG. 4

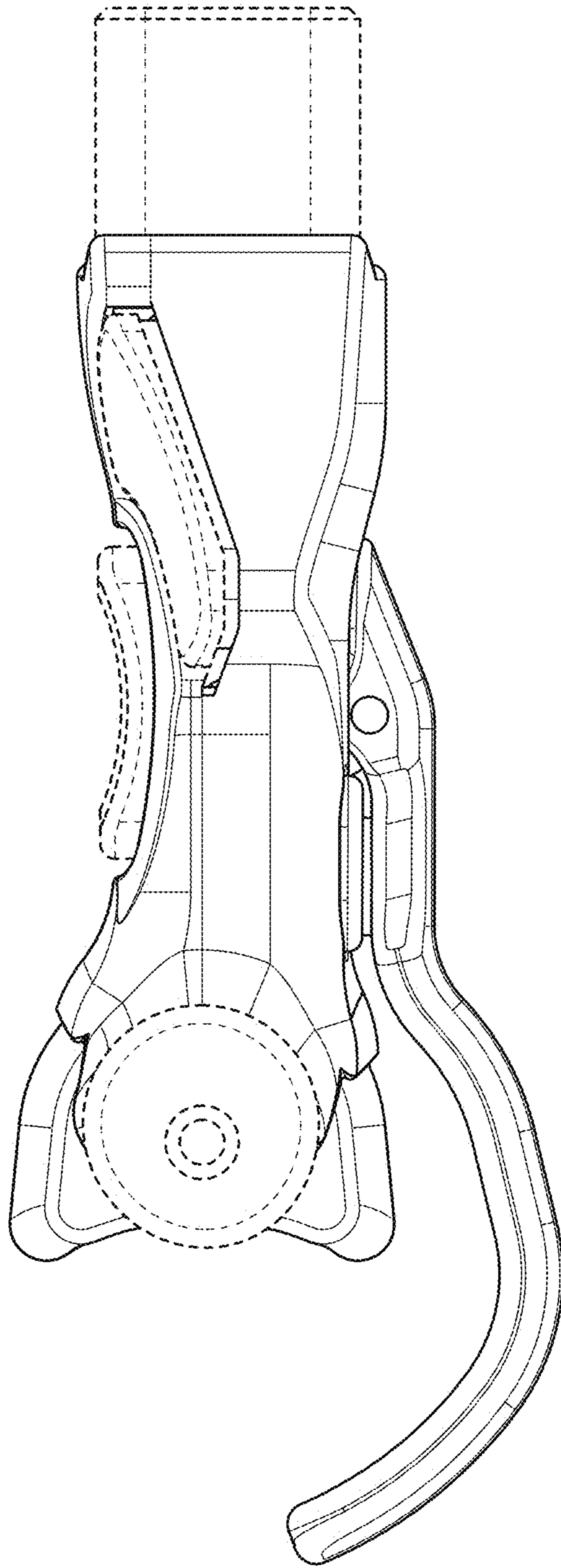


FIG. 5

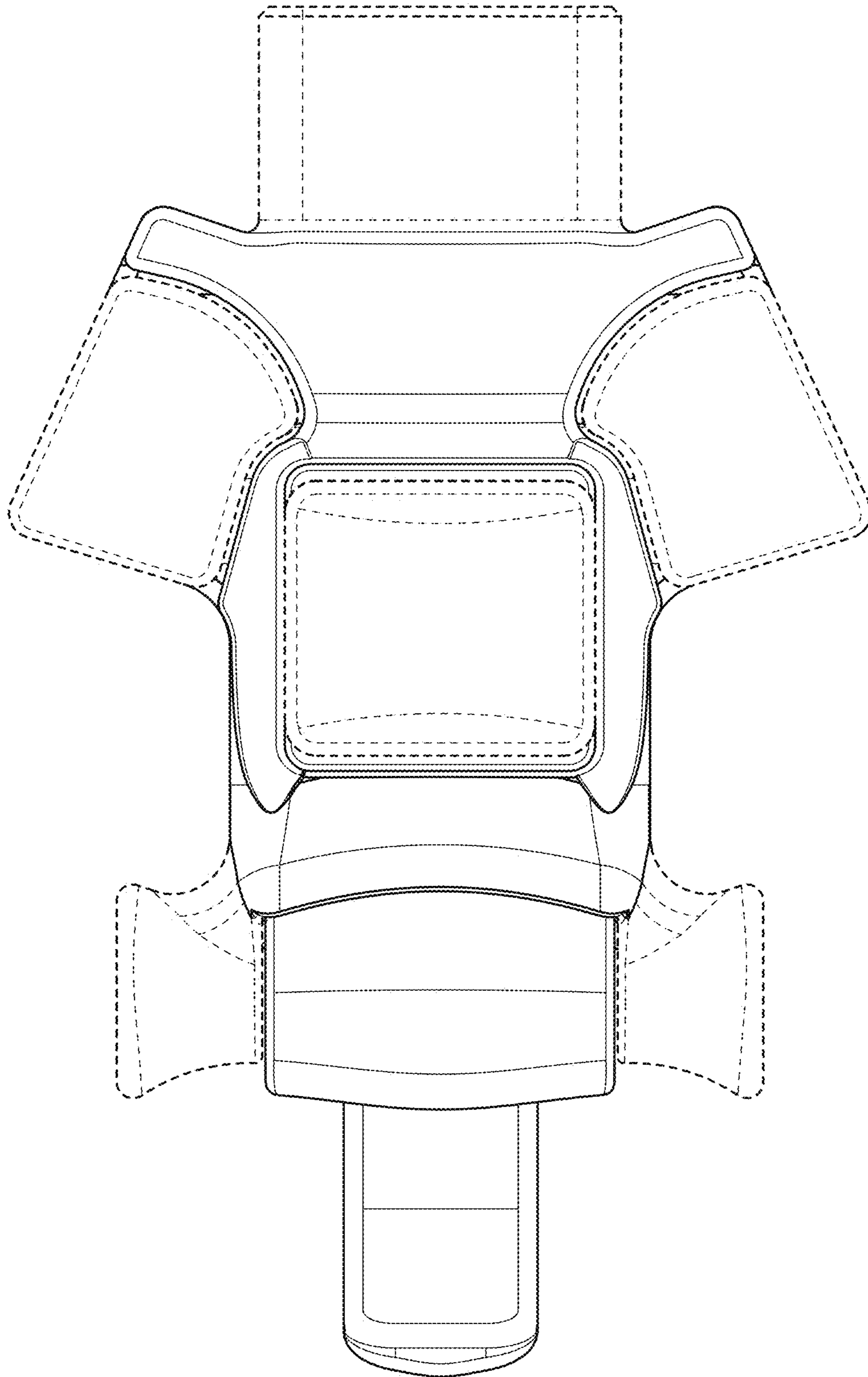


FIG. 6

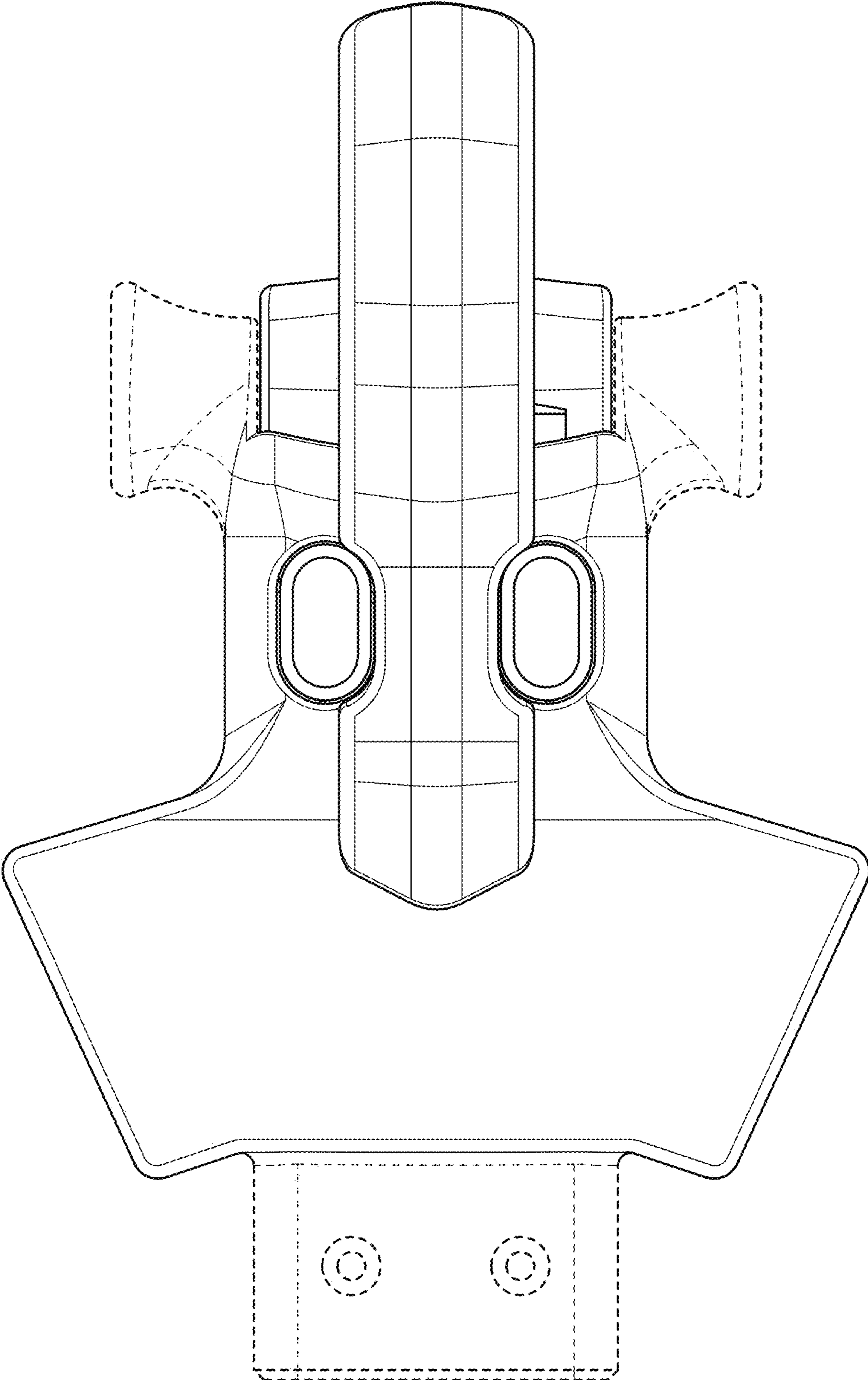


FIG. 7