

US00D967592S

(12) **United States Design Patent** (10) **Patent No.:** **US D967,592 S**  
**Isringhausen et al.** (45) **Date of Patent:** **\*\* Oct. 18, 2022**

(54) **LIFTING ARM**  
(71) Applicant: **Cranemasters, Inc.**, North Chesterfield, VA (US)  
(72) Inventors: **Barry Isringhausen**, Providence Forge, VA (US); **Britt Calloway**, Midlothian, VA (US); **Jonathan Dip**, Glen Allen, VA (US); **Andrew Nitchie**, Richmond, VA (US)

4,576,406 A 3/1986 Johnson et al.  
D306,599 S 3/1990 Hunter  
5,163,804 A 11/1992 Kobayashi  
D332,271 S 1/1993 DuBose et al.  
5,184,860 A 2/1993 Bouillon et al.  
5,330,242 A 7/1994 Lucky, Sr.  
D354,605 S 1/1995 Lucky, Sr.  
5,620,298 A 4/1997 Barwise  
5,865,492 A 2/1999 Horton  
D408,609 S 4/1999 Oja et al.

(Continued)

(73) Assignee: **Cranemasters, Inc.**, North Chesterfield, VA (US)

(\*\*) Term: **15 Years**

(21) Appl. No.: **29/750,481**

(22) Filed: **Sep. 14, 2020**

(51) **LOC (13) Cl.** ..... **12-05**

(52) **U.S. Cl.**  
USPC ..... **D34/35**

(58) **Field of Classification Search**  
USPC ..... D34/28, 33, 35; D15/28, 32  
CPC ..... E02F 3/3681; E02F 3/4135; B66D 1/44;  
B66D 1/425; B66C 3/16; B66C 3/14;  
B66C 3/005; B66C 3/04

See application file for complete search history.

(56) **References Cited**

**U.S. PATENT DOCUMENTS**

D34,869 S \* 7/1901 Hartig ..... D15/28  
D189,049 S 10/1960 McElderry  
3,627,372 A 12/1971 Carpenter et al.  
3,841,507 A 10/1974 Barwise  
3,877,743 A 4/1975 Johnson  
3,972,431 A 8/1976 Fischer  
4,005,894 A 2/1977 Tucek  
4,022,331 A 5/1977 Bean et al.  
4,023,848 A 5/1977 Bennett  
4,358,147 A 11/1982 Hungerford  
D272,827 S 2/1984 Sapelak

**OTHER PUBLICATIONS**

U.S. Appl. No. 29/750,477, filed Sep. 14, 2020.  
U.S. Appl. No. 29/759,049, filed Nov. 19, 2020.  
U.S. Appl. No. 29/759,051, filed Nov. 19, 2020.

*Primary Examiner* — Cynthia Ramirez

*Assistant Examiner* — Tamara L Hahn

(74) *Attorney, Agent, or Firm* — Sterne, Kessler, Goldstein & Fox P.L.L.C.

(57) **CLAIM**

The ornamental design for a lifting arm, as shown and described.

**DESCRIPTION**

FIG. 1 is a front perspective view of a lifting arm showing the claimed design;

FIG. 2 is a rear perspective view thereof;

FIG. 3 is a front view thereof;

FIG. 4 is a rear view thereof;

FIG. 5 is a left side view thereof;

FIG. 6 is a right side view thereof;

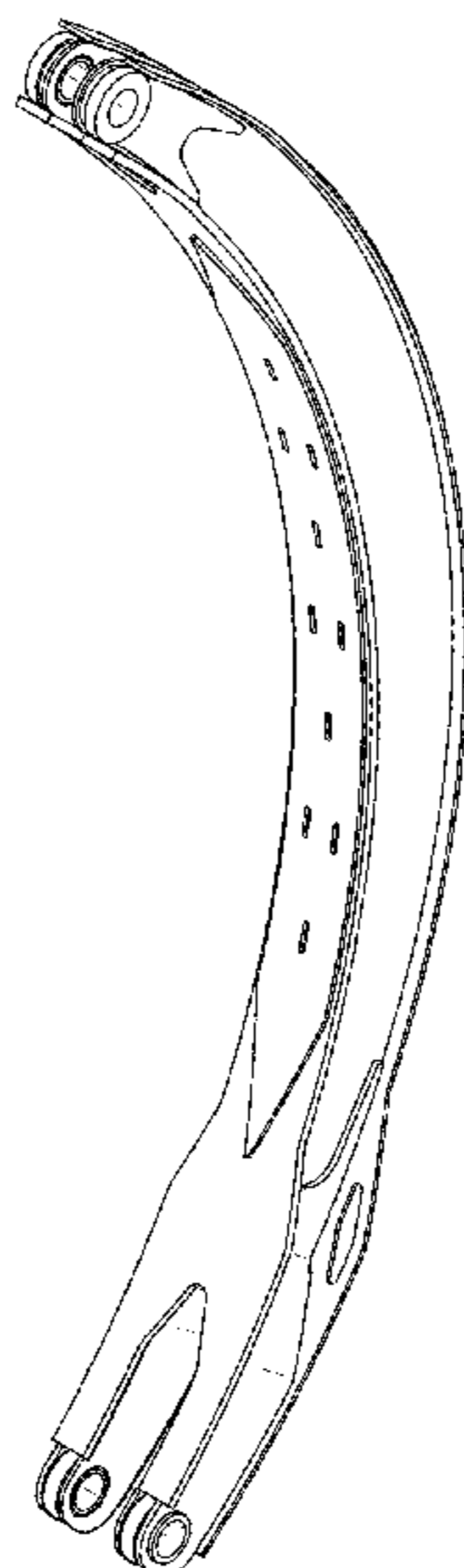
FIG. 7 is a top view thereof;

FIG. 8 is a bottom view thereof; and,

FIG. 9 is another right side view thereof in an environment in which it may be used.

The broken lines in FIG. 9 show environment that forms no part of the claimed design.

**1 Claim, 7 Drawing Sheets**



(56)

References Cited

U.S. PATENT DOCUMENTS

5,890,754	A	4/1999	Murr	
D412,913	S *	8/1999	Sasaki .....	D15/28
6,168,219	B1	1/2001	Futa	
D442,757	S *	5/2001	Loffin, Sr. ....	D15/32
D496,945	S	10/2004	Daniel	
D518,075	S *	3/2006	Westendorf .....	D15/32
7,066,076	B2	6/2006	Roy et al.	
D533,883	S *	12/2006	Higashikawa .....	D15/32
D538,829	S *	3/2007	Nilsson .....	D15/28
7,785,057	B2	8/2010	Noonan et al.	
7,963,230	B2	6/2011	Simpson et al.	
D645,062	S	9/2011	Lavalley et al.	
D656,164	S *	3/2012	Nilsson .....	D15/28
8,156,720	B2	4/2012	Daraie et al.	
D697,945	S	1/2014	Healey et al.	
D779,565	S	2/2017	Jensen	
10,150,651	B2	12/2018	Isringhausen et al.	
10,577,226	B2	3/2020	Isringhausen et al.	
D920,390	S	5/2021	Johnson et al.	
D923,062	S *	6/2021	Park .....	D15/32
D930,052	S *	9/2021	Isringhausen .....	B66C 1/425
				D15/32
D931,342	S *	9/2021	Isringhausen .....	B66C 1/44
				D15/32
2005/0100432	A1	5/2005	Mattson et al.	
2005/0200146	A1 *	9/2005	Mieger .....	E02F 9/2883
				294/106
2007/0130808	A1	6/2007	Peterson et al.	
2013/0069383	A1	3/2013	Sunde et al.	
2014/0028038	A1	1/2014	LaValley et al.	
2019/0382244	A1	12/2019	Hawkes	

\* cited by examiner

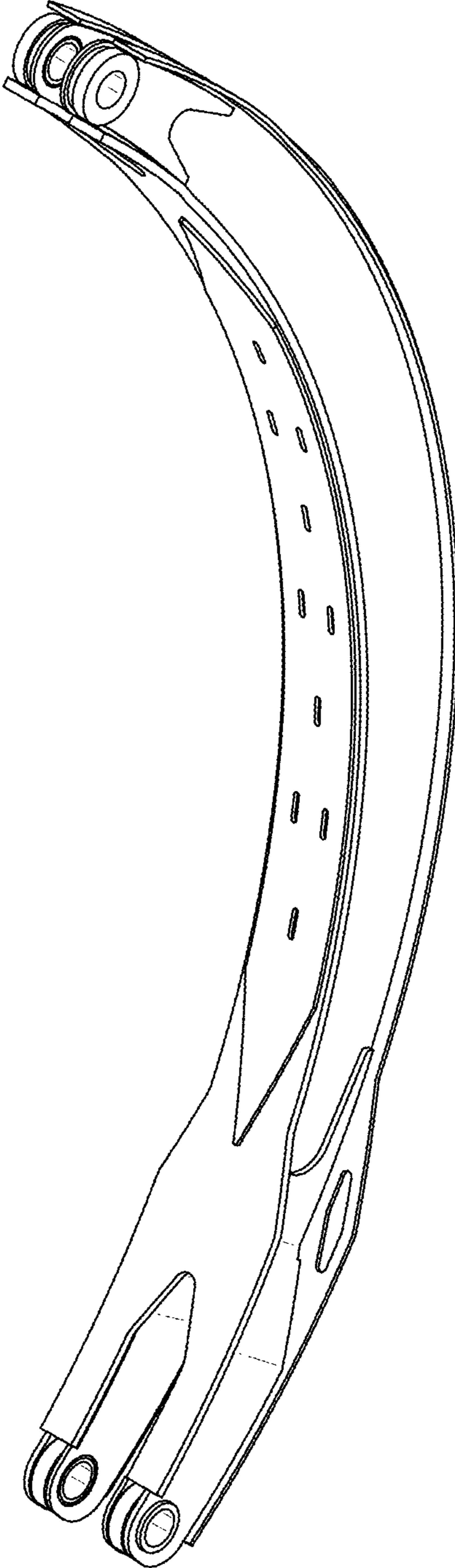
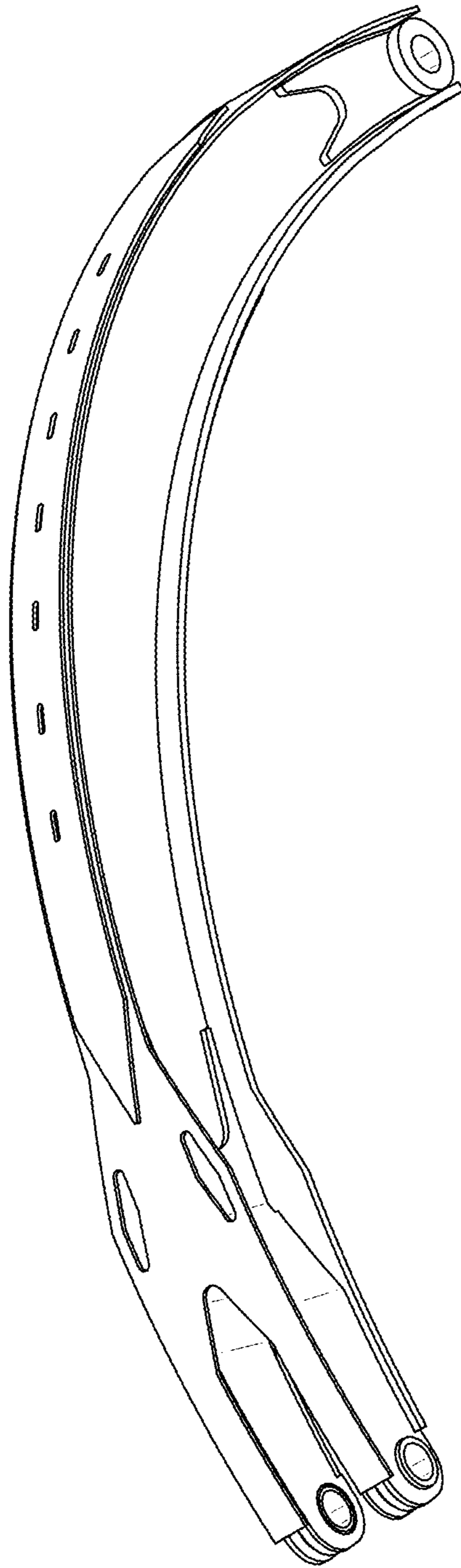
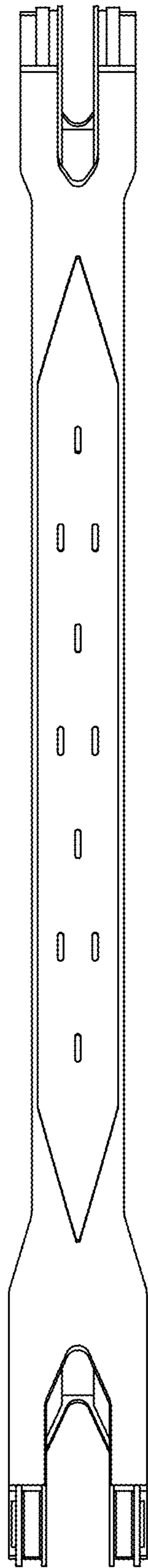


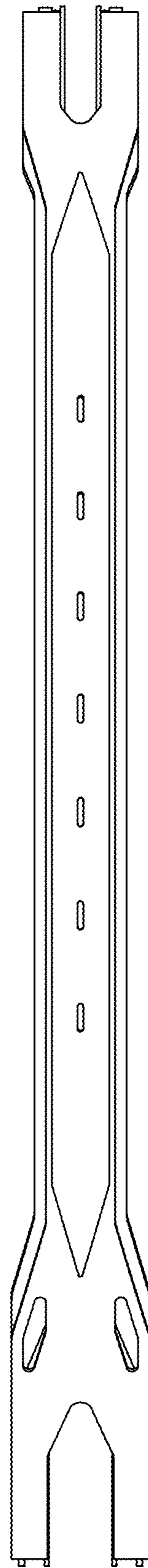
FIG. 1



**FIG. 2**



**FIG. 3**



**FIG. 4**

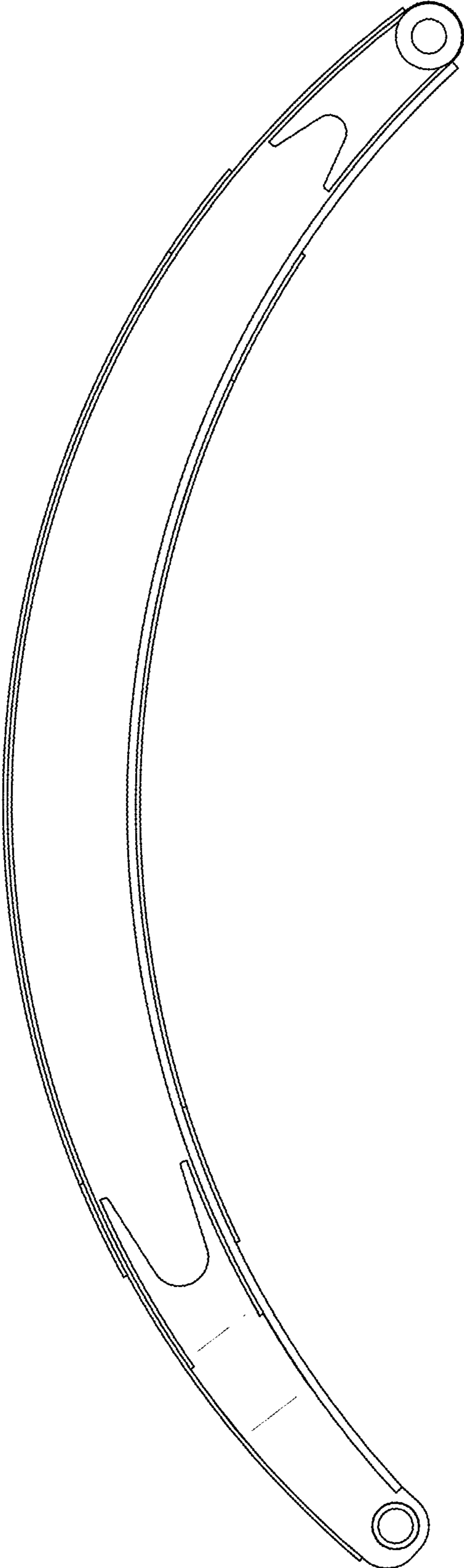
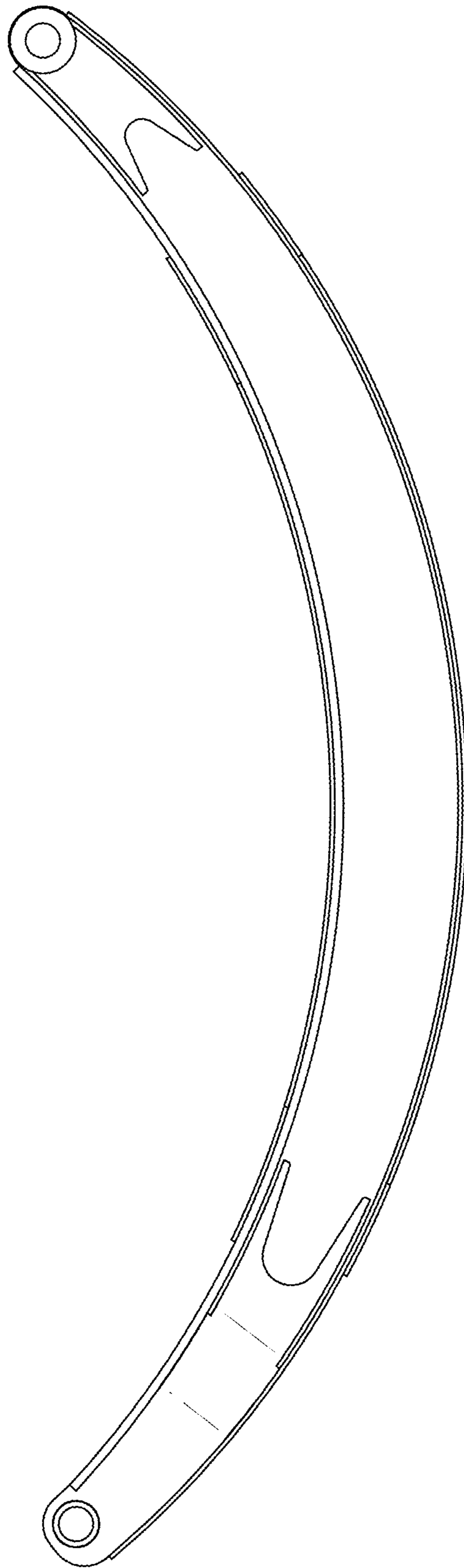
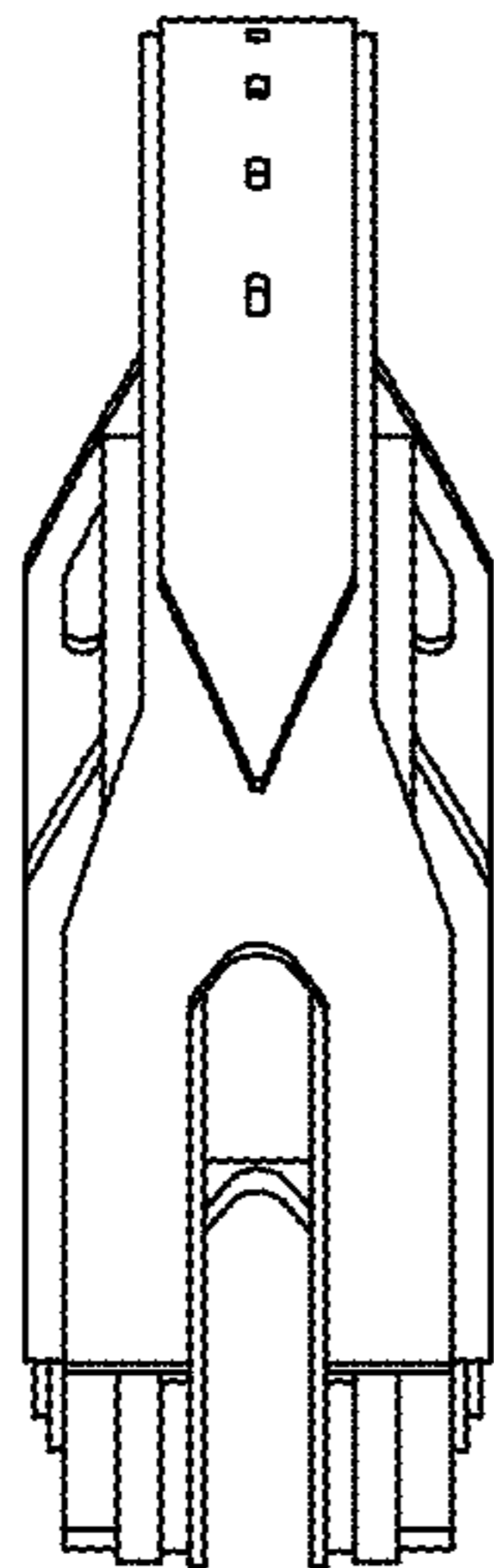


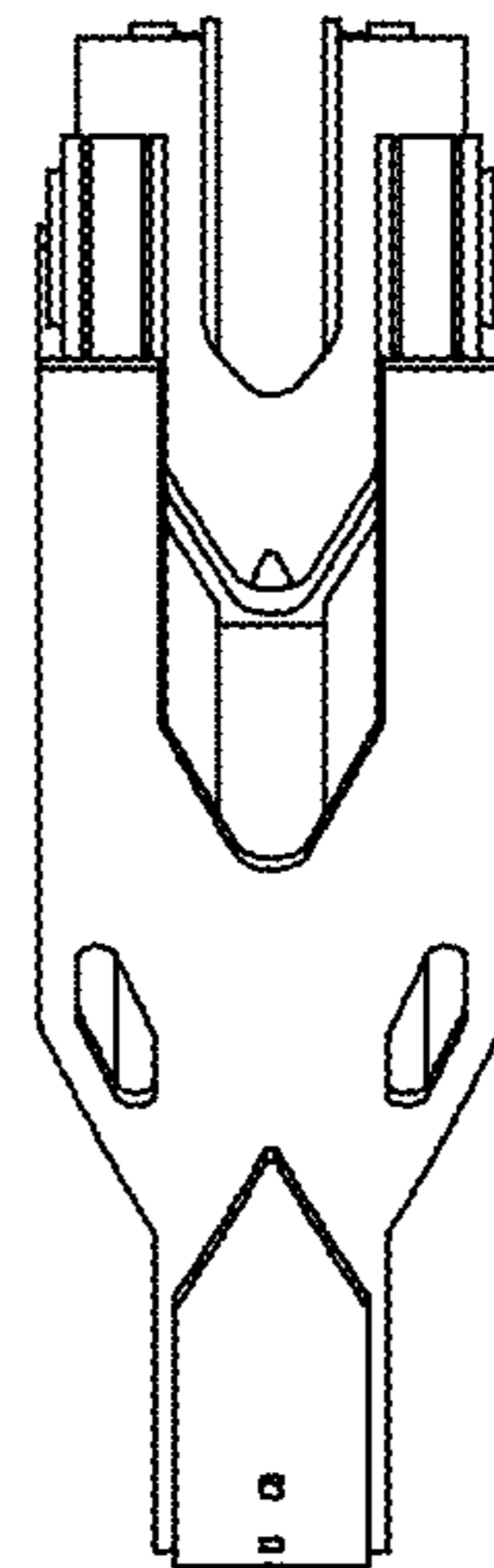
FIG. 5



**FIG. 6**



**FIG. 7**



**FIG. 8**



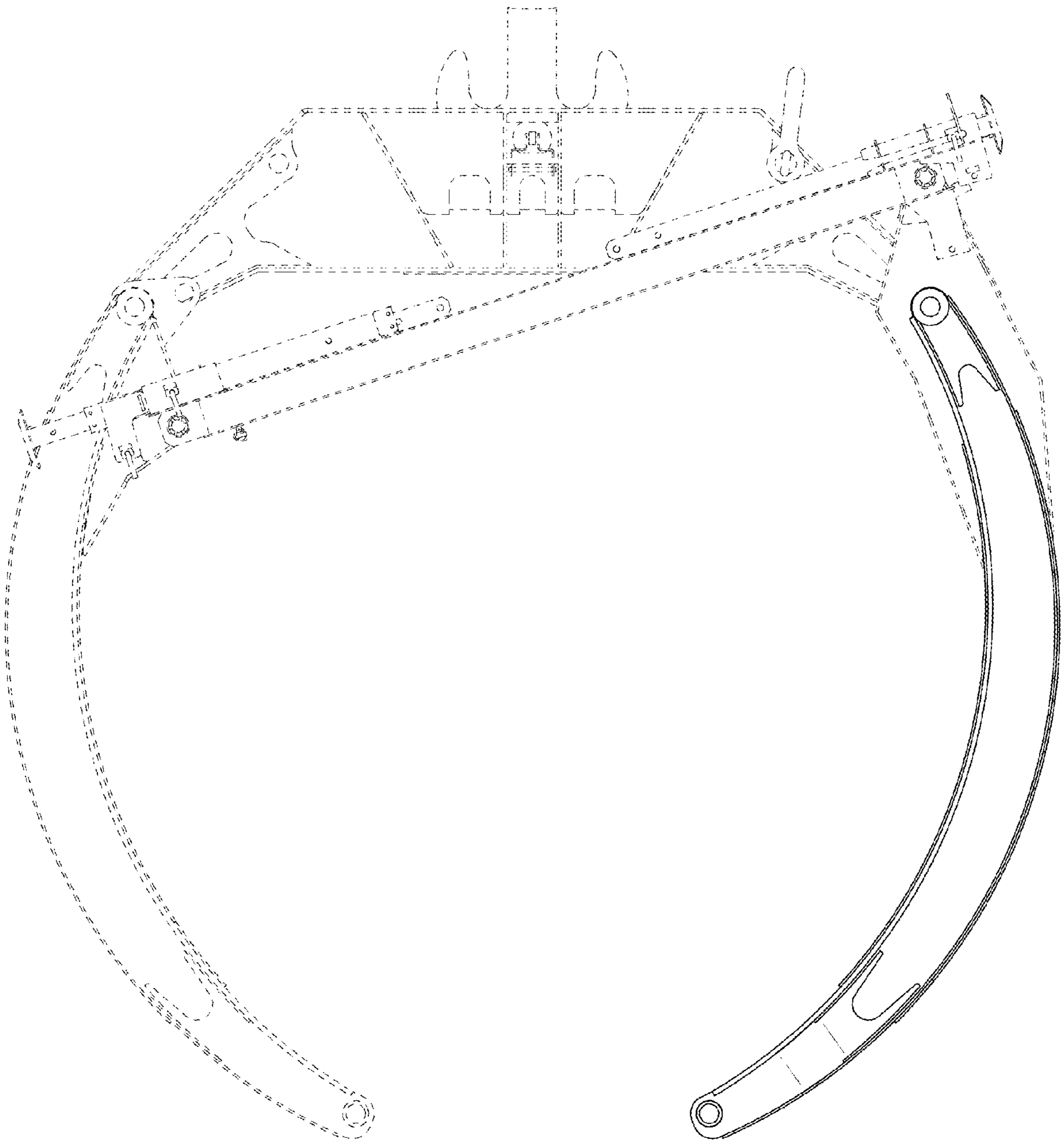


FIG. 9