

US00D967590S

(12) **United States Design Patent** (10) **Patent No.:** **US D967,590 S**
Goel (45) **Date of Patent:** **** Oct. 18, 2022**

(54) **WHEELED PLATFORM CARRIER**
(71) Applicant: **rectanglo.com**, Austin, TX (US)
(72) Inventor: **Gaurav Goel**, Austin, TX (US)
(73) Assignee: **Texas Intelligent Integration LLC**,
Austin, TX (US)
(**) Term: **15 Years**
(21) Appl. No.: **29/652,896**
(22) Filed: **Jan. 1, 2021**
(51) **LOC (13) Cl.** **12-02**
(52) **U.S. Cl.**
USPC **D34/23**
(58) **Field of Classification Search**
USPC D34/23; D6/708; 280/79.3, 79.11, 47.24
CPC .. B62B 3/104; B62B 3/00; B62B 3/02; B62B
5/0093; B62B 2205/04; B62B 2205/104;
B60S 9/215; B60S 9/18; B62D 53/0864;
B60D 1/665; B65F 1/1473; B65F 1/1426;
B65F 1/1615
See application file for complete search history.

D427,406 S * 6/2000 Hartwall D34/12
D494,335 S * 8/2004 Oberg D34/23
D611,219 S * 3/2010 Banasik D34/23
7,871,046 B2 * 1/2011 Munro B65G 1/026
248/129
8,544,859 B2 * 10/2013 Itmec B62B 5/0093
280/79.11
D735,510 S * 8/2015 Volz D6/708
D825,881 S * 8/2018 Cope D34/23
11,173,939 B2 * 11/2021 Hassell B62B 3/005
2004/0090029 A1 * 5/2004 Hardesty B62B 5/0083
280/79.11
2014/0021691 A1 * 1/2014 Buttazzoni B62B 3/007
280/79.11
2018/0127010 A1 * 5/2018 Stahl B62B 3/1476
2021/0300452 A1 * 9/2021 Dungan B62B 5/0086

* cited by examiner

Primary Examiner — Cynthia Ramirez
(74) *Attorney, Agent, or Firm* — Vinson & Elkins L.L.P.

(57) **CLAIM**

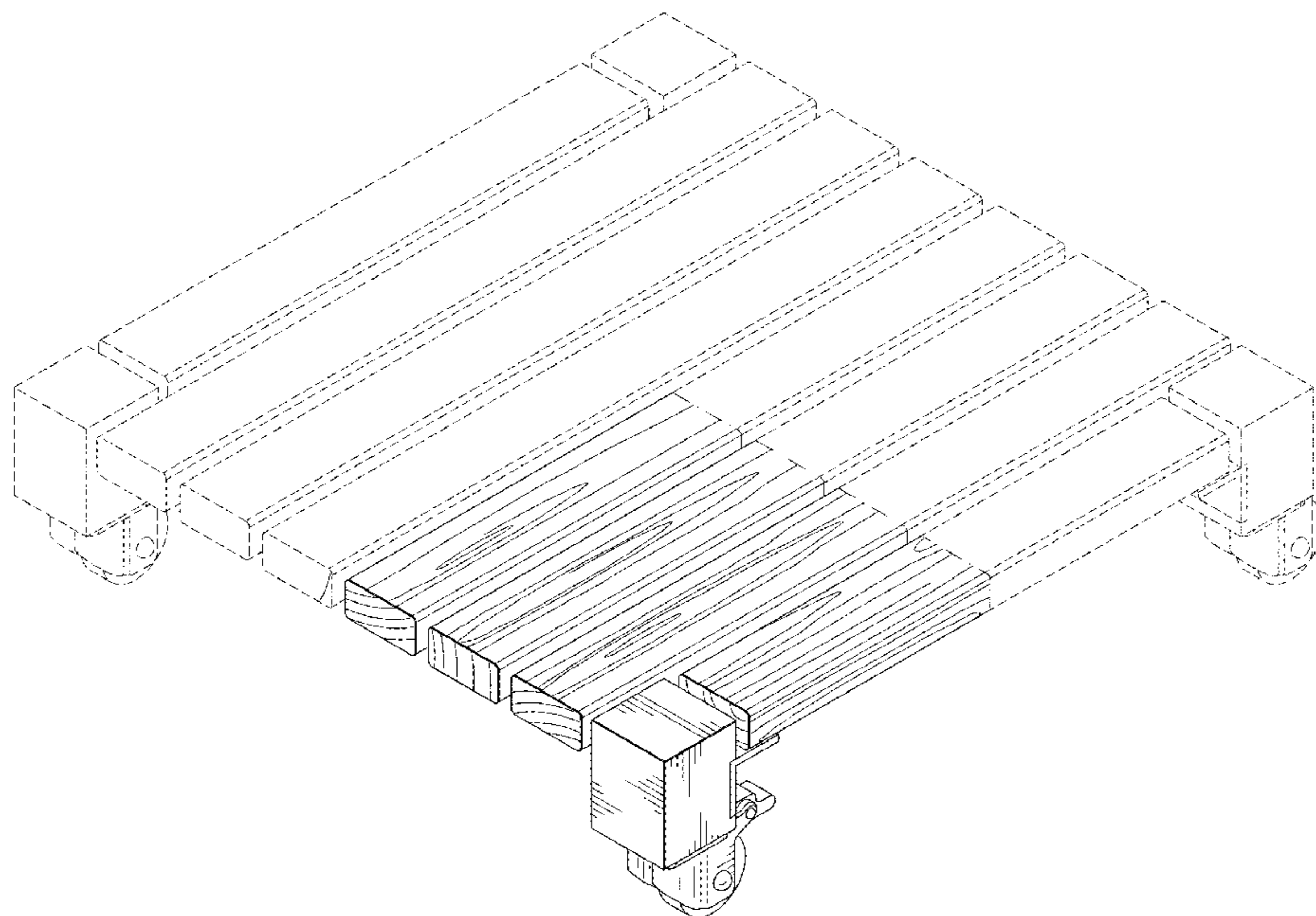
The ornamental design for a wheeled platform carrier, as shown and described.

DESCRIPTION

FIG. 1 is a front perspective view of a wheeled platform carrier showing my new design;
FIG. 2 is a rear elevational view thereof;
FIG. 3 is a front elevational view thereof;
FIG. 4 is a left side elevational view thereof;
FIG. 5 is a right side elevational view thereof;
FIG. 6 is a top plan view thereof;
FIG. 7 is a bottom plan view thereof; and,
FIG. 8 is a bottom perspective view thereof.
The broken lines in the figures are for the purpose of illustrating portions of the wheeled platform carrier that form no part of the claimed design.

1 Claim, 6 Drawing Sheets

(56) **References Cited**
U.S. PATENT DOCUMENTS
1,668,379 A * 5/1928 Radvanyi B25H 5/00
280/32.6
3,208,768 A * 9/1965 Hulbert B60D 1/481
280/408
4,720,115 A * 1/1988 Rehrig B60B 33/0002
108/56.1
4,822,066 A * 4/1989 Rehrig B60B 33/0002
108/56.1
4,824,129 A * 4/1989 Rehrig B62B 5/0083
108/901
D340,562 S * 10/1993 Kean D34/12



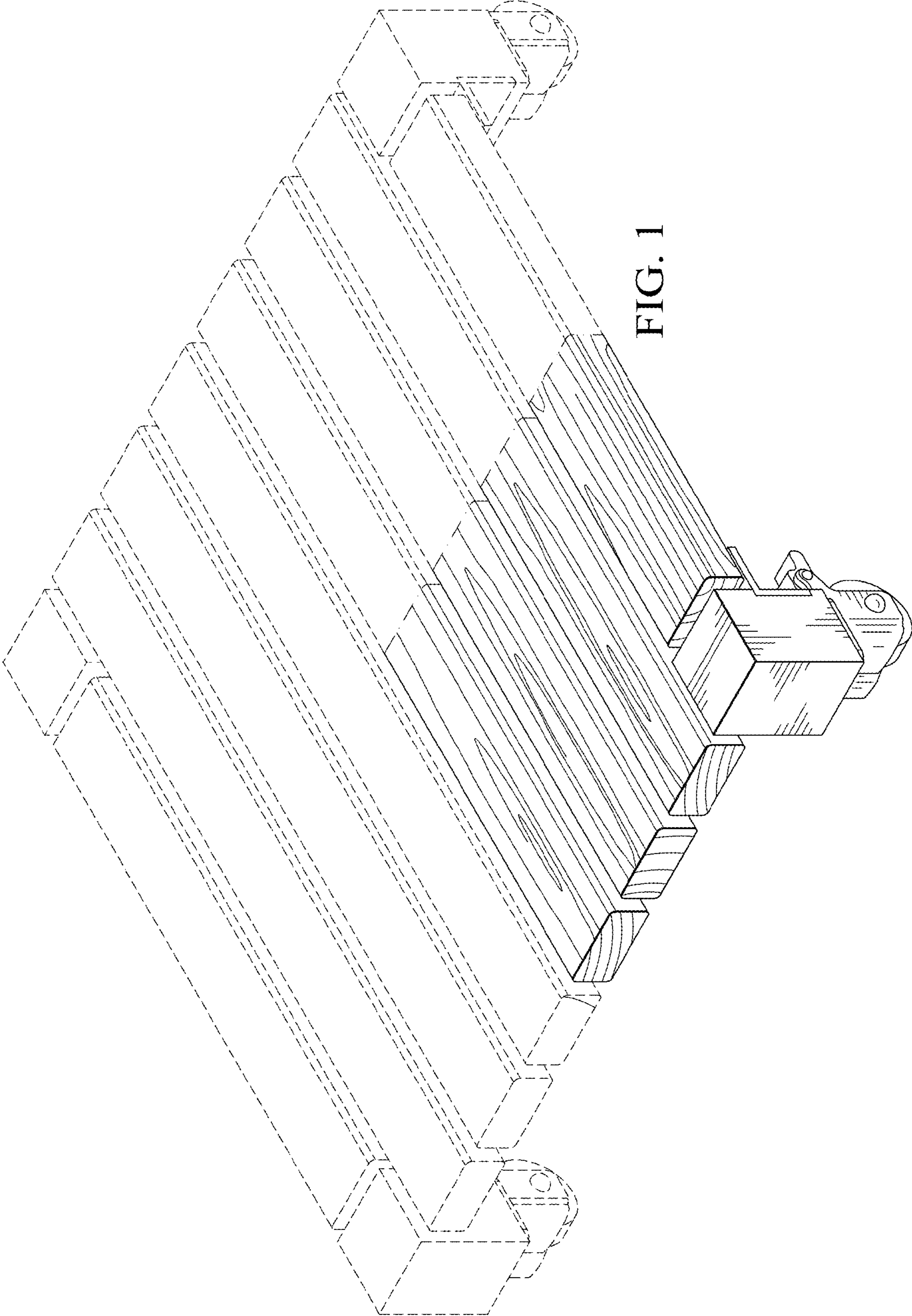


FIG. 1

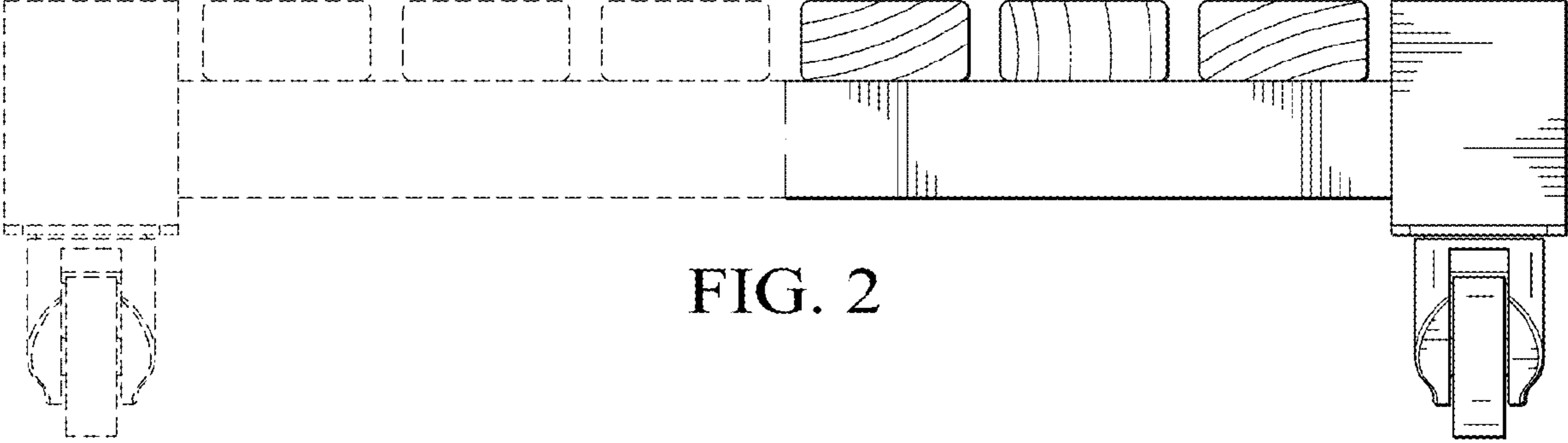


FIG. 2

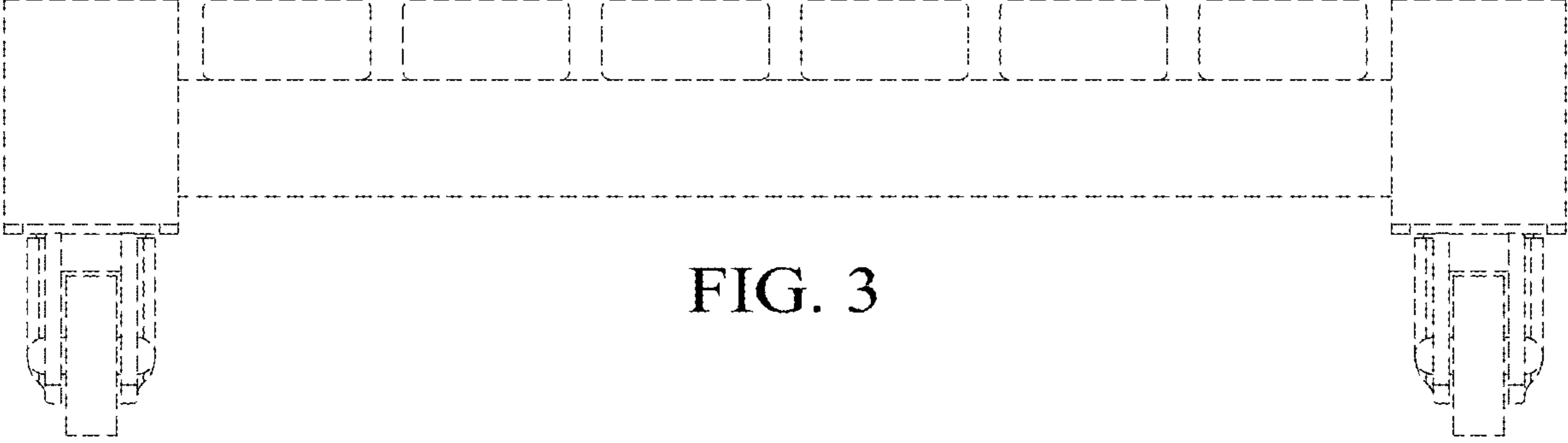


FIG. 3

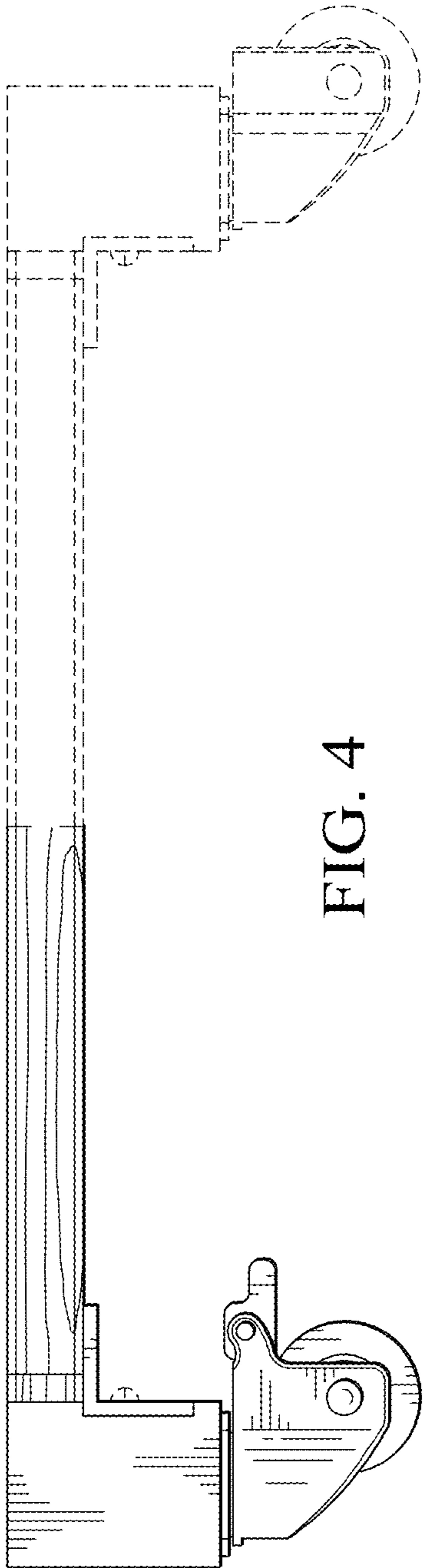


FIG. 4

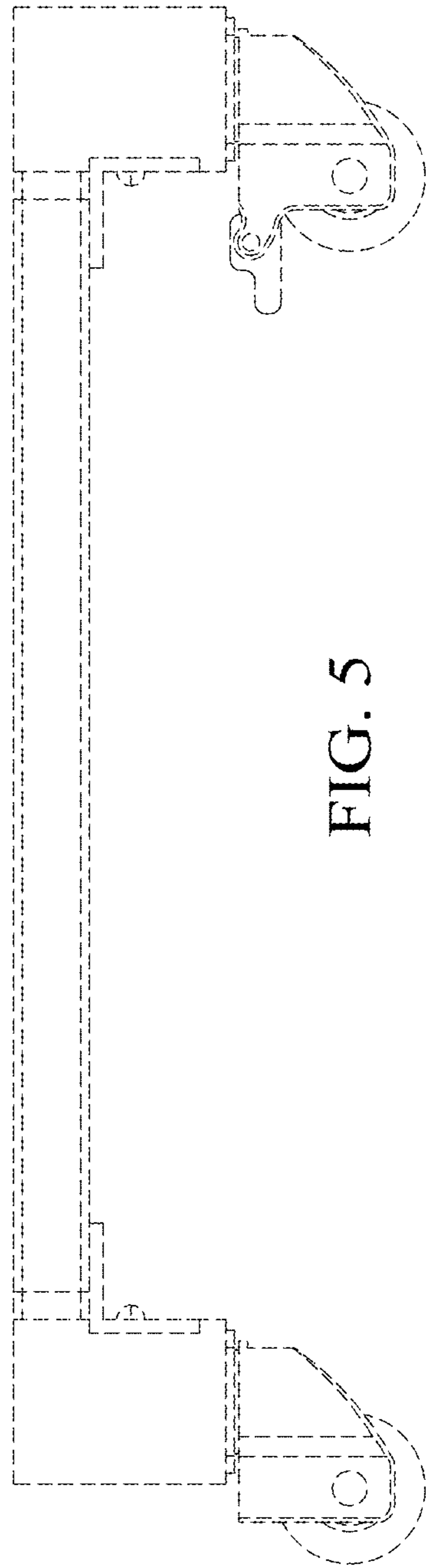


FIG. 5

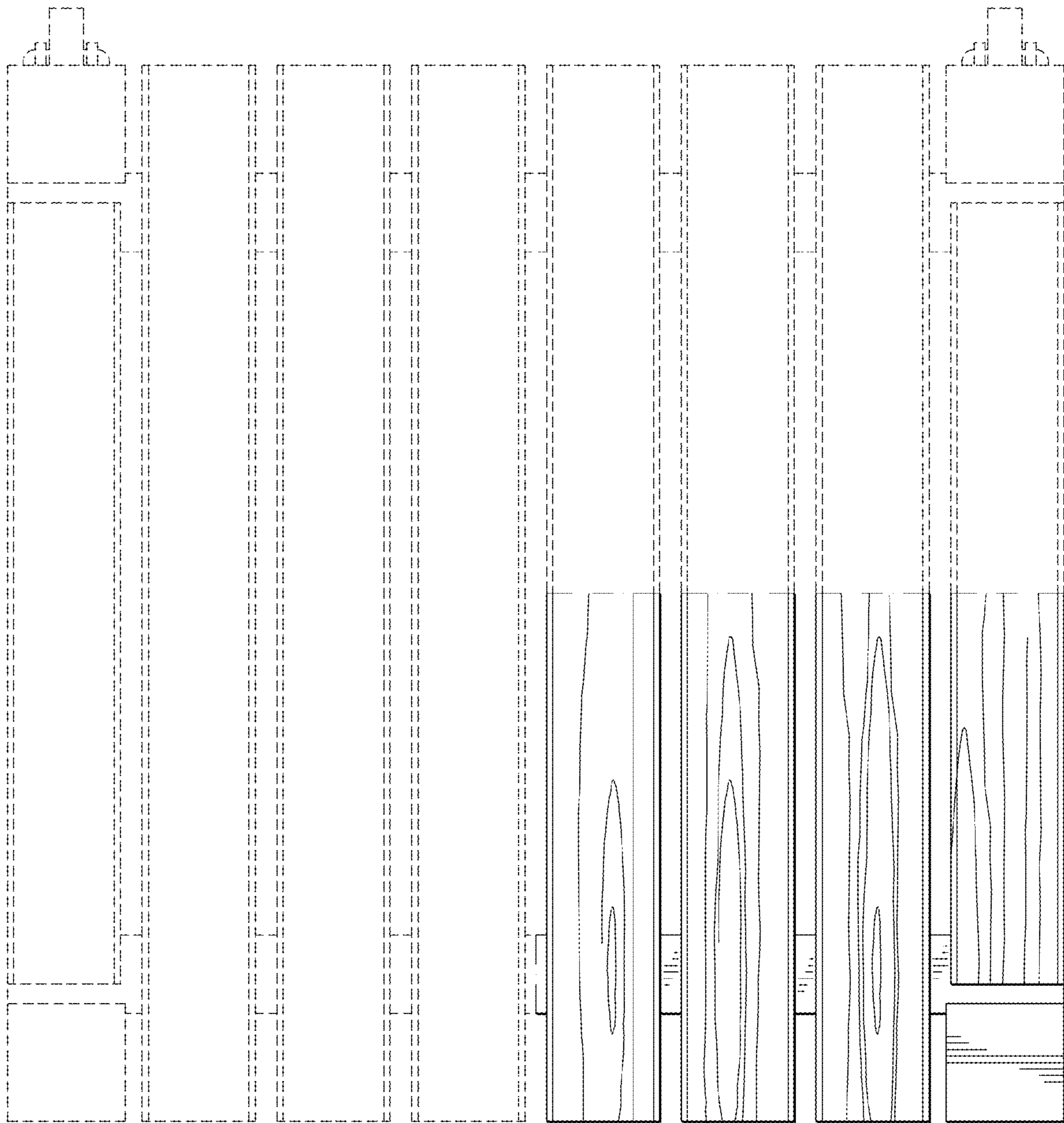


FIG. 6

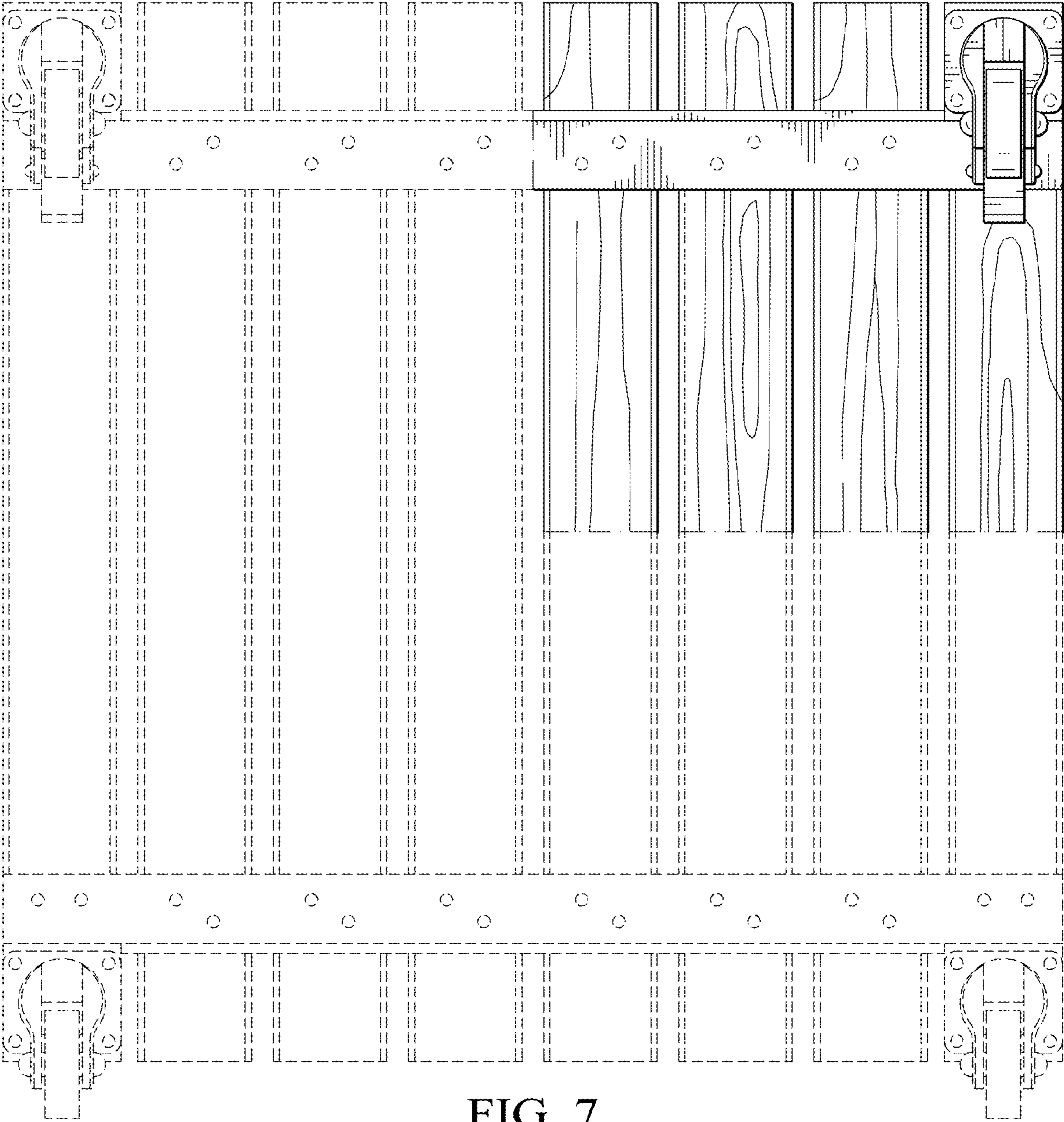


FIG. 7

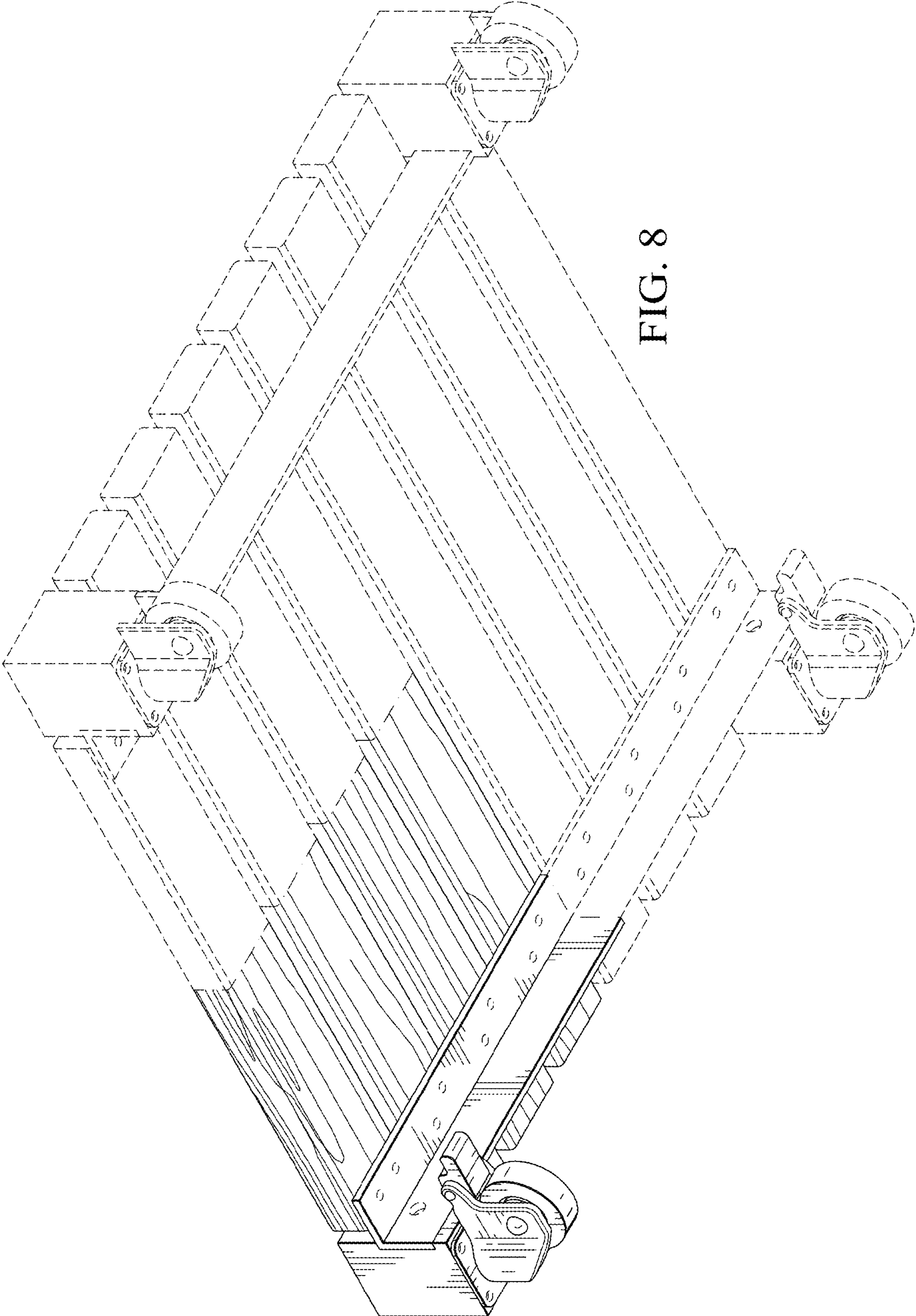


FIG. 8